



US00D395865S

United States Patent [19]

Powell et al.

[11] Patent Number: Des. 395,865

[45] Date of Patent: **Jul. 7, 1998

[54] **WINDSHIELD WIPER BLADE STRAIGHT ARM CONNECTOR**

[75] Inventors: **William Arthur Powell**, Winamac;
James Patrick Witek, Michigan City;
Richard Allen Herring, Granger; **Alan Jeffrey Stahlhut**, Valparaiso, all of Ind.

[73] Assignee: **Cooper Industries, Inc.**, Houston, Tex.

[**] Term: **14 Years**

5,606,765 3/1997 Ding 15/250.32
 5,611,103 3/1997 Lee 15/250.32
 5,618,124 4/1997 Chen 15/250.32 X
 5,632,059 5/1997 Lee 15/250.32

FOREIGN PATENT DOCUMENTS

329515 8/1989 European Pat. Off. 15/250.32
 2377302 9/1978 France 15/250.32
 3222891 12/1983 Germany 15/250.32
 611563 6/1979 Switzerland 15/250.32

OTHER PUBLICATIONS

Cooper Industries, Anco Division, "Heavy Duty Premium Wiper Blades —Removal", No. G86024 no date.
 Cooper Industries, Anco Division, "Removal of Installation Instructions —Anco Medium and Heavy Duty Windshield Wiper Arms" no date.
 Cooper Industries, Anco Division, "Anco Instructions —Removal —25-16 -25-24, 31-17, 31-19, 90-16 -90-22A." No. 85360A no date.
 Cooper Industries, Anco Division, "Anco Instructions —Installation —20-11, 33-18." No. 85374 (1995).

(List continued on next page.)

[21] Appl. No.: **65,148**

[22] Filed: **Jan. 22, 1997**

[51] **LOC (6) Cl.** **12-16**

[52] **U.S. Cl.** **D12/220**

[58] **Field of Search** **D12/220, 219;**
 15/250.05-250.07, 250.31-250.33, 250.351,
 250.361, 250.38-250.43

[56] References Cited

U.S. PATENT DOCUMENTS

D. 257,891 1/1981 Lee D12/220
 D. 353,358 12/1994 Lee D12/220
 3,408,680 11/1968 Heller 15/250.42
 3,641,614 2/1972 Newsome 15/250.32
 3,942,212 3/1976 Steger et al. 15/250.42
 4,023,232 5/1977 Smithers 15/250.32
 4,127,912 12/1978 Deibel et al. 15/250.42
 4,179,766 12/1979 Weiler et al. 15/250.32
 4,290,164 9/1981 van den Berg 15/250.32
 4,296,521 10/1981 Mower 15/250.32
 4,343,062 8/1982 van den Berg 15/250.32
 4,443,907 4/1984 Chamberlain 15/250.32
 4,578,839 4/1986 Nishikawa 15/250.32
 4,878,263 11/1989 Raymond 15/250.32
 5,070,573 12/1991 Journee et al. 15/250.32
 5,084,933 2/1992 Buechele 15/250.32
 5,136,748 8/1992 Naruke et al. 15/250.32
 5,168,597 12/1992 Schon et al. 15/250.32
 5,289,608 3/1994 Kim 15/250.32
 5,332,328 7/1994 Yang 403/154
 5,392,487 2/1995 Yang 15/250.32
 5,435,041 7/1995 Ho 15/250.32

Primary Examiner—James Gandy
Assistant Examiner—Stacia Sinuik
Attorney, Agent, or Firm—Fish & Richardson P.C.

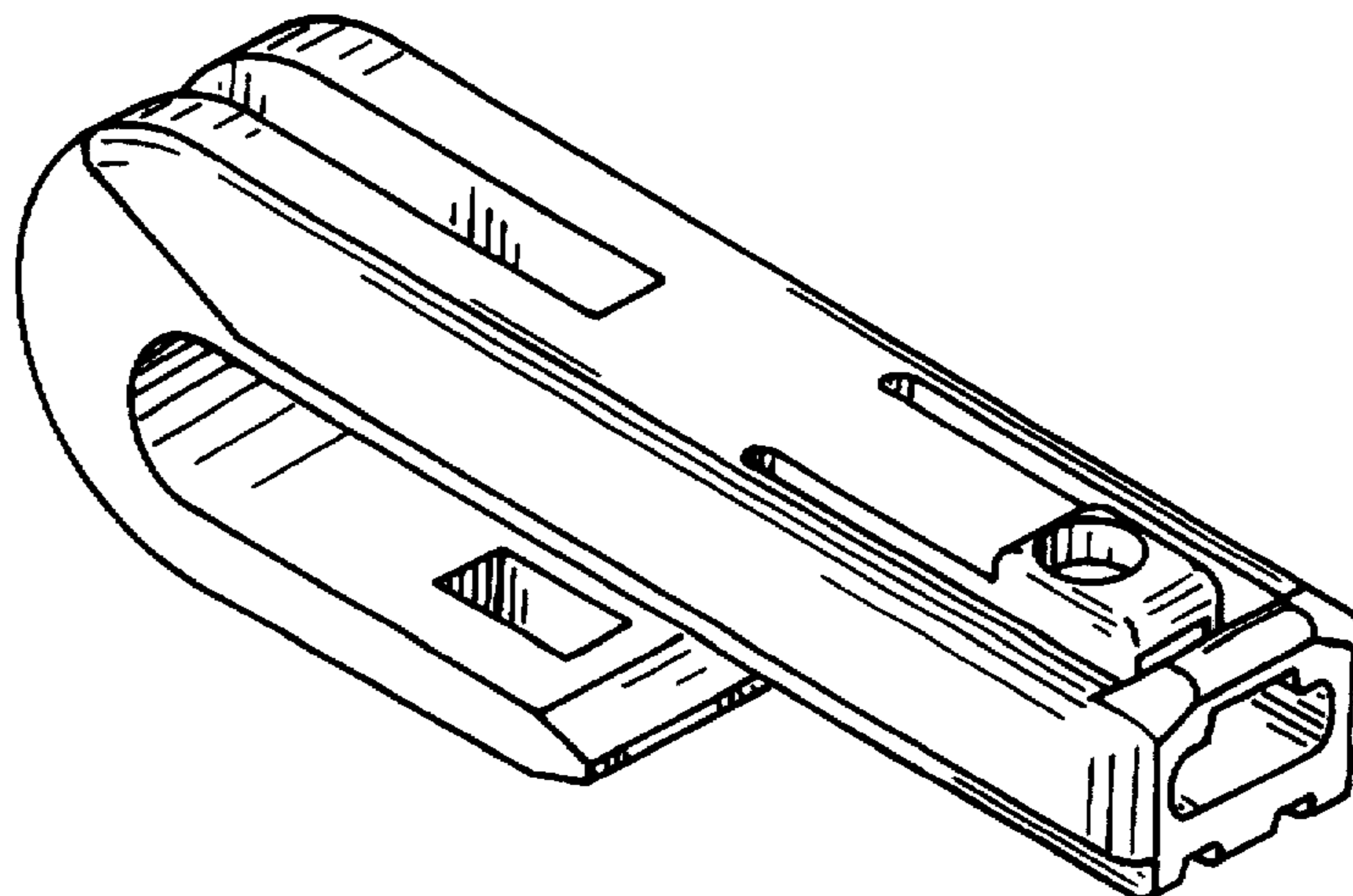
[57] CLAIM

The ornamental design for a windshield wiper blade straight arm connector, as shown and described.

DESCRIPTION

FIG. 1 is a perspective view of a windshield wiper blade straight arm connector showing our new design;
 FIG. 2 is an enlarged side elevation view thereof;
 FIG. 3 is an enlarged side elevation view thereof, opposite that shown in FIG. 2;
 FIG. 4 is an enlarged front elevation view thereof;
 FIG. 5 is an enlarged rear elevation view thereof;
 FIG. 6 is an enlarged top plan view thereof; and,
 FIG. 7 is an enlarged bottom plan view thereof.

1 Claim, 2 Drawing Sheets



OTHER PUBLICATIONS

- Cooper Industries, Anco Division, "Anco Instructions -Removal -22-18, 25-12, -25-15, 31-12." No. 85357A no date.
- Cooper Industries, Anco Division, "Adaptor Kit #2 -Installation -TY-16313." No. G86027 no date.
- Cooper Industries, Anco Division, "Heavy Duty Premium Wiper Blades -Installation." No. G86034 no date.
- Cooper Industries, Anco Division, "Instructions -Removal -Installation -N-16R -N-21R" (1994).
- Cooper Industries, Anco Division, "Anco Instructions -Removal -Pin In Arm -Hookslot Arm." No. G85441 no date.
- Cooper Industries, Anco Division, "Anco Instructions -Installation -25-16 -24-24, 31-17, 31-19, 90-16 -90-22A." No. 85360A no date.
- Cooper Industries, Anco Division, "Instructions -T Series -Removal -Installation." No. 86001 (1995).
- Cooper Industries, Anco Division, "Instructions -U15R -U24R -Removal -Installation." No. G85370B (1995).
- Cooper Industries, Anco Division, "Anco Instructions -29-16 -29-24, 30-15, -35-18 -Removal." No. 85359 no date.
- Cooper Industries, Anco Division, "Installation -17" and 18" Blade. 20" Blade." No. 85320 no date.
- Cooper Industries, Anco Division, "Anco Instructions -N-22R & N-24R -Removal." No. 85372A no date.
- Cooper Industries, Anco Division, "Anco Instructions -Removal -Pin in Arm -Hookslot Arm." No. G85441 no date.
- Cooper Industries, Anco Division, "Rainy Day Instructions -RD816 -RD819 -Removal." No. 85393 no date.
- Cooper Industries, Anco Division, "Rainy Day Instructions -Removal -Installation -Anco Advantage & Trico, Tridon, Bosch II." No. 85363 (1994).
- Cooper Industries, Anco Division, "Pantograph Arms -1/4-28 Screw Shaft Arm -1/2 Inch and 5/8 Inch Serrated Drum Shaft Arm -Universal Adjustable Wiper Arms." No. 94121 (Mar. 1992).
- Cooper Industries, Anco Division, "Anco Instructions -Removal -20-11, 33-18." No. 85374 no date.
- Cooper Industries, Anco Division, "Anco Instructions -Installation -22-18, 25-12 -25-15, 31-12." No. 85357A (1995).
- Cooper Industries, Anco Division, "Anco Instructions -Removal -22-18, 22-20, 25-12 -25-15, 31-12." No. 85357B no date.
- Cooper Industries, Anco Division, "Anco Instructions -Installation -22-18, 22-20, 25-12 -25-15, 31-12." No. 85357B no date.
- Cooper Industries, Anco Division, "Anco Instructions -Installation -29-16 -29-24, 30-15 -30-18." No. 85359 no date.
- Cooper Industries, Anco Division, "Instructions -N Series -Removal -Installation." No. 86000 (1994).
- Cooper Industries, Anco Division, "Instructions -11-13-11-22 -Removal -Installation." No. 85365A (1994).
- Cooper Industries, Anco Division, "Installation -Audi, Saturn, Bosch, N-22R" (1994).
- Cooper Industries, Anco Division, "Rainy Day Instructions -Installation -RDB16 -RDB19." No. 85393 (1994).
- "Installation." No. V-5912-44 no date.
- Cooper Industries, Anco Division, "Heavy Duty Premium Wiper Blades -Installation -25-17, 31-17, 31-19, 90-17, 90-19." No. G86024 no date.
- Instructions for blade collar, straight arm, hook slot (7 or 9 mm), straight arm with screws, female arm (no pin) and male arm with 1/4" pin no date.
- Instructions for male arm with 3/16" diameter pin, straight arm, hook slot (7 or 9 mm), straight arm with screws, female arm (no pin), and male arm with 1/4" pin no date.
- NAPA Windshield Products, Instructions for removal and installation of wiper blades, No. 5674-6 (1993) (U.S. Pat. No. 4,127,912).
- Instructions for installation of small side pin attachment, large side pin attachment and hook attachment to World Class™ wiper blades no date.
- Tridon, instruction sheet regarding U.S. Patent Nos. 3,942, 212 and 3,408,680 no date.
- Tridon, instructions for All Season™ 15"-18"/380-460mm and 17"/430mm wiper blades no date.
- Instructions for Aerofoil wiper blades, #3083024 no date.
- NAPA Windshield Products, removal and installation instructions for 16" wiper blades, No. 5673-6 (Mar. 1993) (U.S. Patent No. 4,127,912).
- Instructions for 21"/540 mm-24"/610mm wiper blades no date.
- Lifetime Automotive Products, Tripledge™ Lifetime Wipers removal and installation instructions for hook arm, side saddle arm, pin arm and bayonet arm wiper blades no date.
- Removal and installation instructions for wiper blades, No. V-5912-27 (Nov. 1992).
- Removal instructions for wiper blades, No. V-6000-5 no date.
- Removal instructions for wiper blades, No. V-5912-27 no date.
- Instructions for installation of small side pin attachment, large side pin attachment and hook attachment to World Class™ wiper blades no date.
- Lifetime Automotive Products, Tripledge™ All Season Premium Silicone Wipers removal and installation instructions for side saddle arm, bayonet arm, pin arm and hook arm wiper blades no date.
- Instructions for installation of wiper blade onto wiper arm, No. V-6000-4 no date.
- Robert Bosch GmbH, Instructions for installation of wiper blades no date.

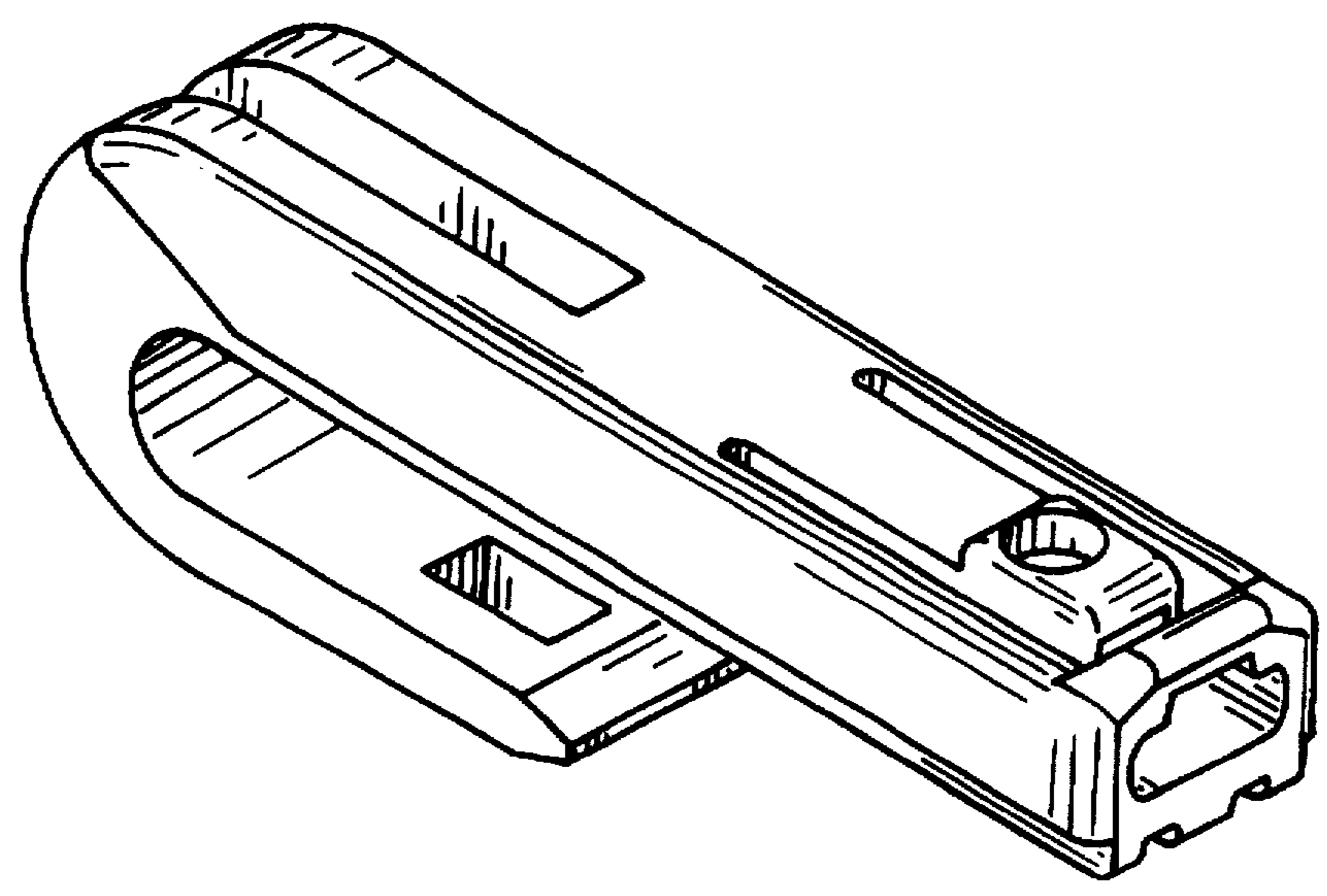


FIG. 1

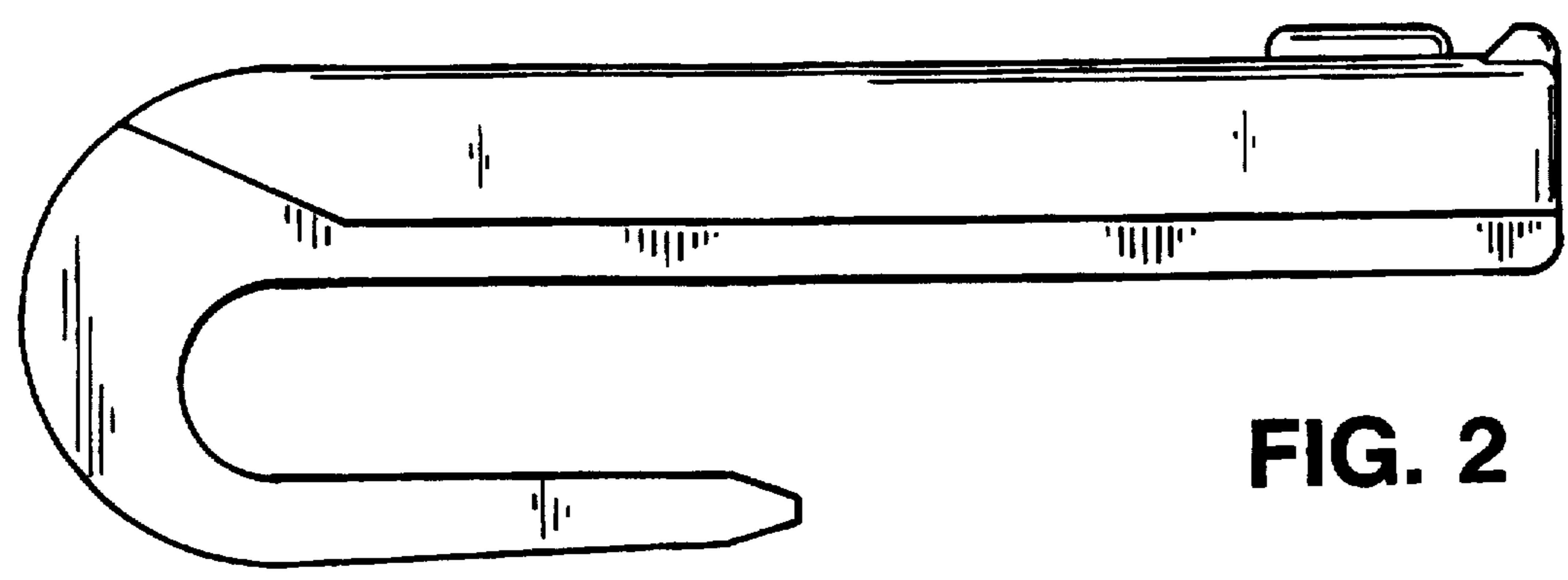


FIG. 2

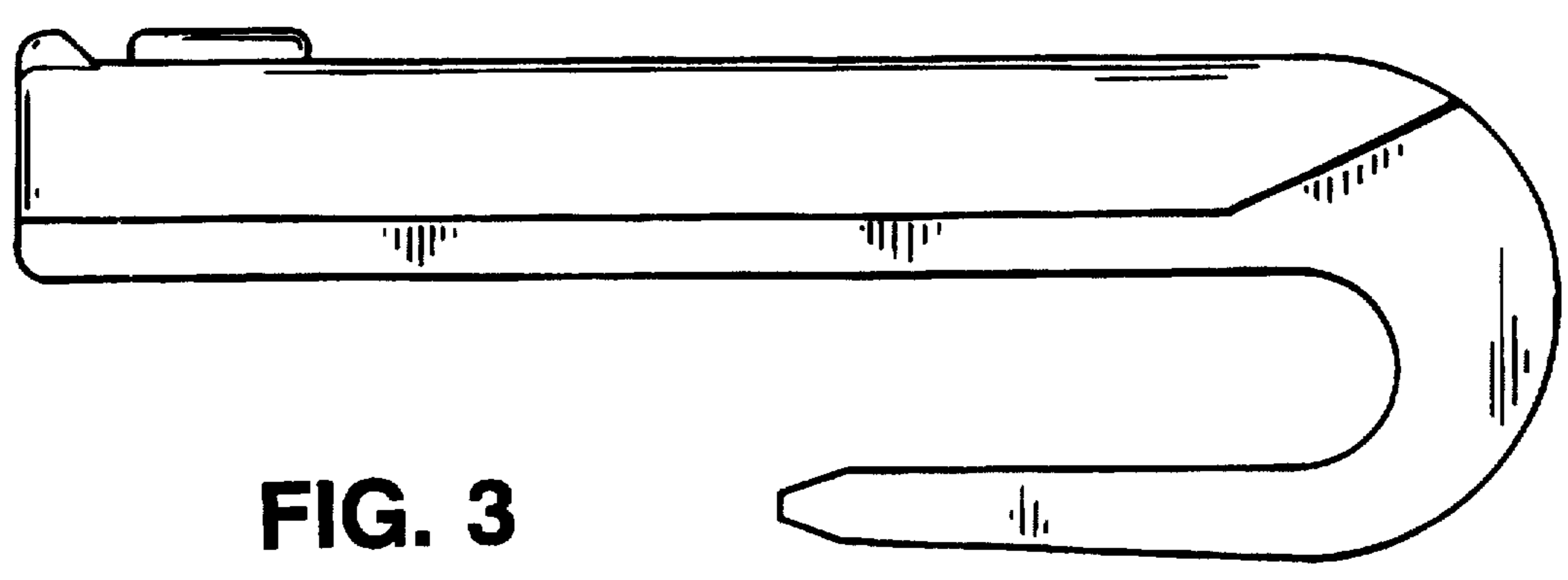


FIG. 3

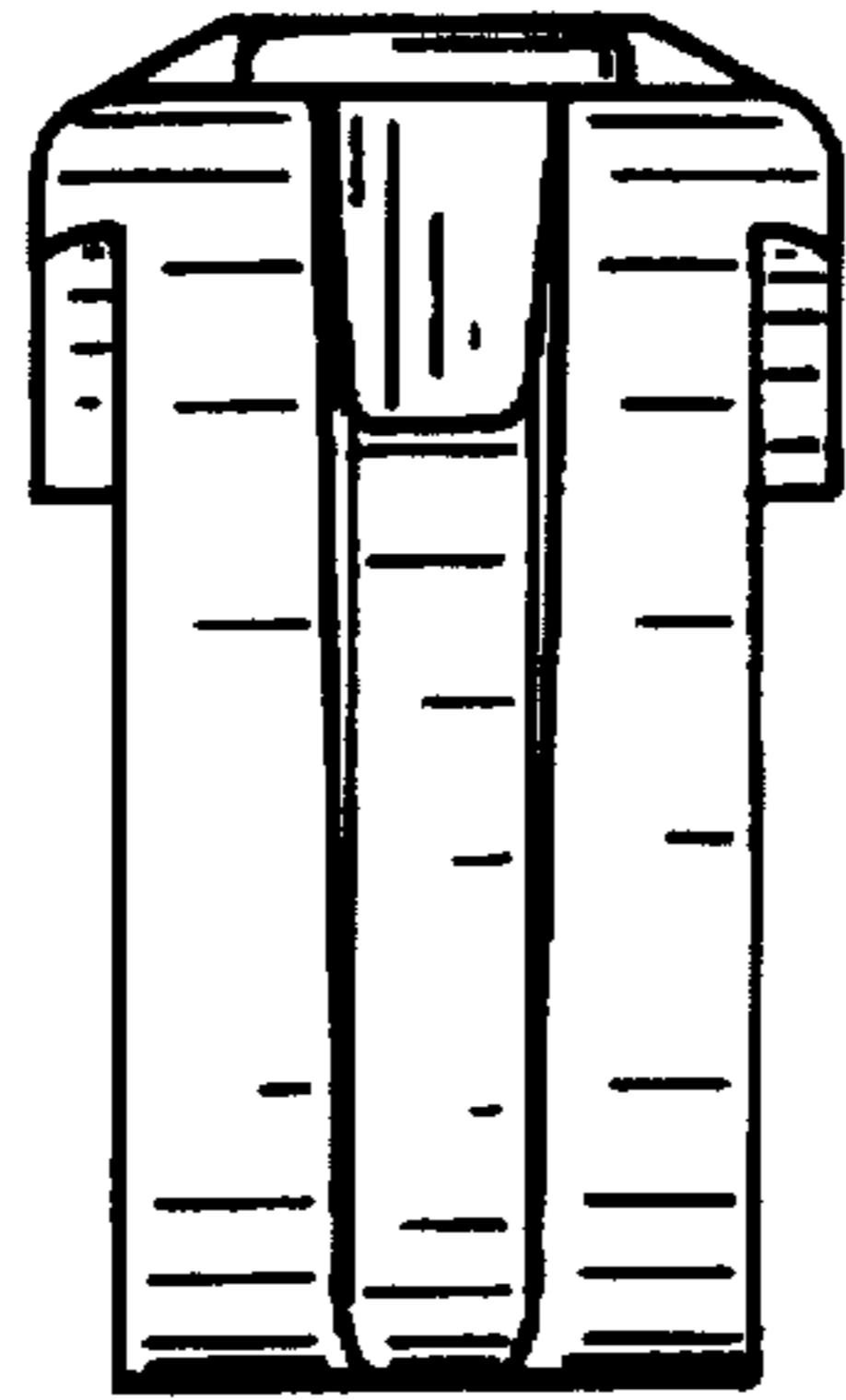


FIG. 5

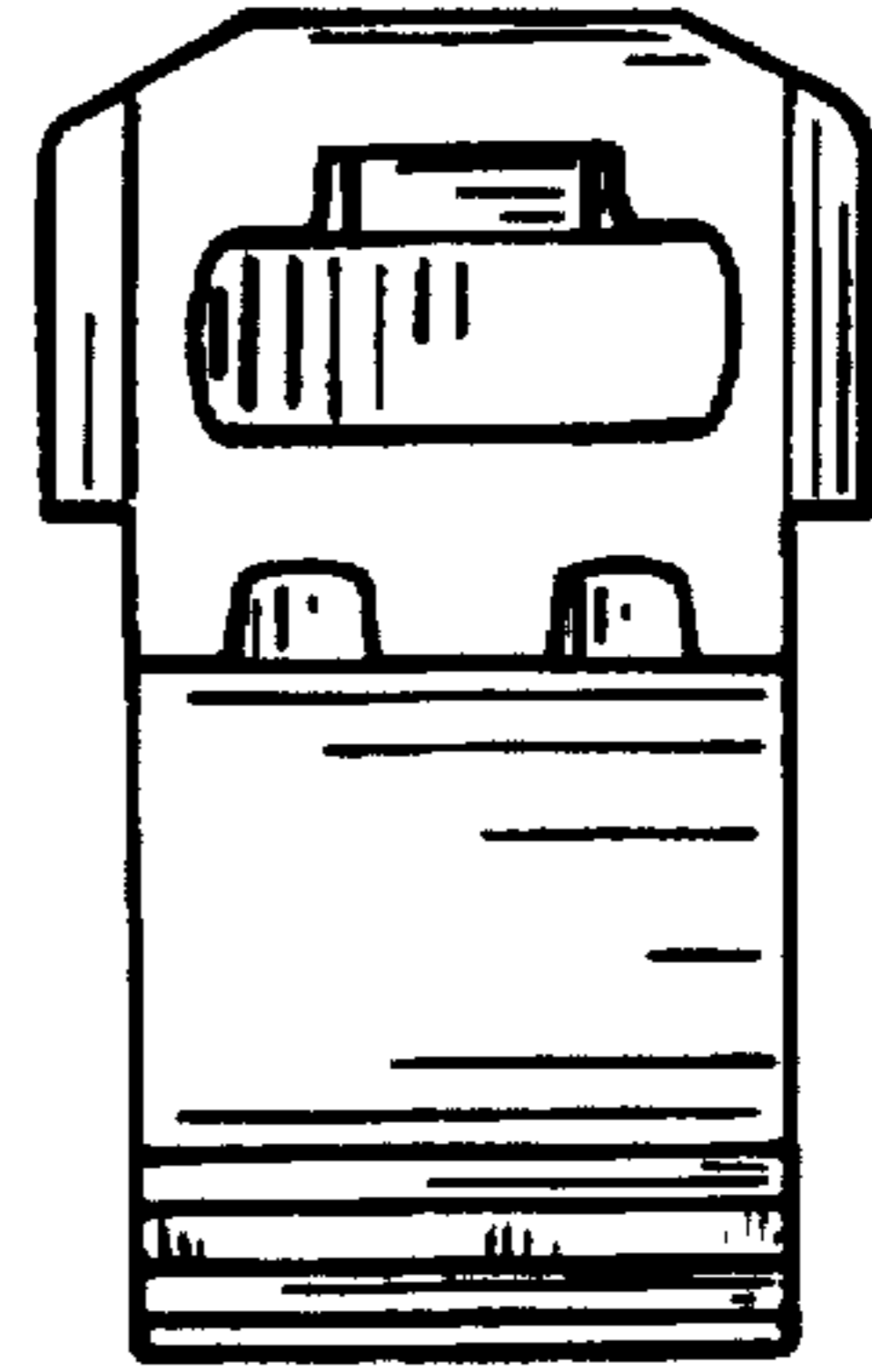


FIG. 4

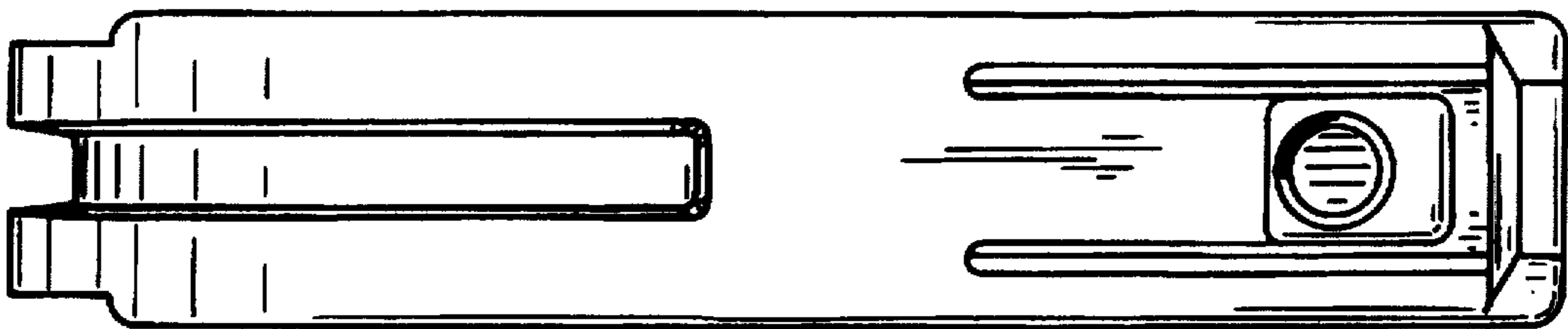


FIG. 6

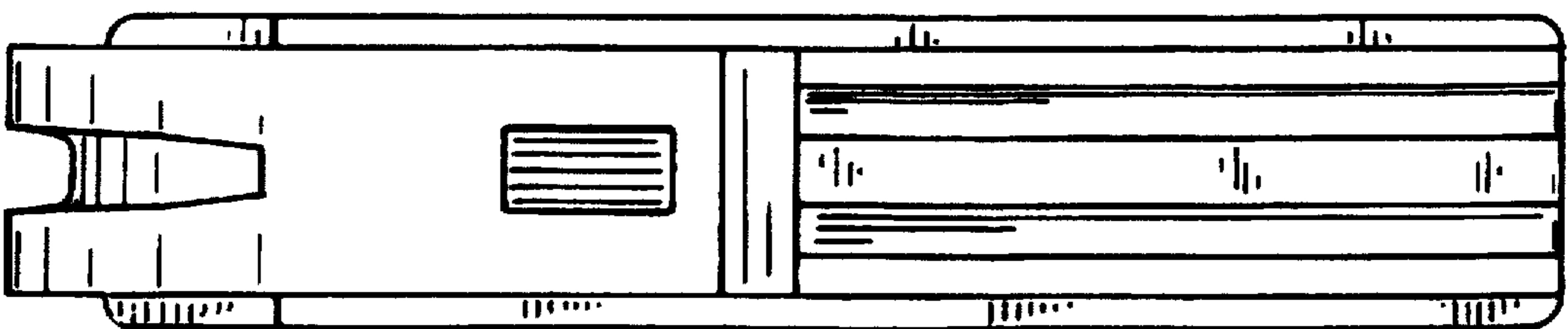


FIG. 7