



US00D395863S

United States Patent [19]

Sacco et al.

[11] Patent Number: **Des. 395,863**

[45] Date of Patent: ****Jul. 7, 1998**

[54] **FRONT FACE OF A VEHICLE WHEEL**

[75] Inventors: **Bruno Sacco**, Sindelfingen; **Peter Pfeiffer**, Boblingen, both of Germany

[73] Assignee: **Daimler-Benz AG**, Stuttgart, Germany

[**] Term: **14 Years**

[21] Appl. No.: **74,556**

[22] Filed: **Aug. 7, 1997**

[30] **Foreign Application Priority Data**

Feb. 7, 1997 [DE] Germany M 97 01 190.8

[51] **LOC (6) Cl.** **12-16**

[52] **U.S. Cl.** **D12/211**

[58] **Field of Search** D12/204-213;
301/64.1, 65, 37.1

[56] **References Cited**

U.S. PATENT DOCUMENTS

- D. 215,652 10/1969 Griffith D12/211
- D. 249,787 10/1978 Tanaka D12/205
- D. 361,976 9/1995 Echazabal D12/211
- D. 370,883 6/1996 Bhambra D12/209

- D. 377,471 1/1997 Stach D12/209
- D. 383,429 9/1997 Muzzarelli et al. D12/211
- D. 385,524 10/1997 Nagashima D12/209

OTHER PUBLICATIONS

Road & Track, p. 143. See "Cromodora CD774", Dec. 1995.

Primary Examiner—James Gandy

Assistant Examiner—Stacia Sinuik

Attorney, Agent, or Firm—Evenson McKeown Edwards & Lenahan, PLLC

[57] **CLAIM**

The ornamental design for a front face of a vehicle wheel, as shown and described.

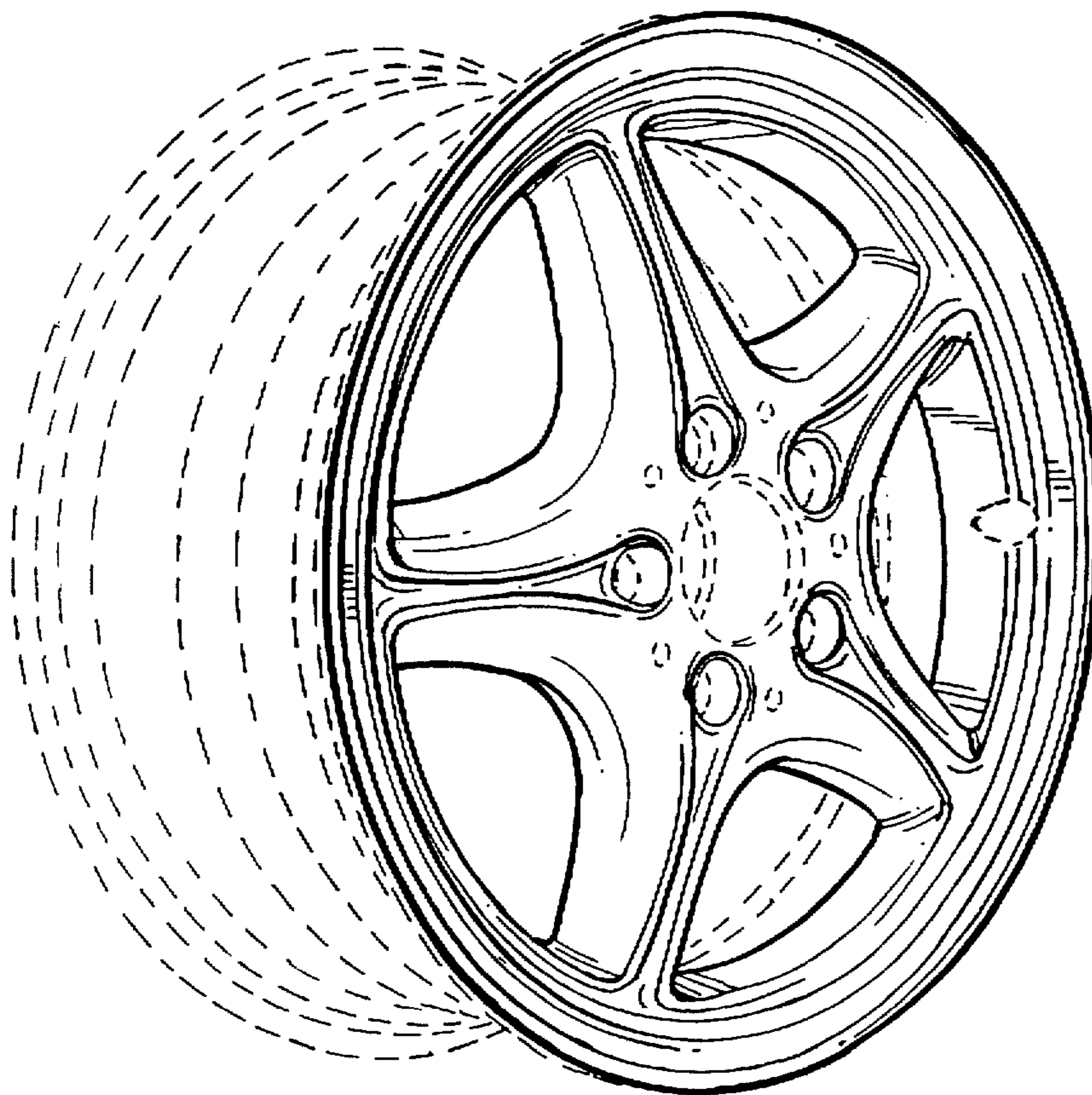
DESCRIPTION

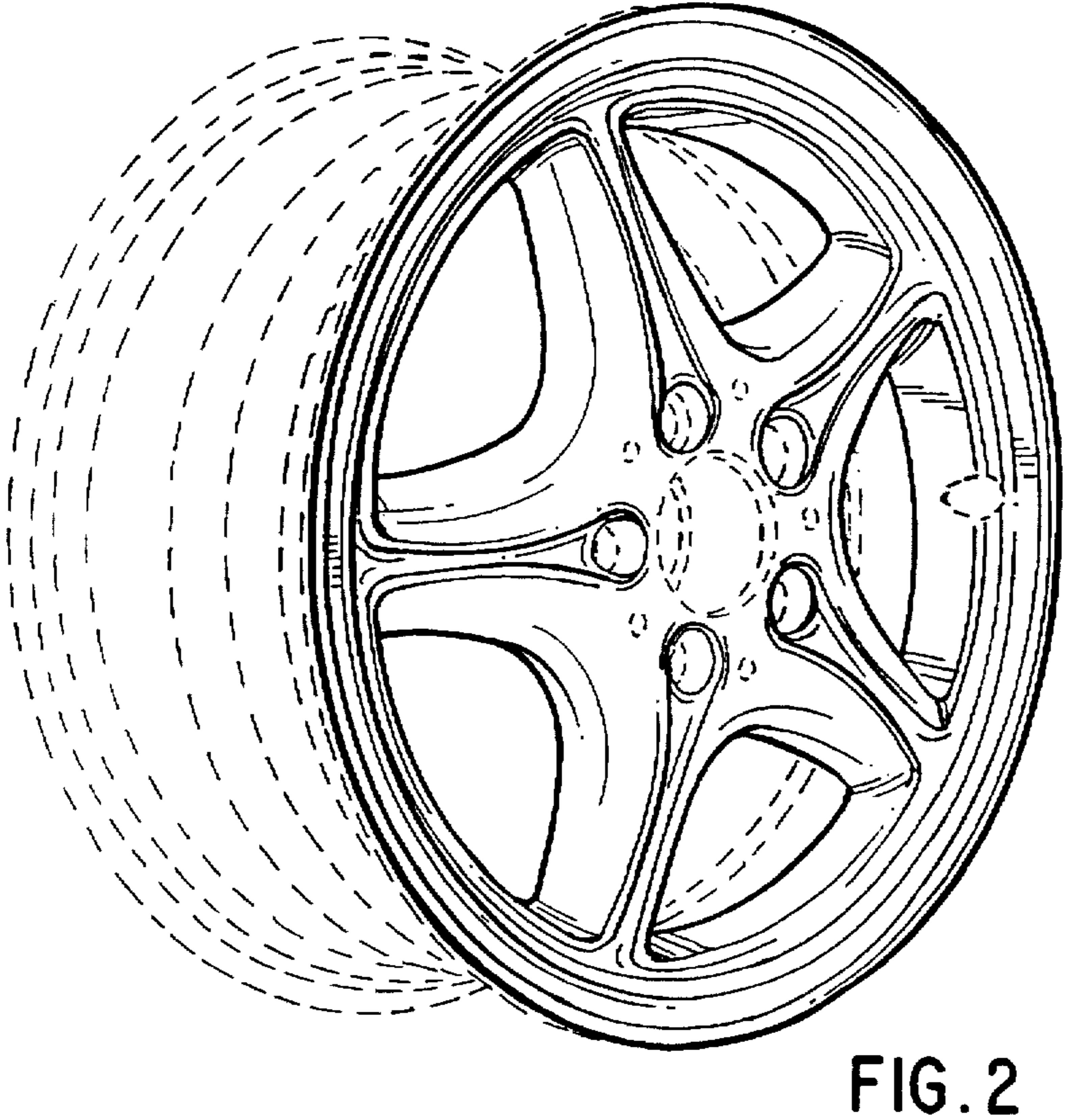
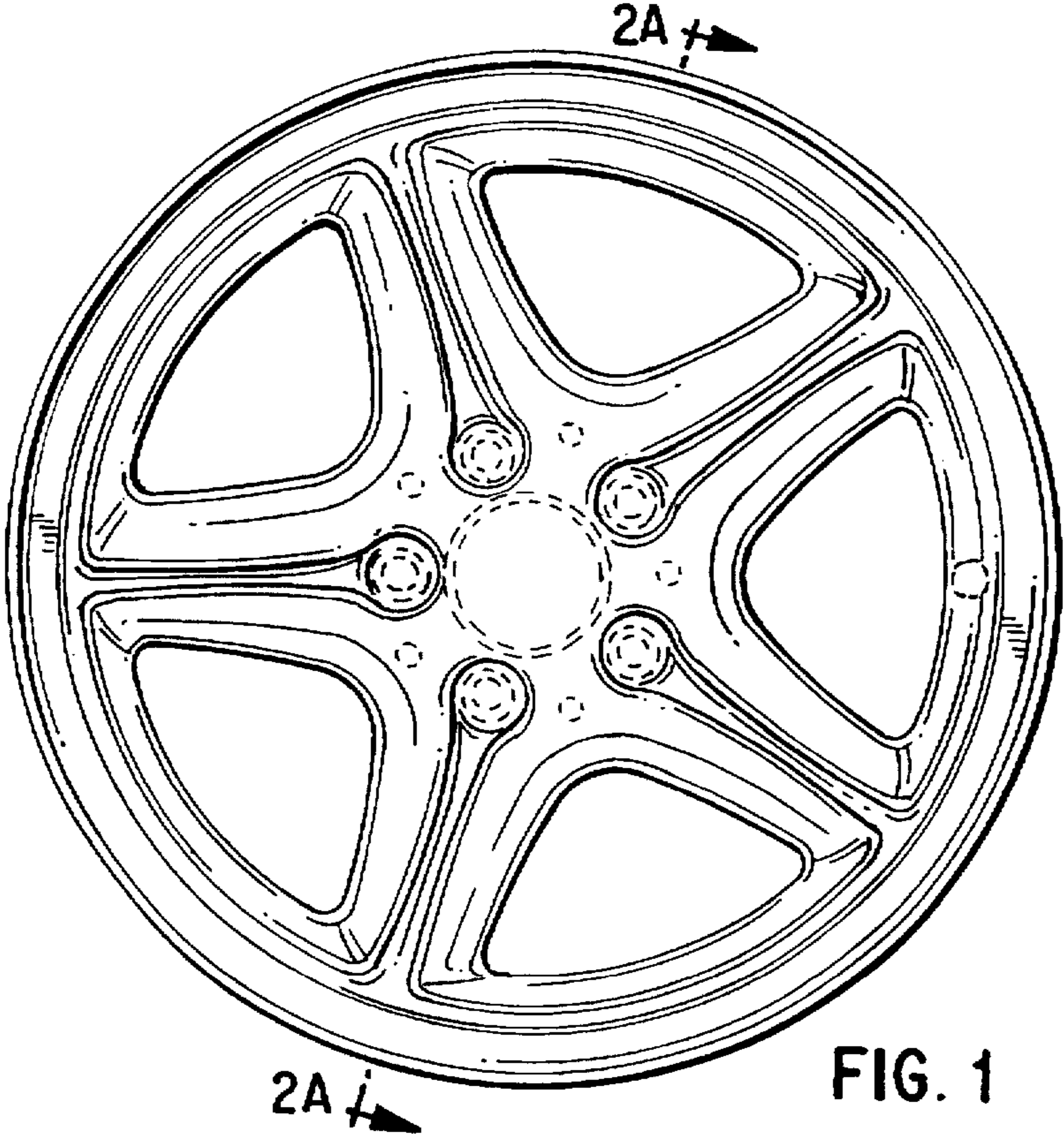
FIG. 1 is a front view of a front face of a vehicle wheel according to our novel design;

FIG. 2 is a perspective view of the front face of a vehicle wheel; and,

FIG. 3 is a section view taken along line 3—3 of FIG. 1. Features shown in dash lines depict the environment and do not form part of the claimed design.

1 Claim, 2 Drawing Sheets





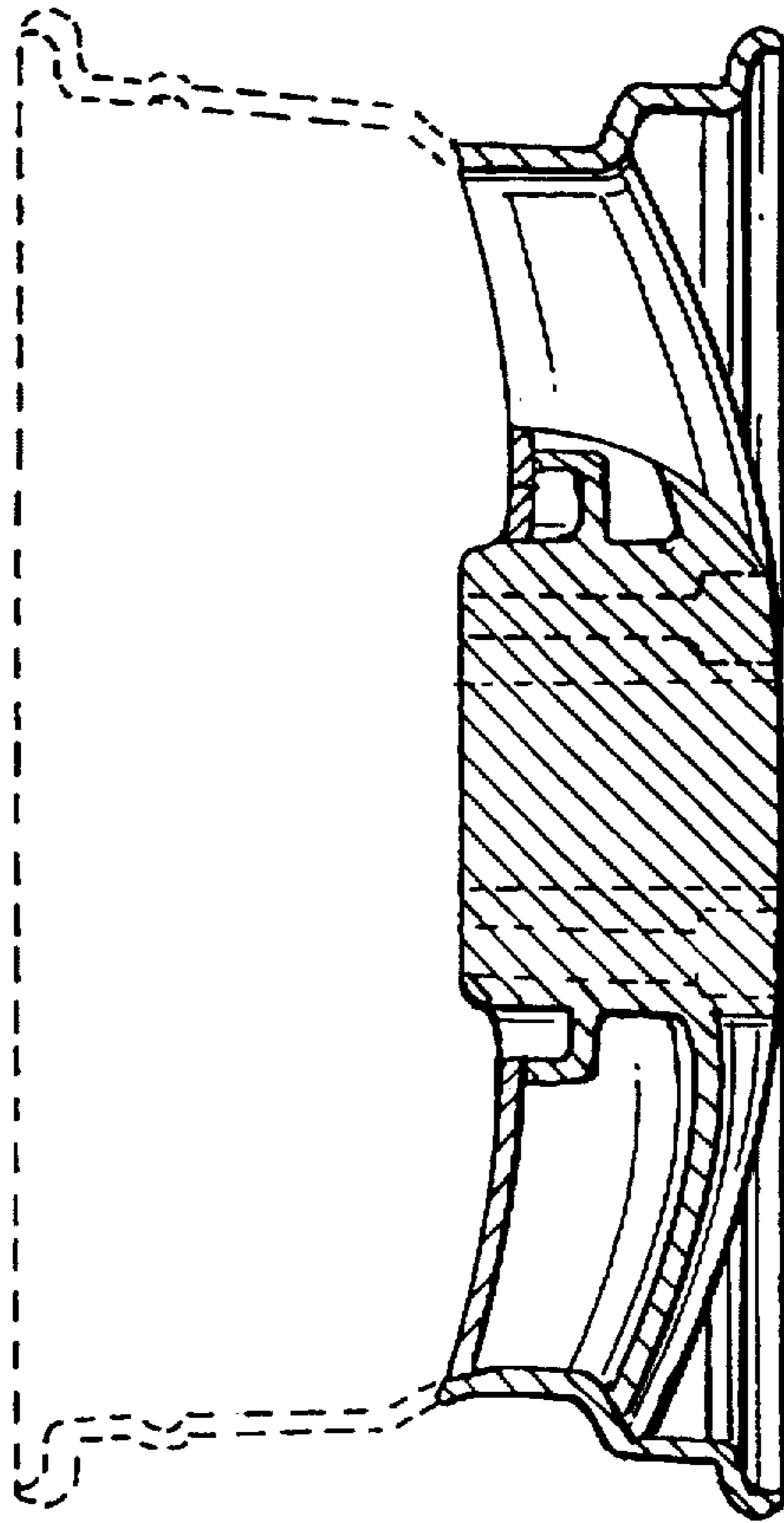


FIG. 3