

US00D395853S

United States Patent [19]
Luo

[11] **Patent Number:** **Des. 395,853**
[45] **Date of Patent:** ****Jul. 7, 1998**

[54] **AUXILIARY WALKER**

[76] **Inventor:** **Chung-I Luo**, 9F, No. 108, Kuan-Chian
E.Rd., Pan-Chiao City, Taipei Hsien,
Taiwan

[**] **Term:** **14 Years**

[21] **Appl. No.:** **76,845**

[22] **Filed:** **Sep. 23, 1997**

[51] **LOC (6) Cl.** **12-12**

[52] **U.S. Cl.** **D12/130**

[58] **Field of Search** **D12/128, 130;**
135/65, 74, 85, 67, 72, 73; 280/87.05, 647;
297/5, 6; 482/69

[56] **References Cited**

U.S. PATENT DOCUMENTS

- D. 344,917 3/1994 Kjell et al. D12/130
- D. 357,652 4/1995 Ahlbertz D12/130
- D. 360,174 7/1995 Kjell et al. D12/130
- D. 361,050 8/1995 Macmillan D12/130

- D. 367,833 3/1996 Ahlbertz D12/128
- D. 375,708 11/1996 Ahlbertz D12/130

Primary Examiner—Kay H. Chin

Attorney, Agent, or Firm—Beveridge, DeGrandi, Weilacher
& Young LLP

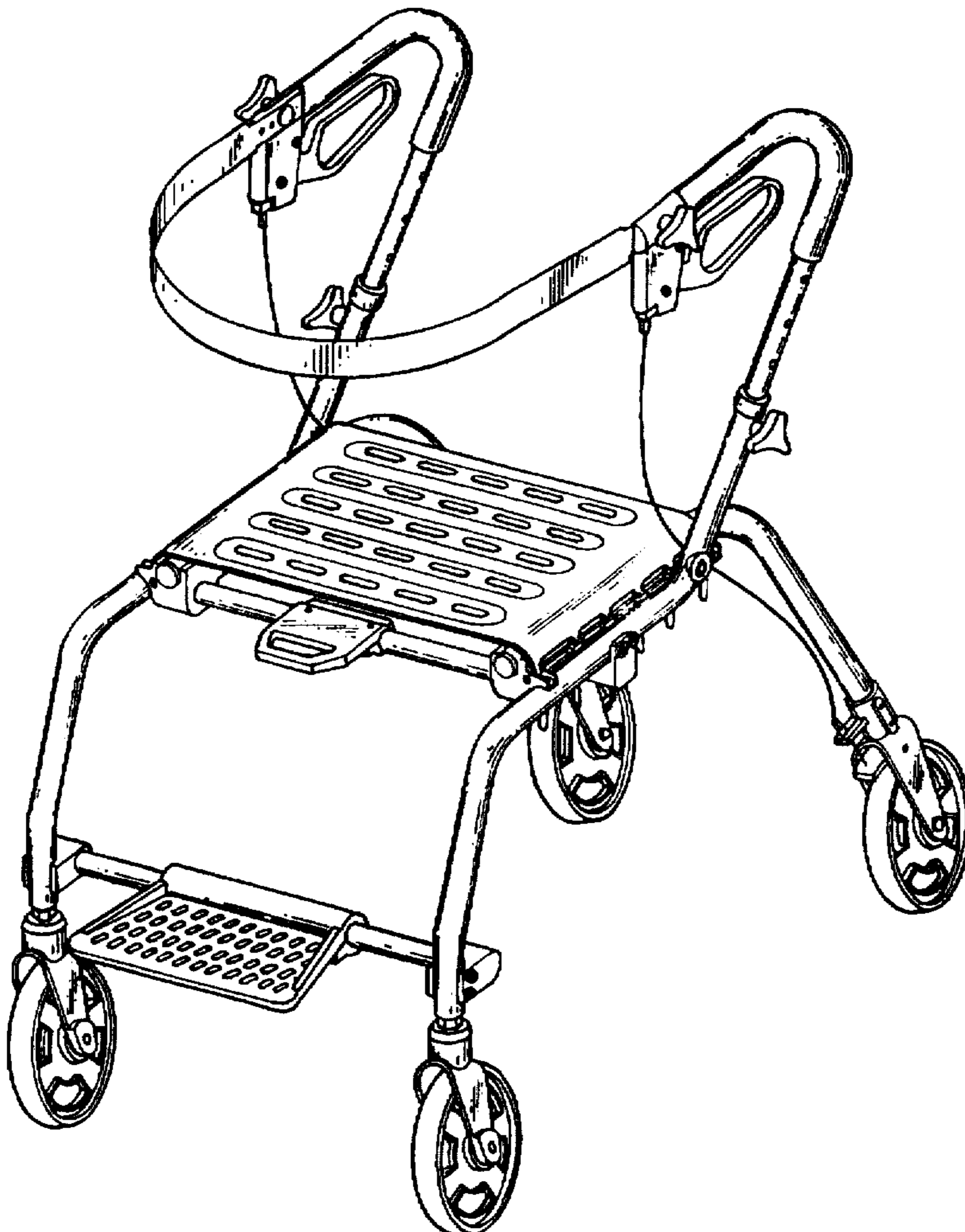
[57] **CLAIM**

The ornamental design for an auxiliary walker, as shown and described.

DESCRIPTION

FIG. 1 is a perspective view of an auxiliary walker showing my new design;
 FIG. 2 is a front elevation view thereof;
 FIG. 3 is a rear elevation view thereof;
 FIG. 4 is a left side elevation view thereof;
 FIG. 5 is a right side elevation view thereof;
 FIG. 6 is a top plan view thereof;
 FIG. 7 is a bottom plan view thereof; and,
 FIG. 8 is an illustration of auxiliary walker in the folded form.

1 Claim, 8 Drawing Sheets



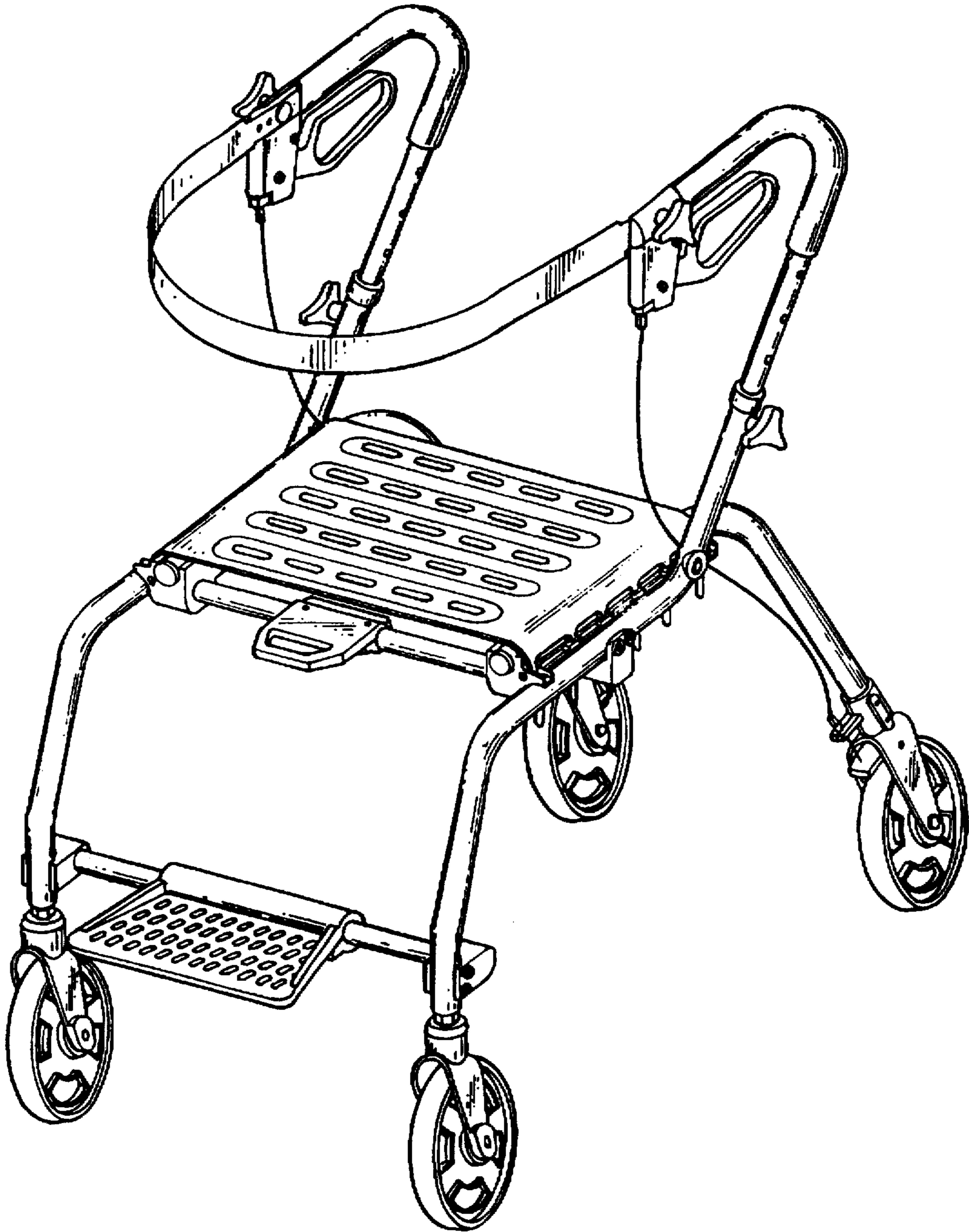


FIG. 1

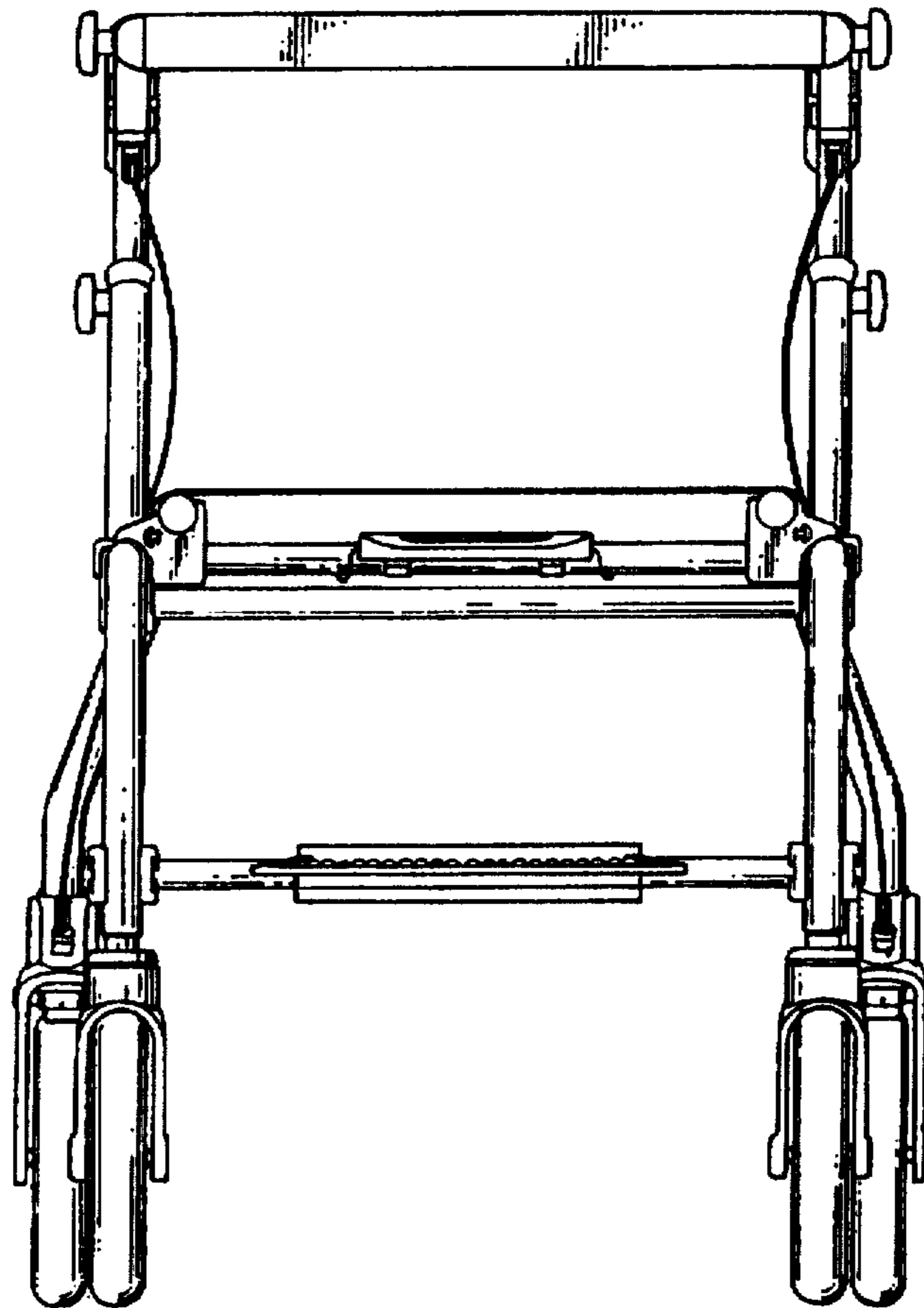


FIG. 2

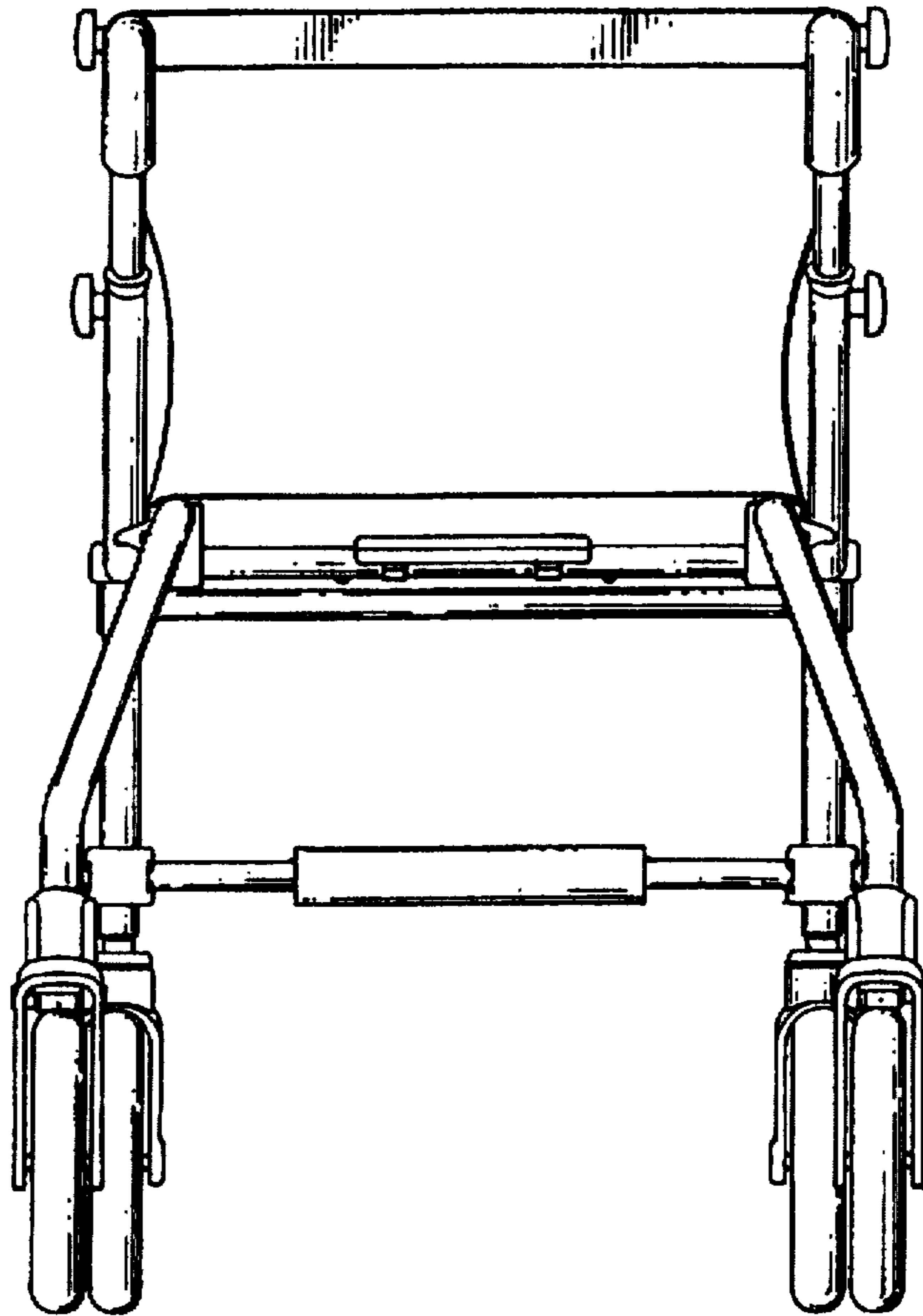


FIG. 3

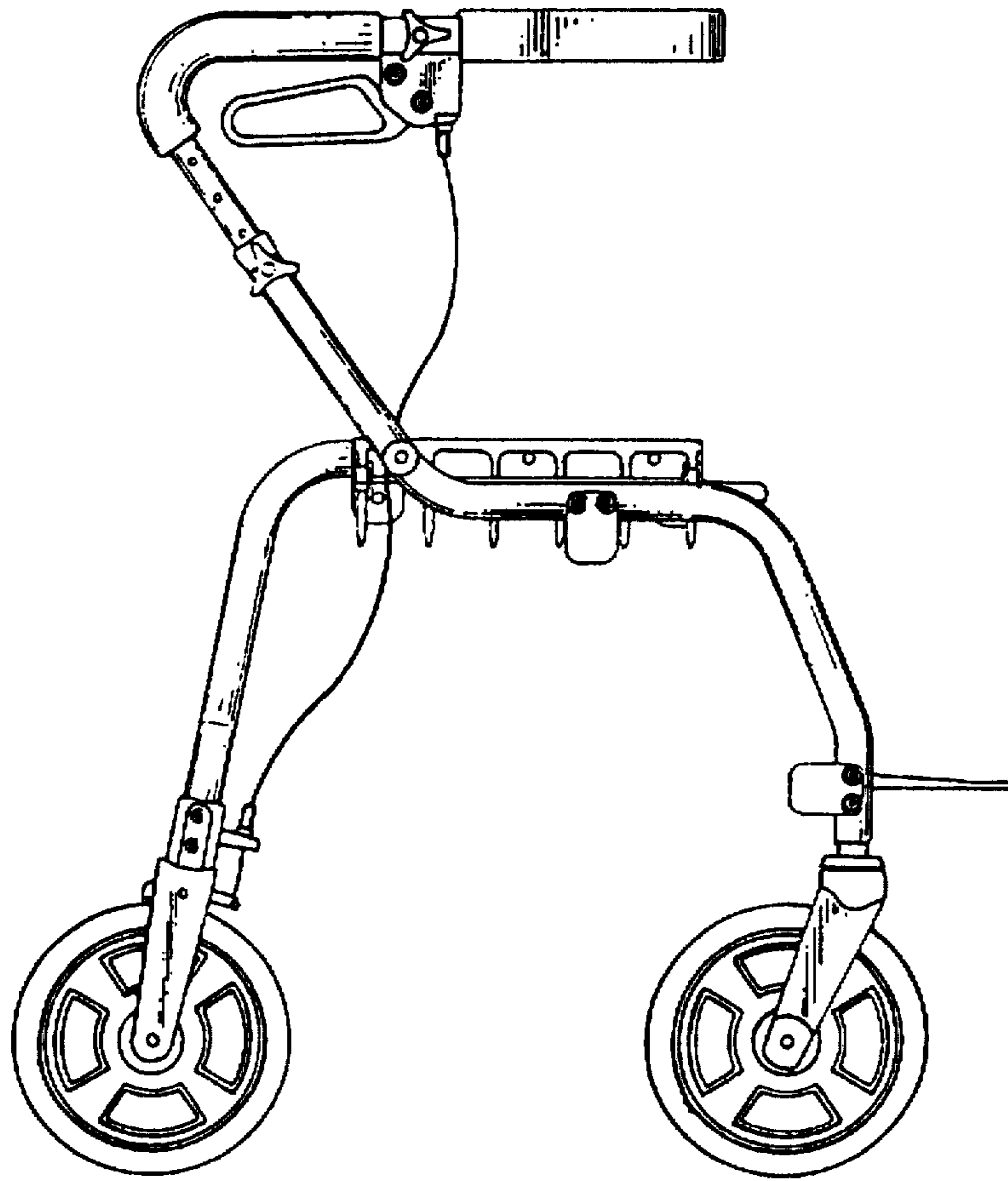


FIG. 4

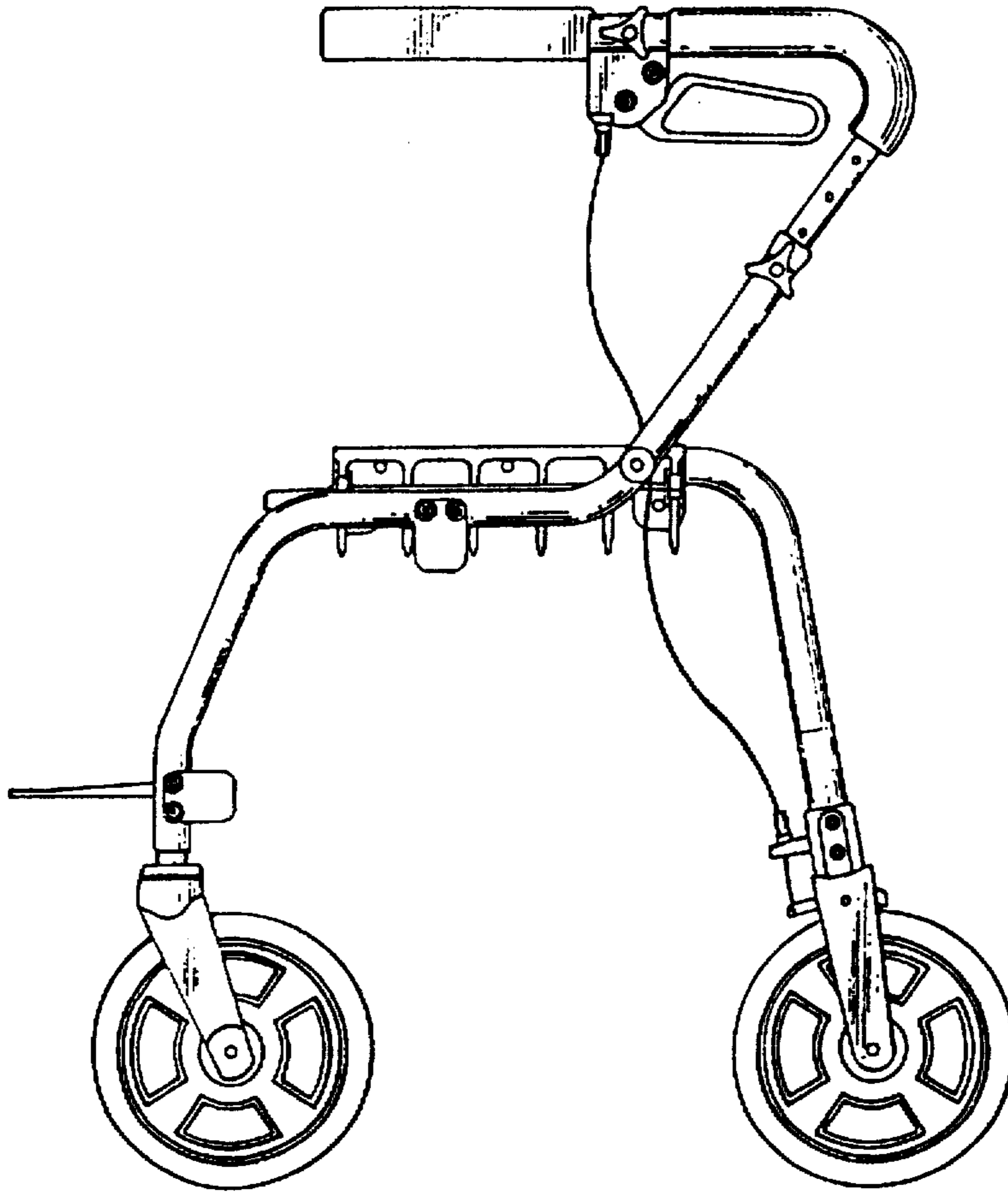


FIG. 5

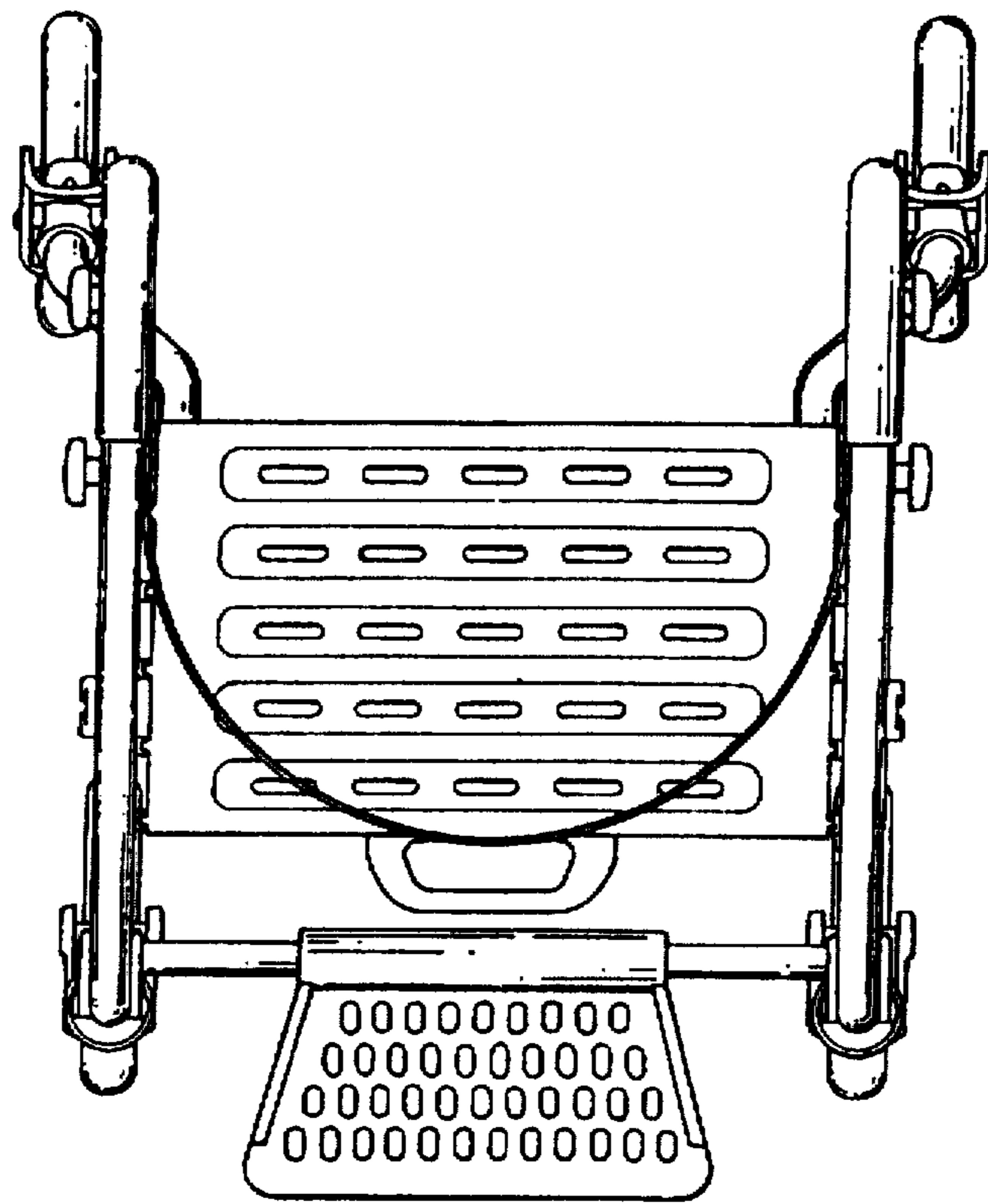


FIG. 6

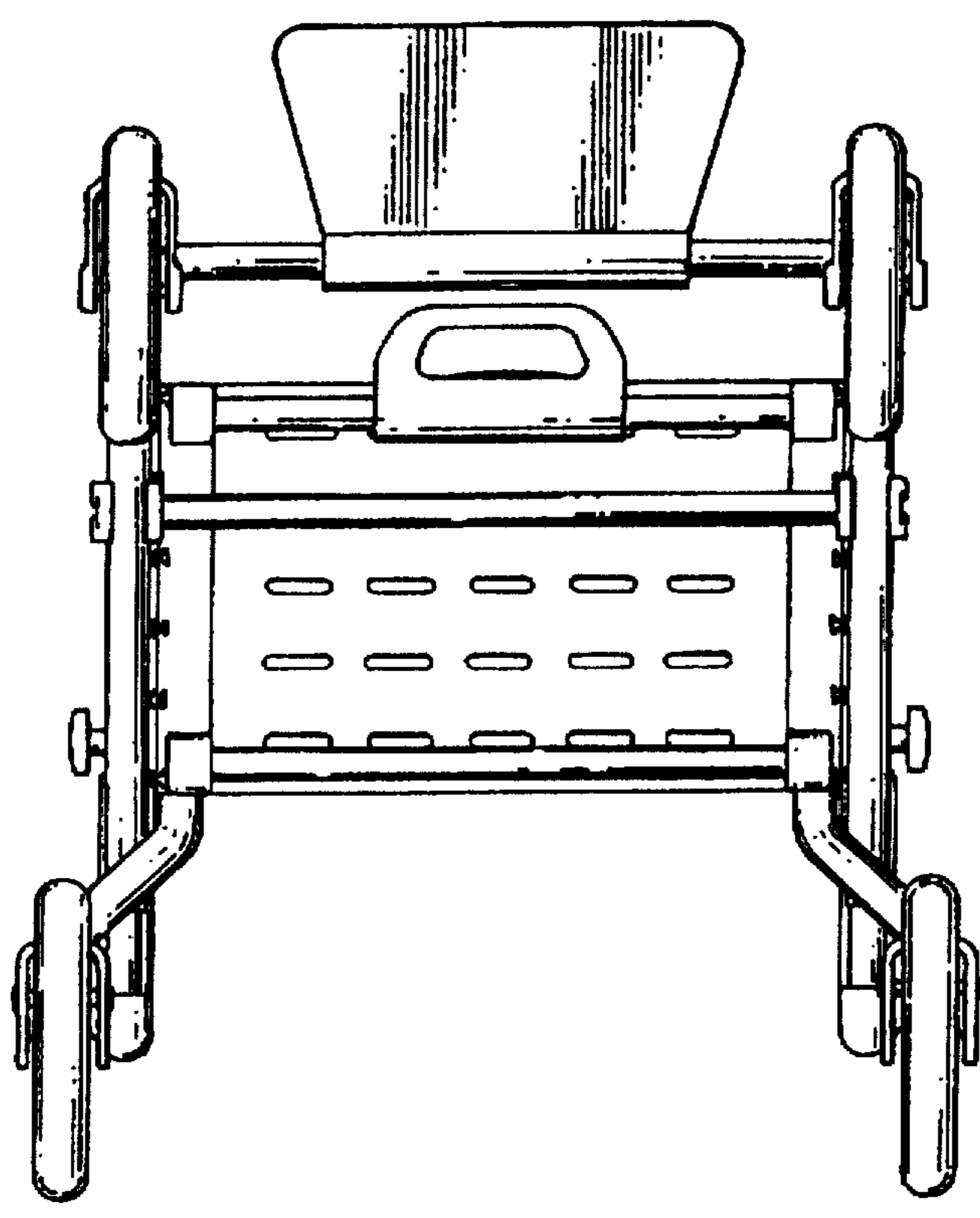


FIG. 7

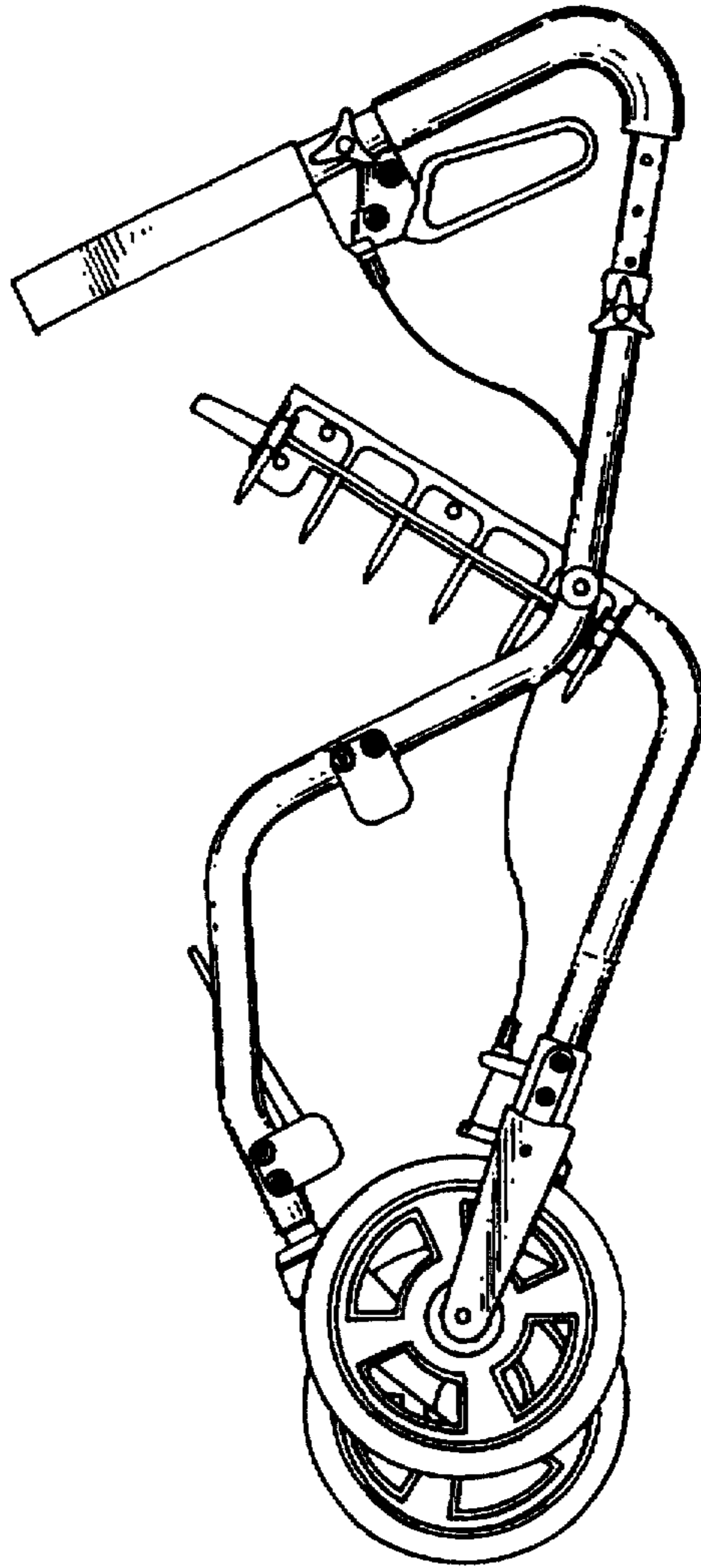


FIG. 8