



US00D395852S

United States Patent [19]

Ditommaso

[11] Patent Number: Des. 395,852

[45] Date of Patent: **Jul. 7, 1998

[54] PATIENT TRANSFER SEAT
[76] Inventor: Antonio Ditommaso, 120 Country Club Drive, Hamilton, Ontario, Canada, L8K 5W2

[**] Term: 14 Years

[21] Appl. No.: 72,581

[22] Filed: Jun. 19, 1997

[51] LOC (6) Cl. 12-12

[52] U.S. Cl. D12/128; D12/132

[58] Field of Search D12/128, 131, D12/132; 297/6, 344.21, DIG. 4, DIG. 1, 452.25, 452.26, 452.41; 5/86.1, 81.1 R; 4/483

[56] References Cited

U.S. PATENT DOCUMENTS

D. 360,172 7/1995 Francke D12/128

4,623,163 11/1986 Potts 280/649
4,759,562 7/1988 Vinyard et al. 280/304.1
4,861,051 8/1989 Napper 280/87.2
5,148,559 9/1992 Morris 5/86.1

Primary Examiner—Kay H. Chin

[57] CLAIM

The ornamental design for a patient transfer seat, as shown and described.

DESCRIPTION

FIG. 1 is a front elevational view of a patient transfer seat showing my new design, a portion of frame being broken away to indicate indeterminate length; FIG. 2 is a rear elevational view thereof; FIG. 3 is a left side elevational view thereof; FIG. 4 is a right side elevational view thereof; FIG. 5 is a top plan view thereof; and, FIG. 6 is a bottom plan view thereof.

1 Claim, 3 Drawing Sheets

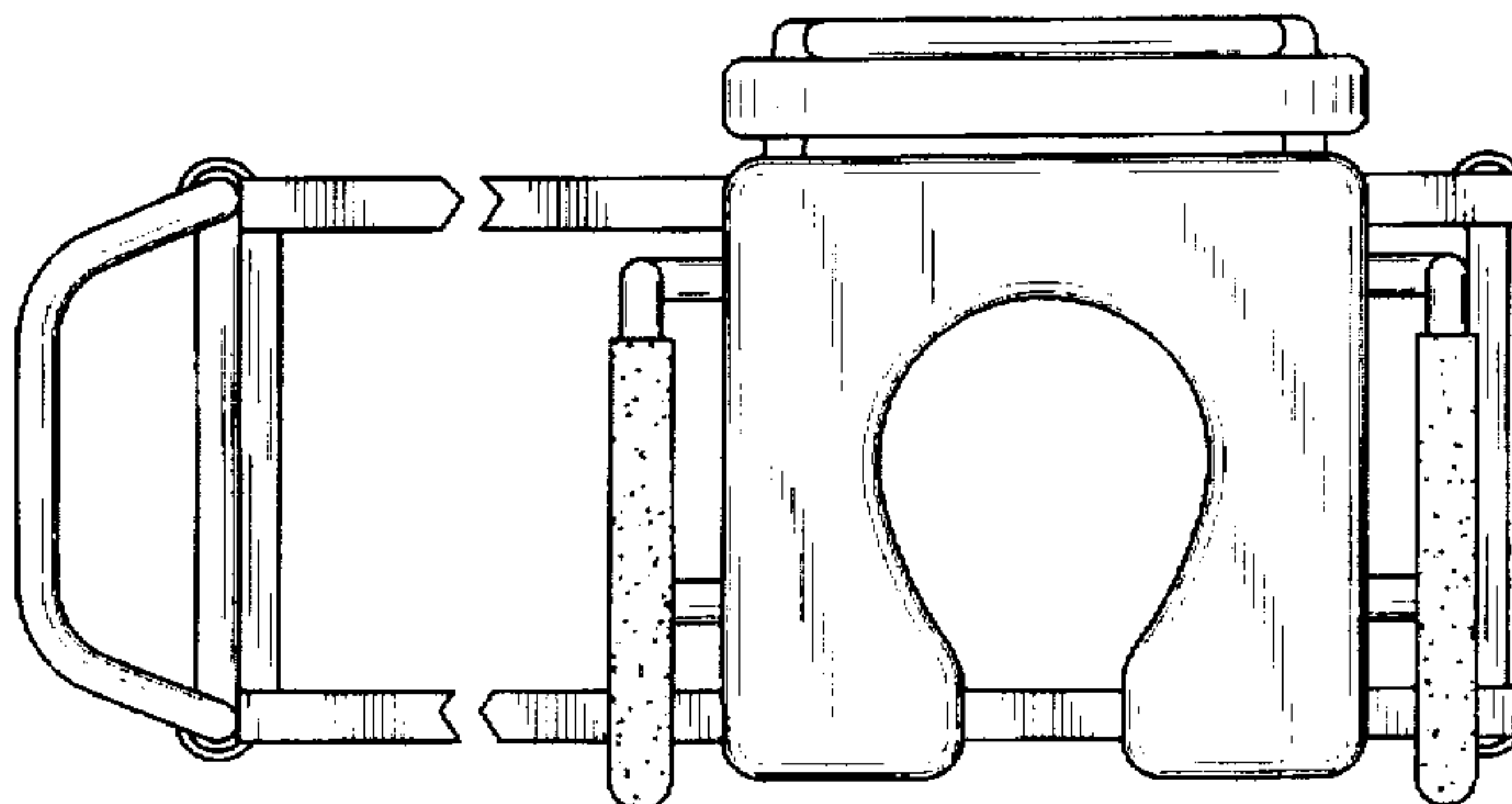
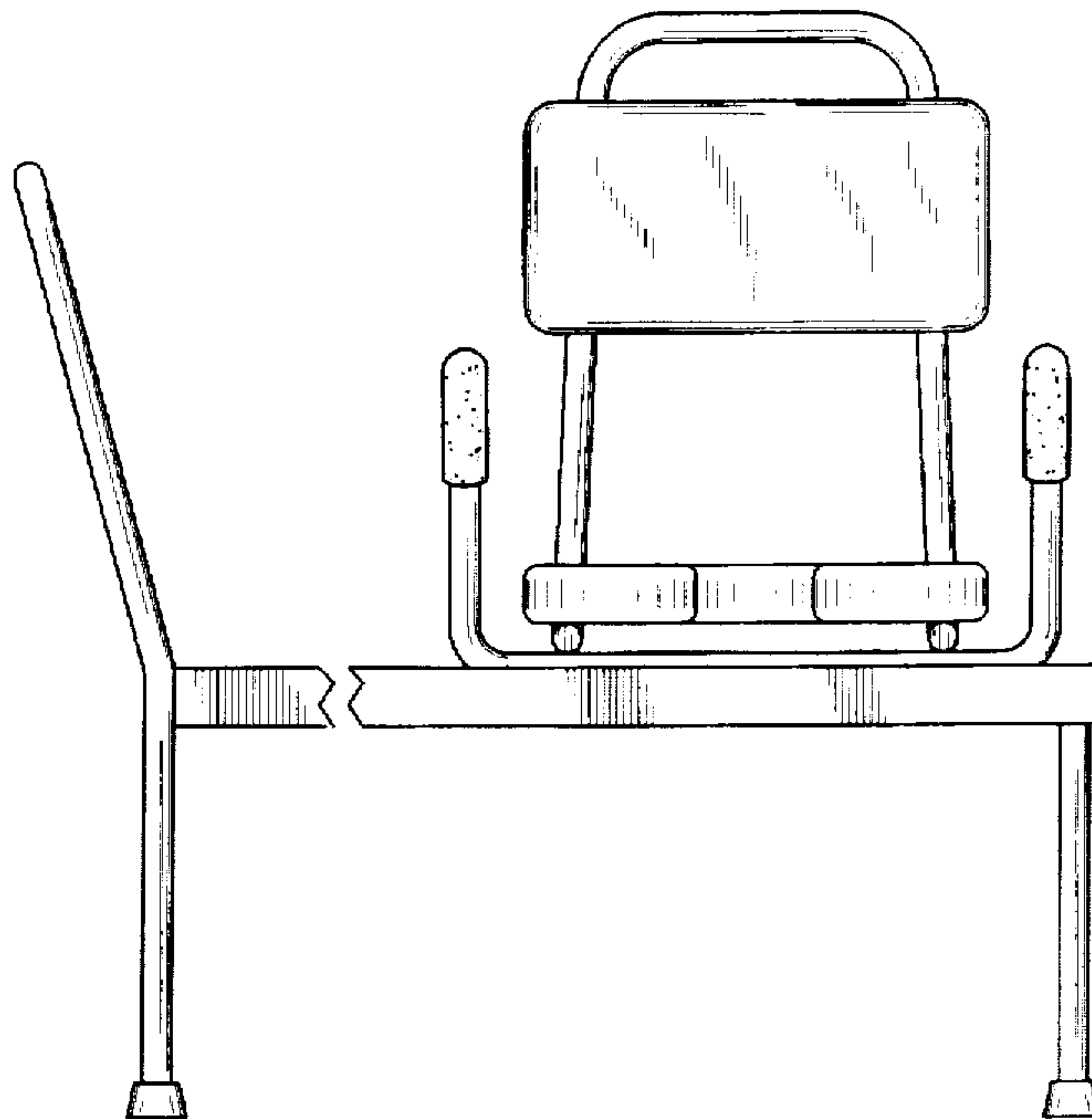


FIG. 1

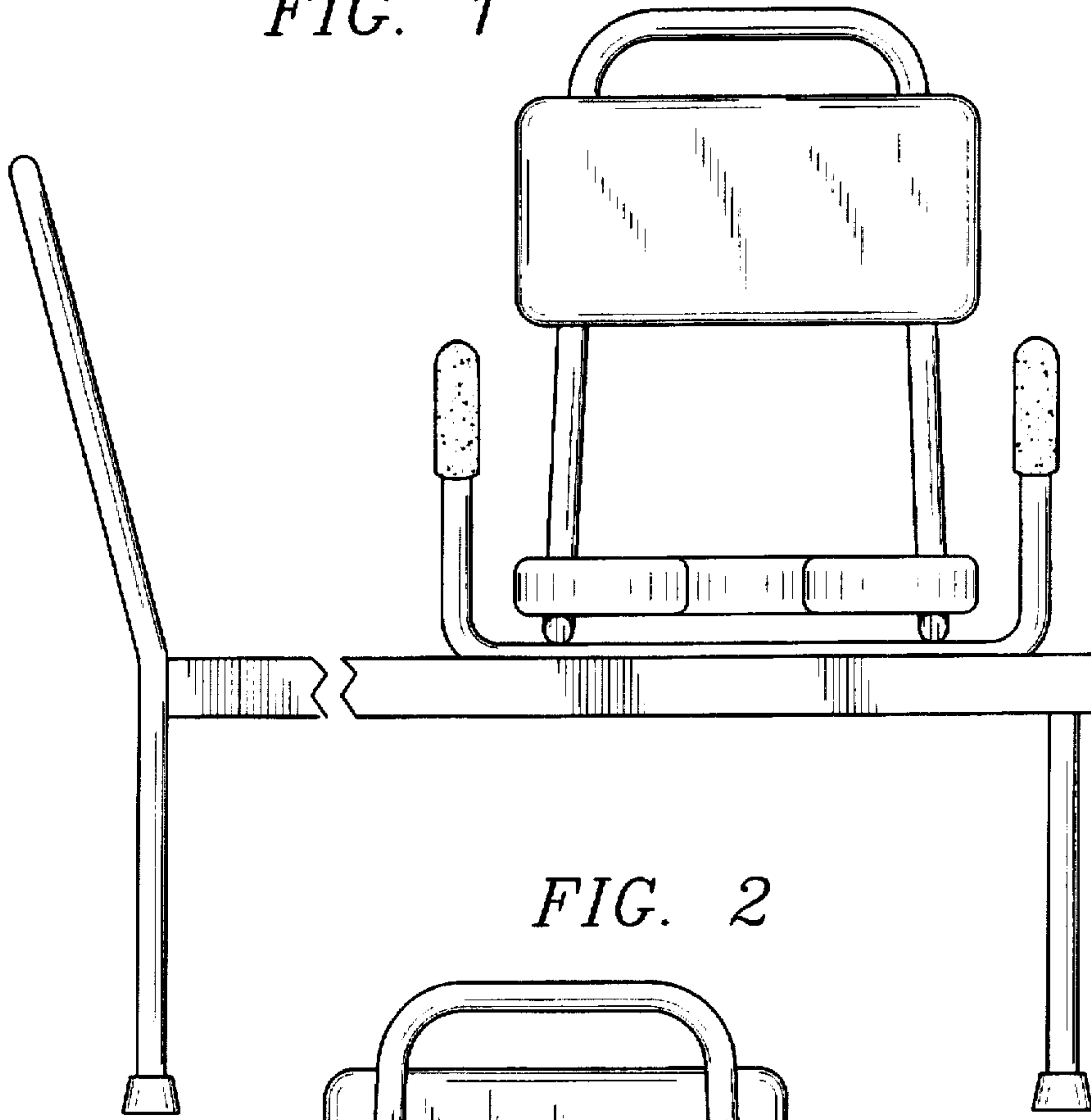


FIG. 2

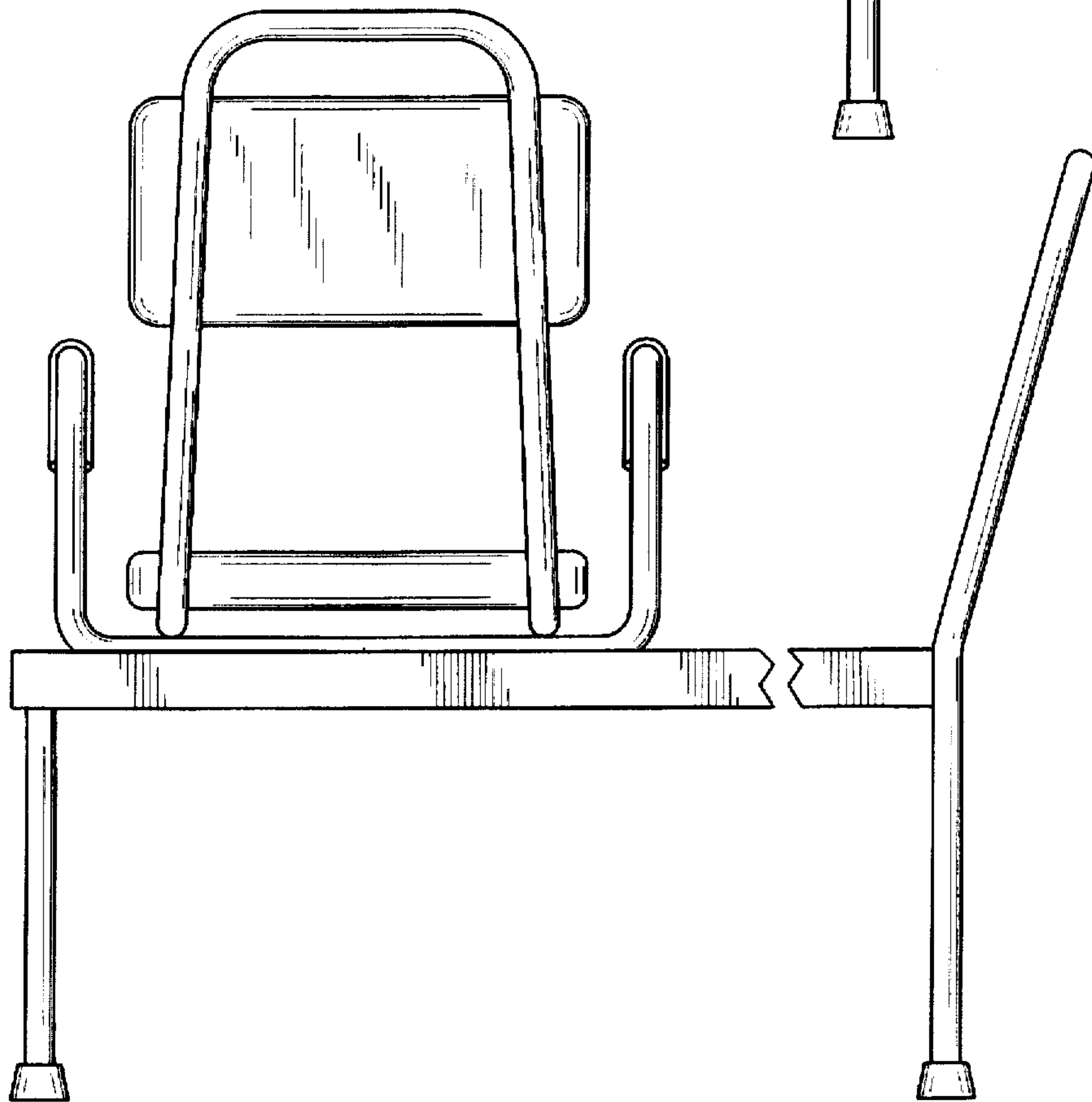


FIG. 3

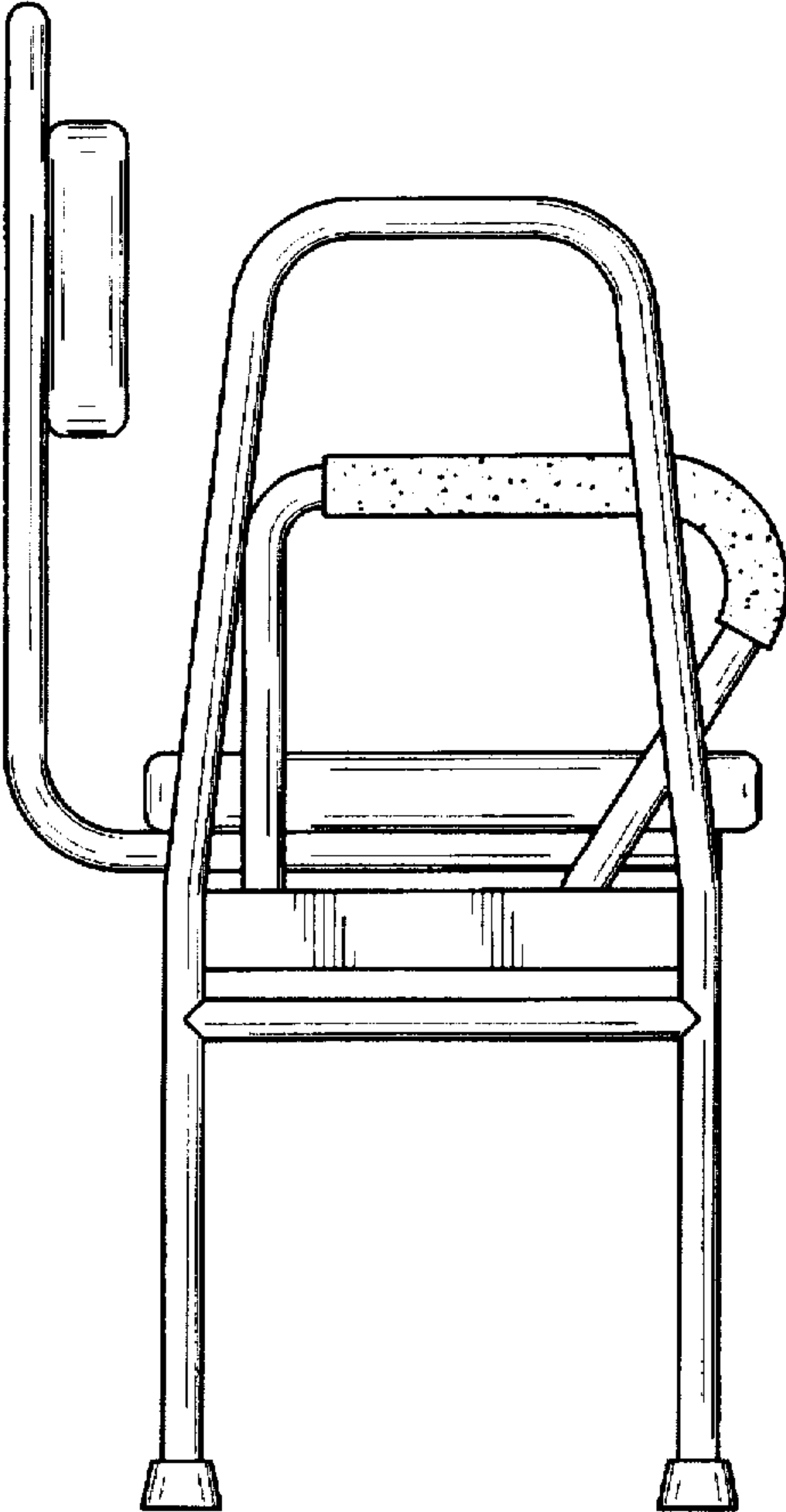


FIG. 4

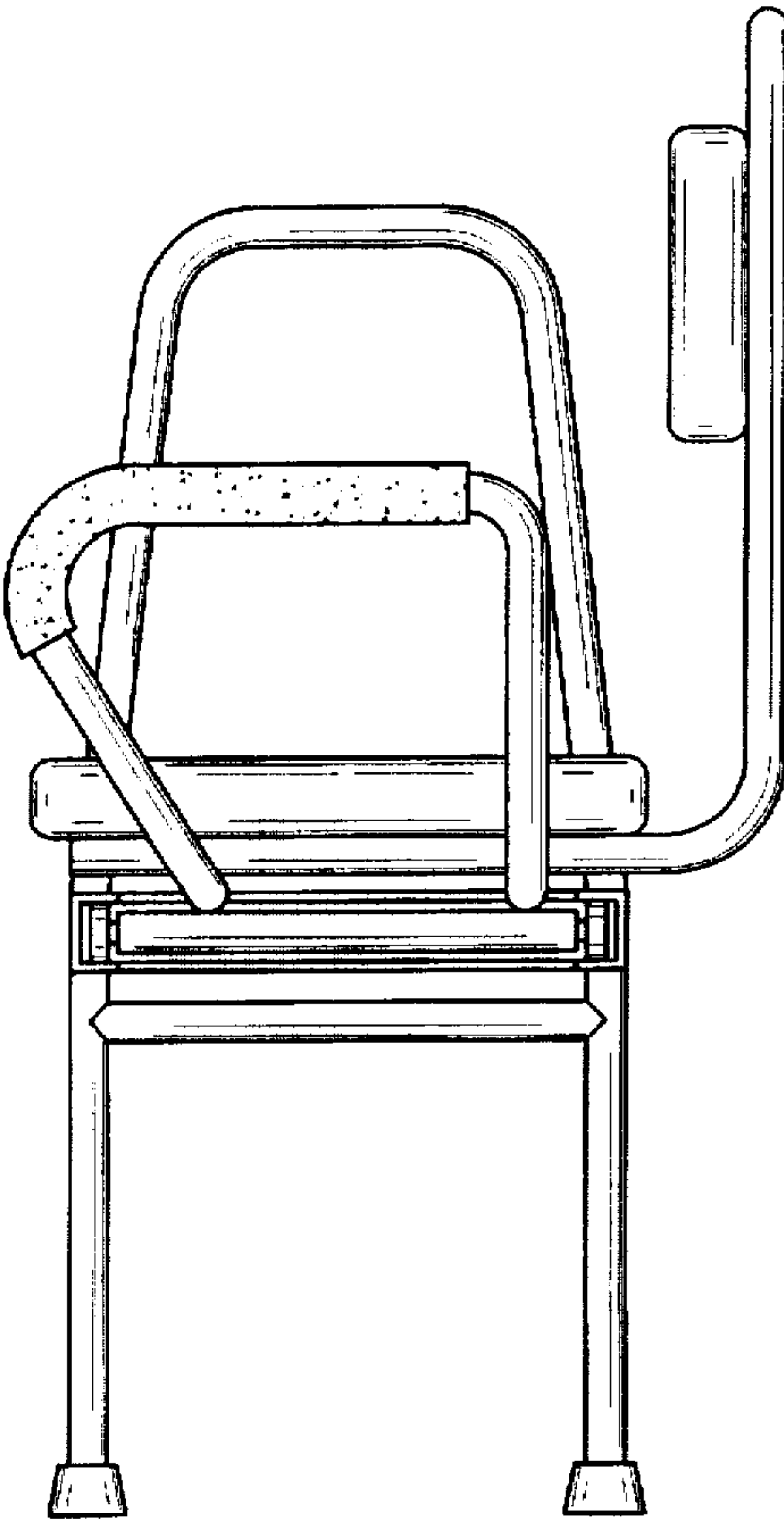


FIG. 5

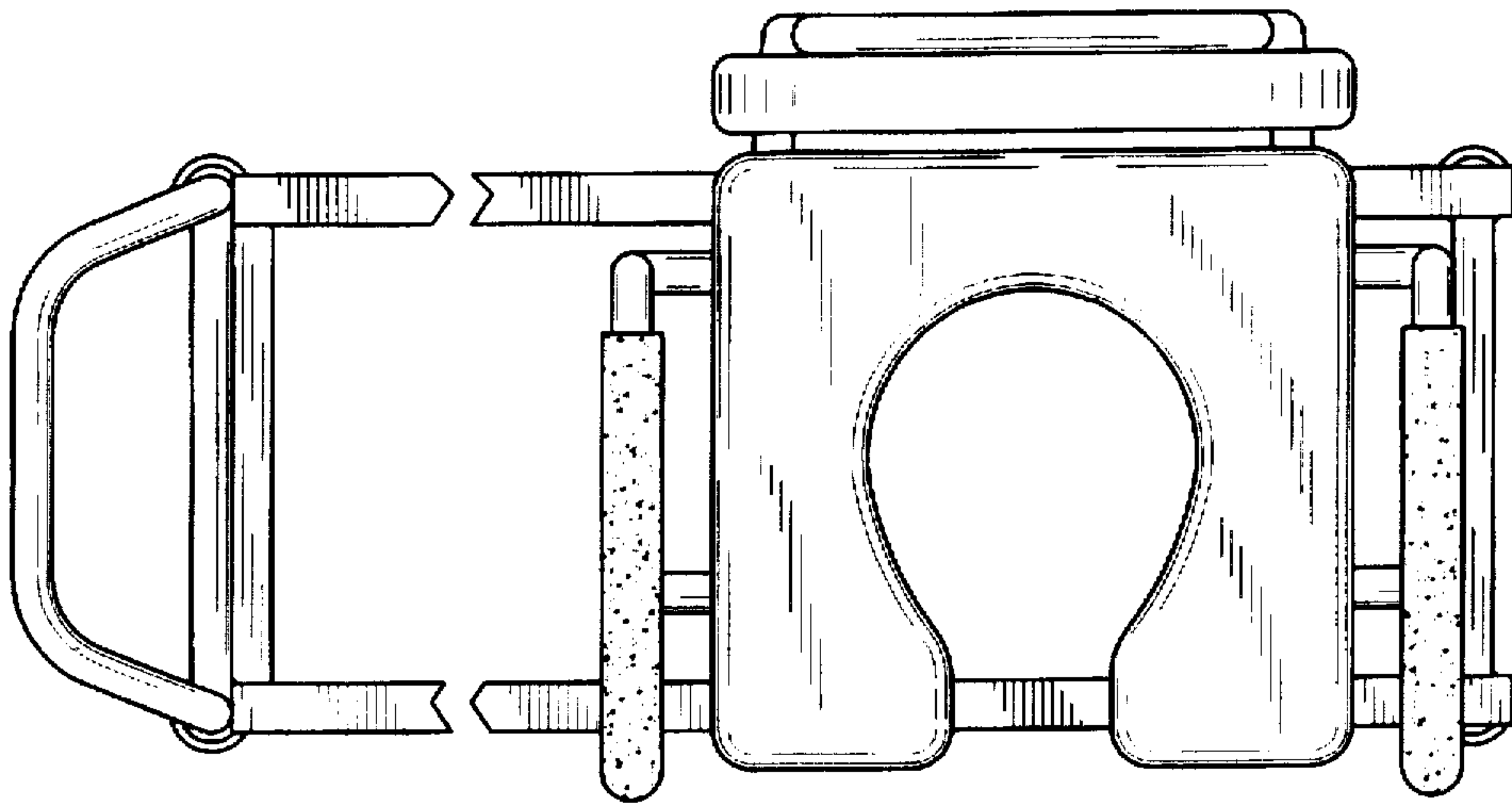


FIG. 6

