



US00D395837S

United States Patent [19]

Davis, Jr.

[11] Patent Number: Des. 395,837

[45] Date of Patent: **Jul. 7, 1998

[54] **MULTI-FUNCTION GAME CALL**

[75] Inventor: **James D. Davis, Jr.**, Dover, Ark.

[73] Assignee: **Penline Production L.L.C.**, Dover, Ark.

[**] Term: **14 Years**

[21] Appl. No.: **73,648**

[22] Filed: **Jul. 14, 1997**

[51] LOC (6) Cl. **10-05**

[52] U.S. Cl. **D10/119**

[58] Field of Search D10/104, 116,
D10/118, 119, 120; 446/200-215

[56] **References Cited**

U.S. PATENT DOCUMENTS

D. 312,426 11/1990 Battey D10/116

D. 347,399 5/1994 White, Jr. D10/116

Primary Examiner—Marcus A. Jackson

Attorney, Agent, or Firm—Stephen D. Carver

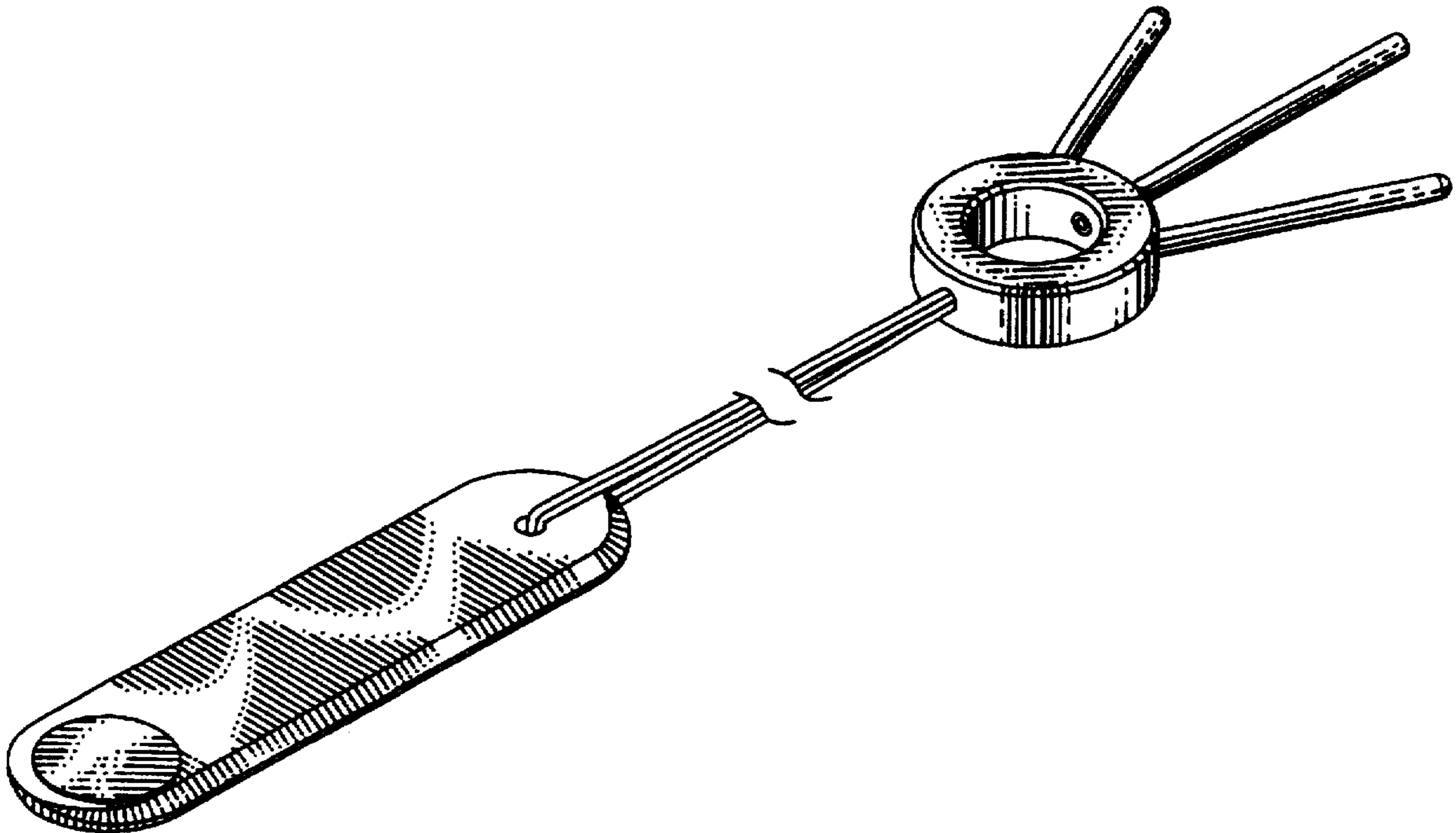
[57] **CLAIM**

The ornamental design for a multi-function game call, as shown and described.

DESCRIPTION

FIG. 1 is a top perspective view of my multi-function game call; showing the new design, with the band broken away in the center to indicate indeterminate length;
FIG. 2 is a top perspective view thereof;
FIG. 3 is a bottom perspective view thereof;
FIG. 4 is a perspective view thereof;
FIG. 5 is a top plan view thereof;
FIG. 6 is a side elevational taken generally from the left side of FIG. 5 and looking towards the right;
FIG. 7 is a side elevational taken generally from the right side of FIG. 5 and looking towards the left;
FIG. 8 is a bottom plan view thereof;
FIG. 9 is an end elevational taken generally from the top of FIG. 5 and looking down; and,
FIG. 10 is an end elevational taken generally from the bottom of FIG. 5 and looking up.

1 Claim, 3 Drawing Sheets



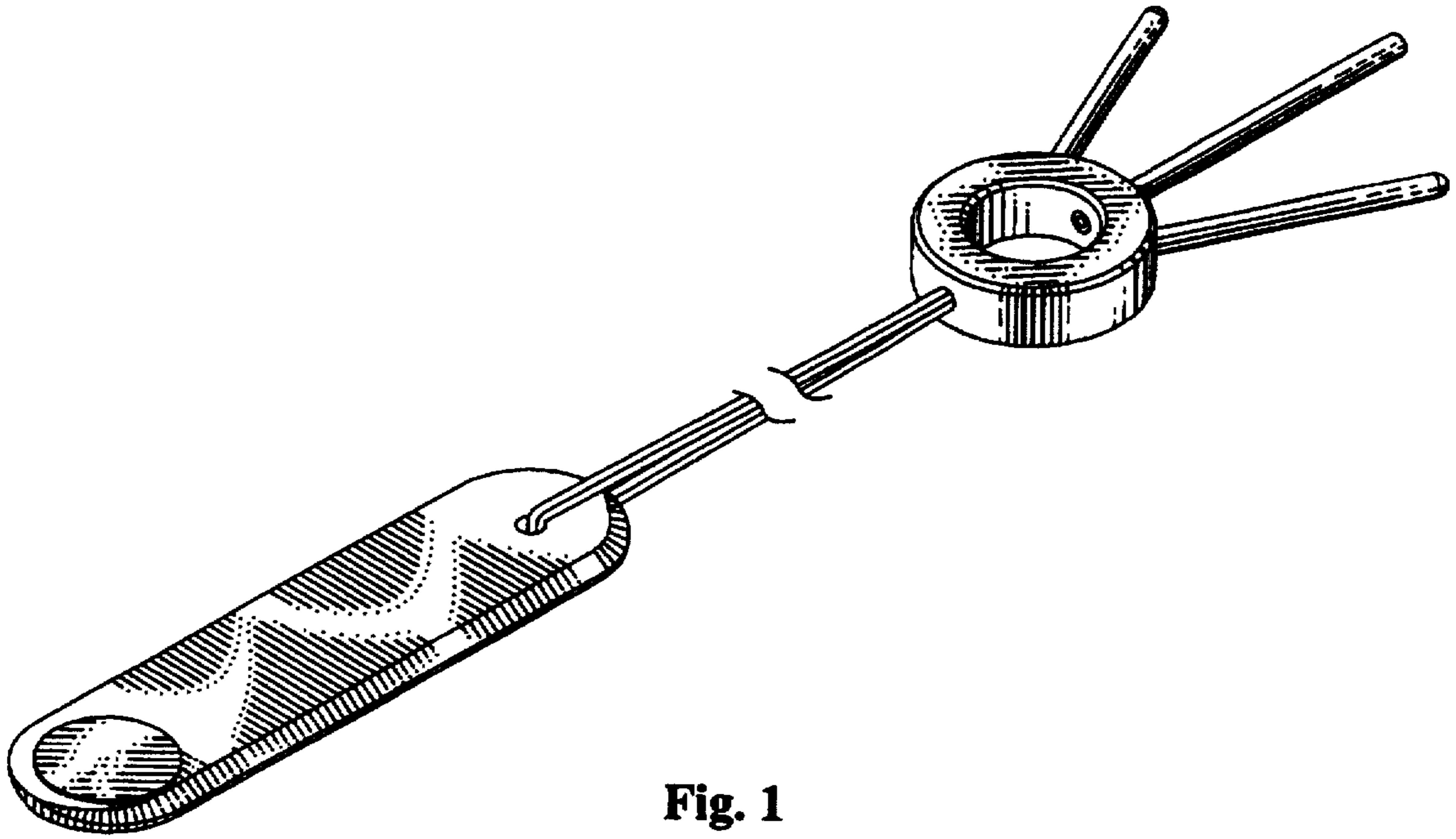


Fig. 1

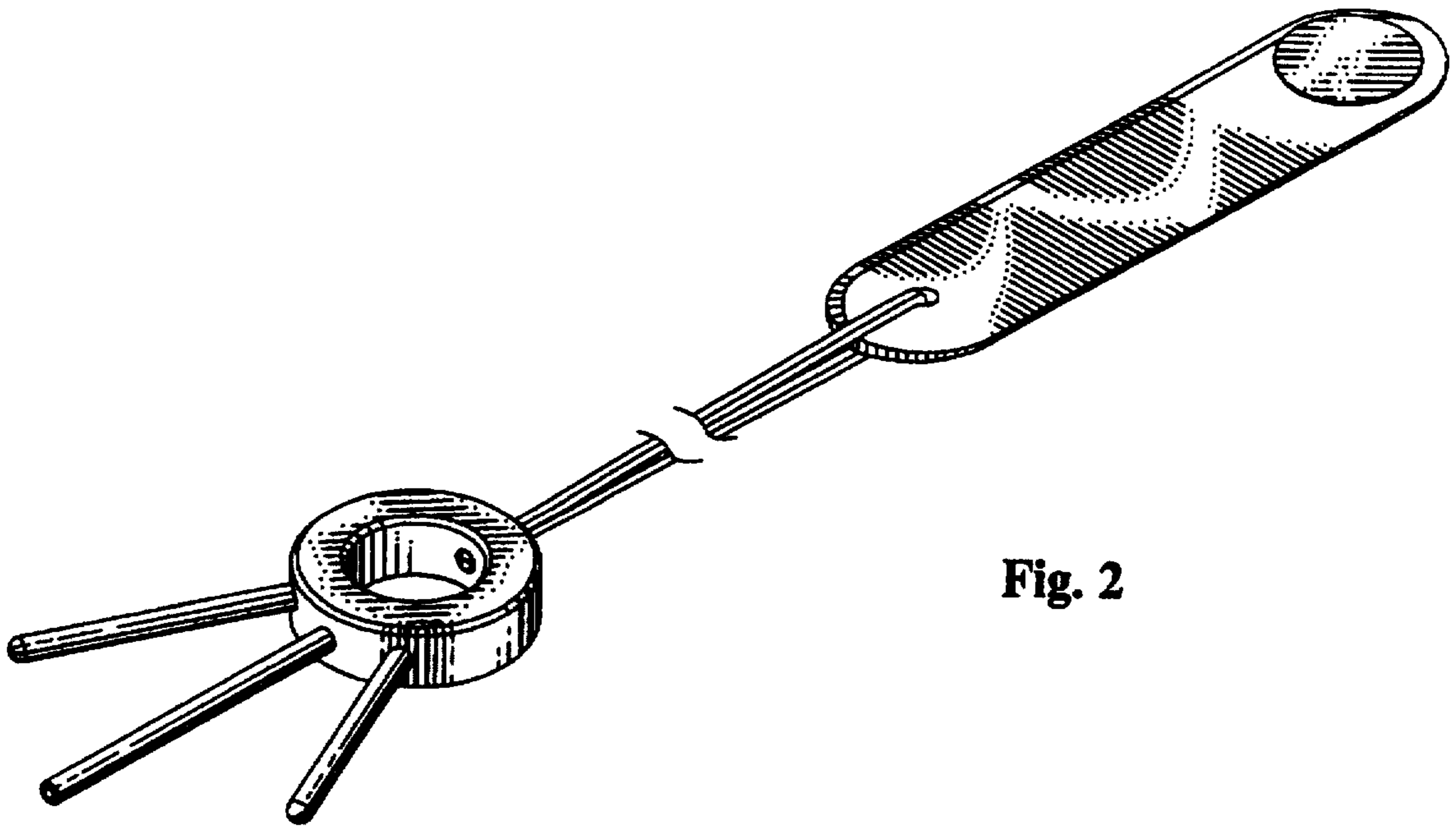


Fig. 2

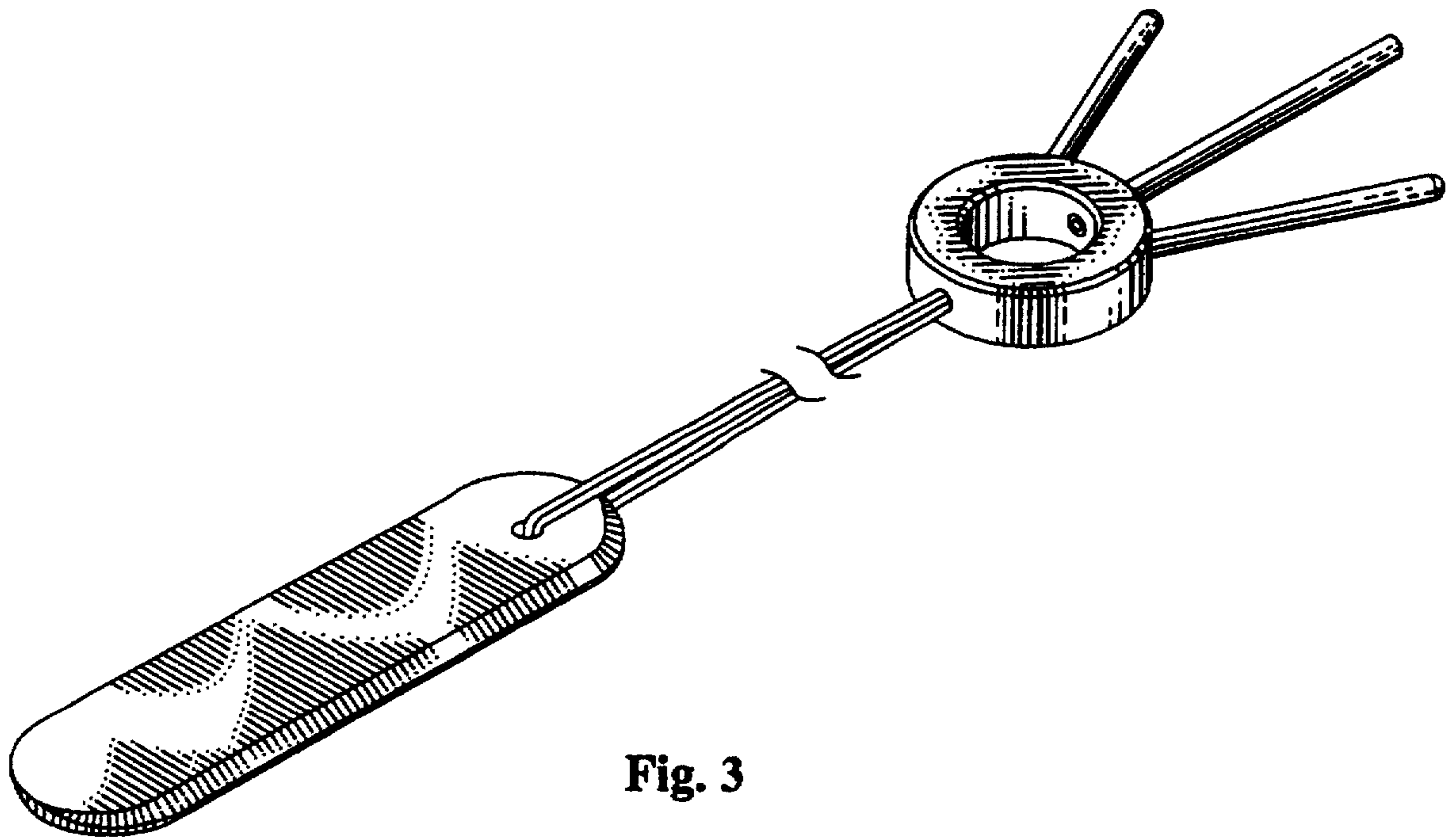


Fig. 3

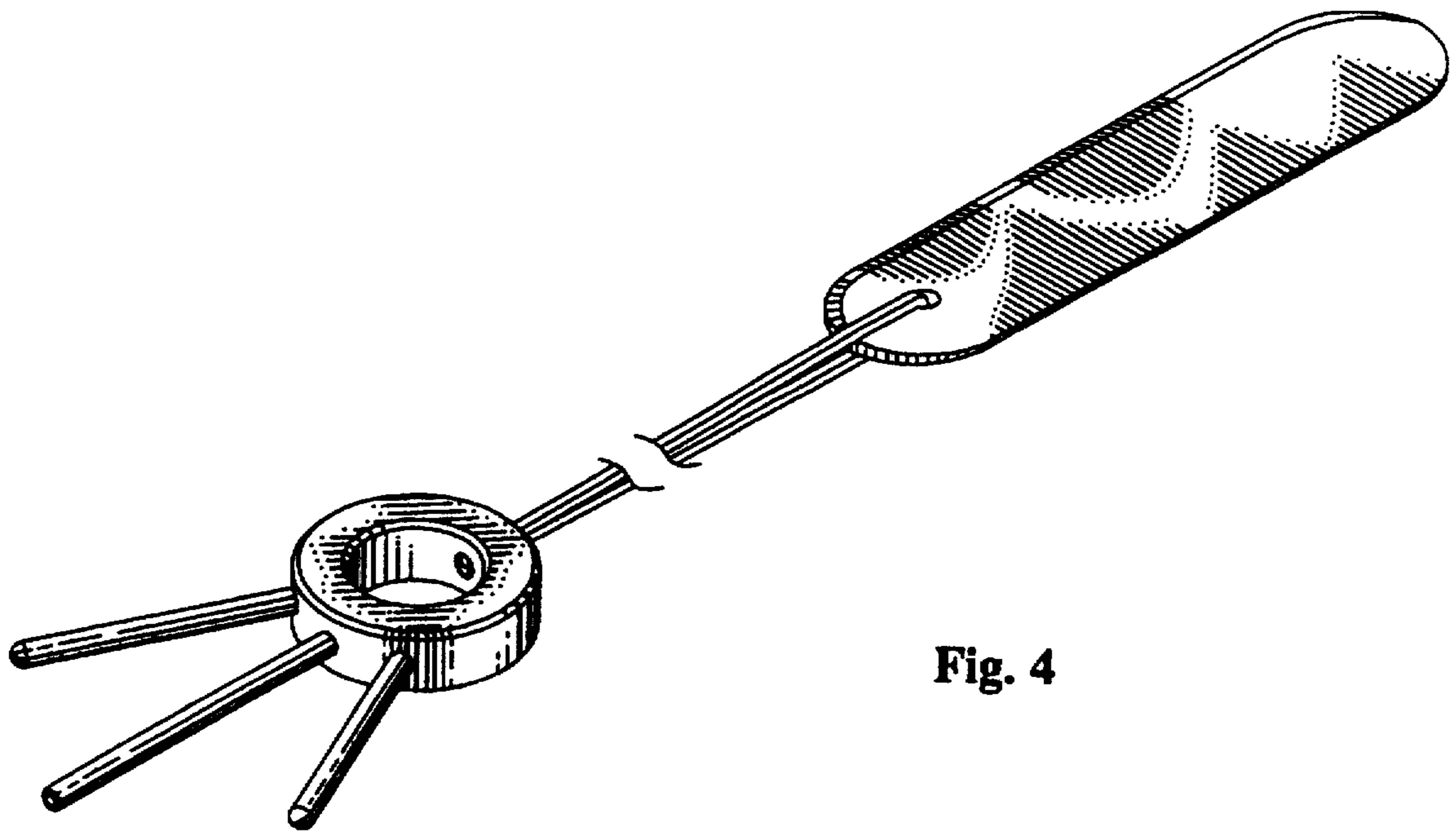


Fig. 4



Fig. 9



Fig. 6

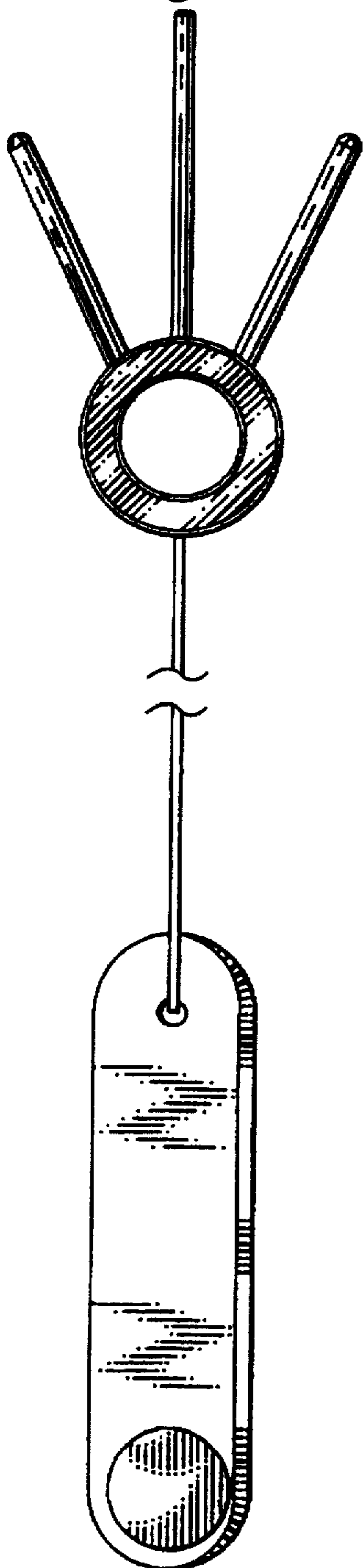


Fig. 5



Fig. 7

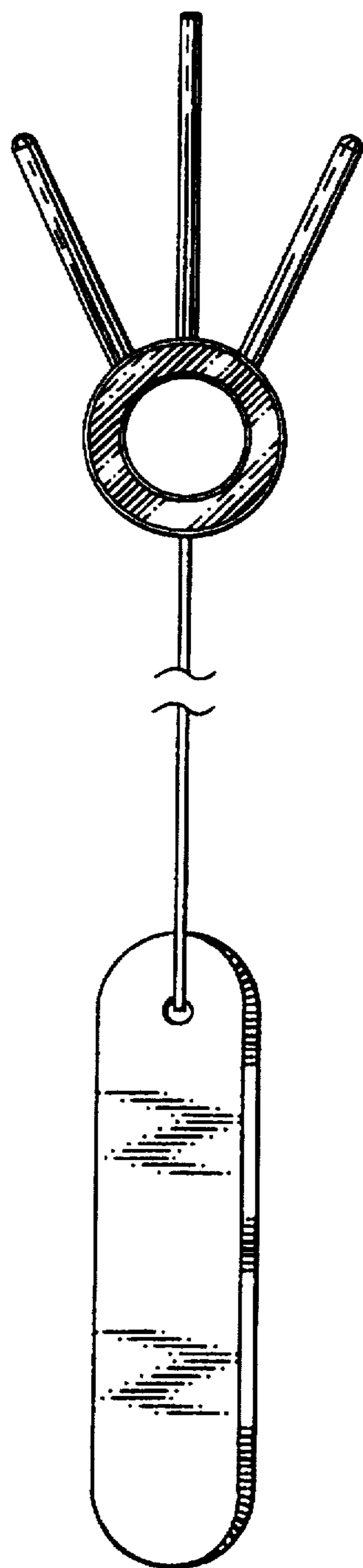


Fig. 8



Fig. 10