



US00D395831S

# United States Patent [19] Badgen

[11] Patent Number: Des. 395,831  
[45] Date of Patent: \*\*Jul. 7, 1998

[54] INSTRUMENT HOUSING

4,958,938 9/1990 Schwartz et al. .... 374/208

[75] Inventor: Albert Badgen, Northridge, Calif.

Primary Examiner—Antoine Duval Davis  
Attorney, Agent, or Firm—Welsh & Katz, Ltd.

[73] Assignee: Moore Industries, Inc., Sepulveda, Calif.

### [57] CLAIM

[\*\*] Term: 14 Years

The ornamental design for an instrument housing, as shown and described.

[21] Appl. No.: 68,072

### DESCRIPTION

[22] Filed: Feb. 18, 1997

[51] LOC (6) Cl. .... 10-04

[52] U.S. Cl. .... D10/52

[58] Field of Search ..... D10/96, 99, 50-55;  
374/208, 179; 307/414, 419, 125; 136/230,  
232; 327/190; 277/637; 323/280; 338/28,  
272; 330/9, 10, 293, 59; 363/25; 336/109

FIG. 1 is a front perspective view of the subject invention;  
FIG. 2 is a front plan view of the subject invention;  
FIG. 3 is a top plan view of the invention of FIG. 1;  
FIG. 4 is a rear view of the subject invention;  
FIG. 5 is a bottom view of the subject invention;  
FIG. 6 is a right side view showing the upper and lower  
portions of the instrument housing design separated; and,  
FIG. 7 is a left side view of the subject invention.

### [56] References Cited

#### U.S. PATENT DOCUMENTS

D. 317,269 6/1991 Selg ..... D10/52

1 Claim, 4 Drawing Sheets

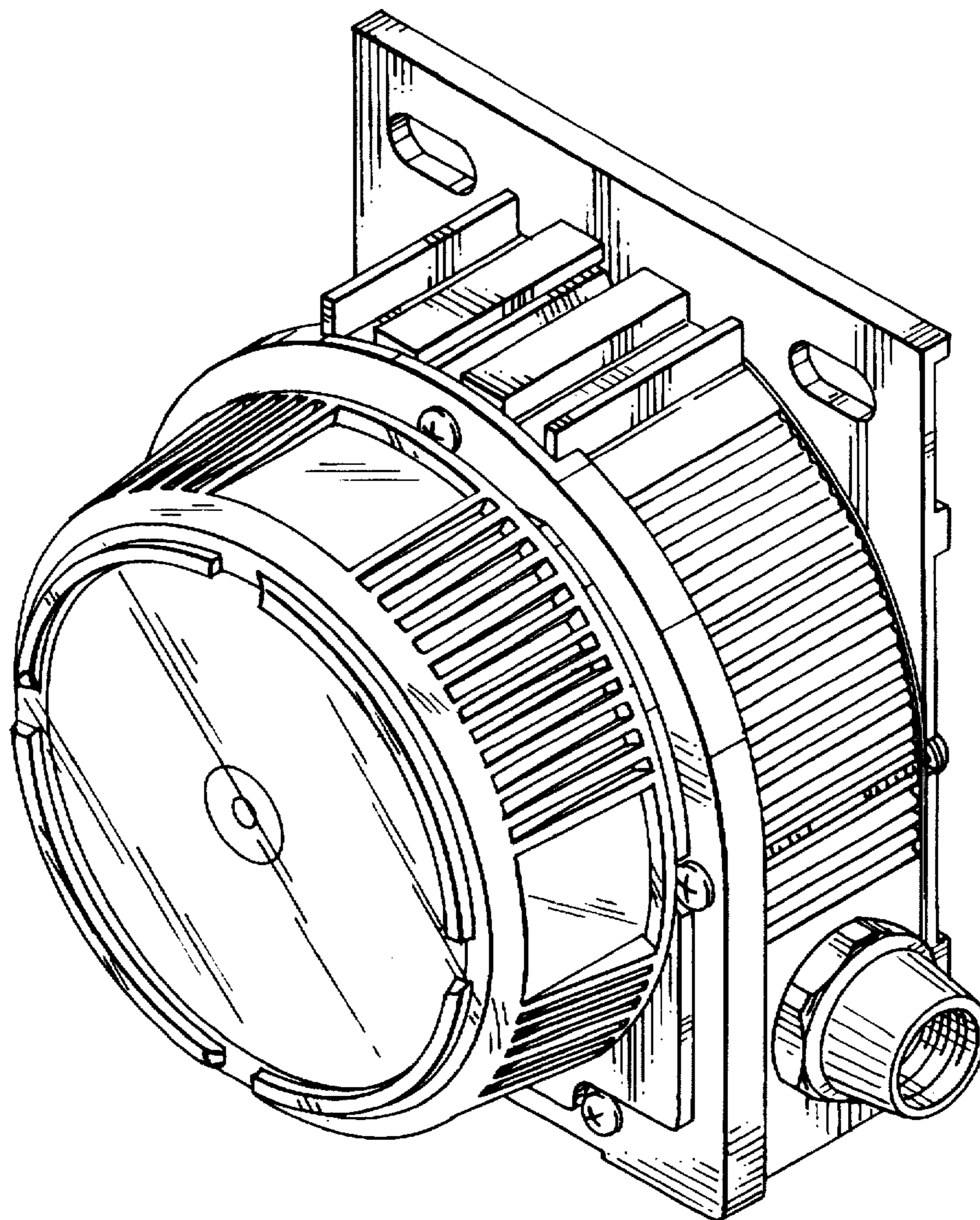


FIG. 1

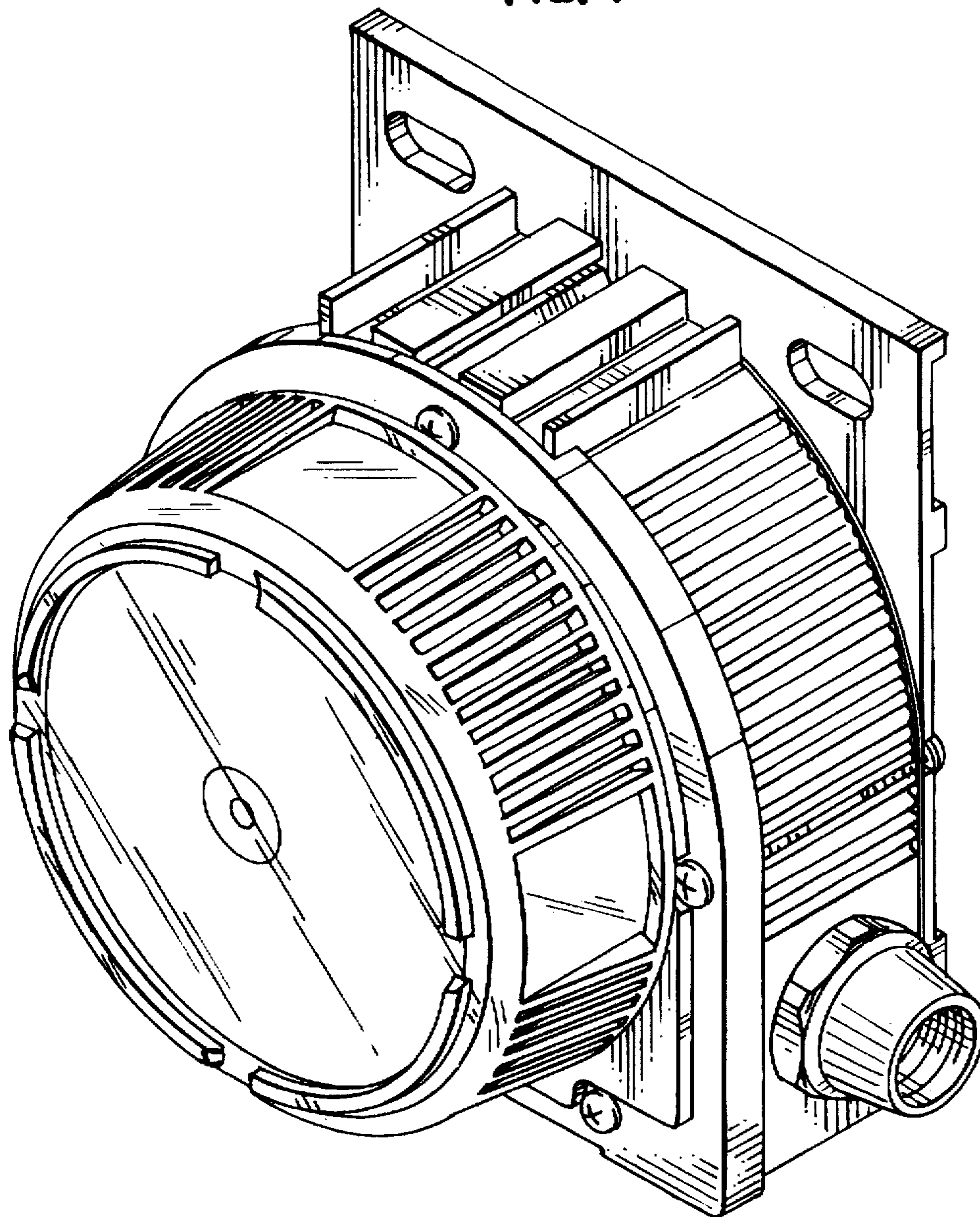


FIG. 2

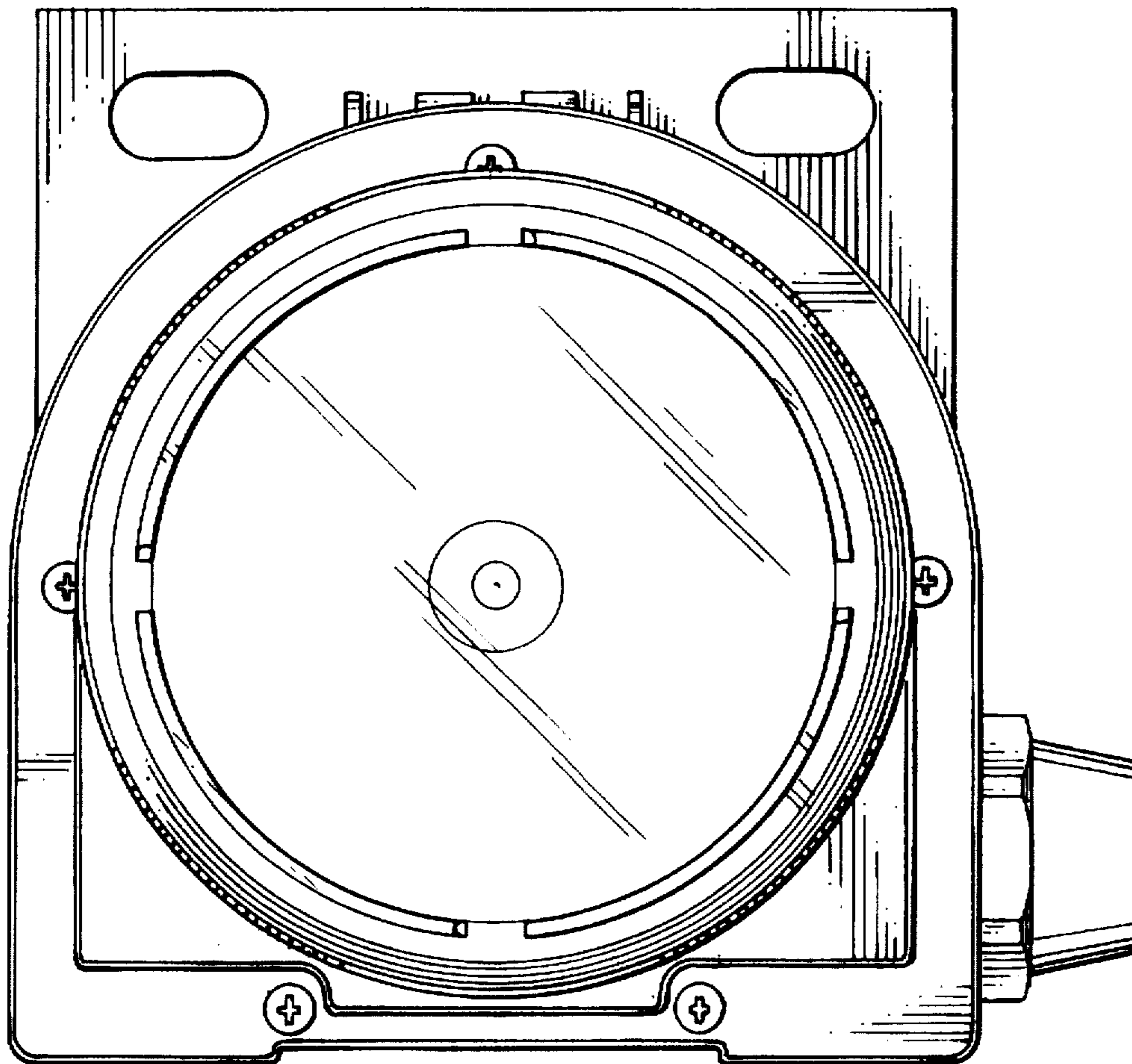


FIG. 3

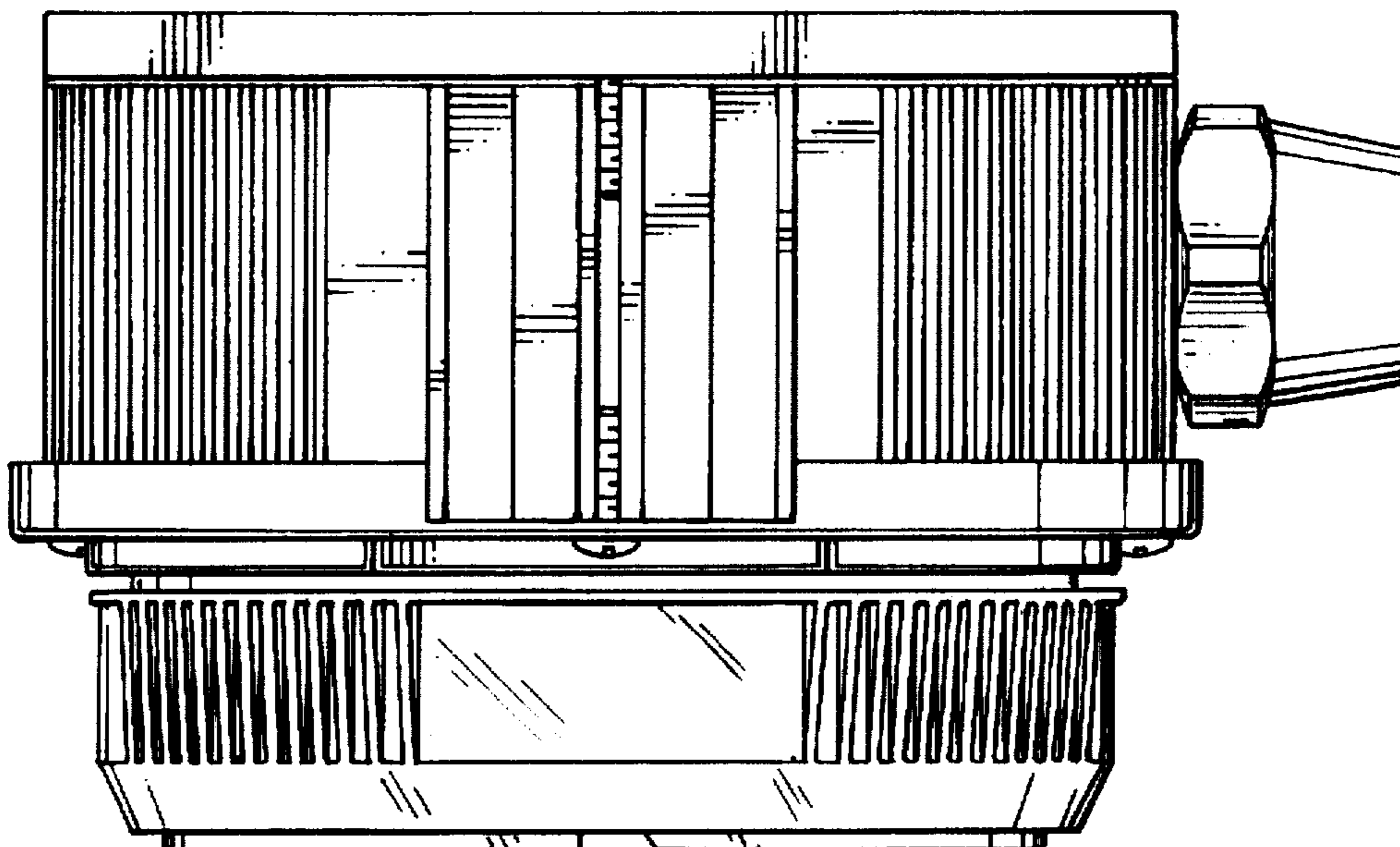


FIG. 4

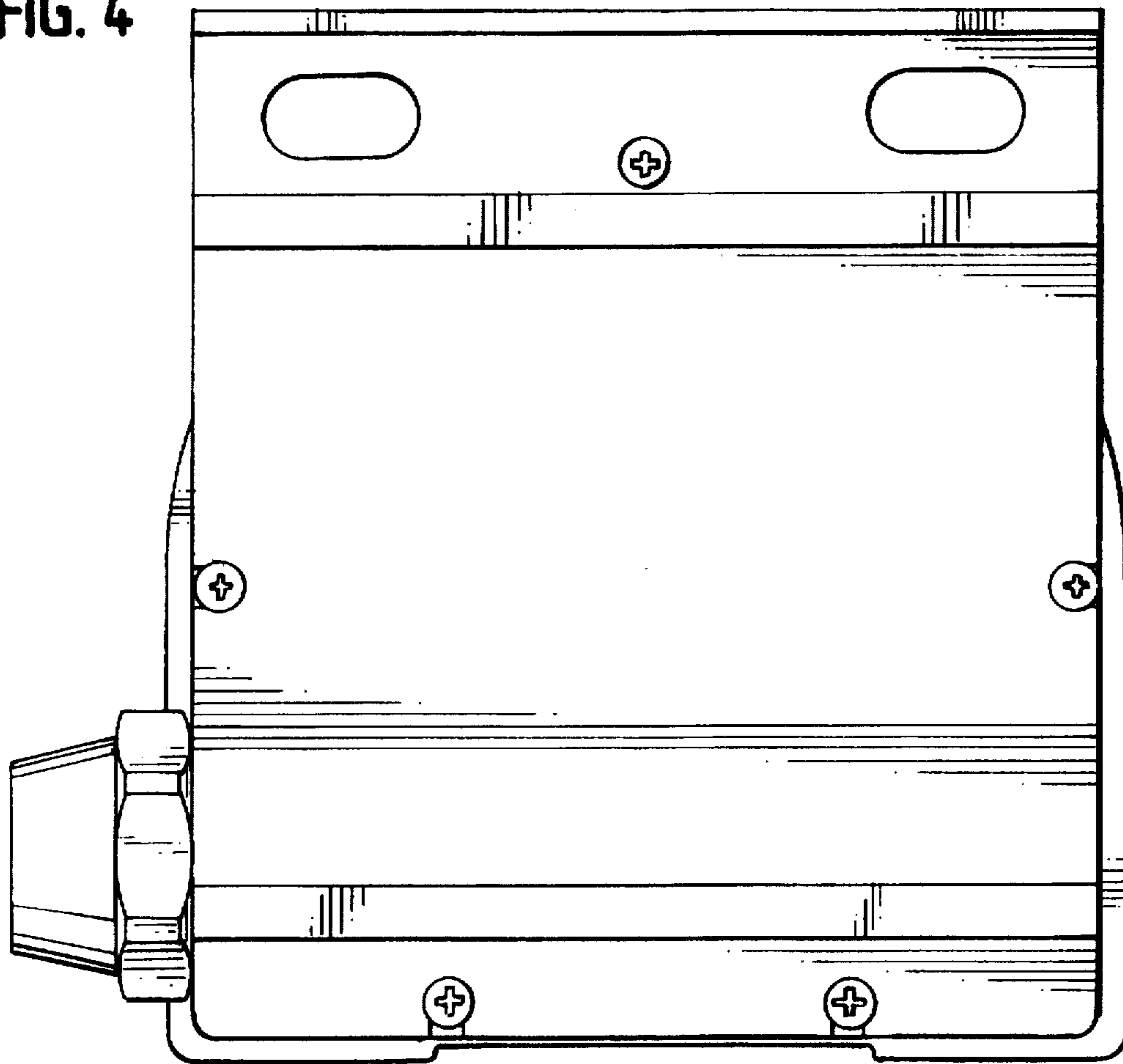


FIG. 5

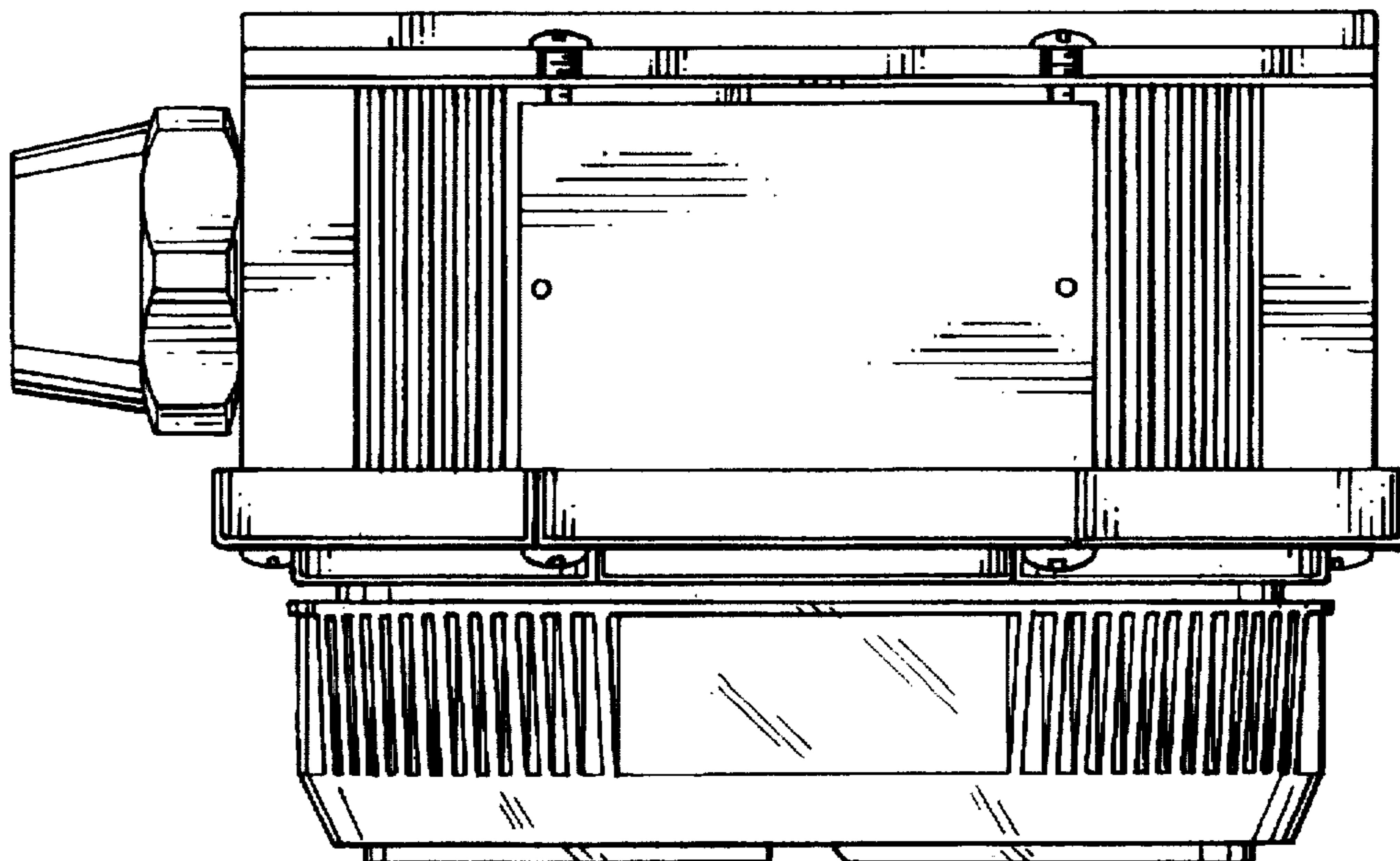


FIG. 6

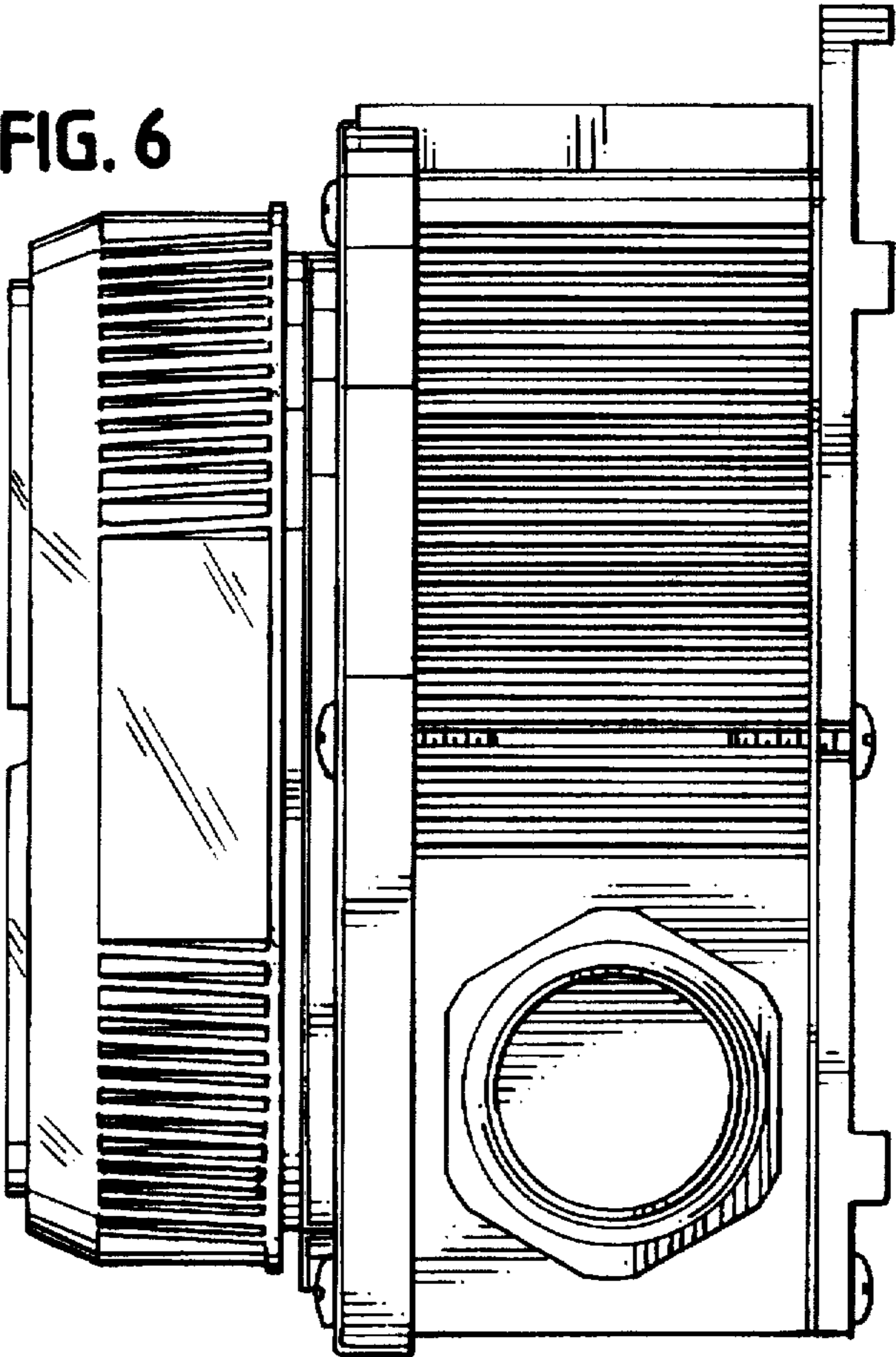


FIG. 7

