



US00D395825S

**United States Patent** [19]  
**Freitas**

[11] **Patent Number: Des. 395,825**  
[45] **Date of Patent: \*\*Jul. 7, 1998**

[54] **PAINT CAN HOLDER**  
[75] **Inventor: Raymond A. Freitas, 851 Iredell St., Akron, Ohio 44310**  
[73] **Assignees: Raymond A. Freitas; William F. Klug, Akron, Ohio**  
[\*\*] **Term: 14 Years**

4,549,562	10/1985	Ossi .....	134/138
4,599,968	7/1986	Ryder et al. ....	118/305
4,993,675	2/1991	Walker .....	220/737
5,190,303	3/1993	Schumacher et al. ....	280/38
5,316,251	5/1994	McGraw .....	248/210
5,390,888	2/1995	Rogers .....	248/318
5,492,246	2/1996	Bailey .....	220/737
5,570,807	11/1996	Busch .....	220/756
5,655,805	8/1997	Shaddy .....	220/738

[21] **Appl. No.: 68,137**  
[22] **Filed: Mar. 13, 1997**

*Primary Examiner*—Alan P. Douglas  
*Assistant Examiner*—Robin V. Taylor  
*Attorney, Agent, or Firm*—Porter, Wright, Morris & Arthur

[51] **LOC (6) Cl. .... 09-07**  
[52] **U.S. Cl. .... D9/455**  
[58] **Field of Search .... D9/455; D32/53-54; 220/694-702, 733, 737, 738**

[57] **CLAIM**

The ornamental design for a paint can holder, as shown.

**DESCRIPTION**

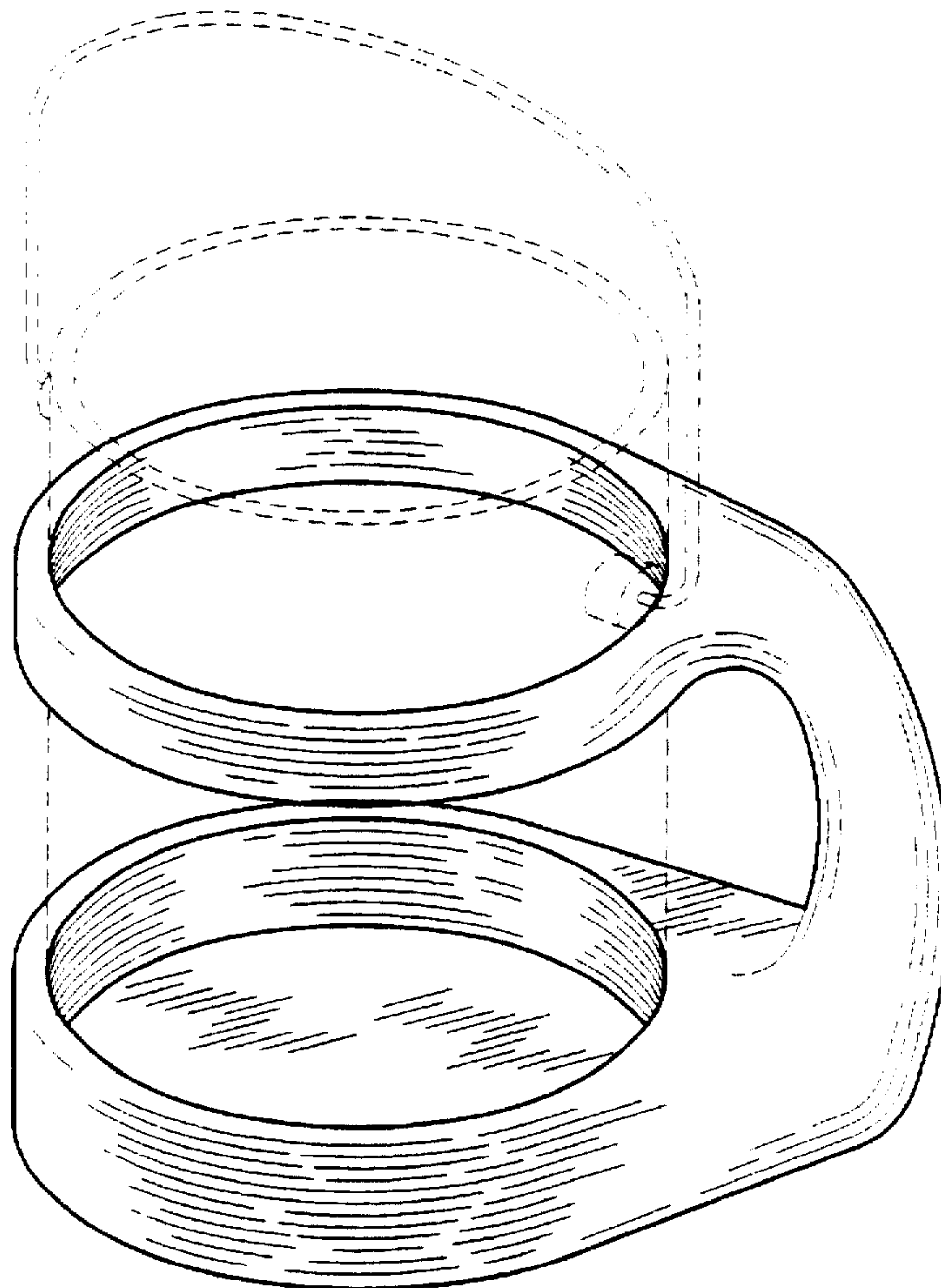
[56] **References Cited**

**U.S. PATENT DOCUMENTS**

D. 291,168	8/1987	Cranford .....	D9/455
D. 291,184	8/1987	Baril .....	D9/455
D. 343,266	1/1994	Gromer .....	D32/54
D. 353,242	12/1994	McCoy et al. ....	D32/54
2,685,992	8/1954	Cornell .....	220/737
4,407,584	10/1983	Boudin et al. ....	366/279
4,519,565	5/1985	Whitmore .....	248/237

FIG. 1 perspective view of paint can holder of the present invention;  
FIG. 2: side view of the paint can holder of the present invention; and,  
FIG. 3 end-on view of the paint can holder of the present invention.  
The broken line showing of a paint can is for illustrative purposes only and forms no part of the claimed drawing.

**1 Claim, 3 Drawing Sheets**



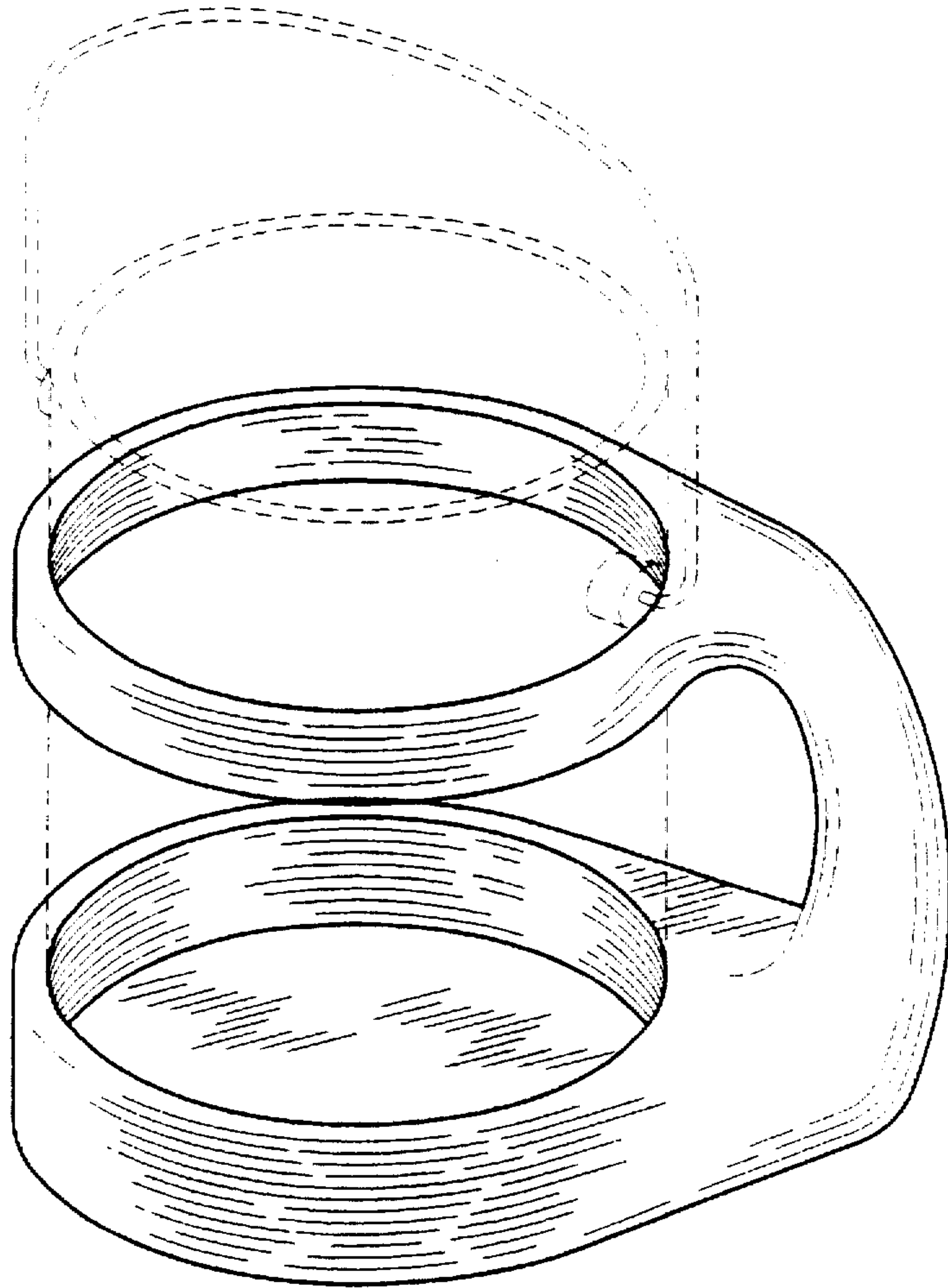


FIG. 1

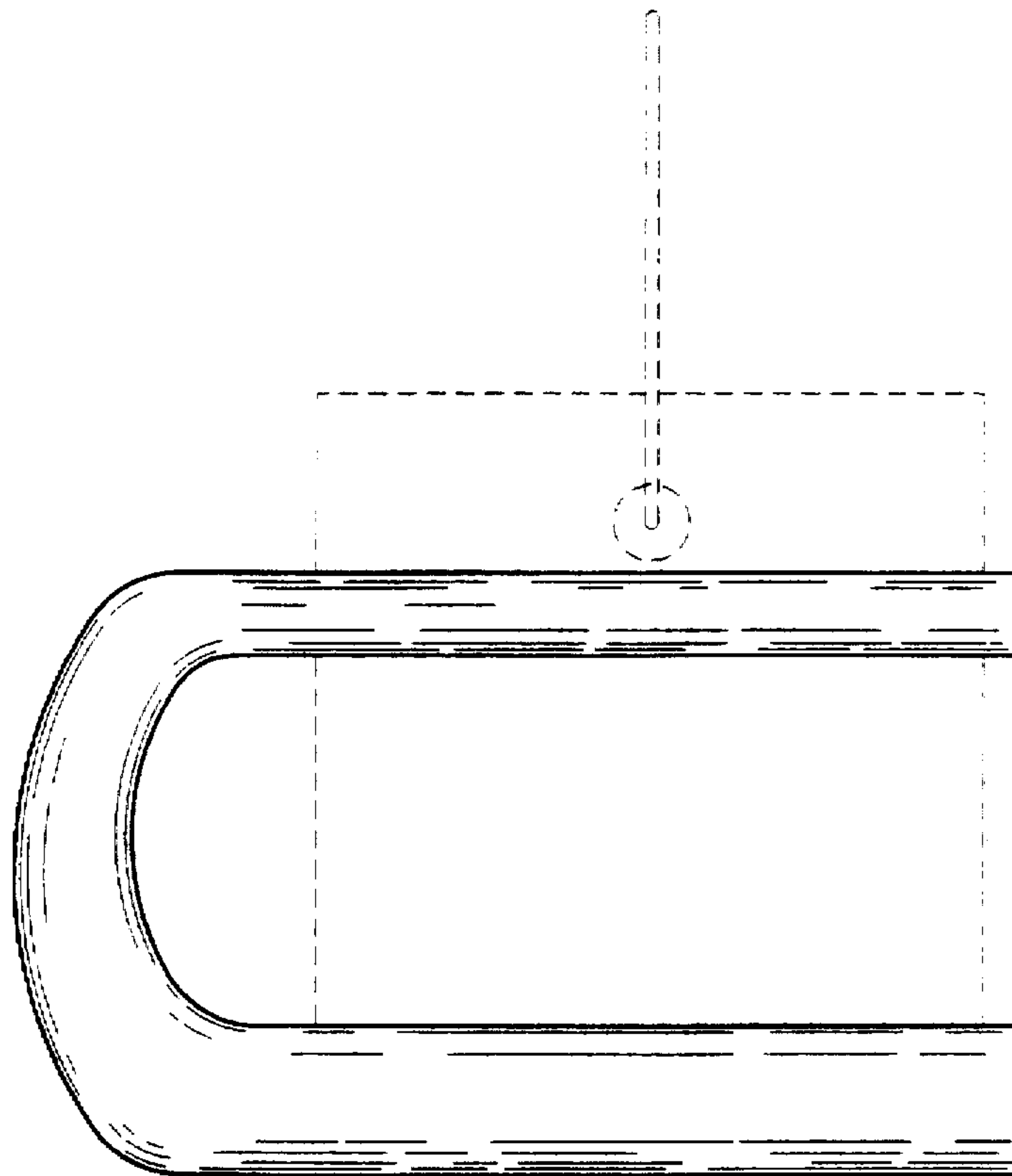


FIG. 2.

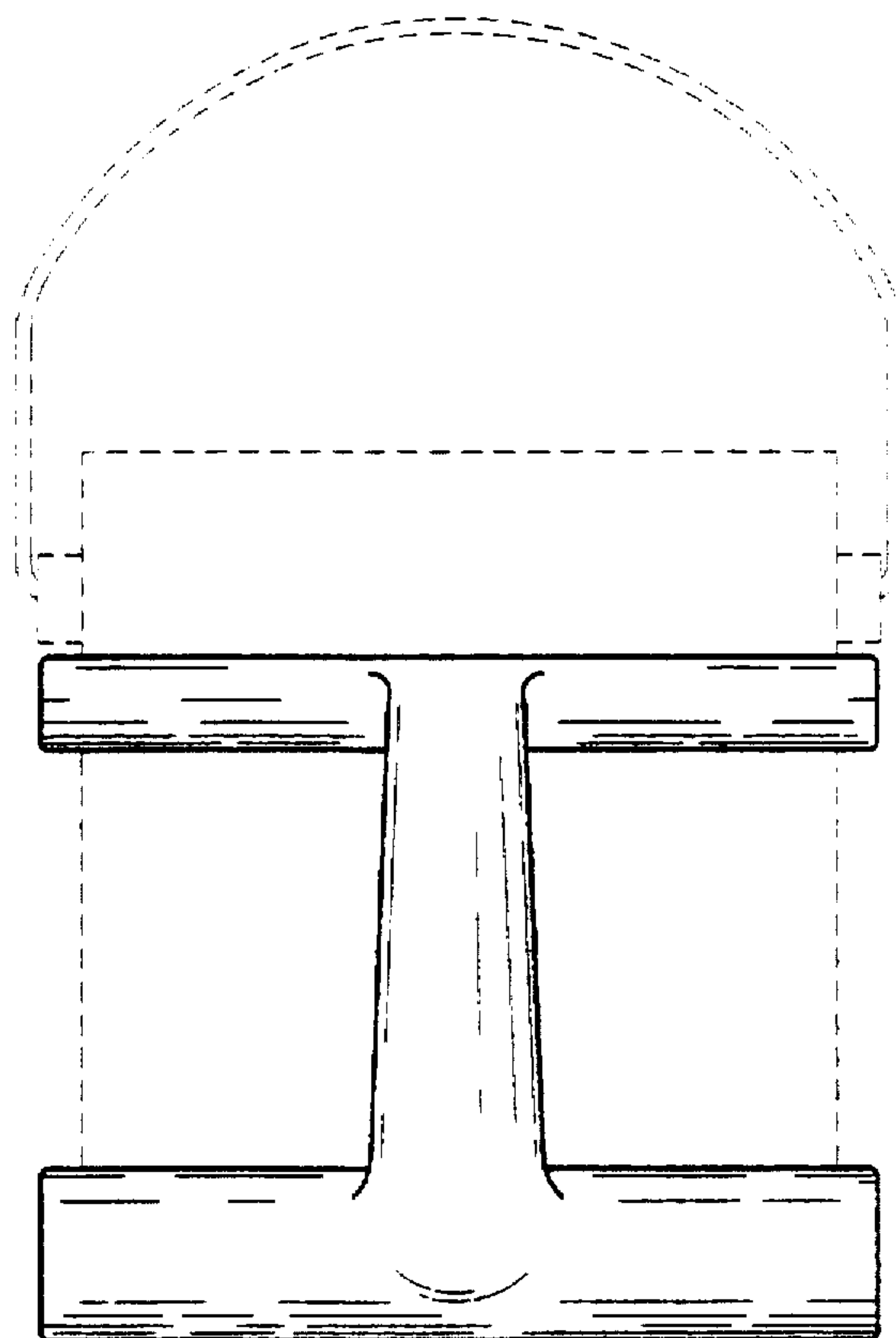


FIG. 3.