



US00D395824S

United States Patent [19]
Durliat

[11] **Patent Number:** **Des. 395,824**
[45] **Date of Patent:** ****Jul. 7, 1998**

[54] **SOLID DEODORANT PACKAGE**
[75] **Inventor:** **Leonora M. Durliat**, Toledo, Ohio
[73] **Assignee:** **Owens-Illinois Closure Inc.**, Toledo, Ohio
[**] **Term:** **14 Years**
[21] **Appl. No.:** **69,956**
[22] **Filed:** **Apr. 18, 1997**
[51] **LOC (6) Cl.** **09-07**
[52] **U.S. Cl.** **D9/430**
[58] **Field of Search** D9/414, 314, 428, D9/430, 432, 420-424, 337, 338, 522, 529; 206/77.1, 204, 581, 823, 822, 457, 458; D28/73, 82

4,235,557 11/1980 Hayes .
4,369,158 1/1983 Woodruff et al. .
4,728,210 3/1988 Barish et al. .
4,777,969 10/1988 Holloway 206/823 X
4,794,936 1/1989 Zango .
5,046,875 9/1991 Skolnik .
5,092,700 3/1992 Susini et al. .
5,326,185 7/1994 Dornbusch et al. .
5,368,178 11/1994 Towns et al. .
5,375,734 12/1994 Tiramani 206/823 X
5,496,122 3/1996 Fattori .

Primary Examiner—Prabhakar G. Deshmukh

[57] **CLAIM**

The ornamental design for a solid deodorant package, as shown and described.

DESCRIPTION

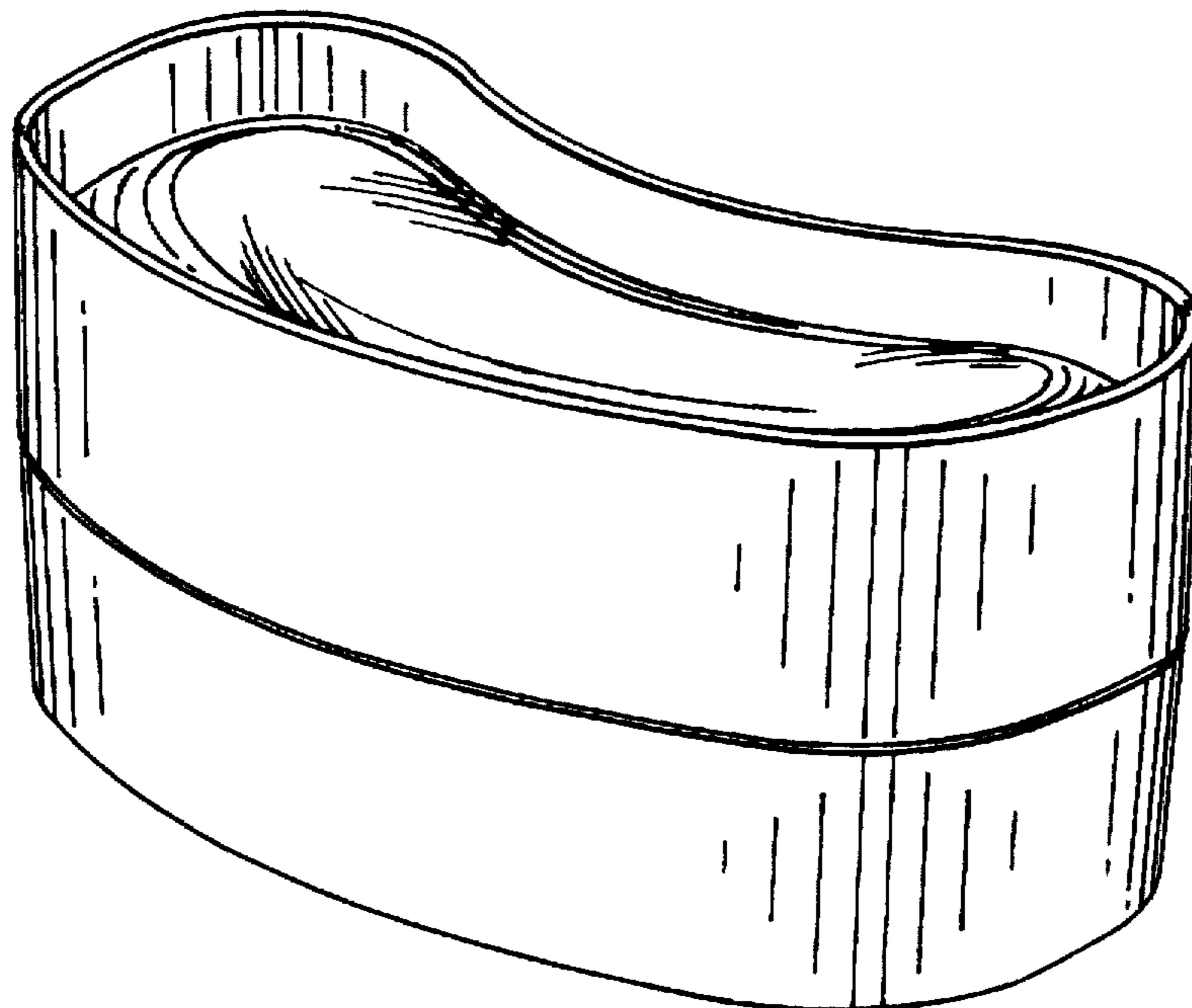
FIG. 1 is a perspective view of a solid deodorant package showing my novel design;
FIG. 2 is a top plan view;
FIG. 3 is a front elevational view;
FIG. 4 is a bottom plan view;
FIG. 5 is a rear elevational view; and
FIG. 6 is a side elevational view taken from the left in FIG. 4, the opposite side elevational view being a mirror image of this view.

[56] **References Cited**

U.S. PATENT DOCUMENTS

D. 53,386 5/1919 Thomas D9/522 X
D. 244,353 5/1977 Skjelby et al. D9/432 X
D. 331,534 12/1992 Thompson et al. D9/338
D. 342,895 1/1994 Mall D9/423
D. 350,476 9/1994 Costa D9/314
D. 353,330 12/1994 Kudo et al. D9/522
2,815,057 12/1957 Tupper .
3,133,662 5/1964 Seidler .

1 Claim, 2 Drawing Sheets



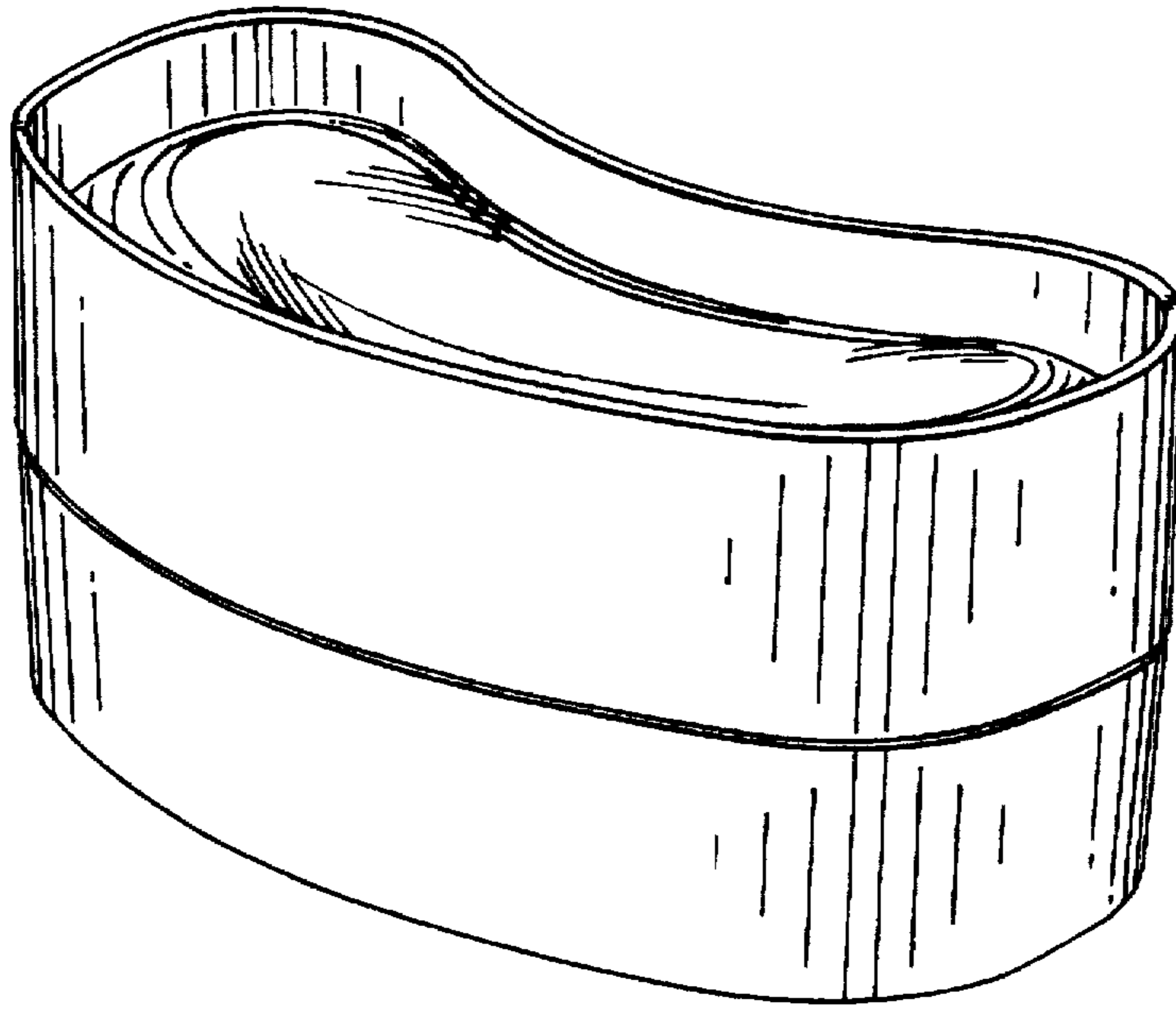


FIG. 1

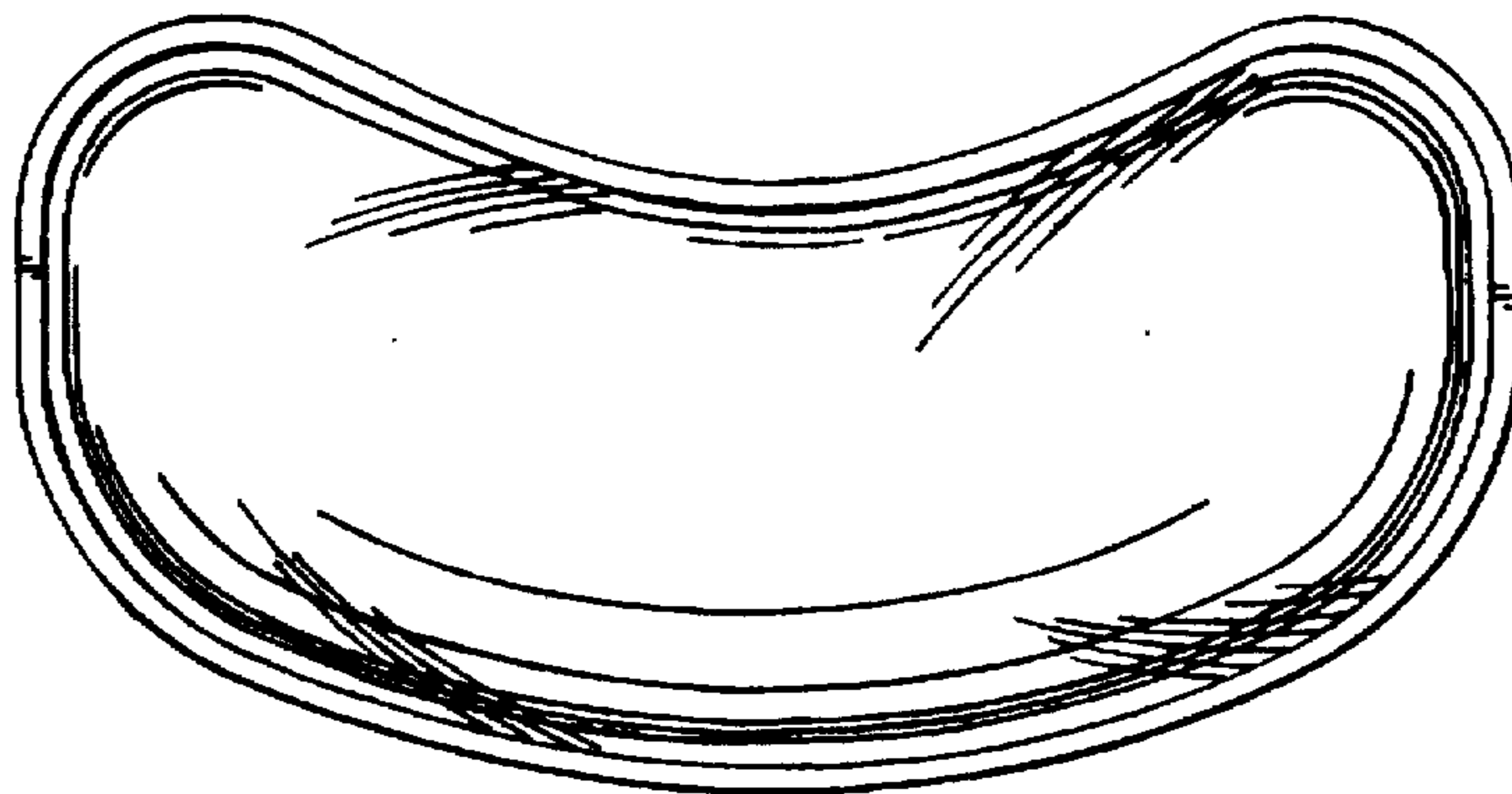


FIG. 2

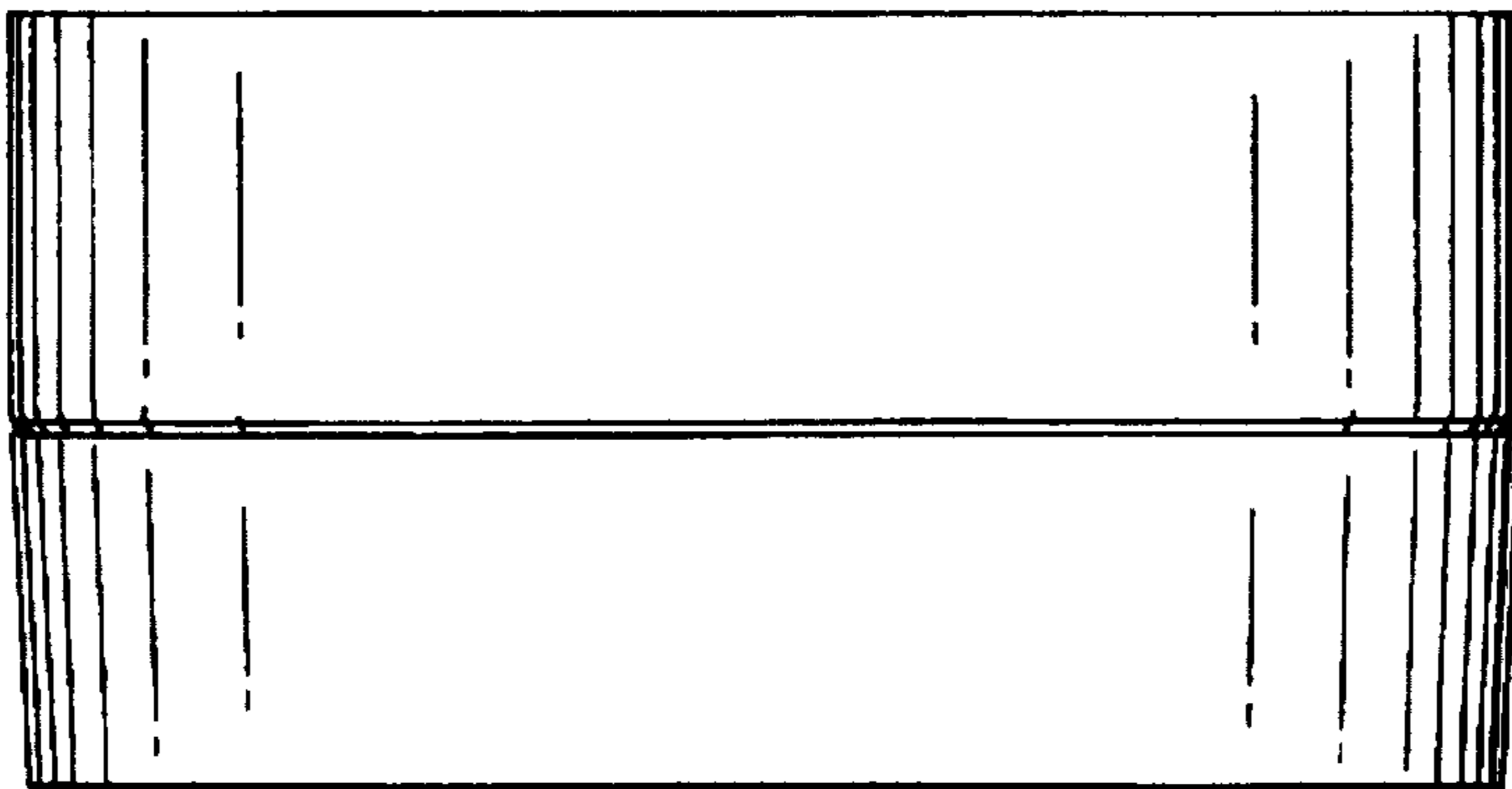


FIG. 3

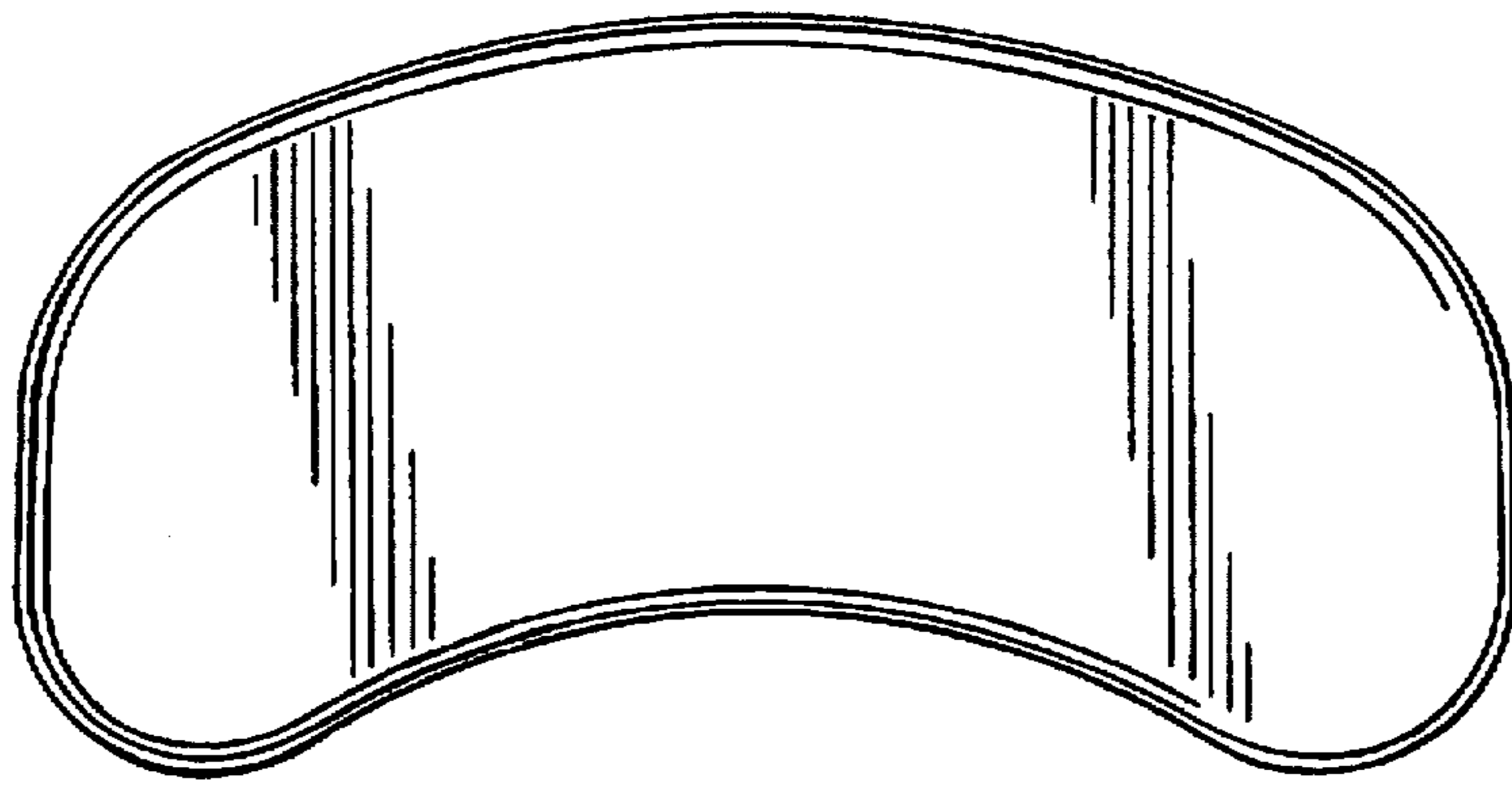


FIG. 4

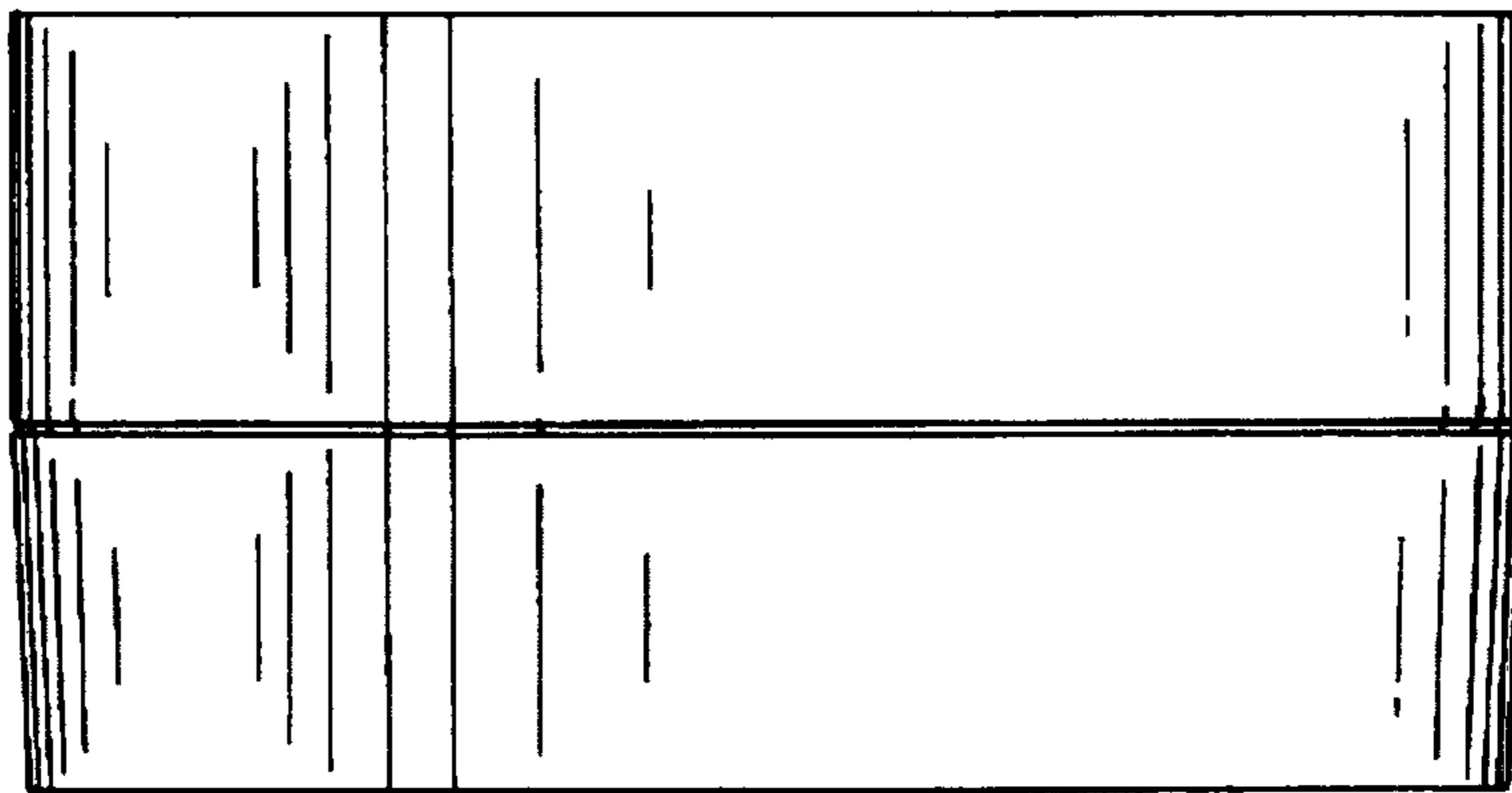


FIG. 5

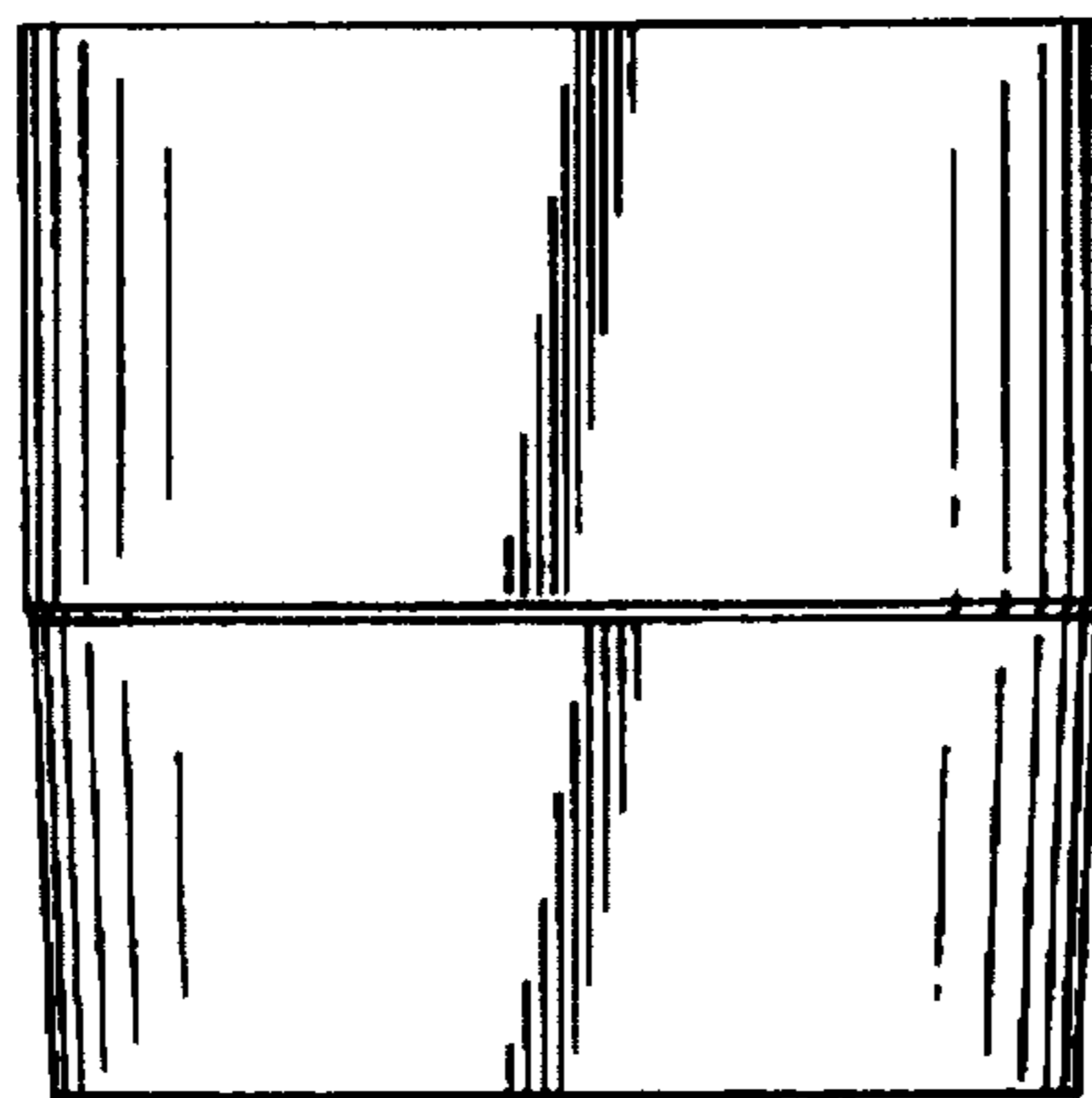


FIG. 6