



US00D395822S

**United States Patent** [19]  
**Keal et al.**

[11] **Patent Number: Des. 395,822**  
[45] **Date of Patent: \*\*Jul. 7, 1998**

[54] **CONTAINER**

[75] Inventors: **Maria Denise Keal**, Chicago; **Anne Carole Bucher**, Palatine, both of Ill.

[73] Assignee: **Kraft Foods, Inc.**, Northfield, Ill.

[\*\*] Term: **14 Years**

[21] Appl. No.: **77,544**

[22] Filed: **Oct. 3, 1997**

[51] **LOC (6) Cl.** ..... **09-07**

[52] **U.S. Cl.** ..... **D9/429; D7/608**

[58] **Field of Search** ..... D9/428, 429, 424,  
D9/425, 414; 229/406, 4.5, 87.08, 116.1;  
220/669, 670, 675; D7/602, 608; 206/551,  
499, 515, 541

- D. 288,065 2/1987 Tyler .
- D. 307,868 5/1990 Van Sumeren .
- D. 313,353 1/1991 Hart et al. .
- D. 342,447 12/1993 Aylward .
- 2,142,811 1/1939 Agonis .
- 3,001,683 9/1961 Goodwin et al. .... 220/671 X
- 3,070,275 12/1962 Bostrom .
- 3,443,715 5/1969 Edwards ..... 220/671 X
- 3,545,645 12/1970 Smith .
- 4,197,940 4/1980 De Rossett ..... 229/406 X
- 4,478,344 10/1984 Rehrig .
- 5,224,614 7/1993 Bono et al. .
- 5,305,911 4/1994 Aylward .
- 5,415,339 5/1995 Howard .
- 5,613,607 3/1997 Kalmanides et al. .... 206/551 X

**OTHER PUBLICATIONS**

Ultrafresh Containers, p. 22, Mar. 1995.

*Primary Examiner*—Prabhakar G. Deshmukh

*Attorney, Agent, or Firm*—Fitch, Even, Tabin & Flannery

[56] **References Cited**

**U.S. PATENT DOCUMENTS**

- D. 22,701 8/1893 McGill .
- D. 93,461 10/1934 De Vaultier .
- D. 155,559 10/1949 Tillmann .
- D. 192,485 3/1962 Eicholtz .
- D. 192,657 4/1962 Mox .
- D. 193,118 6/1962 Bostrom .
- D. 193,586 9/1962 Eicholtz .
- D. 195,699 7/1963 Bostrom .
- D. 195,741 7/1963 Kulow ..... D9/429
- D. 198,721 7/1964 Eicholtz ..... D9/429
- D. 204,212 3/1966 Davis .
- D. 229,395 11/1973 Chang .
- D. 280,588 9/1985 Schrage .

[57] **CLAIM**

The ornamental design for a container, as shown and described.

**DESCRIPTION**

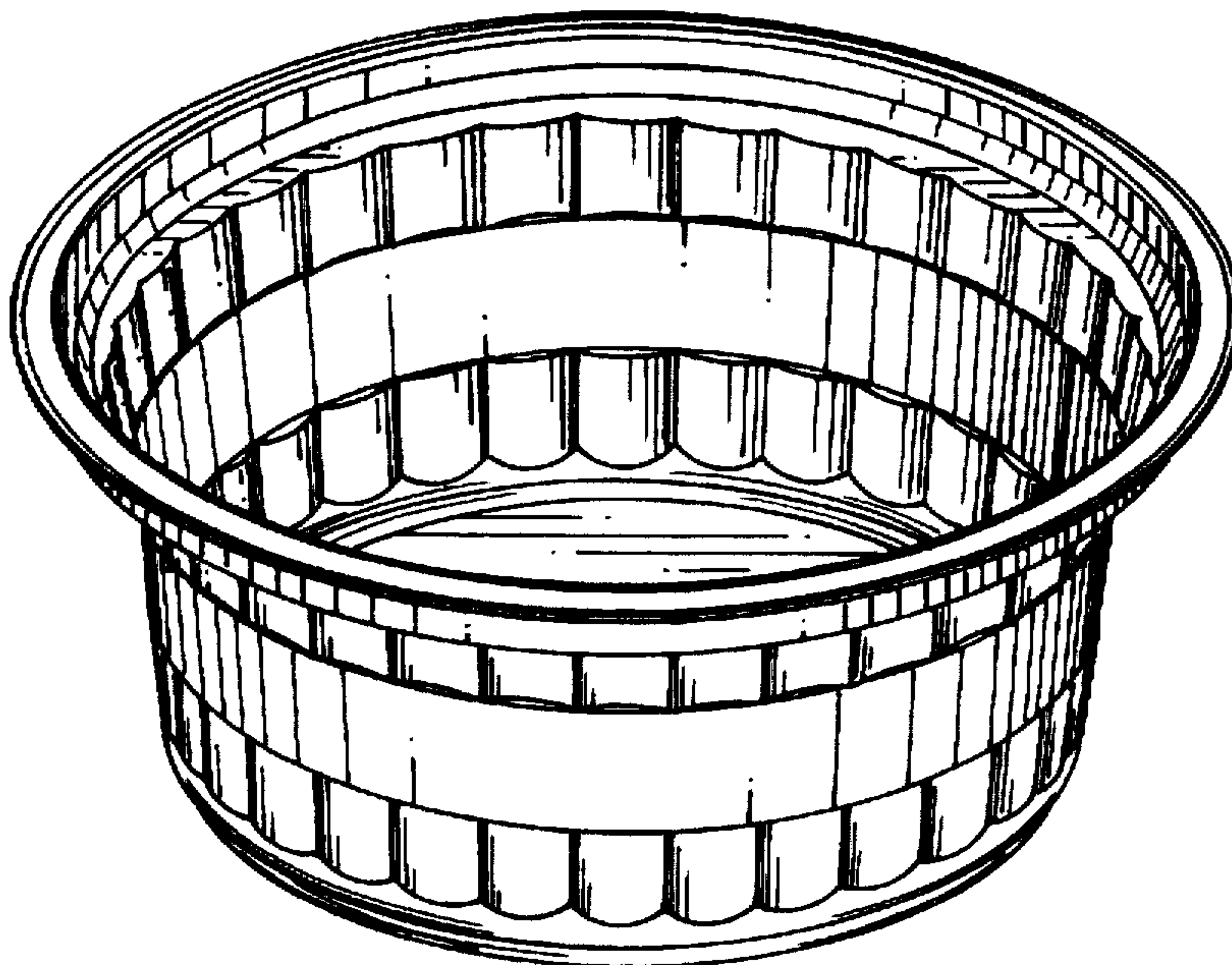
FIG. 1 is a perspective view of a container showing our new design;

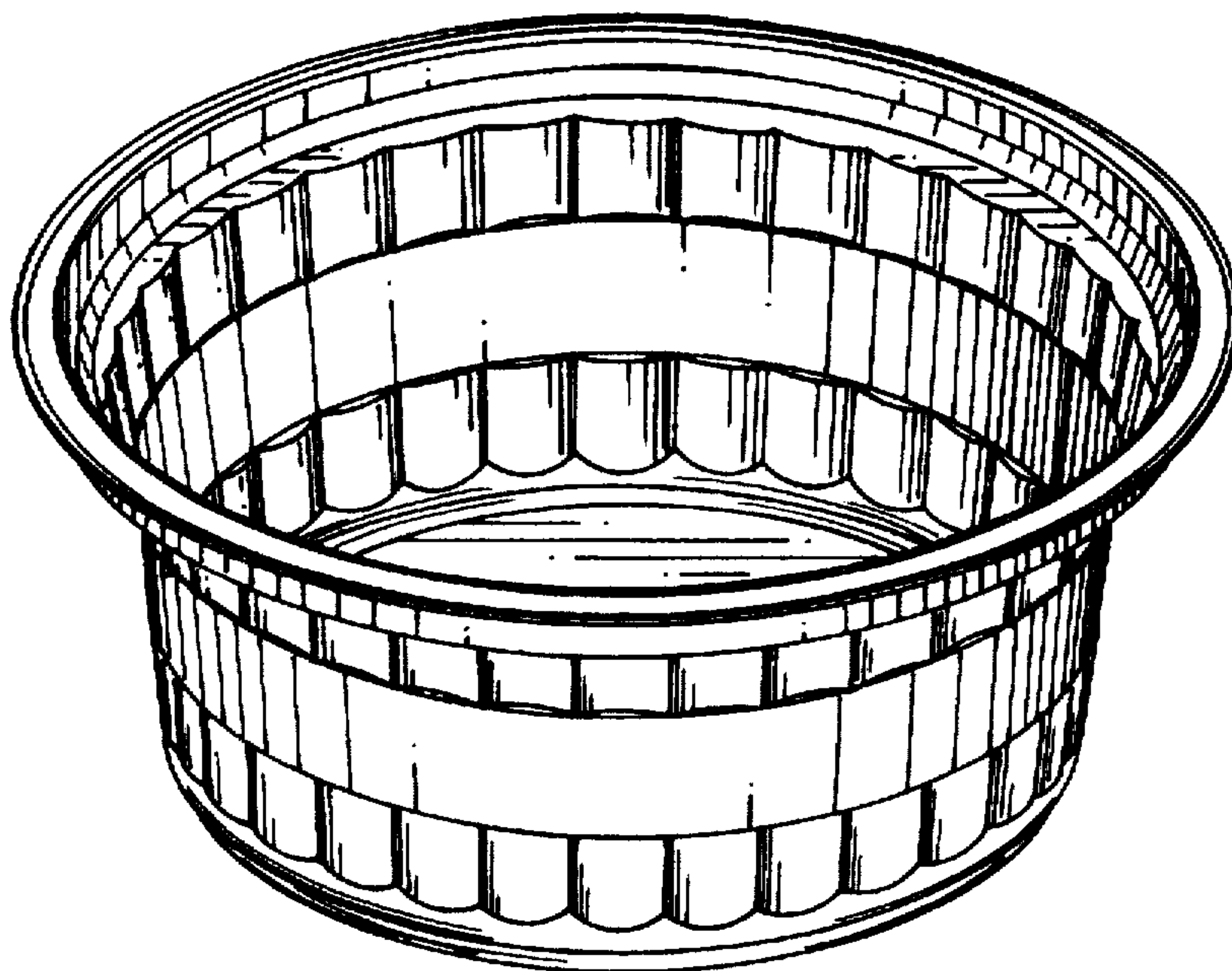
FIG. 2 is a top plan view thereof;

FIG. 3 is a bottom plan view thereof; and,

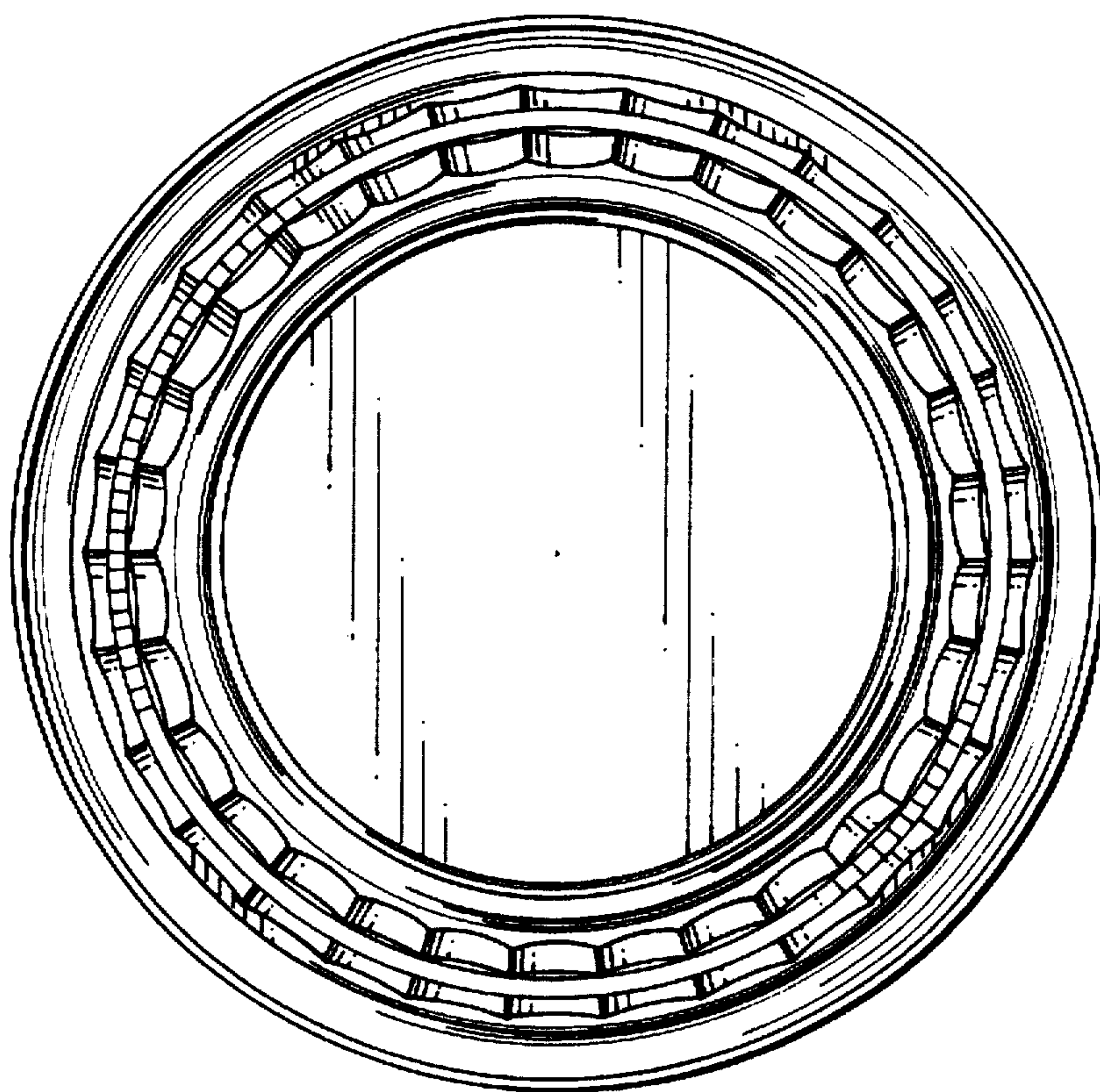
FIG. 4 is a side elevational view thereof.

**1 Claim, 2 Drawing Sheets**





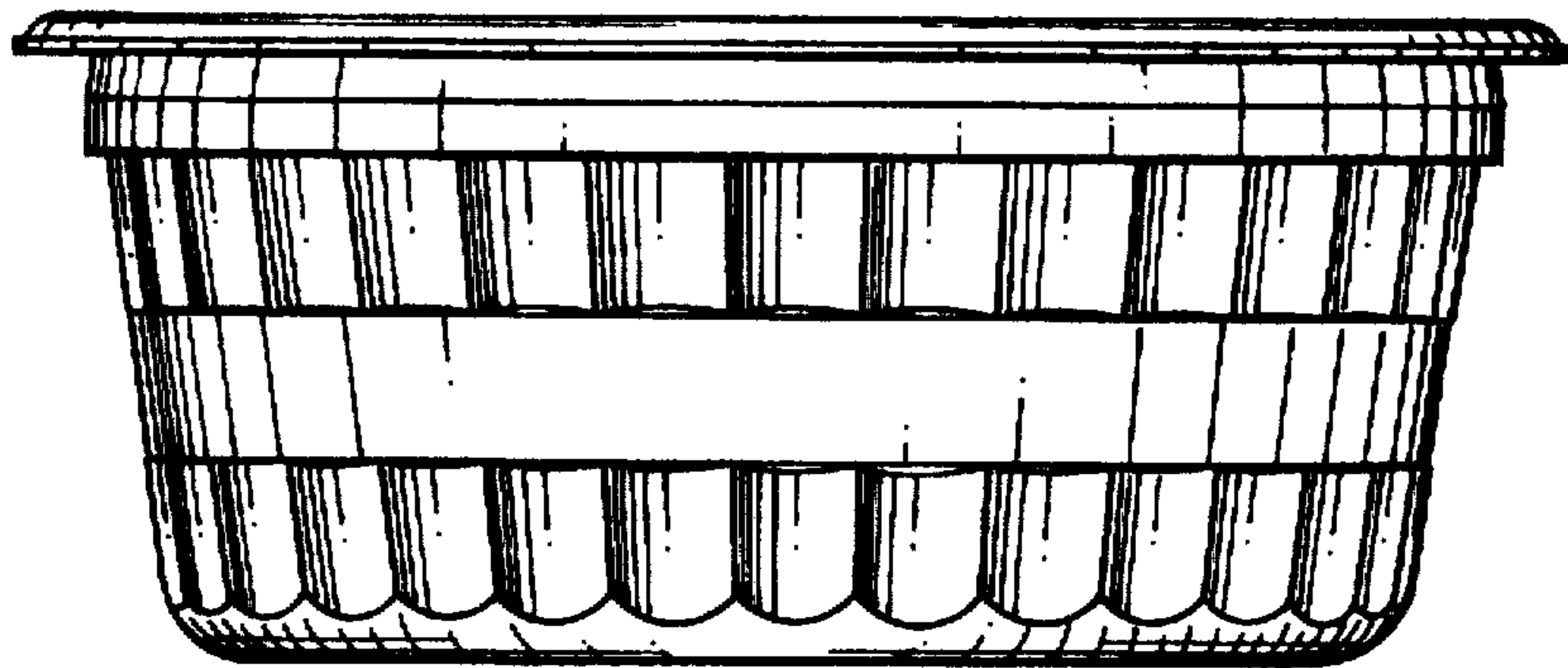
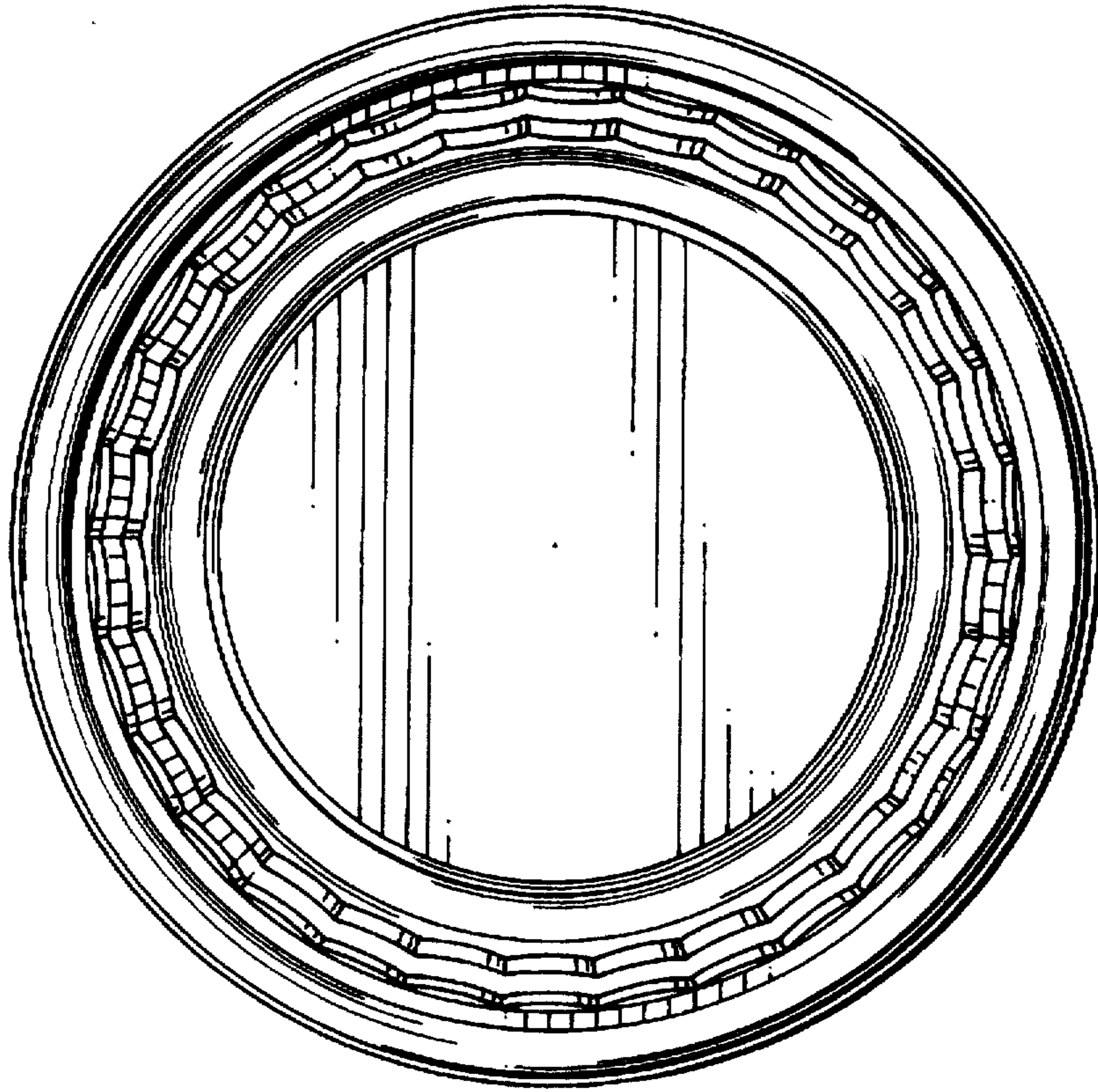
*Fig. 1*



*Fig. 2*



*Fig. 3*



*Fig. 4*