



US00D395820S

United States Patent [19]

Motta

[11] Patent Number: **Des. 395,820**

[45] Date of Patent: ****Jul. 7, 1998**

[54] **PACKAGE**

[75] Inventor: **Vincent C. Motta**, West Norwalk, Conn.

[73] Assignee: **Warner-Lambert Company**, Morris Plains, N.J.

[**] Term: **14 Years**

[21] Appl. No.: **67,968**

[22] Filed: **Apr. 15, 1997**

[51] LOC (6) Cl. **09-07**

[52] U.S. Cl. **D9/415**

[58] Field of Search D9/414, 415, 418, D9/345, 346; 426/106, 129; 206/461-471, 495, 216, 541; 229/87.01, 87.08, 87.06, 87.19, 87.03, 905

[56] **References Cited**

U.S. PATENT DOCUMENTS

D. 347,386 5/1994 Conway D9/345

D. 352,236	11/1994	Althaus	D9/415
D. 378,894	4/1997	Mello	D9/345
3,900,105	8/1975	Wolfelsperger	206/471
3,912,823	10/1975	Kane	206/471 X
4,204,599	5/1980	Dunn	206/461 X
4,369,885	1/1983	Redmond	206/461 X
5,087,462	2/1992	Bekele et al.	426/429

Primary Examiner—Prabhakar G. Deshmukh
Attorney, Agent, or Firm—Charles W. Almer

[57] **CLAIM**

The ornamental design for a package, as shown and described.

DESCRIPTION

FIG. 1 is a perspective view of the package; FIG. 2 is a top view of the package; FIG. 3 is a front view of the package; FIG. 4 is a left side view of the package; FIG. 5 is a right side view of the package; FIG. 6 is a bottom view of the package; and FIG. 7 is a rear view of the package.

1 Claim, 4 Drawing Sheets

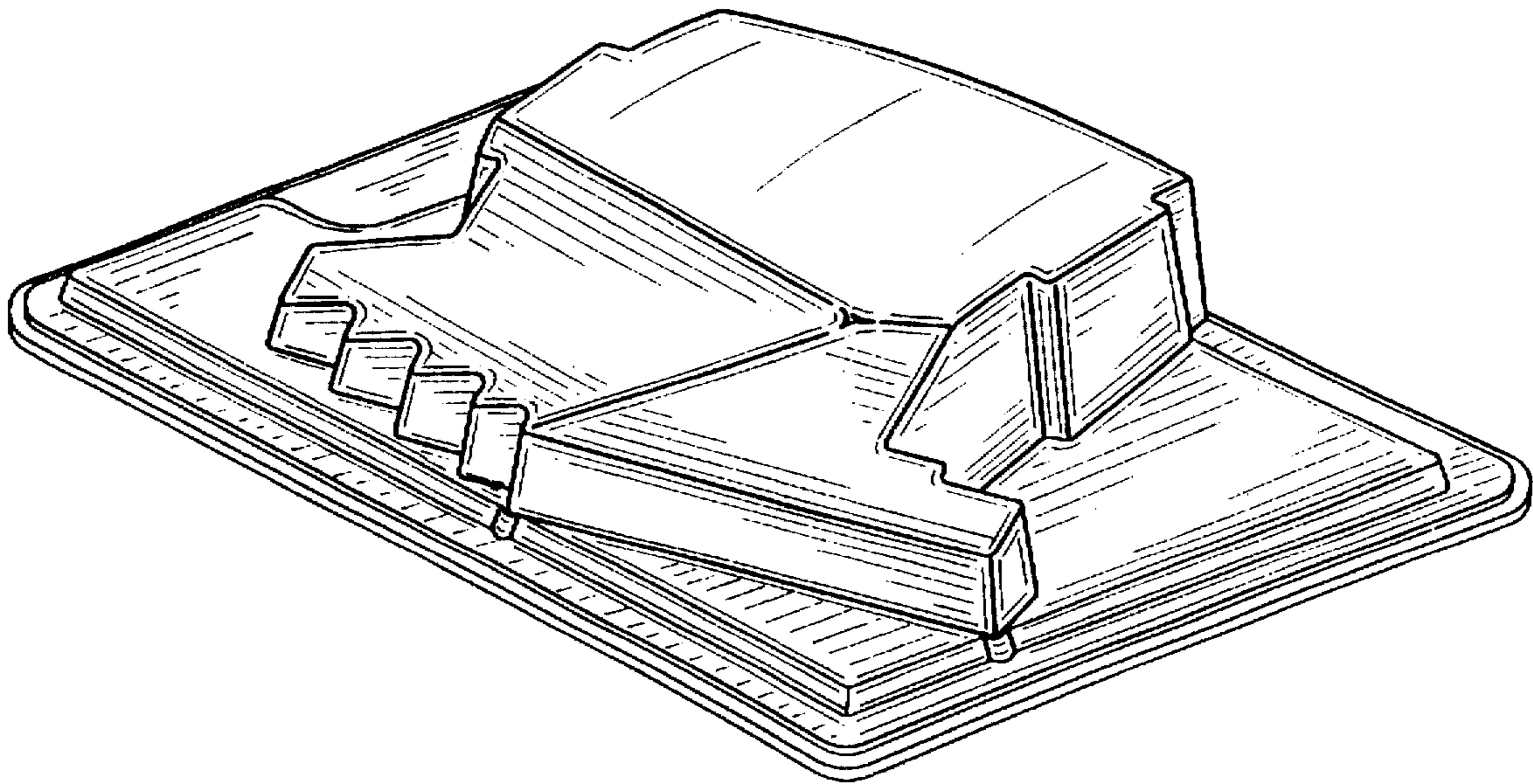


FIG-1

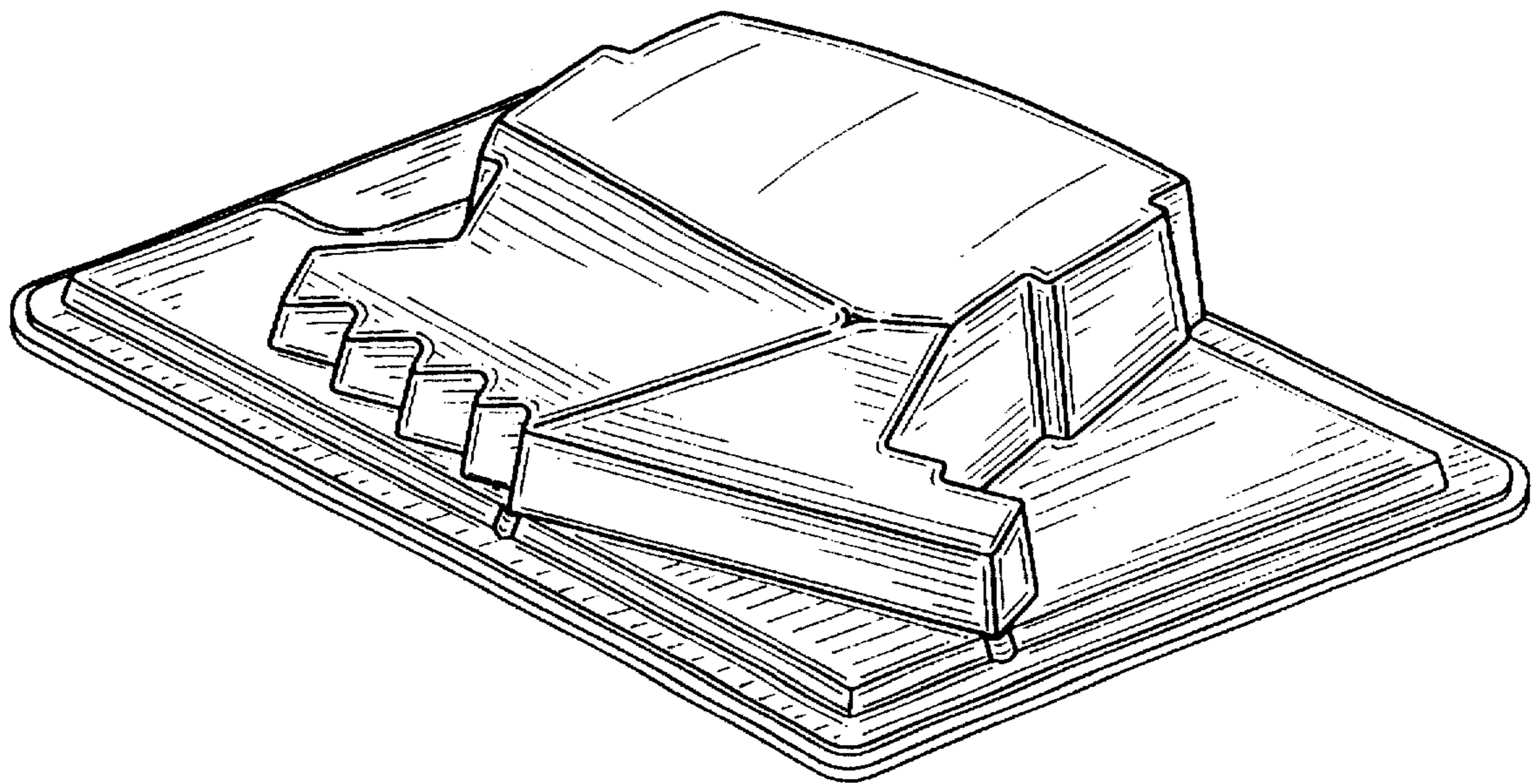


FIG-2

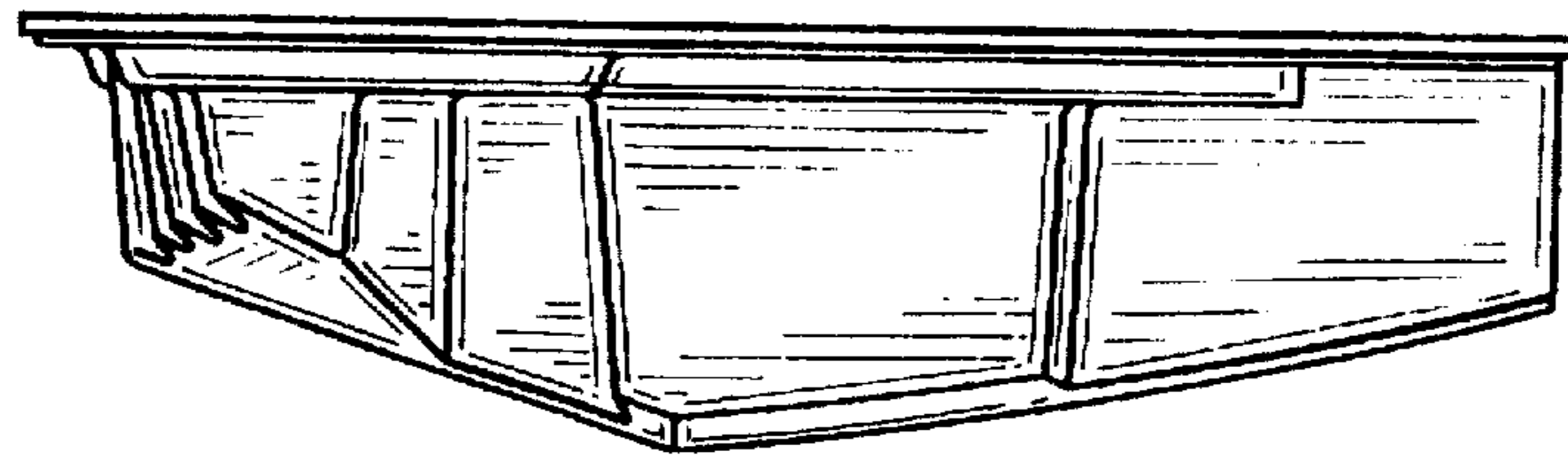


FIG-3

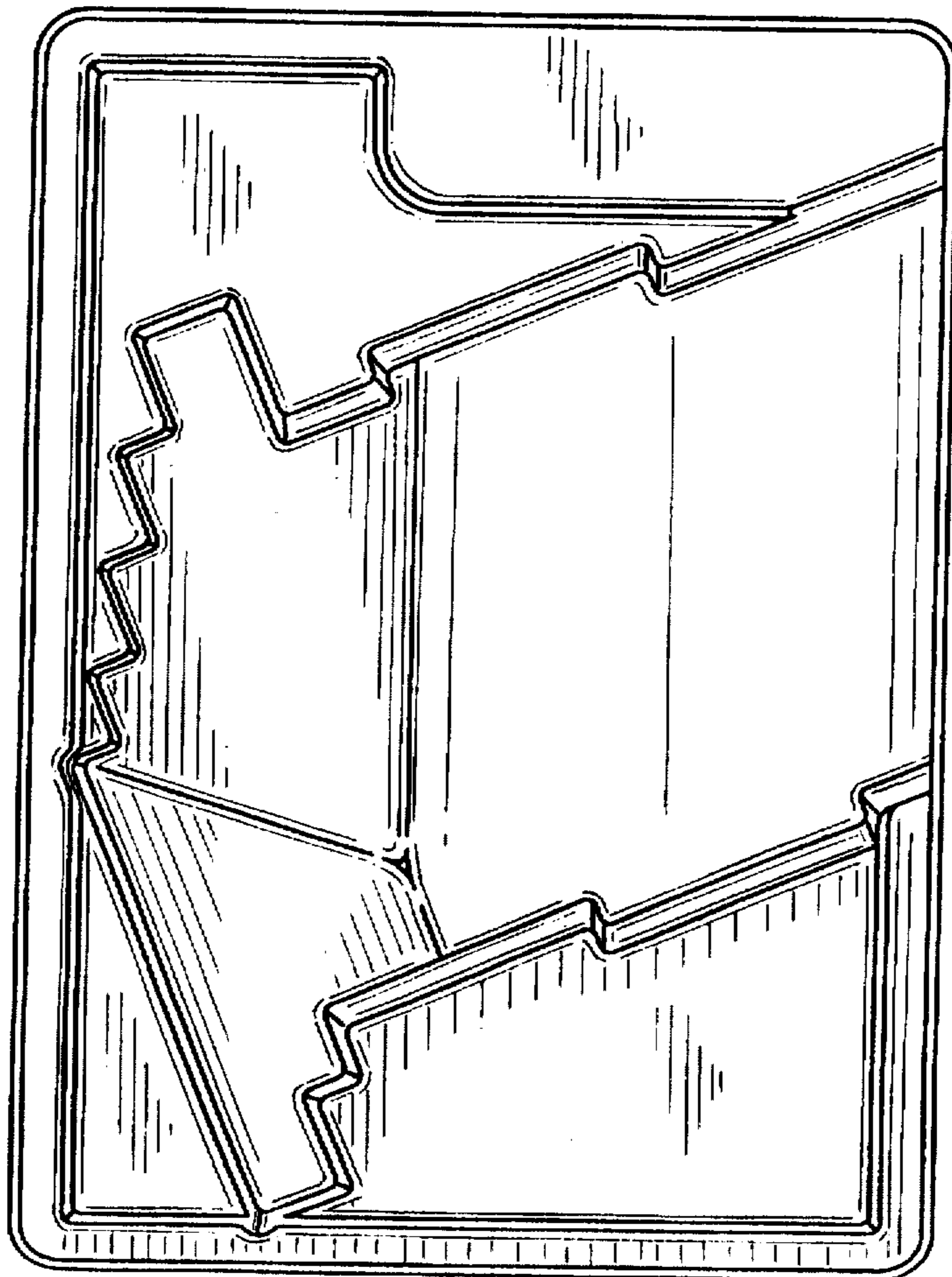


FIG-4

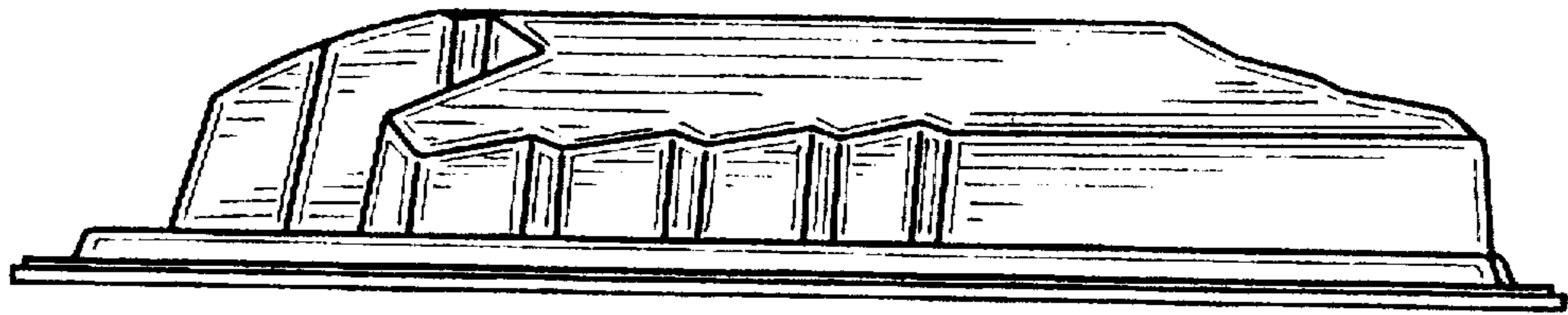


FIG-5

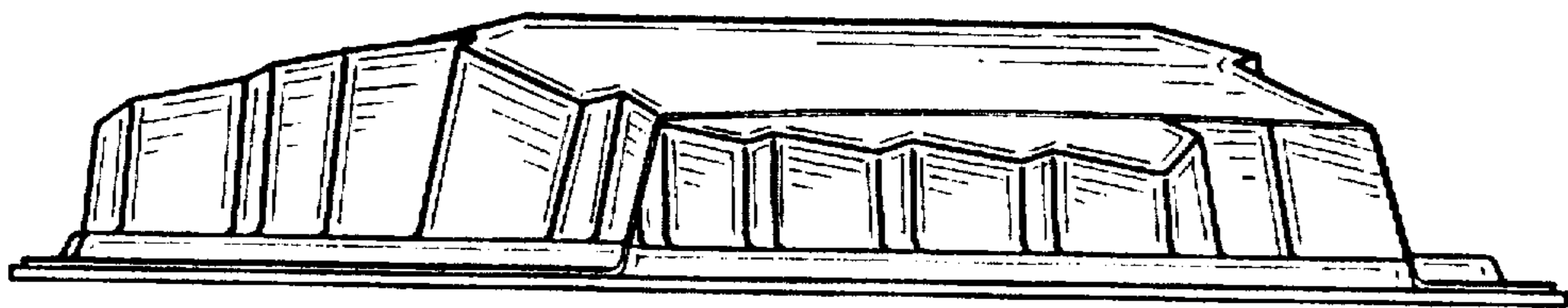


FIG-6

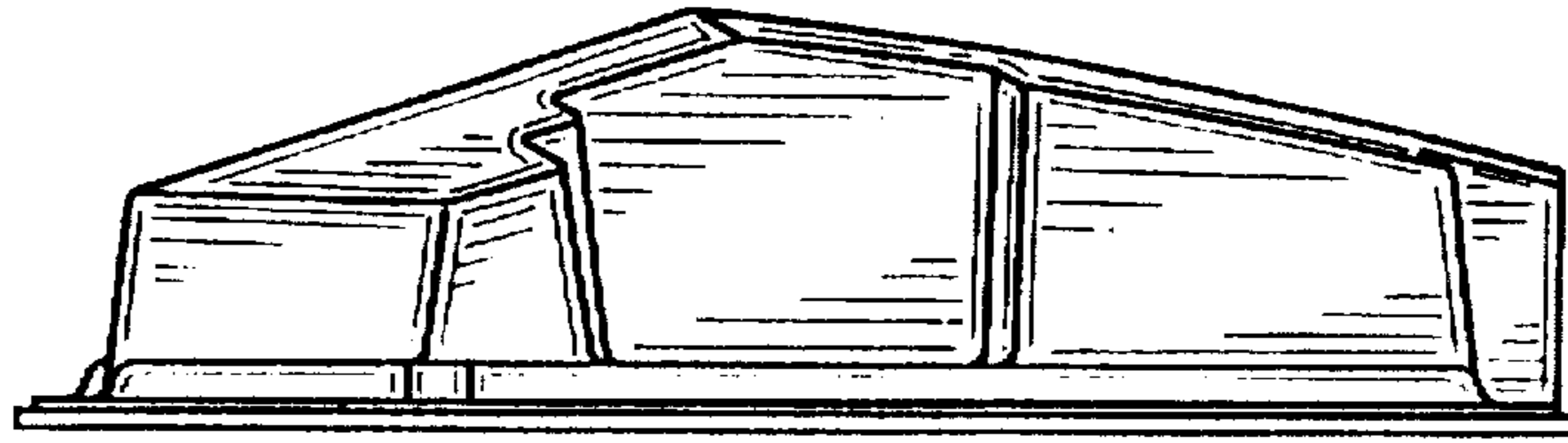


FIG-7

