



US00D395817S

United States Patent [19]
Wu

[11] **Patent Number:** **Des. 395,817**
[45] **Date of Patent:** ****Jul. 7, 1998**

[54] **CARRIER FOR CURTAIN**

D. 278,794 5/1985 Vater D8/377

[75] **Inventor:** **Junn Ming Wu, Kaohsiung, Taiwan**

Primary Examiner—Holly Baynham
Attorney, Agent, or Firm—Bacon & Thomas

[73] **Assignee:** **Bao Song Precision Industry Co., Ltd., Kaohsiung, Taiwan**

[57] **CLAIM**

[**] **Term:** **14 Years**

The ornamental design for carrier for curtain, as shown.

[21] **Appl. No.:** **77,600**

DESCRIPTION

[22] **Filed:** **Oct. 7, 1997**

[51] **LOC (6) Cl.** **08-05**

[52] **U.S. Cl.** **D8/377**

[58] **Field of Search** D8/377; 16/91,
16/97, 105-106, 107

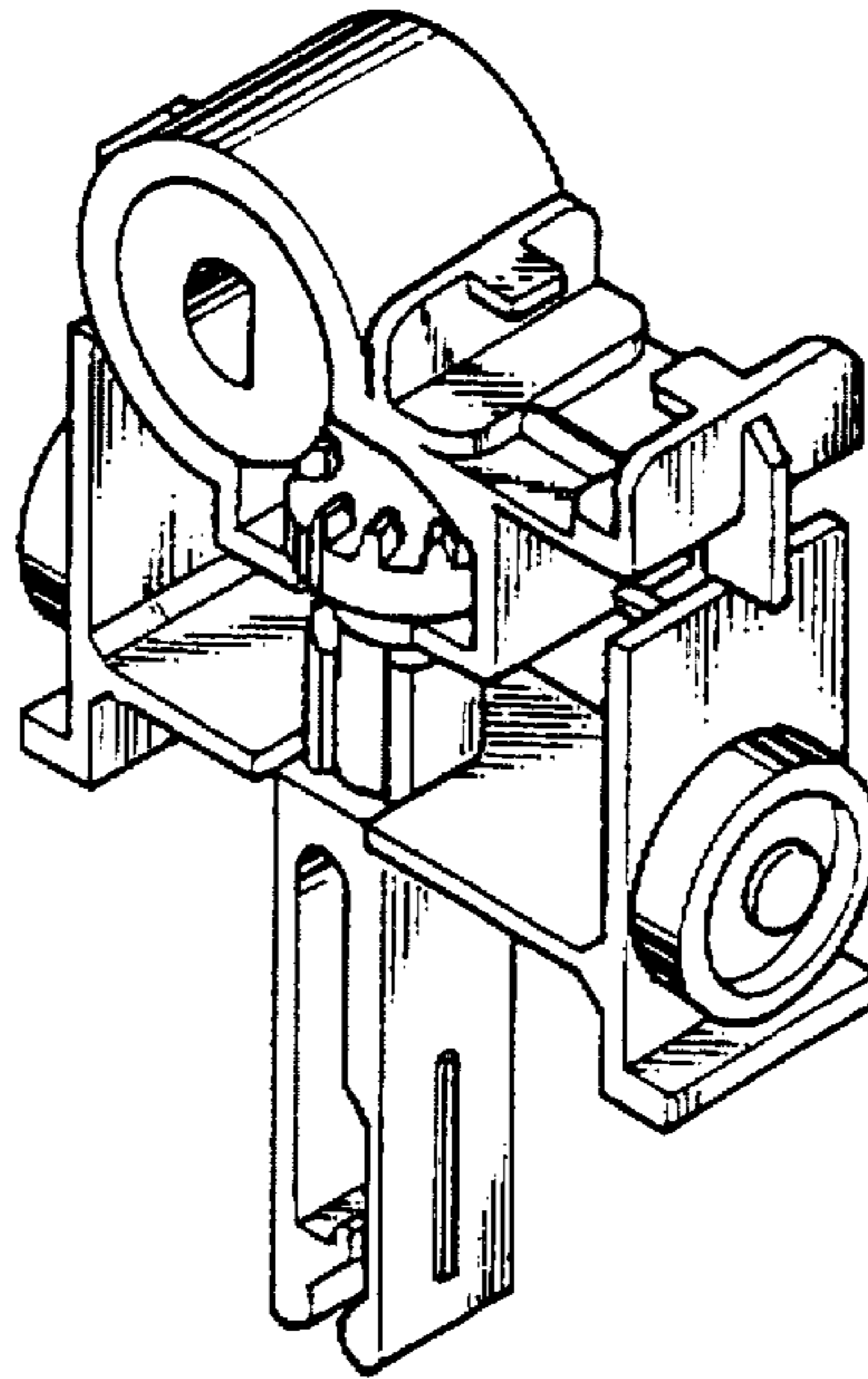
FIG. 1 is a perspective view of the carrier for curtain;
FIG. 2 is a top plan view thereof;
FIG. 3 is a front elevational view thereof;
FIG. 4 is a left side elevational view thereof;
FIG. 5 is a right side elevational view thereof;
FIG. 6 is a rear elevational view thereof; and,
FIG. 7 is a bottom plan view thereof.

[56] **References Cited**

U.S. PATENT DOCUMENTS

D. 259,330 5/1981 Stine D8/377

1 Claim, 3 Drawing Sheets



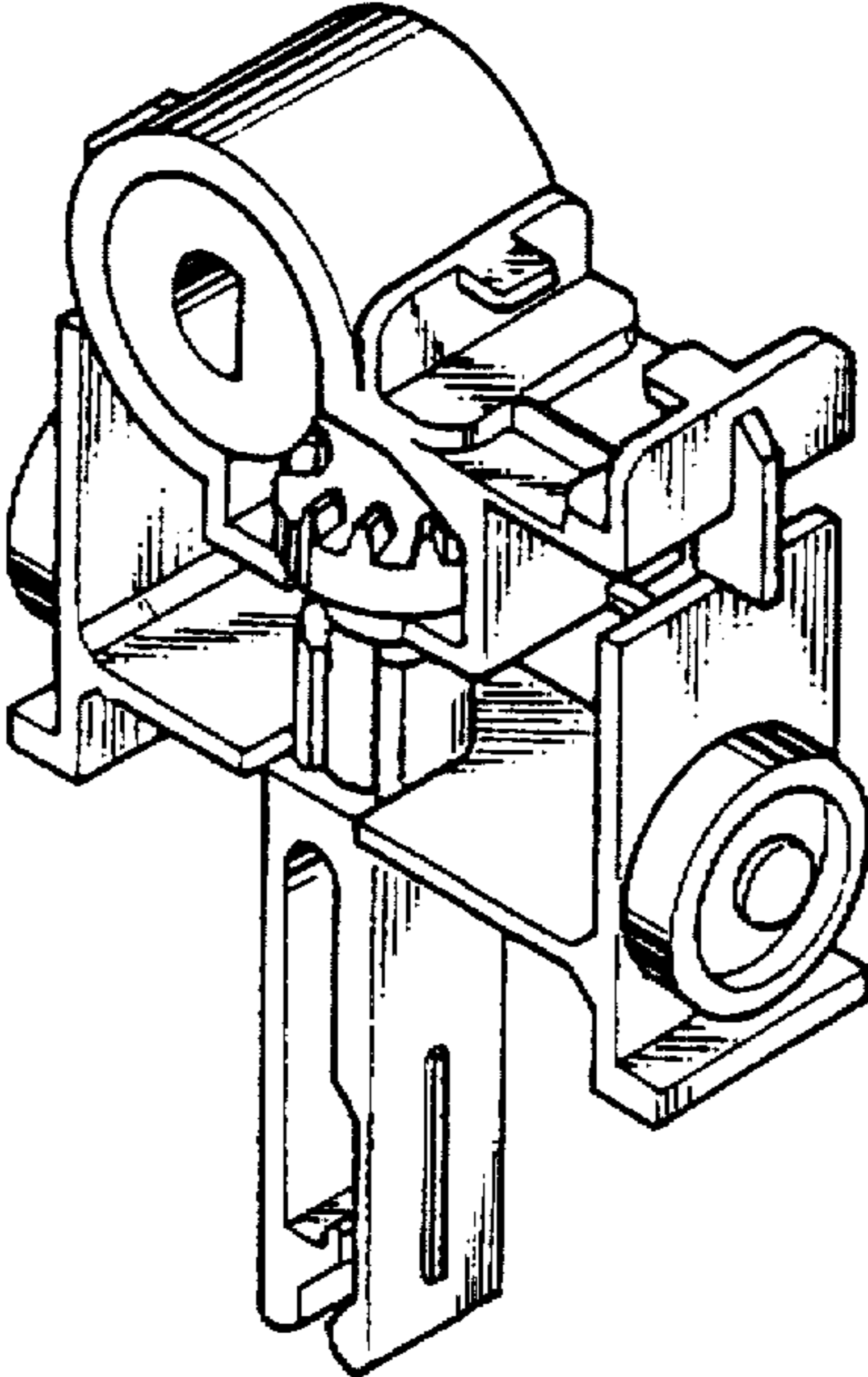


FIG. 1



FIG. 2



FIG. 4

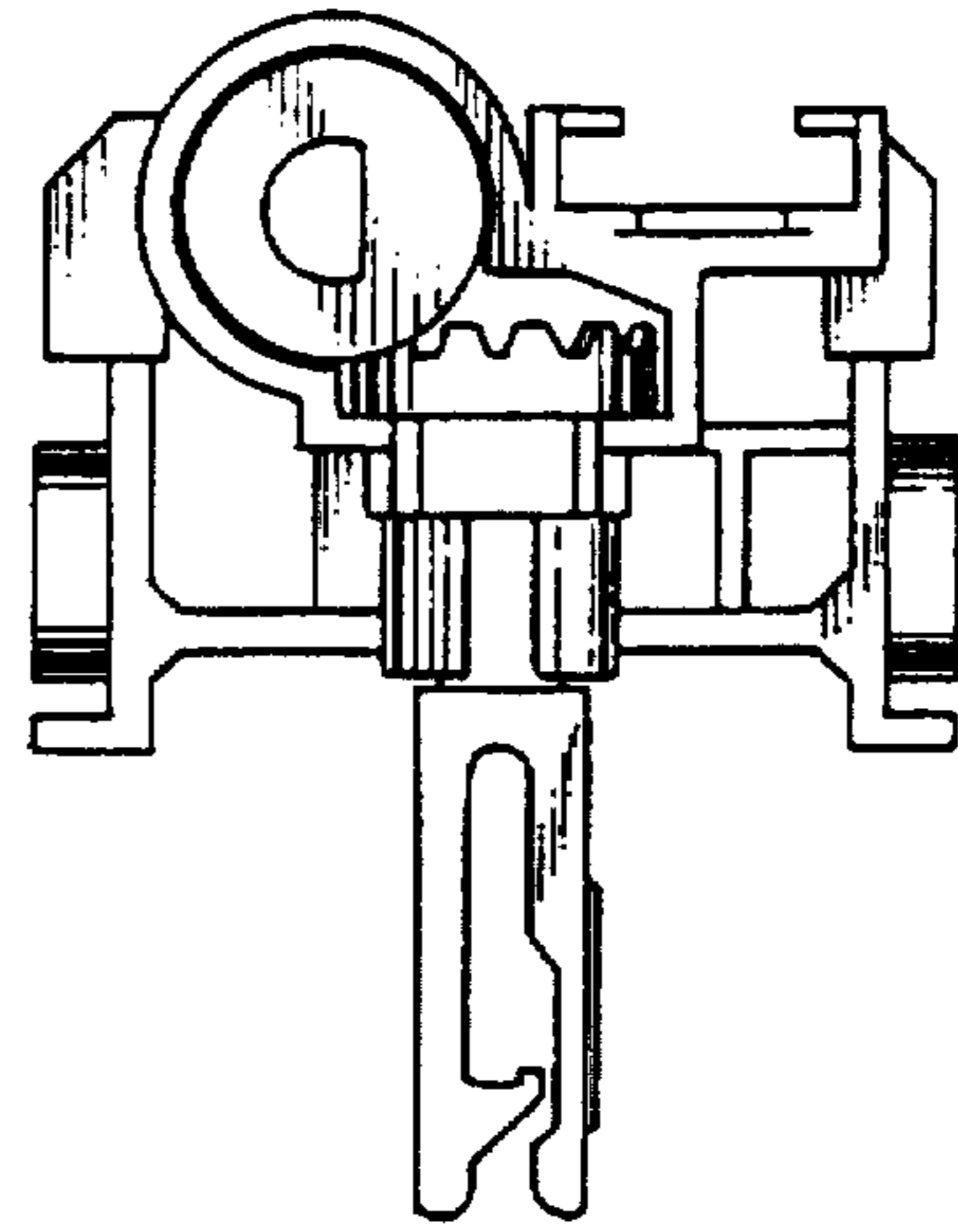


FIG. 3

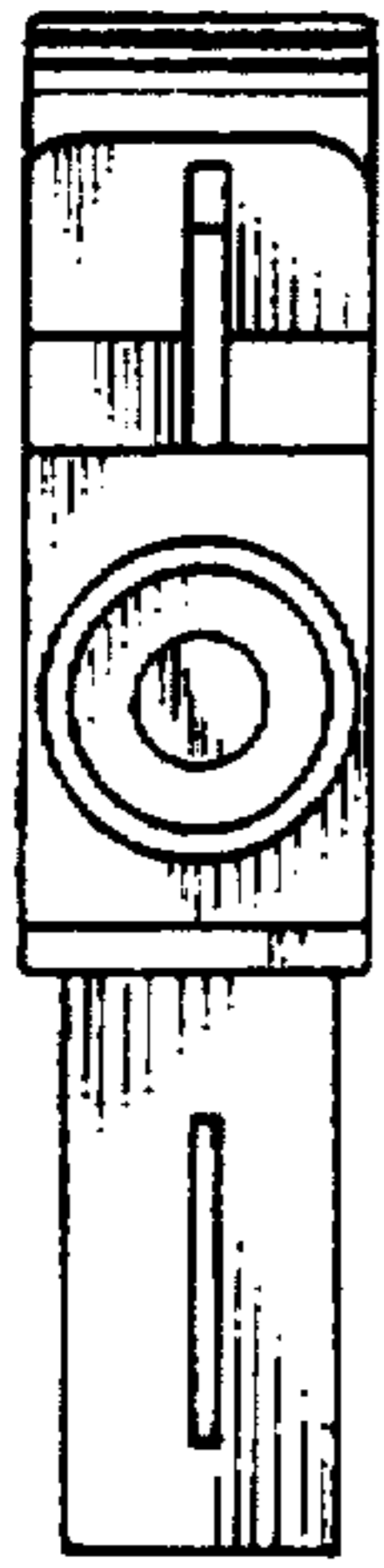


FIG. 5

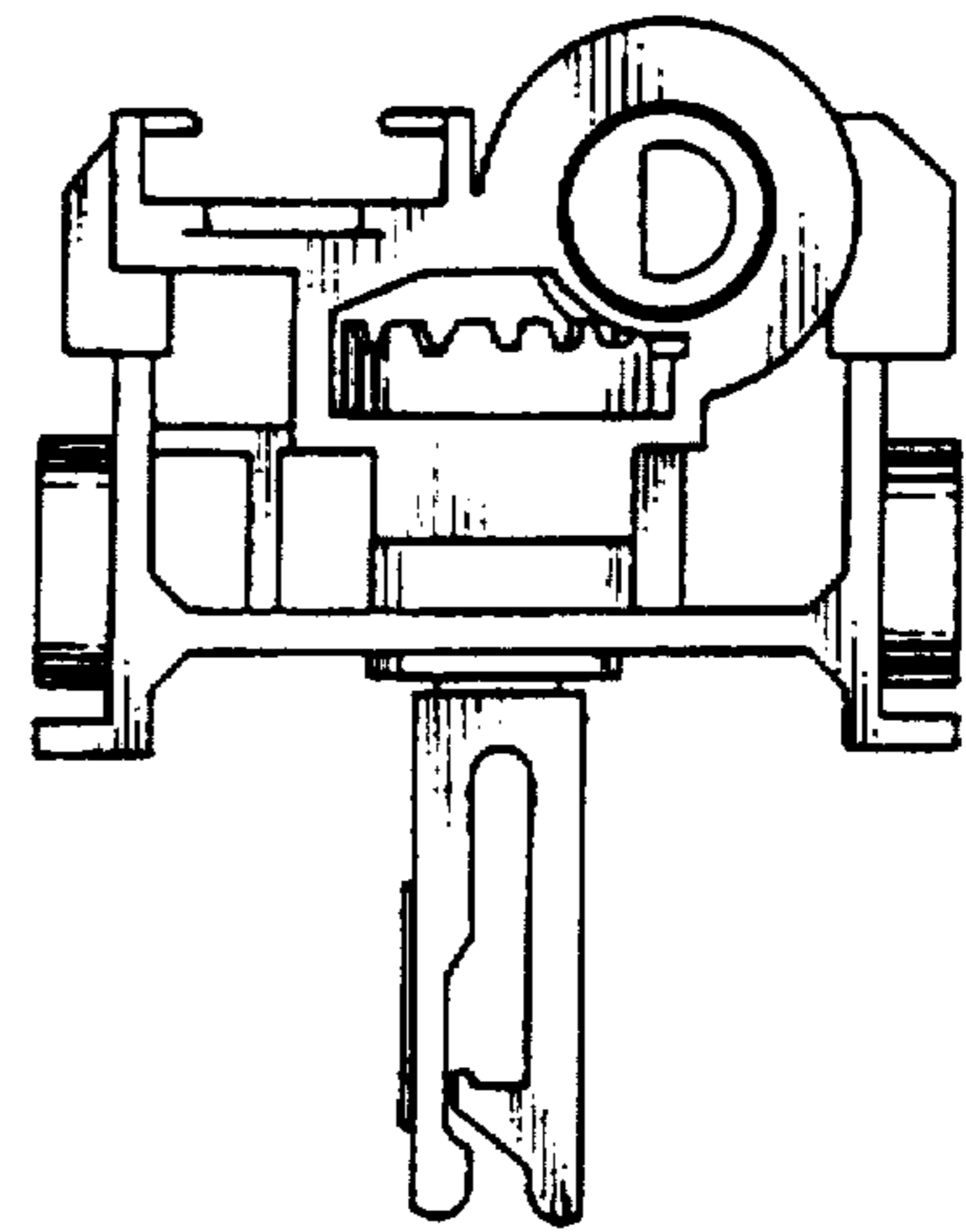


FIG. 6



FIG. 7