



US00D395811S

United States Patent [19]
Li

[11] **Patent Number:** **Des. 395,811**
[45] **Date of Patent:** ****Jul. 7, 1998**

[54] **INDICATOR HOLDING FIXTURE**

[76] **Inventor:** **Kam Kin Li**, 3387 Hunter Dr., North
Olmsted, Ohio 44070-1264

[**] **Term:** **14 Years**

[21] **Appl. No.:** **67,002**

[22] **Filed:** **Feb. 20, 1997**

[51] **LOC (6) Cl.** **08-05**

[52] **U.S. Cl.** **D8/72**

[58] **Field of Search** **D8/70-73; D15/140;**
269/101, 172, 189, 240, 246

[56] **References Cited**

U.S. PATENT DOCUMENTS

D. 267,625	1/1983	Dark	D8/72	X
4,195,895	4/1980	Ziegler	269/246	X
5,395,100	3/1995	Stienbarger	269/101	

Primary Examiner—Antoine Duval Davis
Attorney, Agent, or Firm—D. Peter Hochberg; Mark Kusner

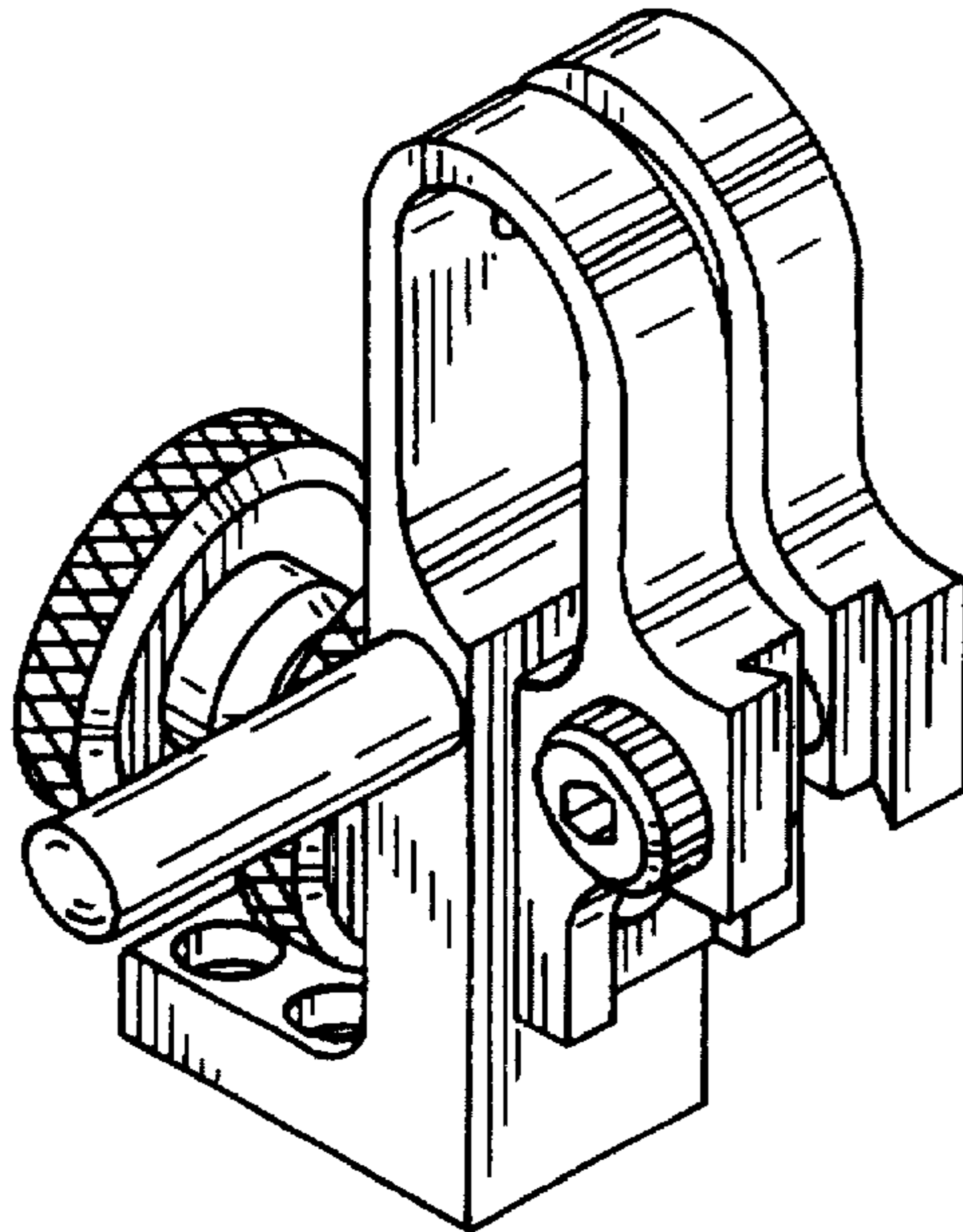
[57] **CLAIM**

The ornamental design for an indicator holding fixture, as shown and described.

DESCRIPTION

FIG. 1 is a perspective view of an indicator holding fixture illustrating my new design;
FIG. 2 is a top plan view thereof showing in phantom a dial indicator and a support beam;
FIG. 3 is an elevational view taken from one side thereof, the other side view being shown in FIG. 1 ;
FIG. 4 is a front elevational view thereof;
FIG. 5 is a rear elevational view thereof; and,
FIG. 6 is a bottom plan view thereof.

1 Claim, 3 Drawing Sheets



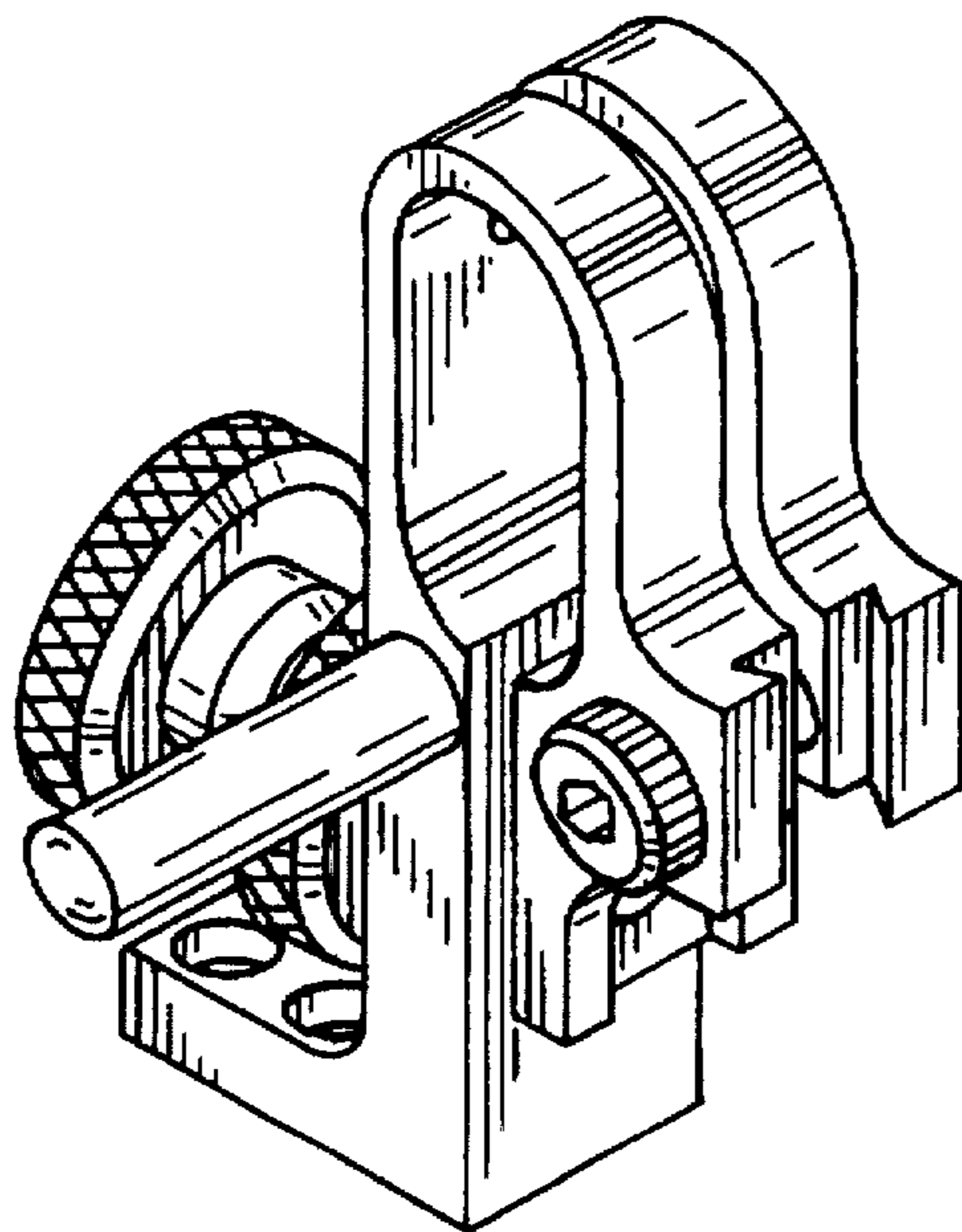


FIG. 1

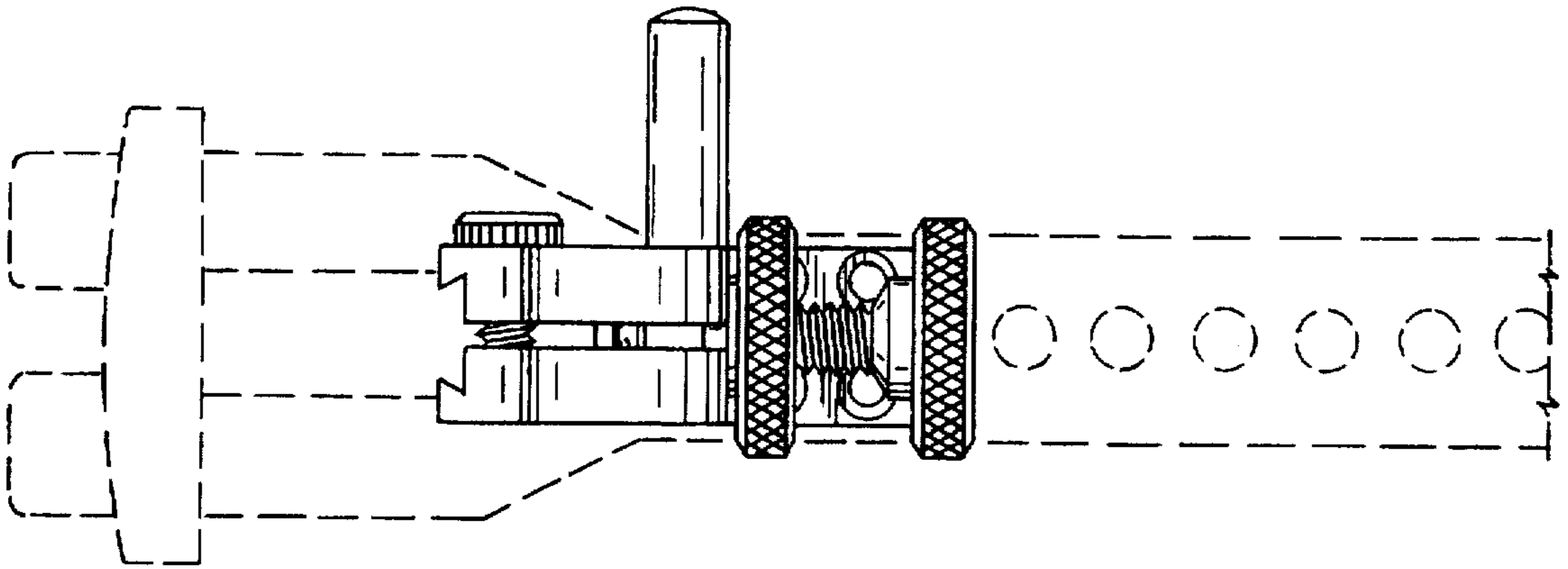


FIG. 2

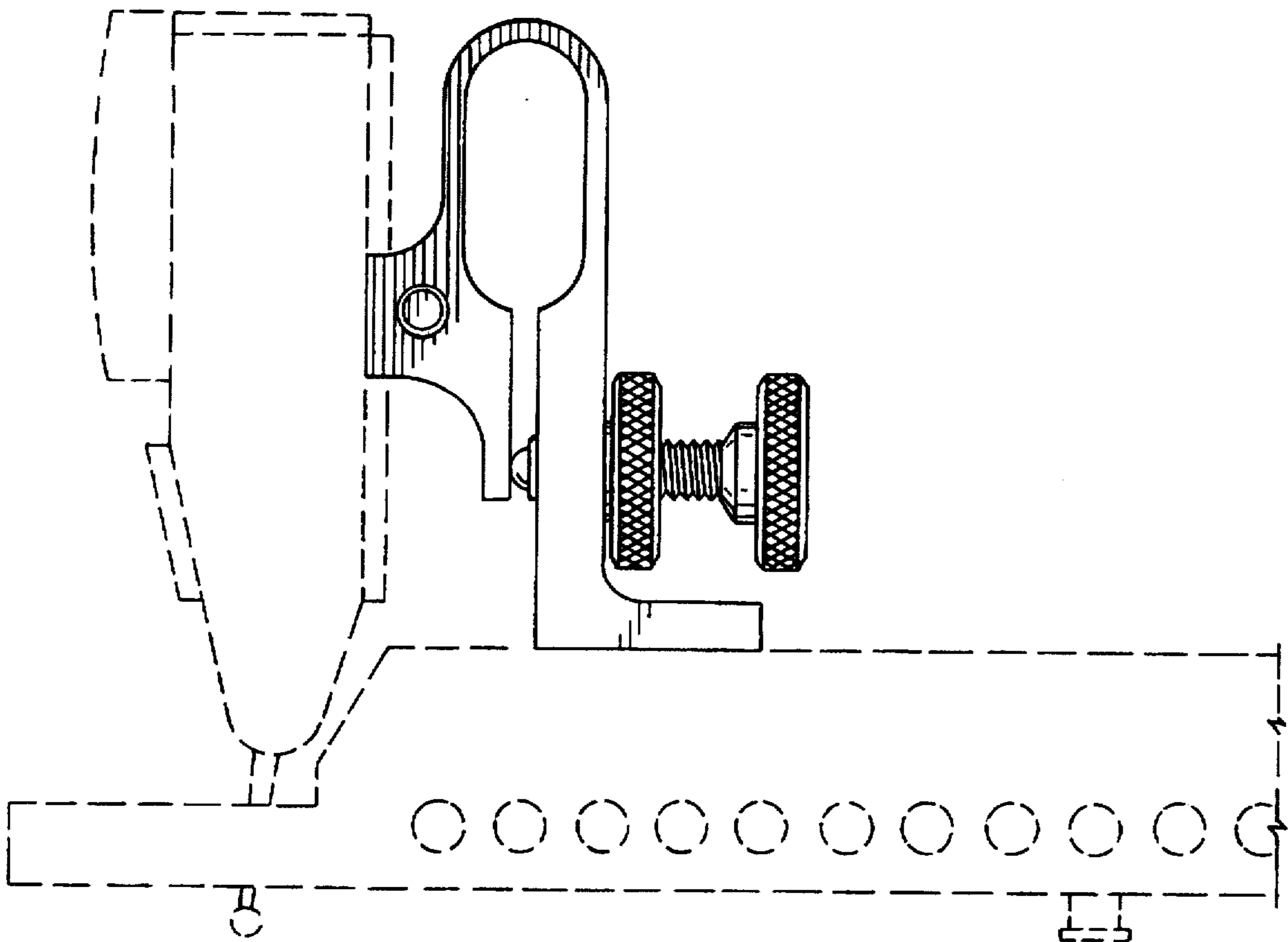


FIG. 3

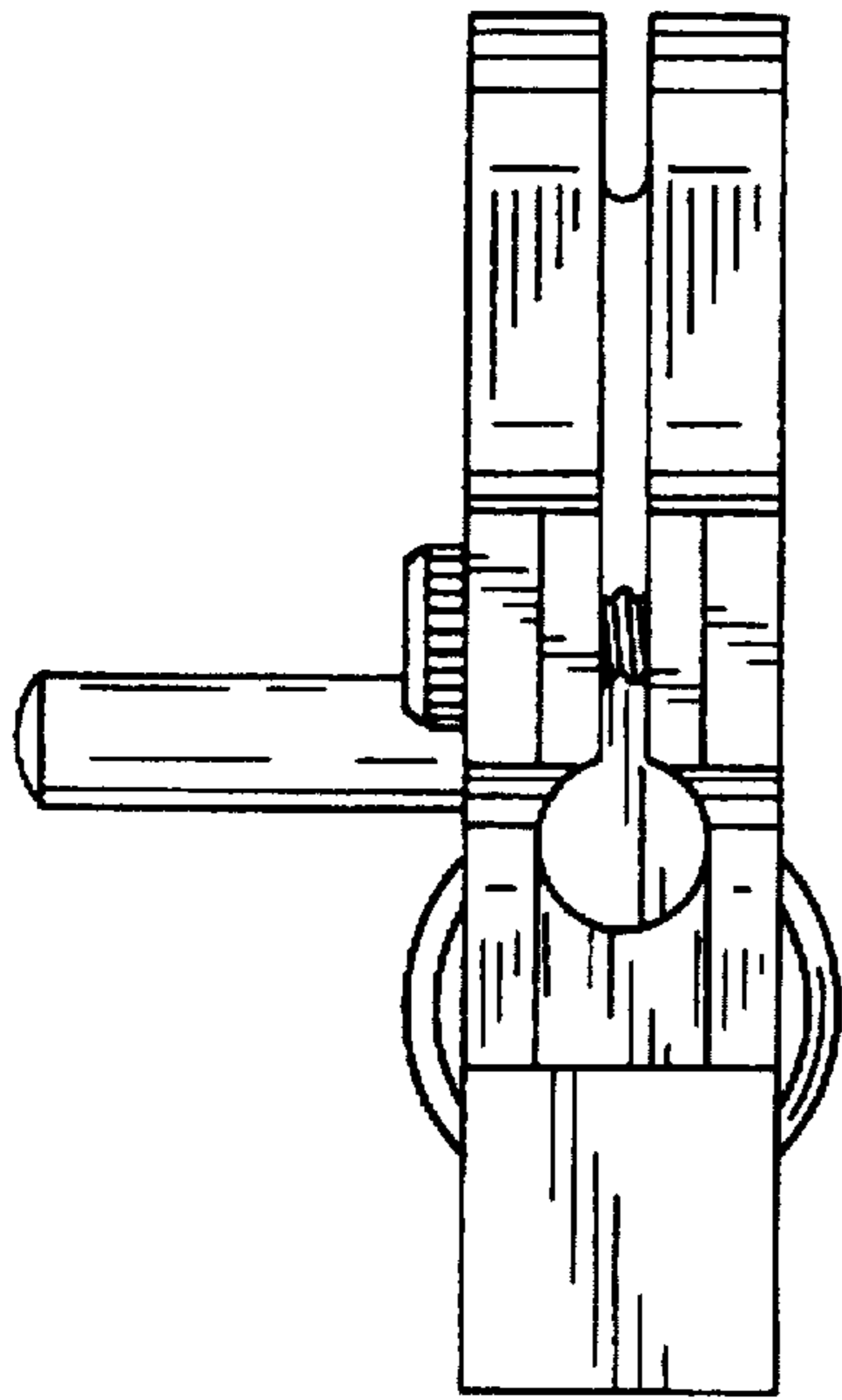


FIG. 4

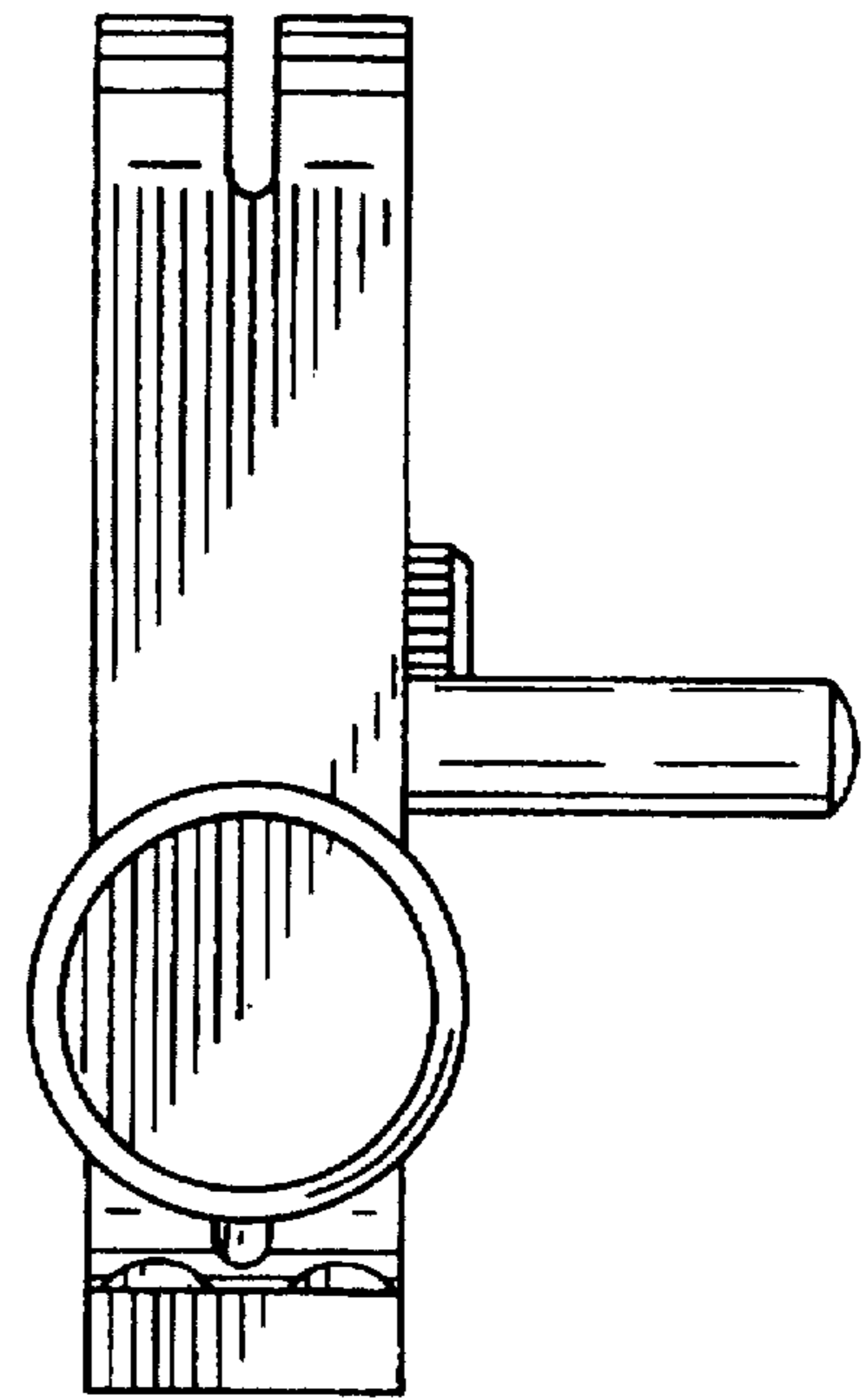


FIG. 5

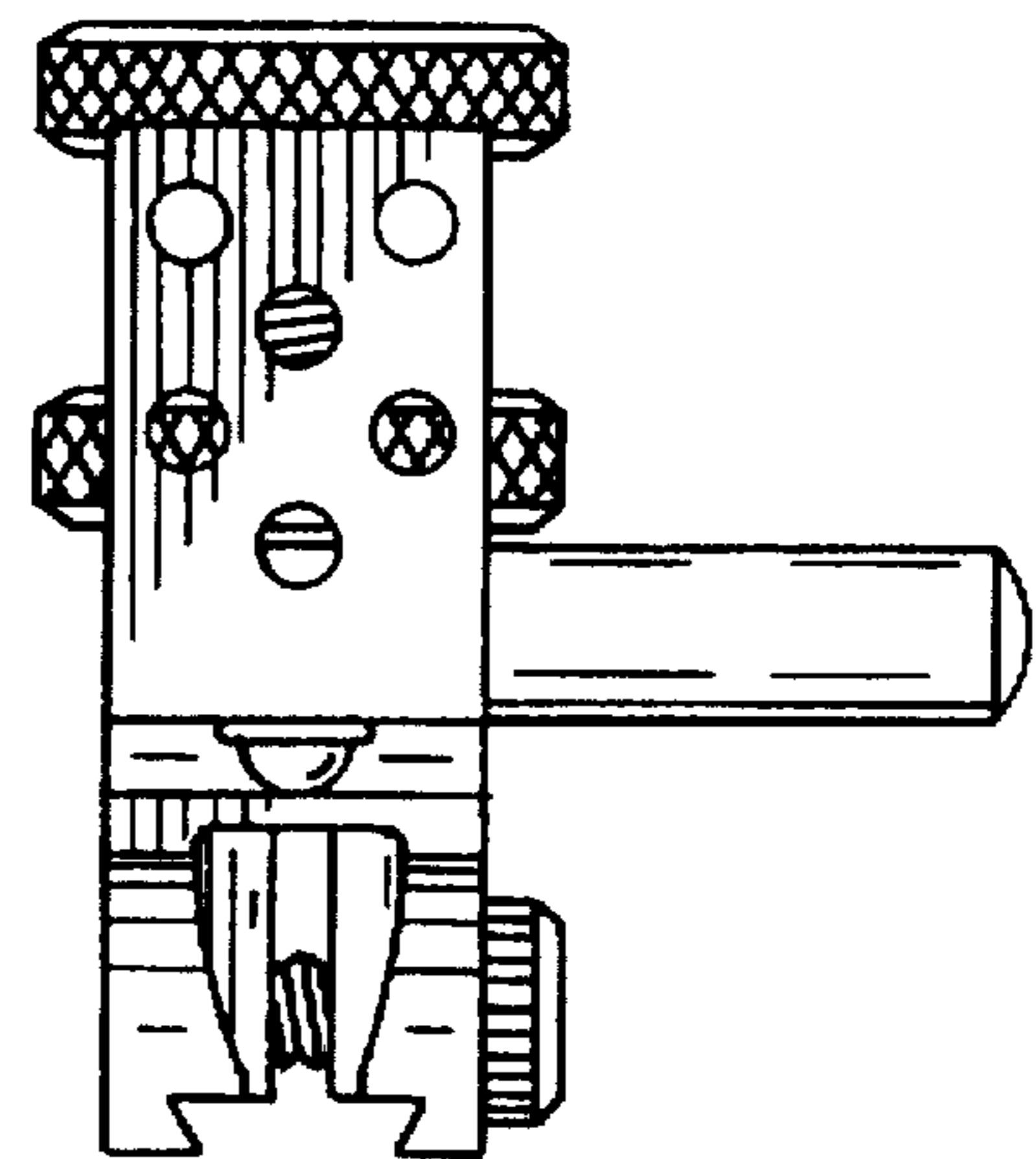


FIG. 6