

US00D395801S

**United States Patent** [19]  
**Miller**

[11] **Patent Number:** **Des. 395,801**  
[45] **Date of Patent:** **\*\*Jul. 7, 1998**

[54] **UTENSIL KEEPER**

[75] **Inventor:** **D. Scott Miller**, Orlando, Fla.

[73] **Assignee:** **Dart Industries Inc.**, Orlando, Fla.

[\*\*] **Term:** **14 Years**

[21] **Appl. No.:** **72,078**

[22] **Filed:** **Jun. 18, 1997**

[51] **LOC (6) Cl.** ..... **07-07**

[52] **U.S. Cl.** ..... **D7/641; D32/55**

[58] **Field of Search** ..... **D7/637-641; D32/3, D32/55; D6/524, 527; D19/65, 75, 77, 81, 84; 211/41, 60.1, 70.6, 70.7, 126**

[56] **References Cited**

**U.S. PATENT DOCUMENTS**

- D. 171,893 4/1954 Hills .
- D. 209,159 11/1967 Kesilman ..... D32/55
- D. 255,753 7/1980 Hoffman et al. .
- D. 302,482 7/1989 Zall .
- D. 334,265 3/1993 Giugiaro .
- D. 342,813 12/1993 Vercherg ..... D32/55
- D. 348,346 6/1994 Yoshikawa .

- D. 353,745 12/1994 Rinard .
- 4,084,702 4/1978 Lucchitta .
- 4,936,470 6/1990 Prindle .
- 5,344,030 9/1994 Evenson .
- 5,490,607 2/1996 Hsieh et al. .
- 5,513,416 5/1996 Bassler et al. .

*Primary Examiner*—Terry A. Wallace  
*Attorney, Agent, or Firm*—John A. Doninger

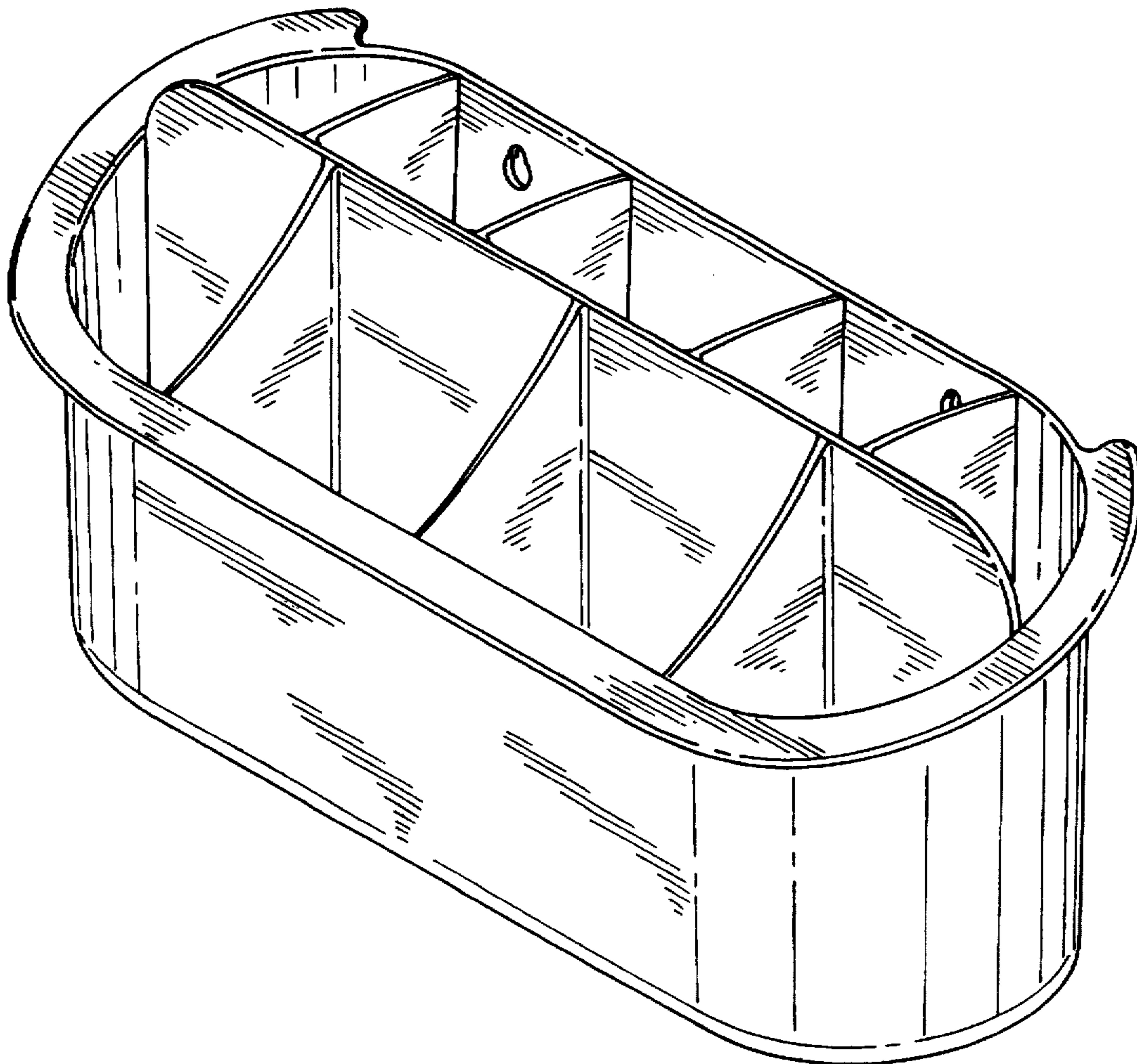
[57] **CLAIM**

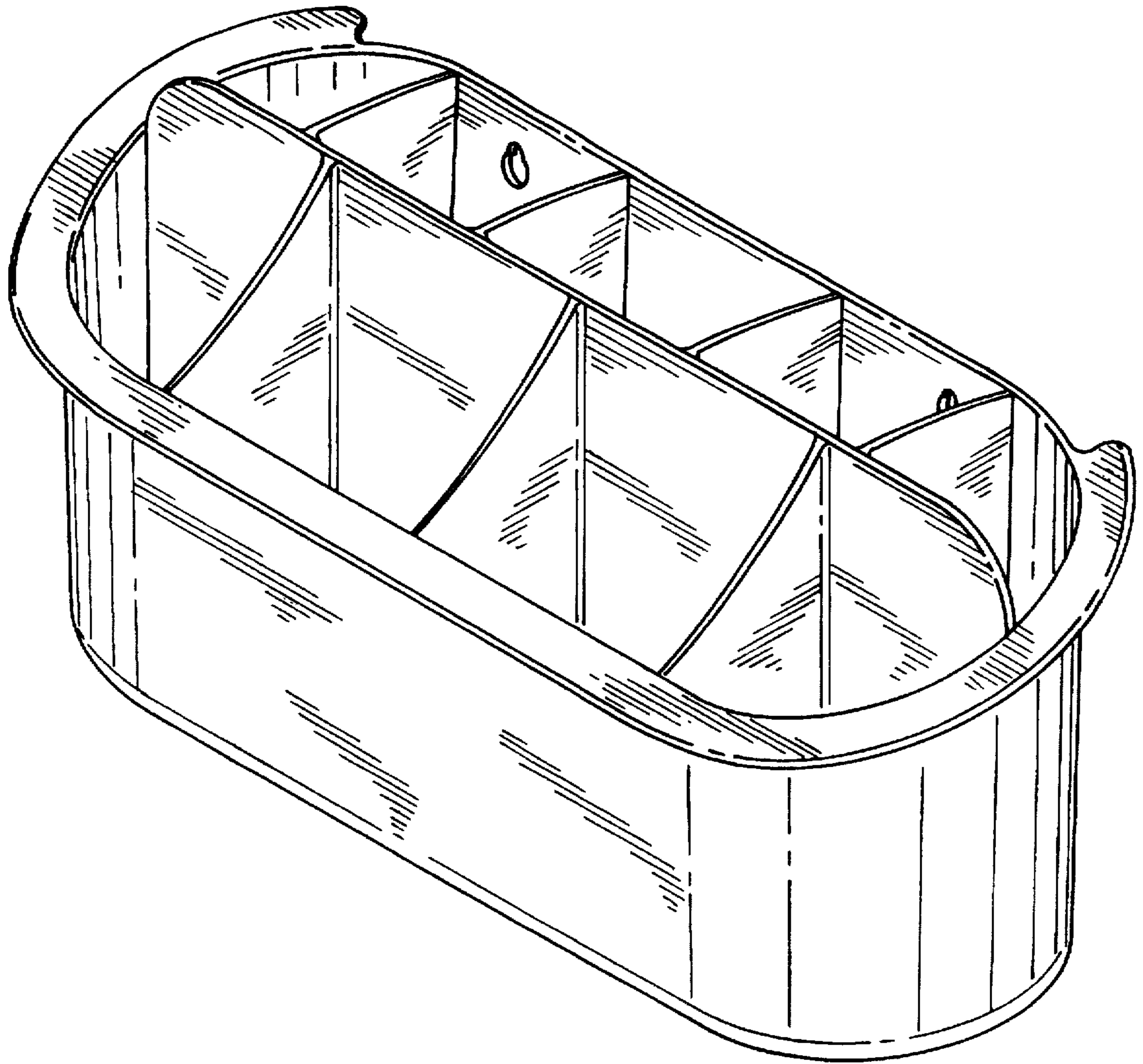
The ornamental design for a utensil keeper, as shown and described.

**DESCRIPTION**

FIG. 1 is a top, end and front perspective view of a utensil keeper showing my new design;  
 FIG. 2 is an exploded perspective view thereof;  
 FIG. 3 is a top plan view thereof;  
 FIG. 4 is a bottom plan view thereof;  
 FIG. 5 is a front elevation view thereof;  
 FIG. 6 is a rear elevation view thereof;  
 FIG. 7 is a right end elevation view thereof; and,  
 FIG. 8 is a left end elevation view thereof.

**1 Claim, 6 Drawing Sheets**





**FIG. 1**

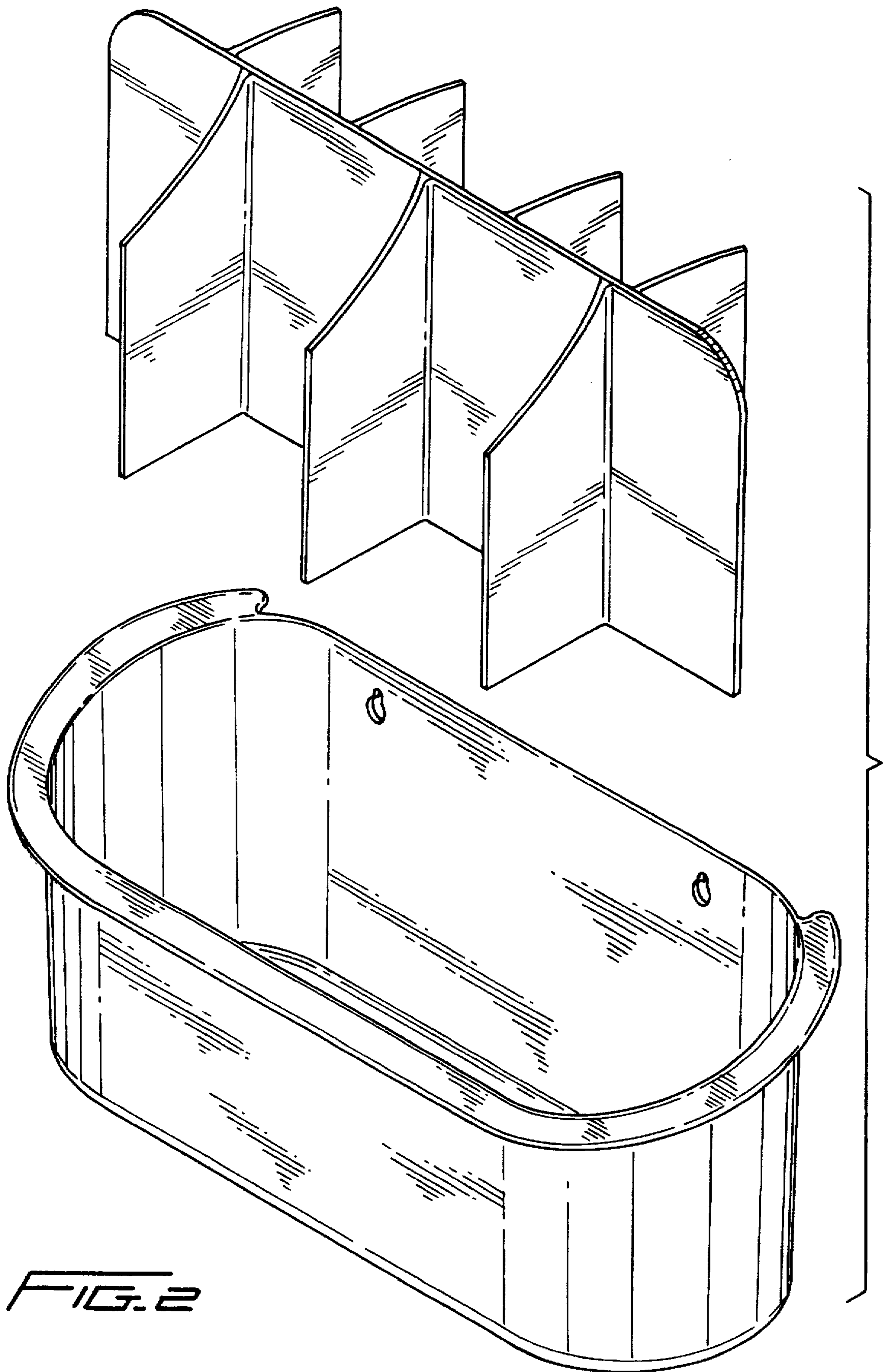


FIG. 2



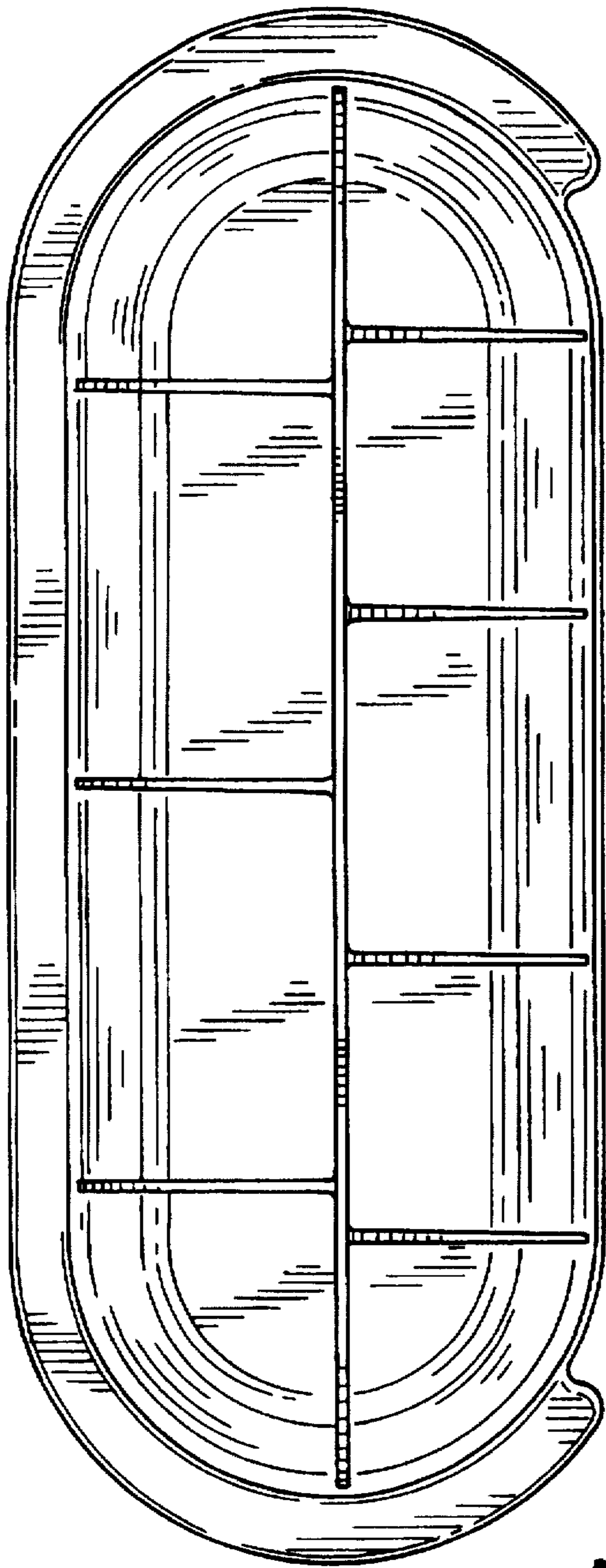


FIG. 3

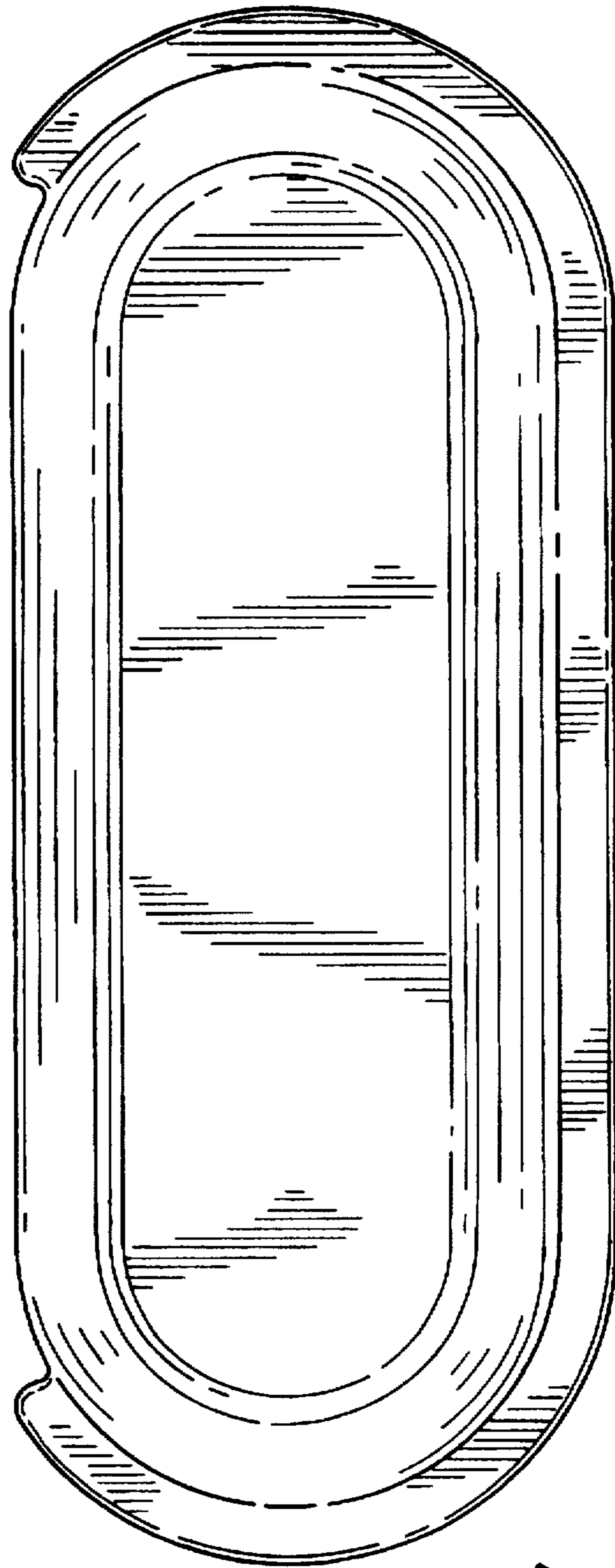


FIG. 4

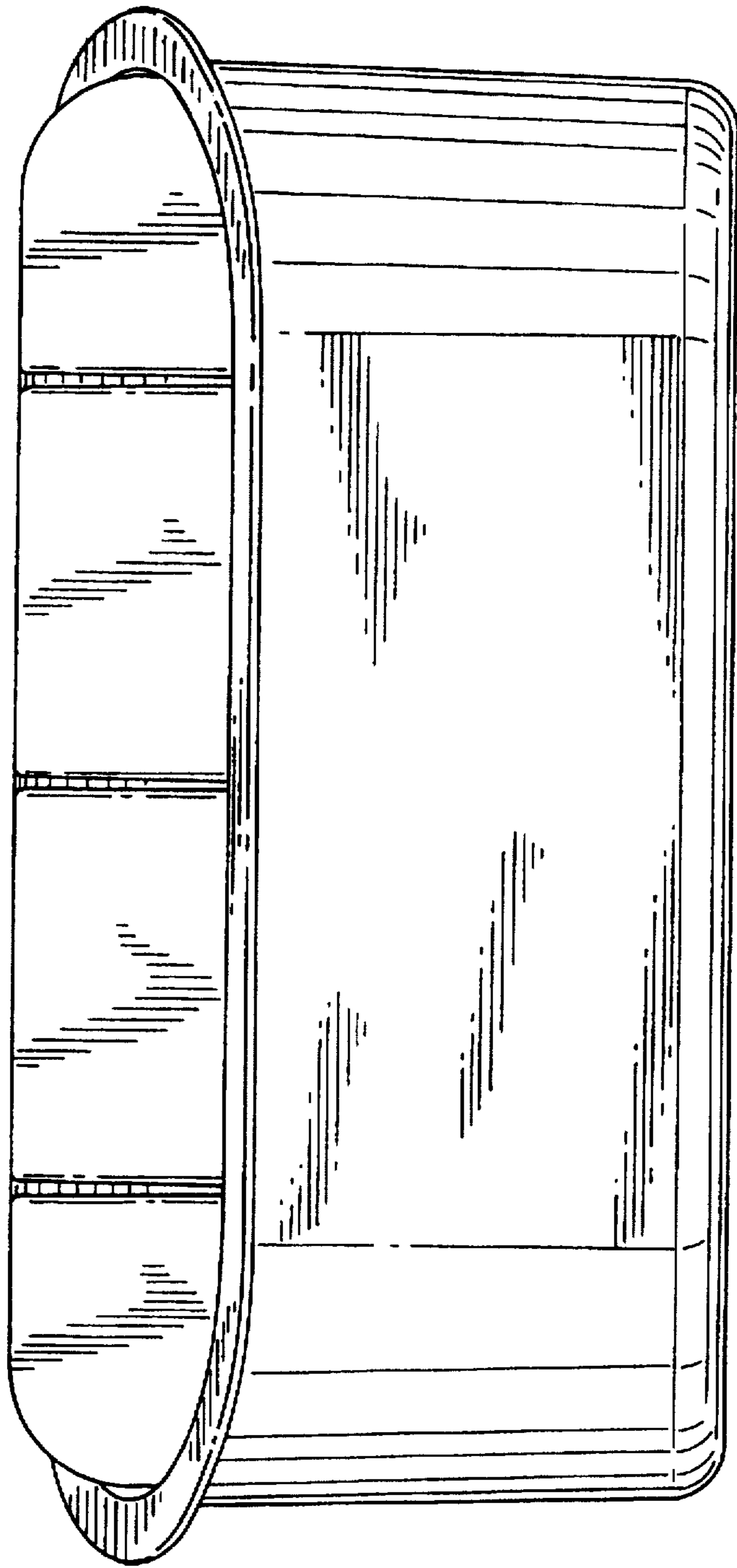


FIG. 5

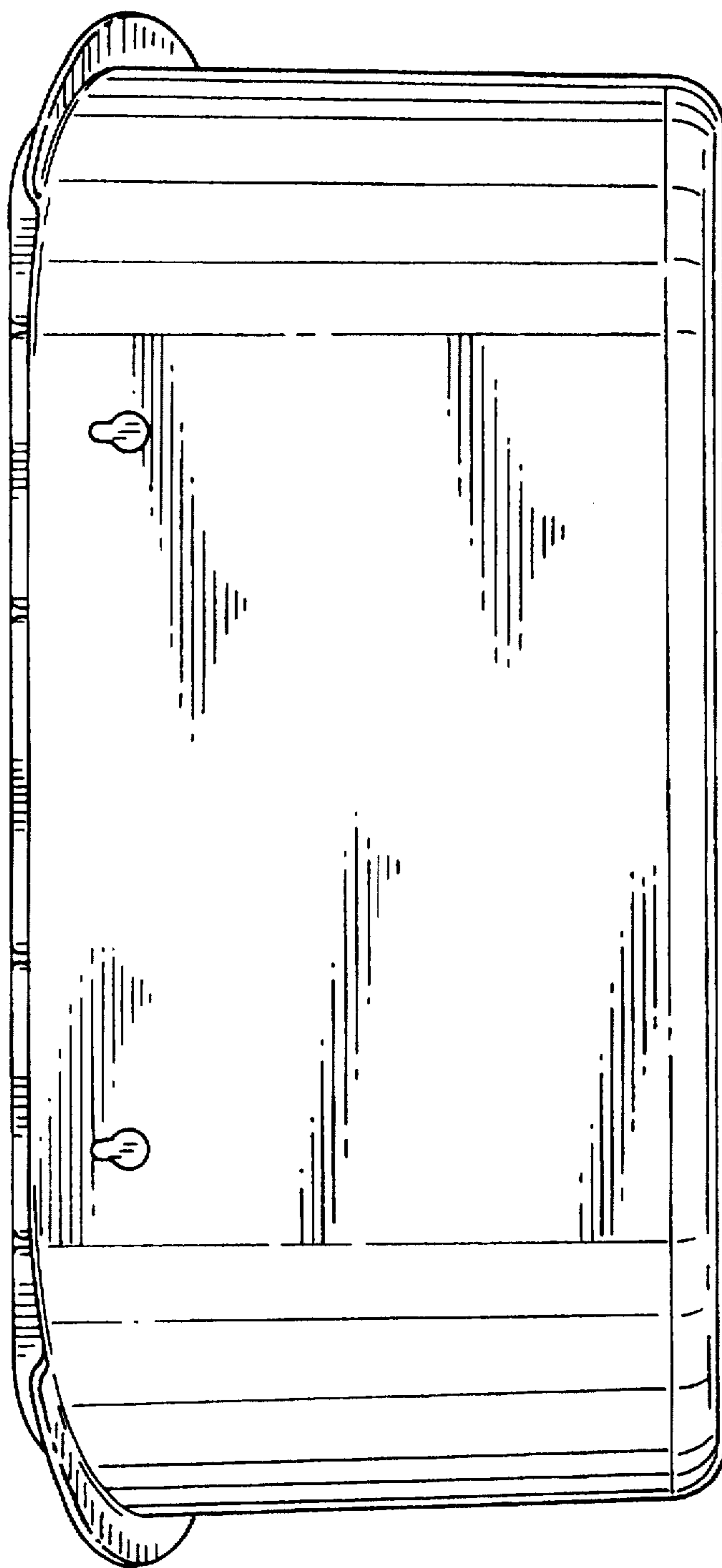


FIG. 6

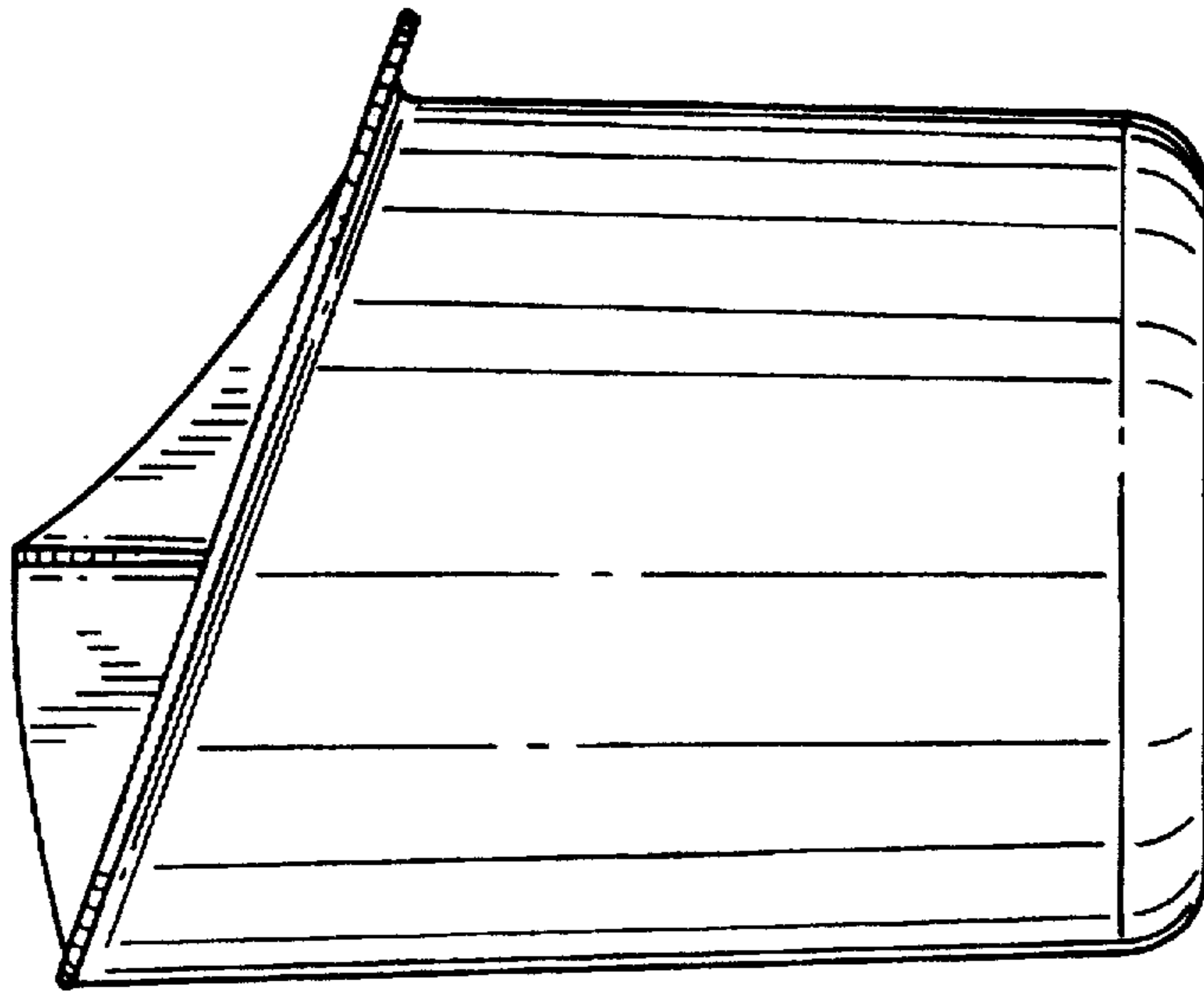


FIG. 8

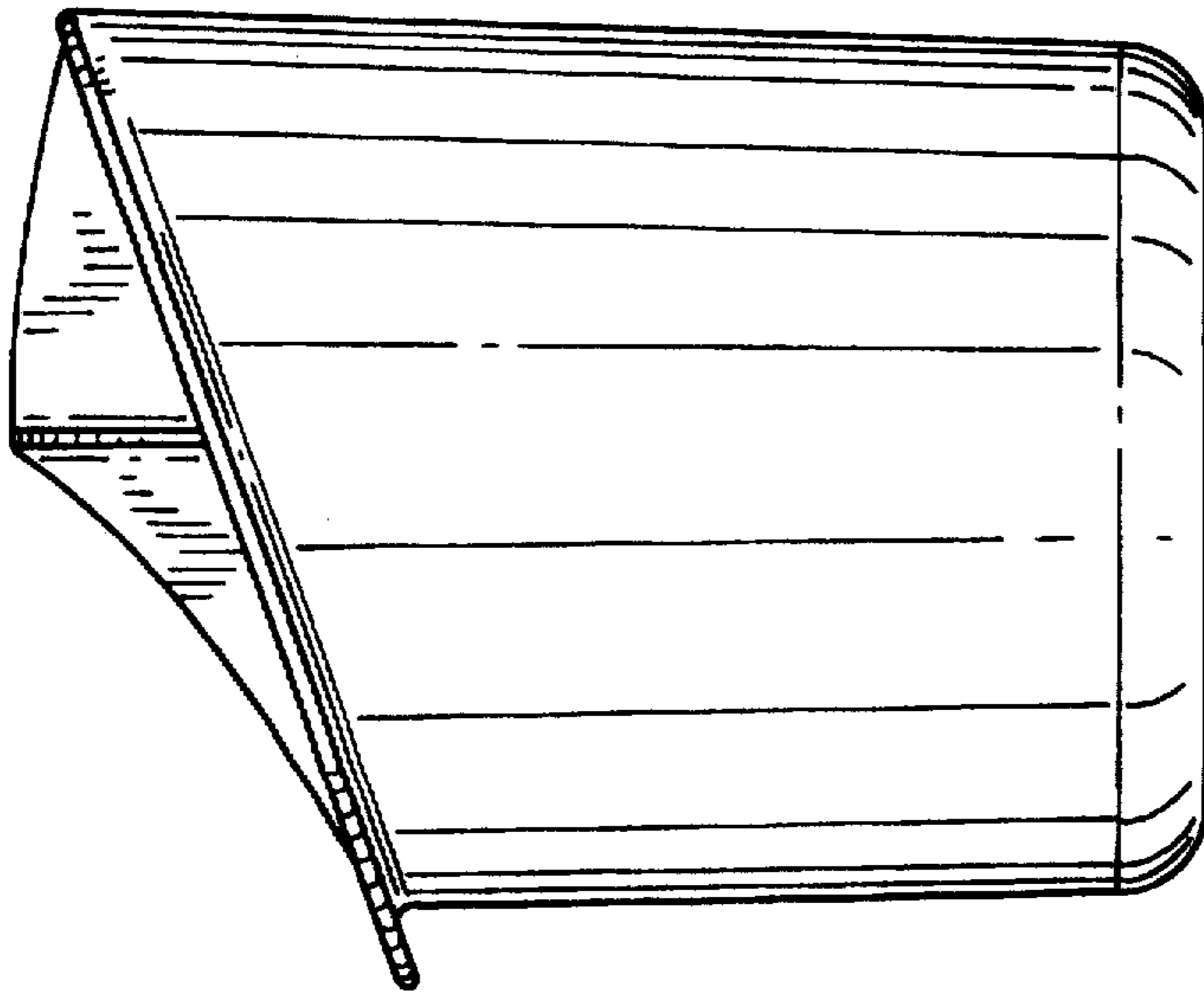


FIG. 7