



US00D395798S

United States Patent [19]

Goodman

[11] Patent Number: **Des. 395,798**

[45] Date of Patent: ****Jul. 7, 1998**

[54] **NAPKIN HOLDER**

[76] Inventor: **Sheldon H. Goodman**, 30905 Stratford, Solon, Ohio 44139

[**] Term: **14 Years**

[21] Appl. No.: **68,679**

[22] Filed: **Mar. 20, 1997**

[51] LOC (6) Cl. **07-06**

[52] U.S. Cl. **D7/631**

[58] Field of Search **D7/631, 632; D19/34.1, D19/65, 75, 86, 90, 91; 211/49.1, 13.1, 41.1, 41.2**

[56] **References Cited**

U.S. PATENT DOCUMENTS

D. 194,702 2/1963 Planets D7/631
3,063,567 11/1962 Campbell D7/631 X

Primary Examiner—Terry A. Wallace
Attorney, Agent, or Firm—Pearne, Gordon, McCoy & Granger LLP

[57] **CLAIM**

The ornamental design for a napkin holder, as shown and described.

DESCRIPTION

FIG. 1 is a left side, top and front perspective view of a napkin holder, showing my new design;
FIG. 2 is a front elevational view thereof;
FIG. 3 is a top plan view thereof;
FIG. 4 is a left side elevational view thereof; the right side elevational view being a mirror image;
FIG. 5 is a rear elevational view thereof; and,
FIG. 6 is a bottom plan view thereof.

1 Claim, 4 Drawing Sheets

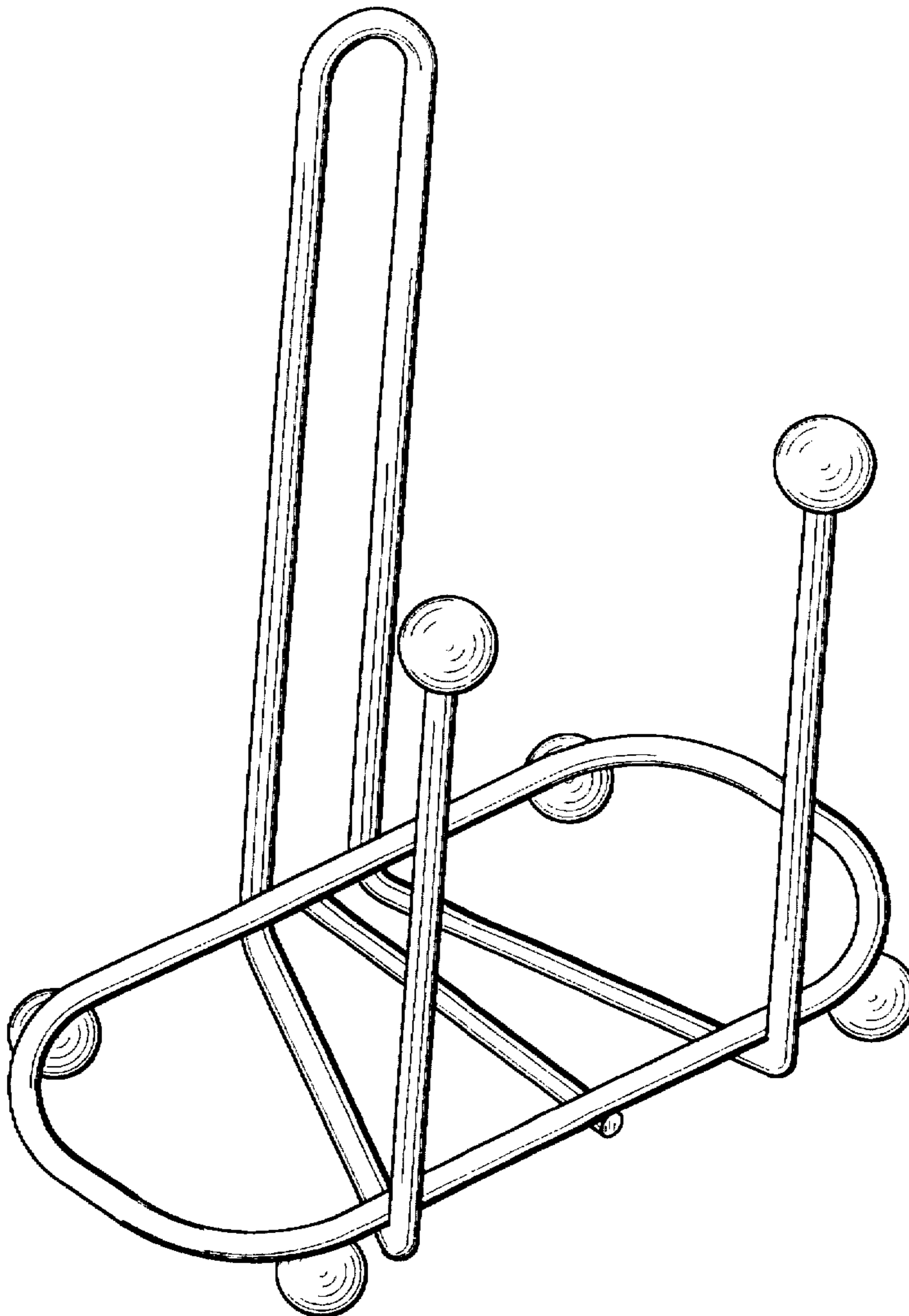
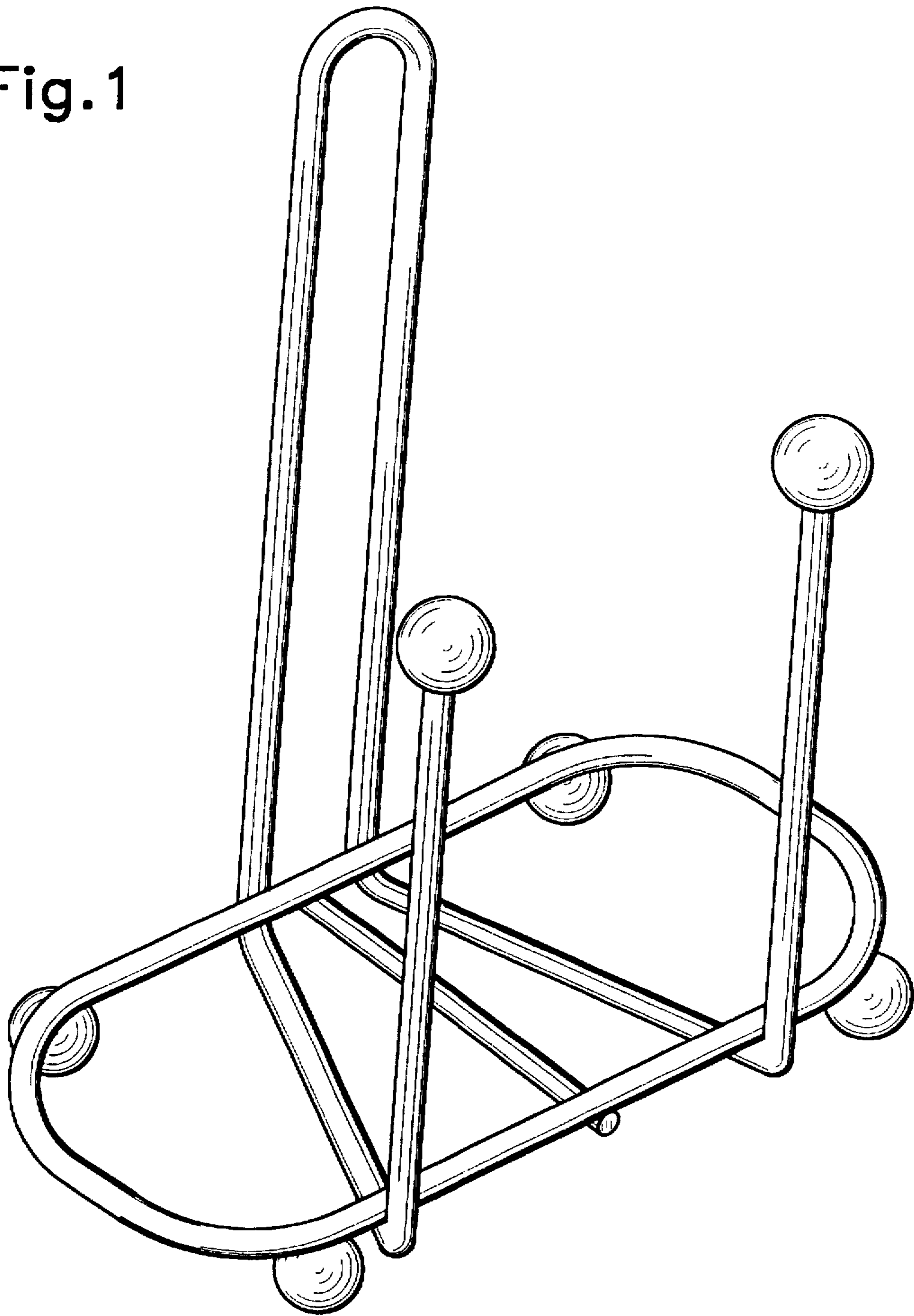


Fig. 1



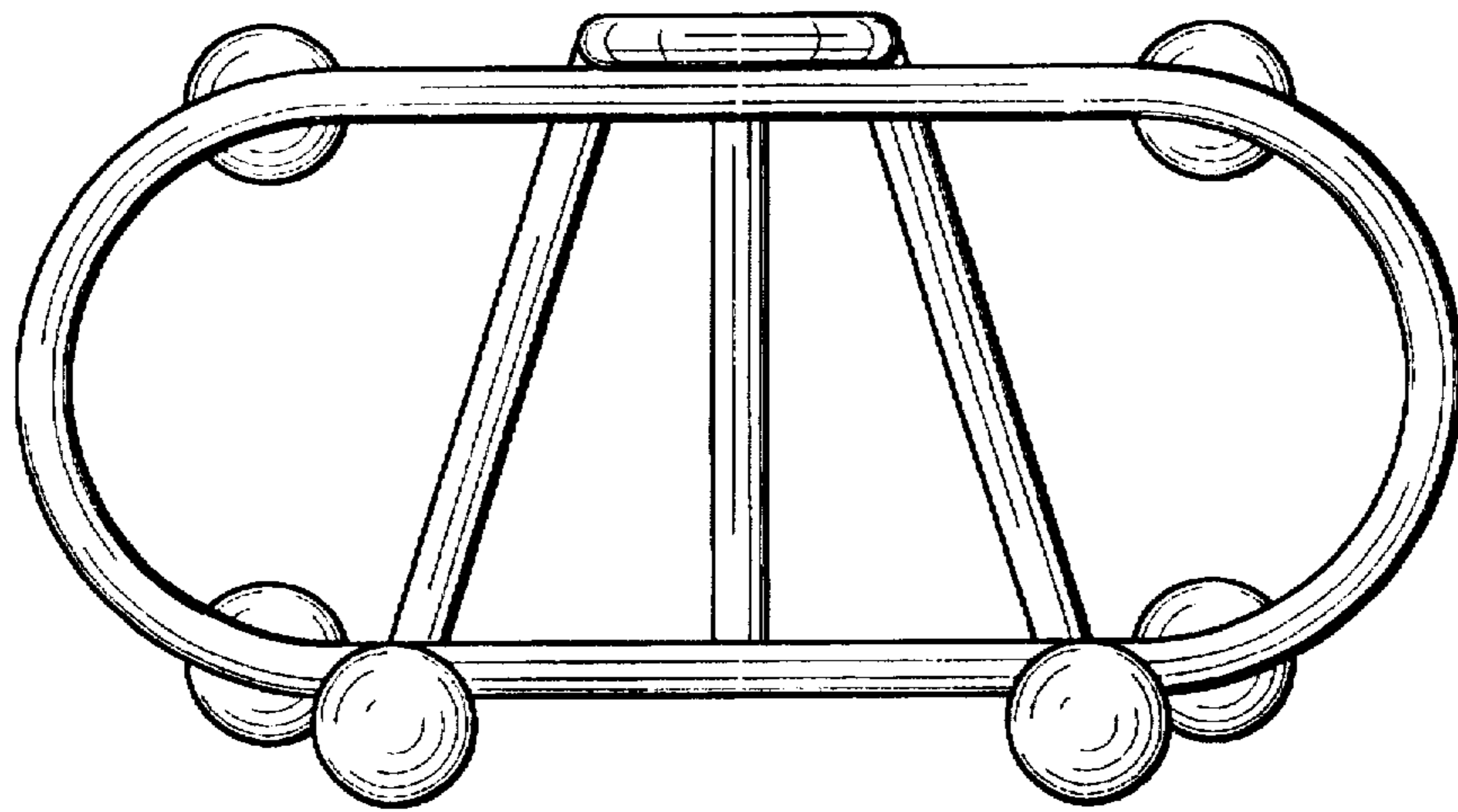


Fig. 3

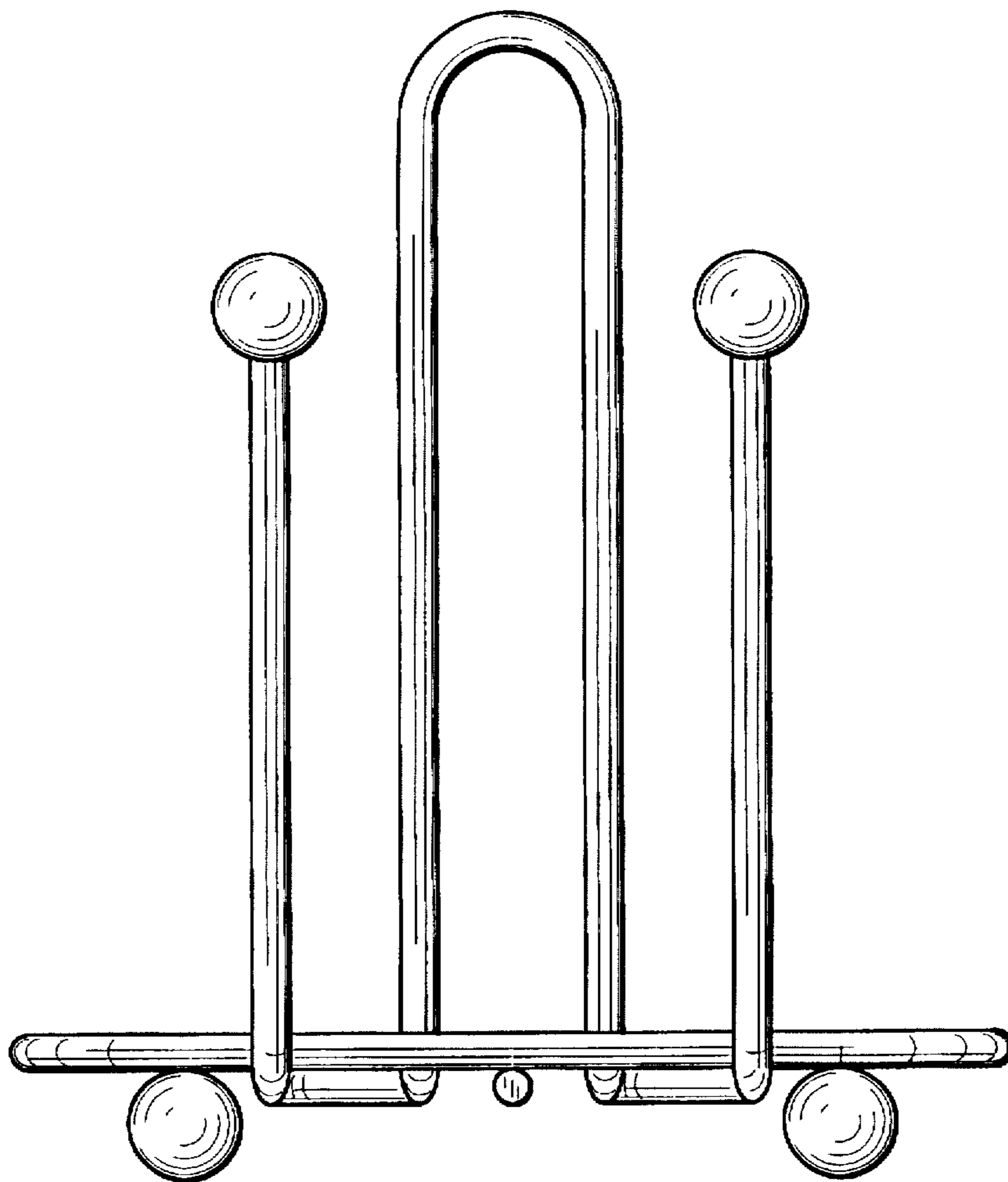


Fig. 2

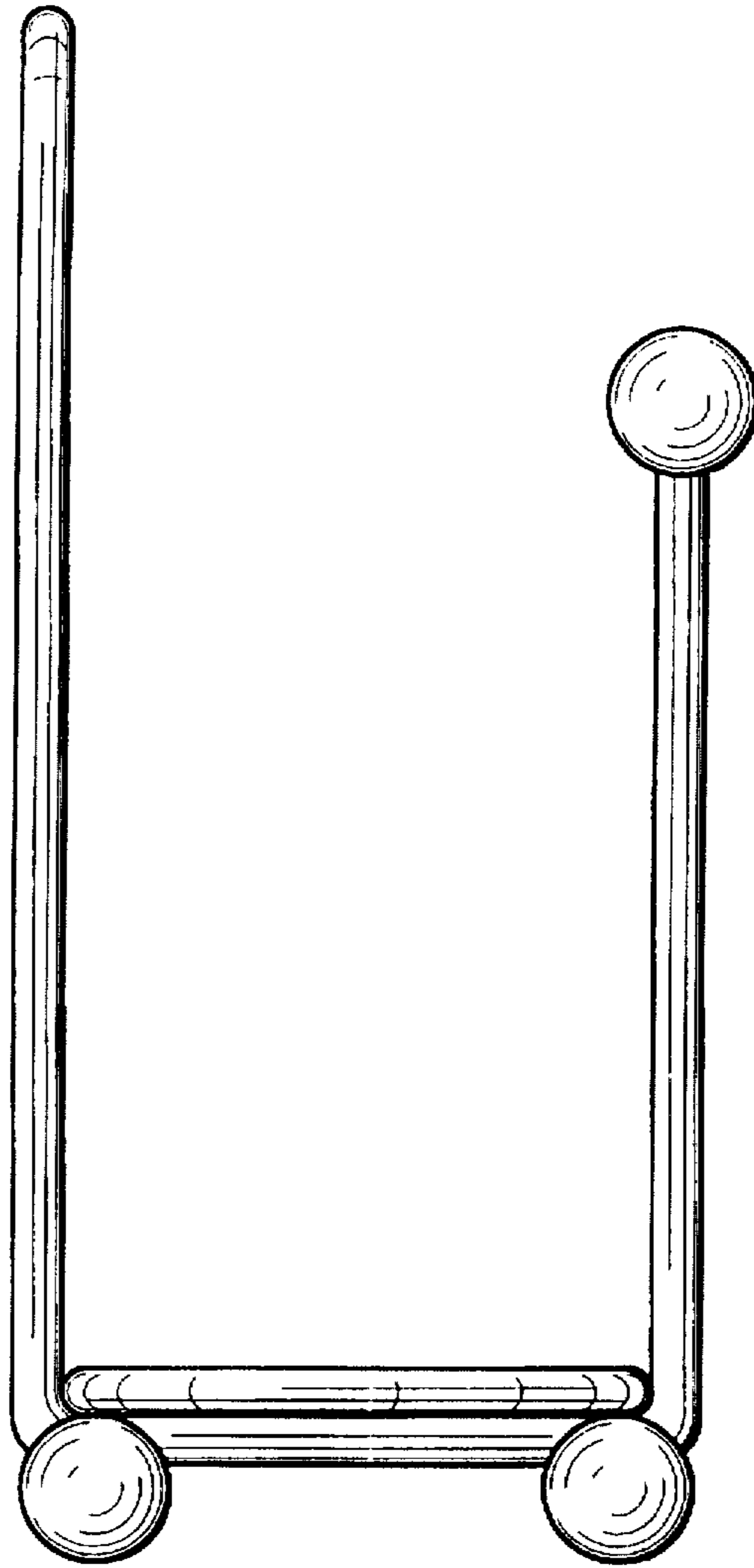


Fig.4

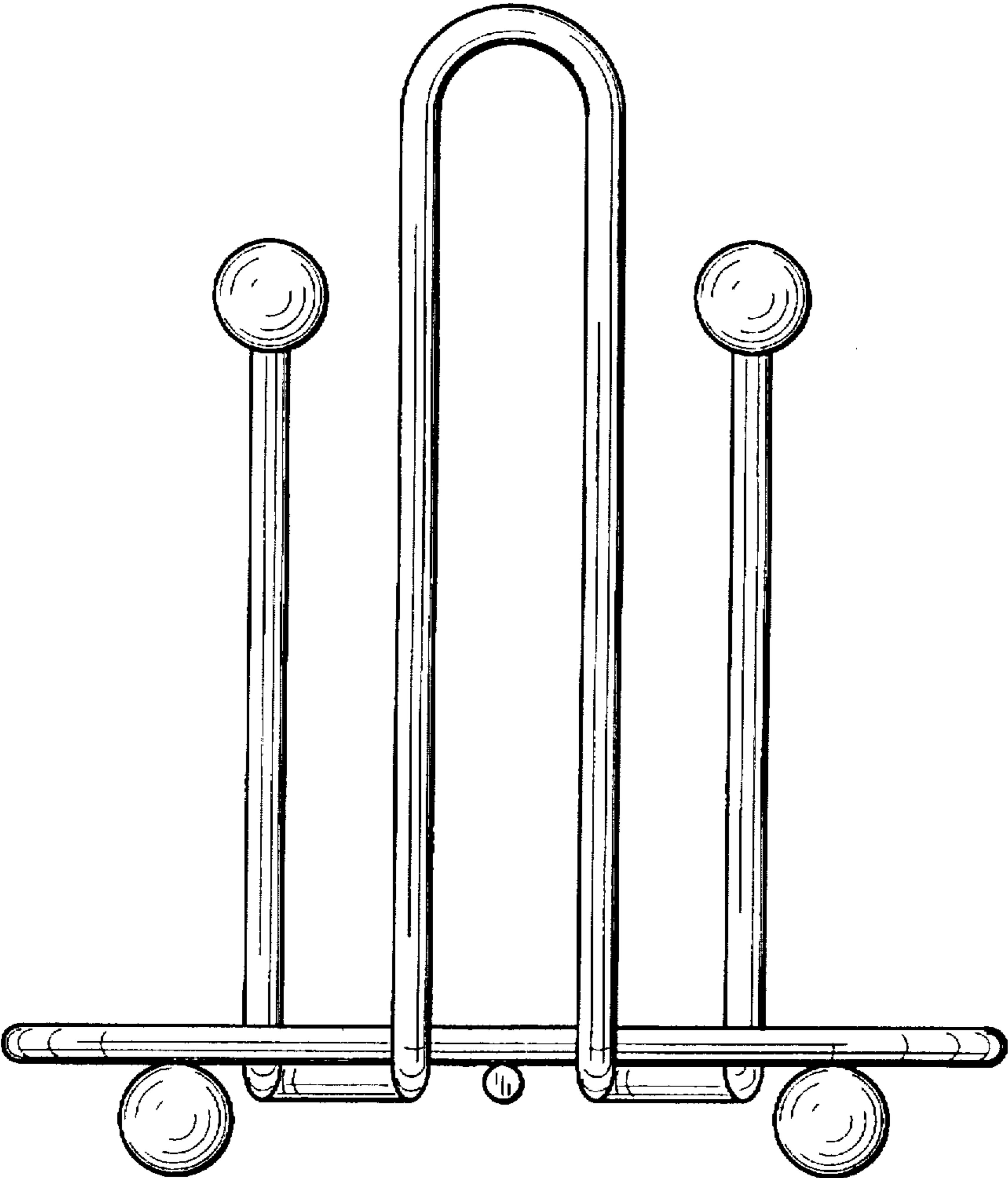


Fig. 5

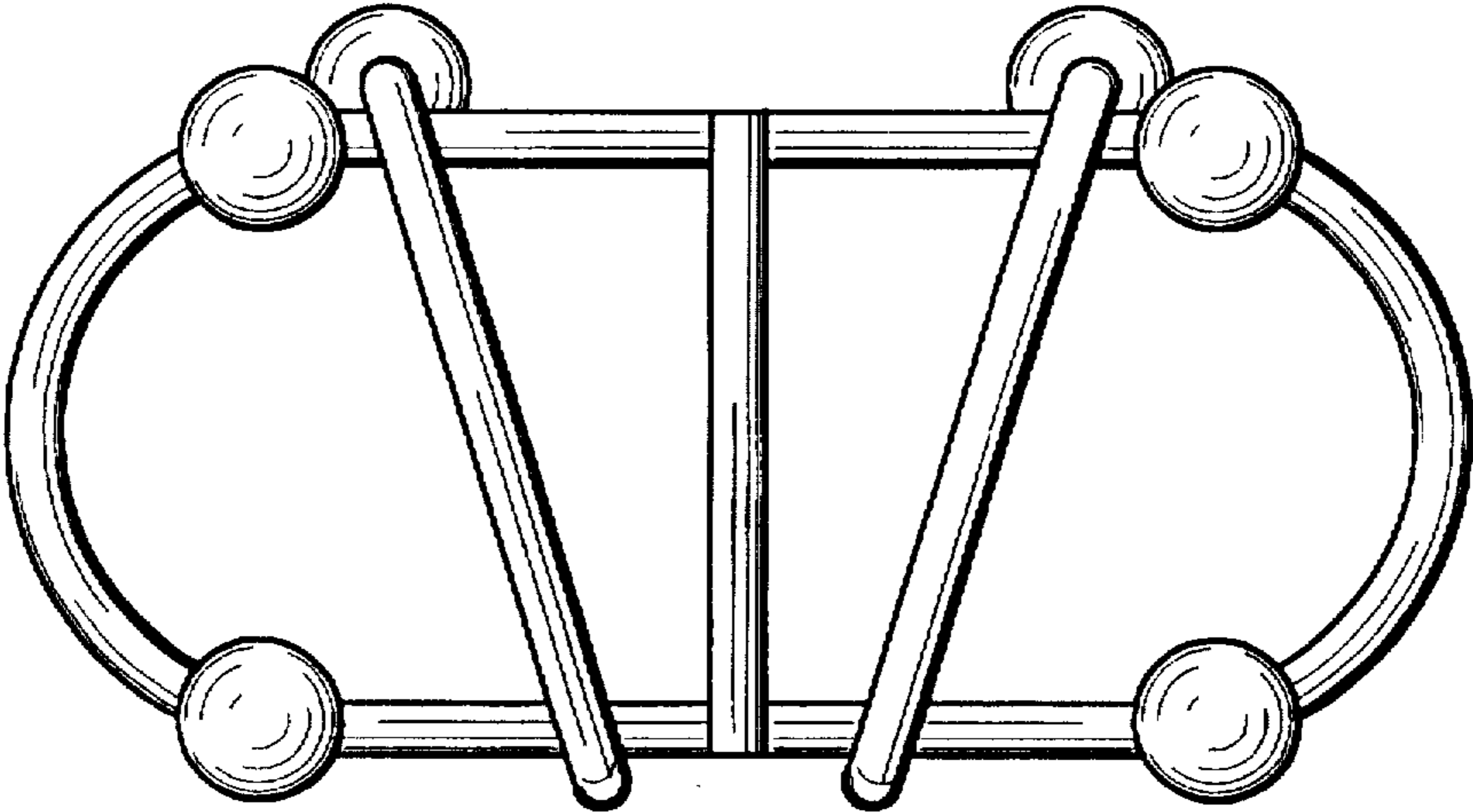


Fig. 6