



US00D395797S

United States Patent [19]

Sirlin

[11] Patent Number: **Des. 395,797**

[45] Date of Patent: ****Jul. 7, 1998**

[54] **LEFTOVER PIZZA HOLDER**

[76] Inventor: **Arnie Sirlin**, P.O. Box 526, Los Angeles, Calif. 90078

[**] Term: **14 Years**

[21] Appl. No.: **77,618**

[22] Filed: **Oct. 7, 1997**

[51] LOC (6) Cl. **07-01**

[52] U.S. Cl. **D7/629; D9/428**

[58] Field of Search D7/538-542, 601, D7/602, 610, 629; D9/414, 424, 426, 428, 430; 206/551; 220/523, 526; 229/107, 406

[56] **References Cited**

U.S. PATENT DOCUMENTS

2,710,132	6/1955	Metzger	229/107
2,789,608	4/1957	Tupper	D7/610 X
5,098,013	3/1992	France et al.	206/551 X

Primary Examiner—Terry A. Wallace
Attorney, Agent, or Firm—Beehler & Pavitt

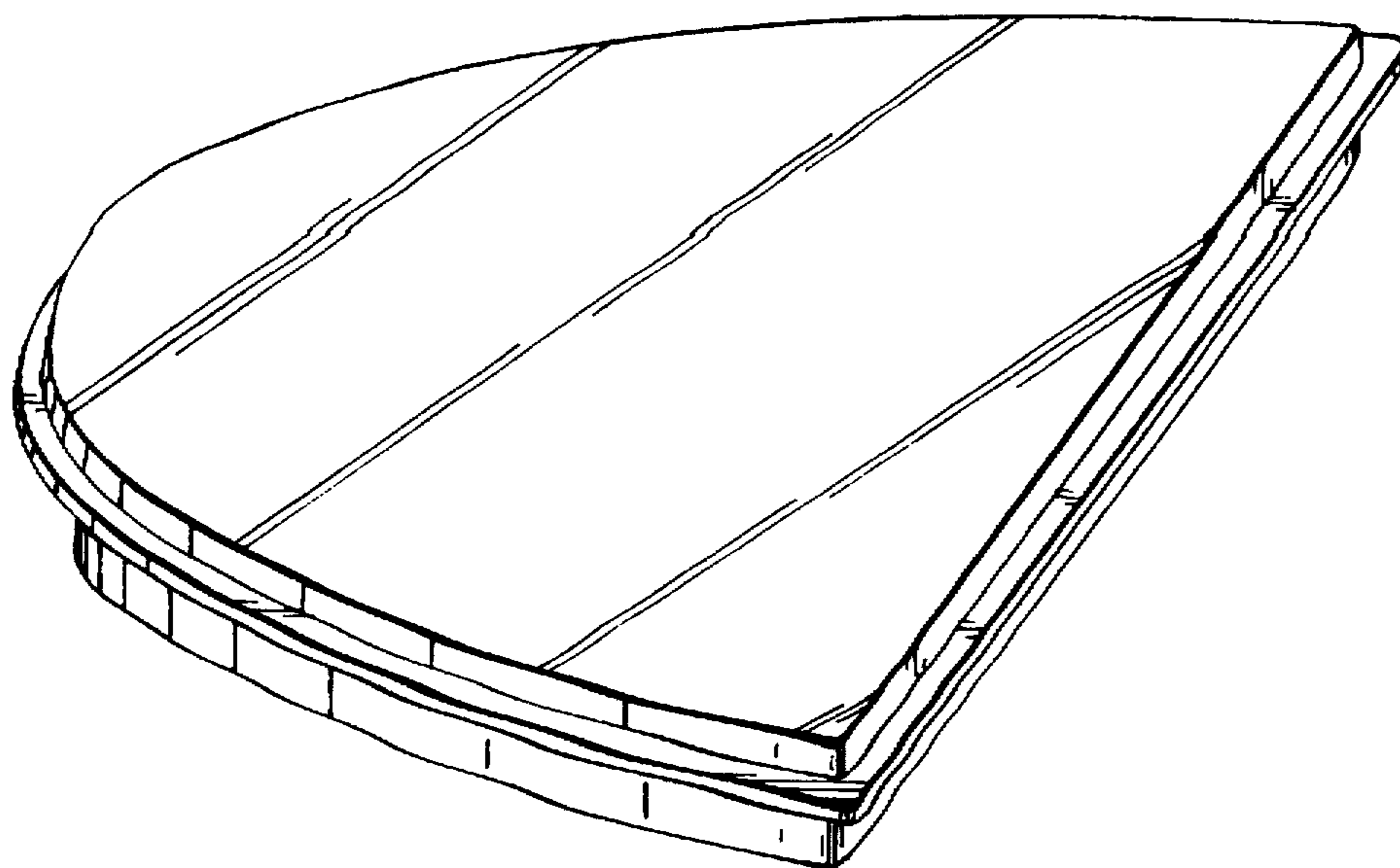
[57] **CLAIM**

The ornamental design for leftover pizza holder, as shown and described.

DESCRIPTION

FIG. 1 is a perspective view of the leftover pizza holder, according to my new design;
 FIG. 2 is a perspective view showing the bottom and lid separated from each other;
 FIG. 3 is a top plan view;
 FIG. 4 is a front side elevation view;
 FIG. 5 is a bottom plan view;
 FIG. 6 is a side elevation looking in from right of FIG. 3; and,
 FIG. 7 is a back side elevation view.

1 Claim, 2 Drawing Sheets



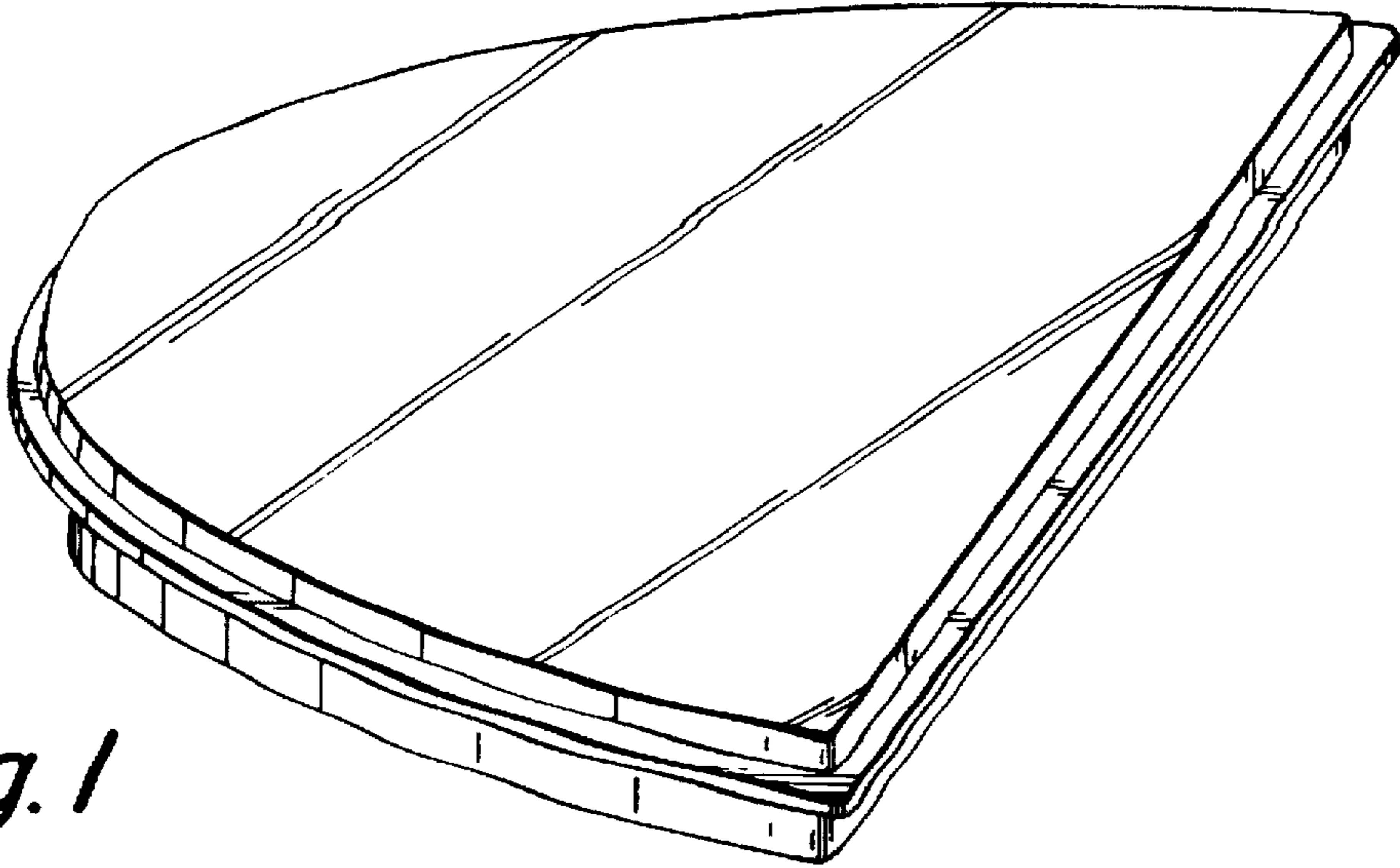


Fig. 1

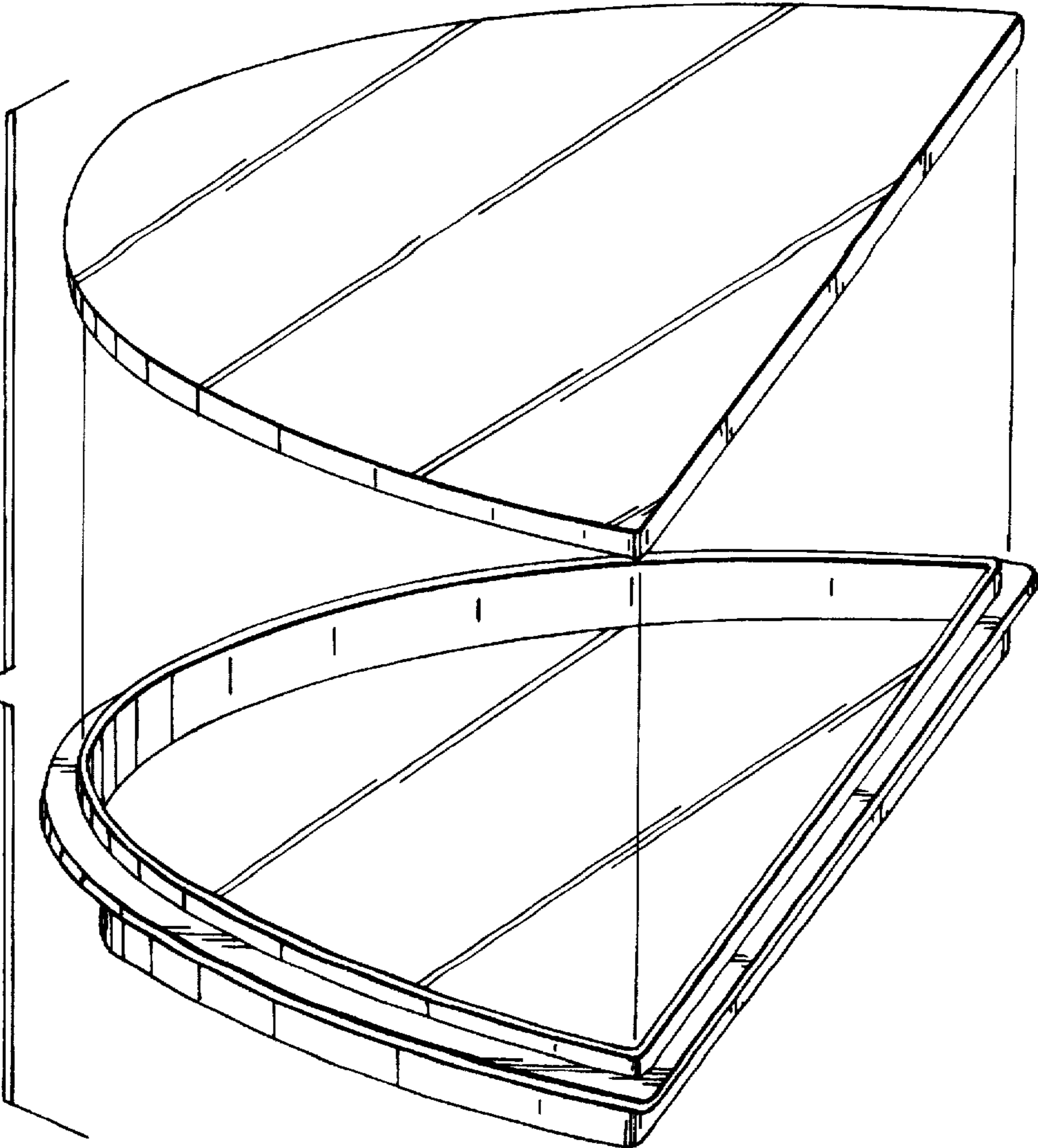


Fig. 2

Fig. 3

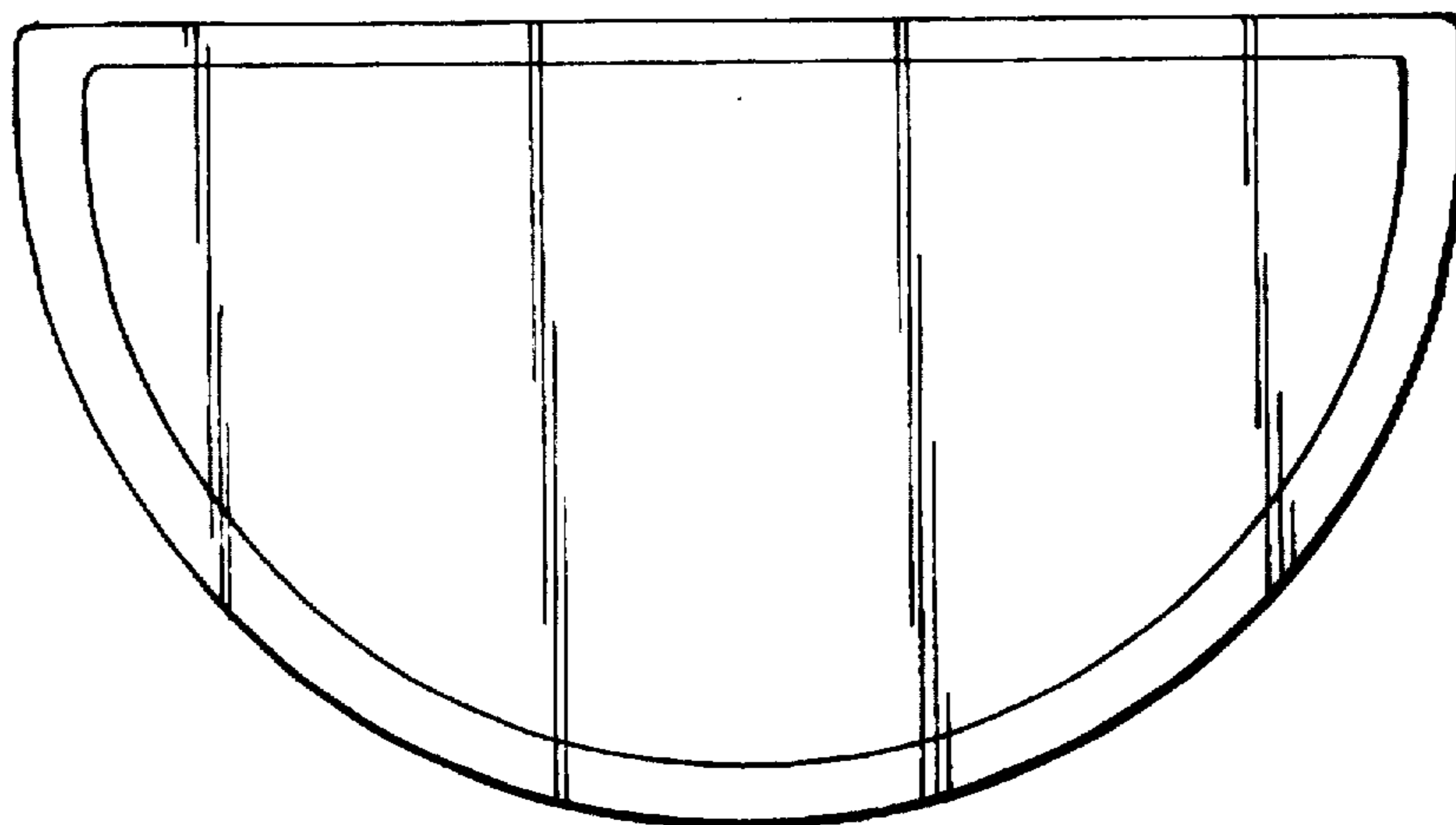


Fig. 4

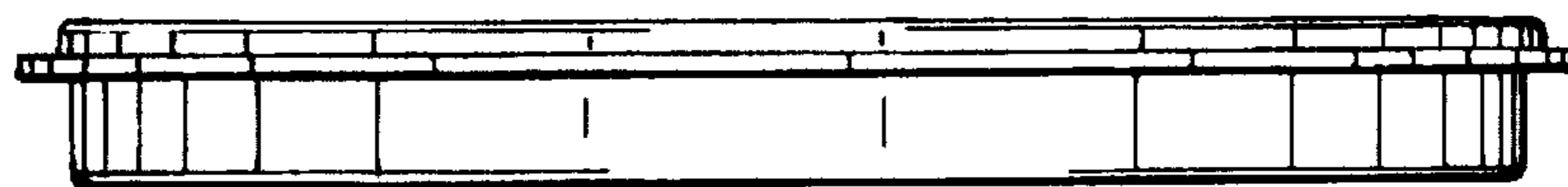


Fig. 5

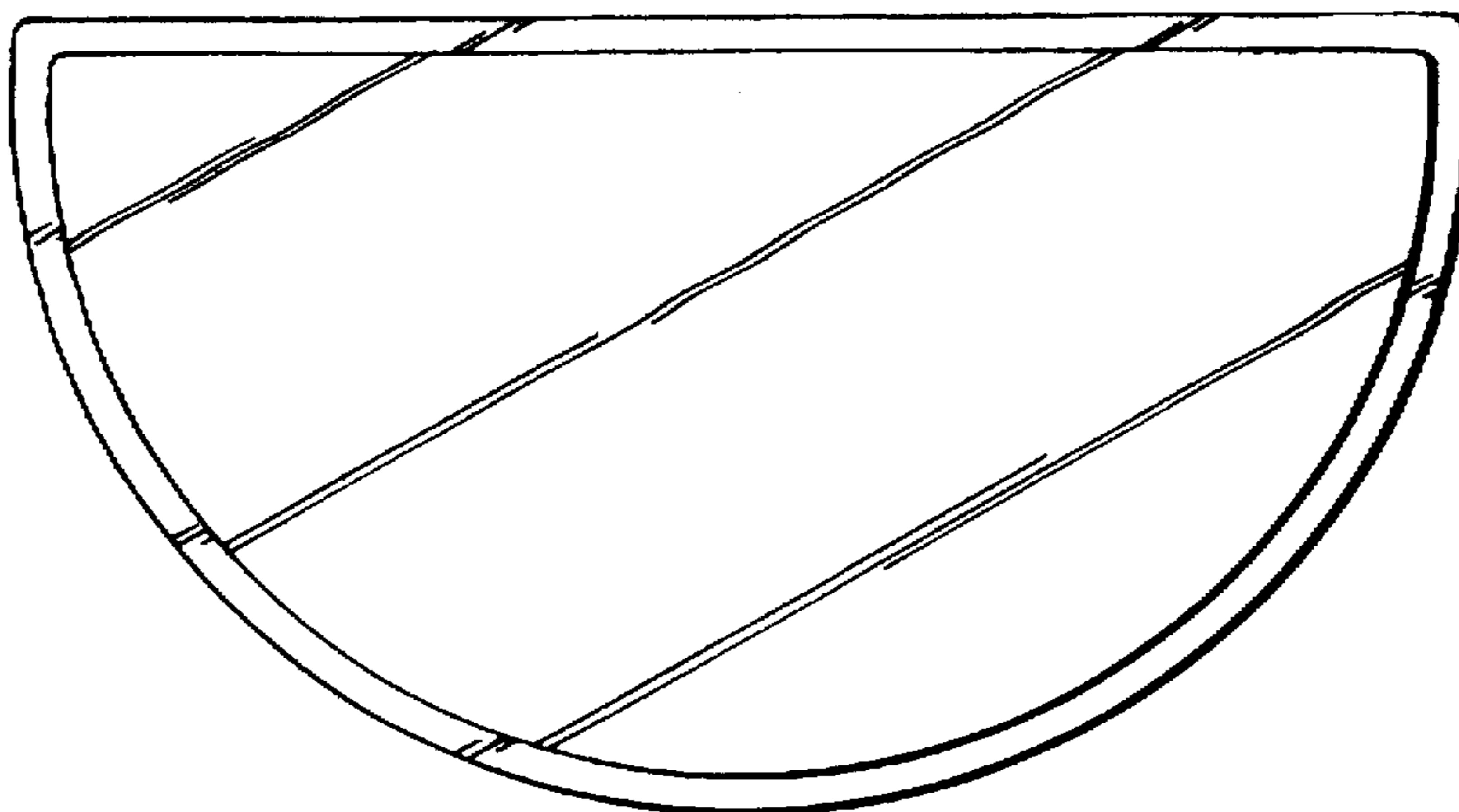


Fig. 6

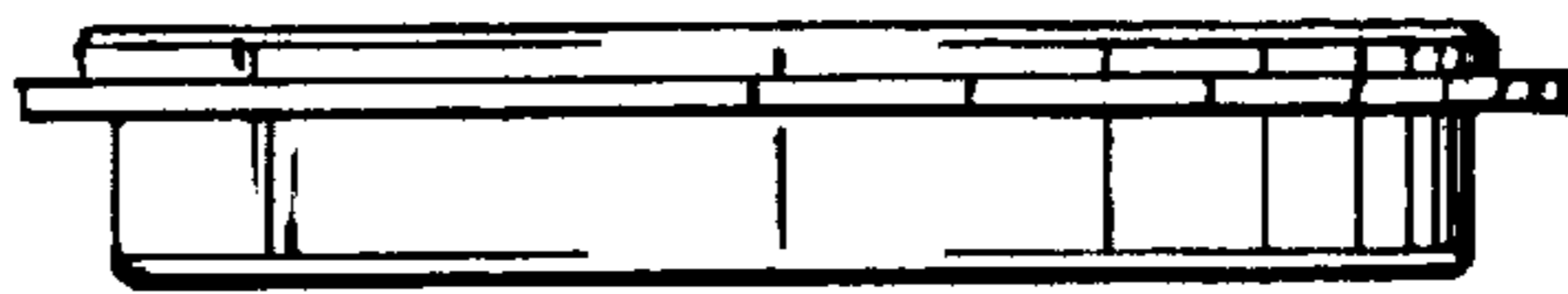


Fig. 7

