



US00D395795S

United States Patent [19]

[11] Patent Number: Des. 395,795

Pender et al.

[45] Date of Patent: **Jul. 7, 1998

[54] EGG HOLDER AND TRAY

[75] Inventors: **John C. Pender**, Jamison, Pa.; **Charles Wood Saunders, Jr.**, Memphis, Tenn.; **Daniel Robert Williams**, Naperville, Ill.; **James S. Mandle**, Woodcliff Lake, N.J.

[73] Assignee: **Schering-Plough Healthcare Products, Inc.**, Memphis, Tenn.

[**] Term: **14 Years**

[21] Appl. No.: **71,905**

[22] Filed: **May 29, 1997**

[51] LOC (6) CI. **07-01**

[52] U.S. Cl. **D7/611**

[58] Field of Search D7/550, 601, 611, D7/619; 211/13.1, 14, 15; 118/13, 26, 28, 31, 270, 500, 501, 503; 269/289 R, 296

[56] **References Cited**

U.S. PATENT DOCUMENTS

- 65,896 6/1867 Fellows .
- 66,492 7/1867 Hellen .
- 105,901 8/1870 Brown .
- D. 144,441 6/1946 Zeleski .
- D. 154,910 8/1949 De Luce .
- D. 160,375 8/1950 Edlund .
- D. 168,879 2/1953 Becker .
- D. 178,858 10/1956 Babcock .
- D. 179,668 2/1957 Ward .
- 213,772 4/1879 Nelson .
- 220,390 10/1879 Koska .
- 227,633 5/1880 Koska .
- 319,954 6/1885 Butterfield .
- D. 363,496 10/1995 Mandle .
- D. 363,497 10/1995 Mandle .
- 452,994 5/1891 Dodd .
- 909,939 1/1909 Richmond .
- 1,027,079 5/1912 Shepard .
- 1,081,701 12/1913 Sandmann .
- 1,156,459 10/1915 Brown .
- 1,464,967 8/1923 Beauregard .
- 1,520,227 6/1924 De Vitalis .
- 1,538,367 4/1925 Young .
- 1,767,553 3/1930 Rose .
- 1,829,689 11/1931 Townley et al. .

- 1,935,901 8/1933 Augenblick .
- 1,952,612 6/1934 Sherwood .
- 1,967,040 1/1934 Pickett .
- 1,982,820 12/1934 Lowenstein .
- 2,078,488 4/1937 Farnham .
- 2,109,965 1/1938 Booth .
- 2,134,908 11/1938 Copeman .
- 2,199,201 4/1940 Heden .
- 2,593,566 4/1952 Kamp .
- 3,311,231 3/1967 English, Jr. .
- 3,381,873 5/1968 Hirota .
- 3,628,818 12/1971 Pittman .
- 3,745,973 7/1973 Knecht .
- 3,848,564 11/1974 Kull .
- 3,988,834 11/1976 Anderson .
- 4,181,745 1/1980 Grove et al. .
- 4,370,941 2/1983 Belton .
- 4,371,555 2/1983 Tully .
- 4,419,103 12/1983 Balkan .
- 4,531,575 7/1985 Thill .
- 4,573,586 3/1986 Helmer .
- 4,664,925 5/1987 McShane .
- 4,693,205 9/1987 Thill .
- 4,798,162 1/1989 Nelson .
- 4,853,240 8/1989 McShane .
- 4,967,687 11/1990 McShane .
- 5,063,871 11/1991 Chambers .
- 5,074,239 12/1991 Law .
- 5,164,009 11/1992 Chandler .
- 5,348,766 9/1994 Latham .
- 5,565,229 10/1996 Mandle .

Primary Examiner—Terry A. Wallace
Attorney, Agent, or Firm—Joseph T. Majka

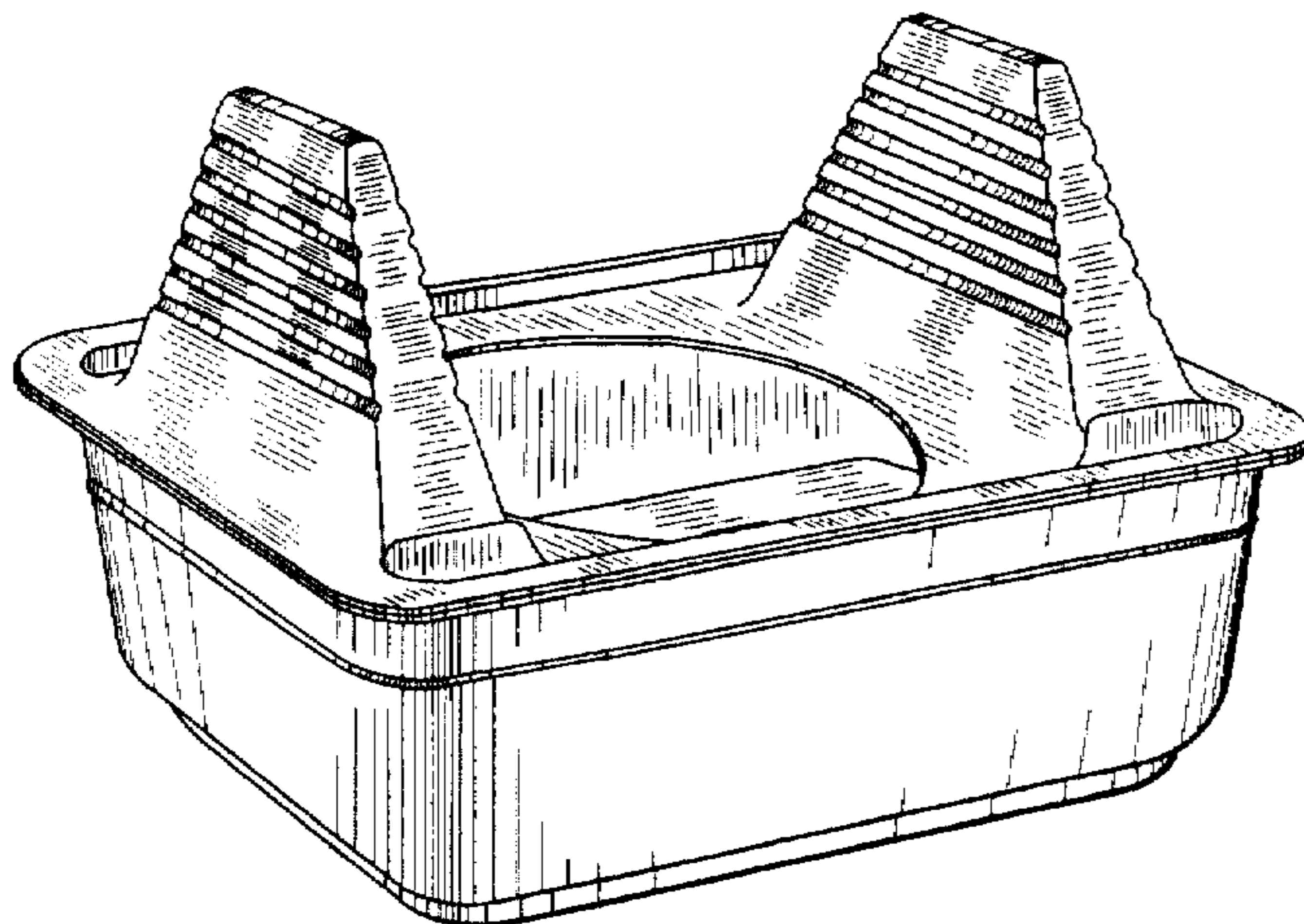
[57] **CLAIM**

The ornamental design for an egg holder and tray, as shown and described.

DESCRIPTION

FIG. 1 is a top perspective view of an egg holder and tray; FIG. 2 is an exploded view of the egg holder and the tray; FIG. 3 is a left side view thereof; FIG. 4 is a right side view thereof; FIG. 5 is a front end view thereof; FIG. 6 is a rear end view thereof; FIG. 7 is a top plan view thereof; and, FIG. 8 is a bottom plan view thereof.

1 Claim, 5 Drawing Sheets



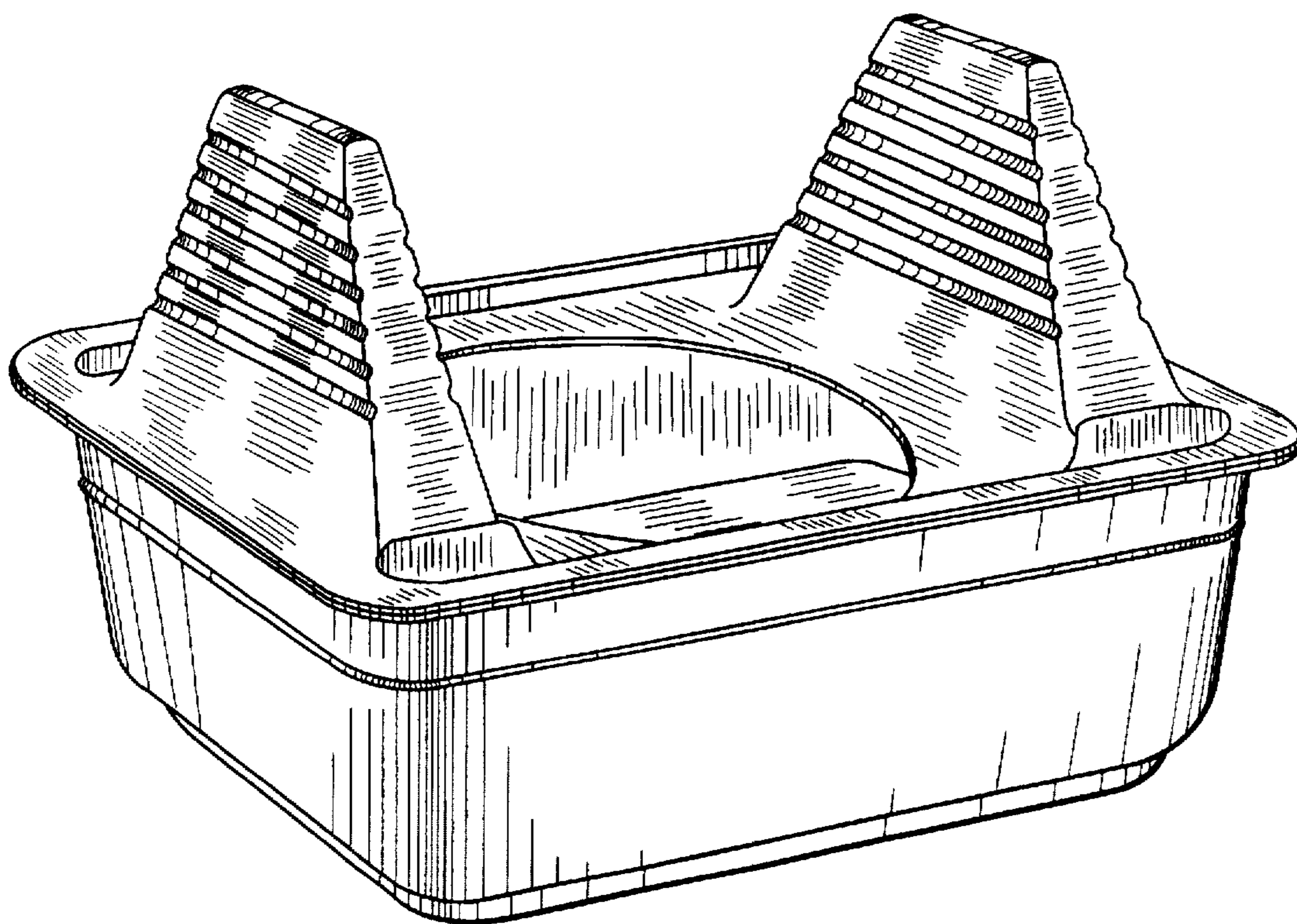
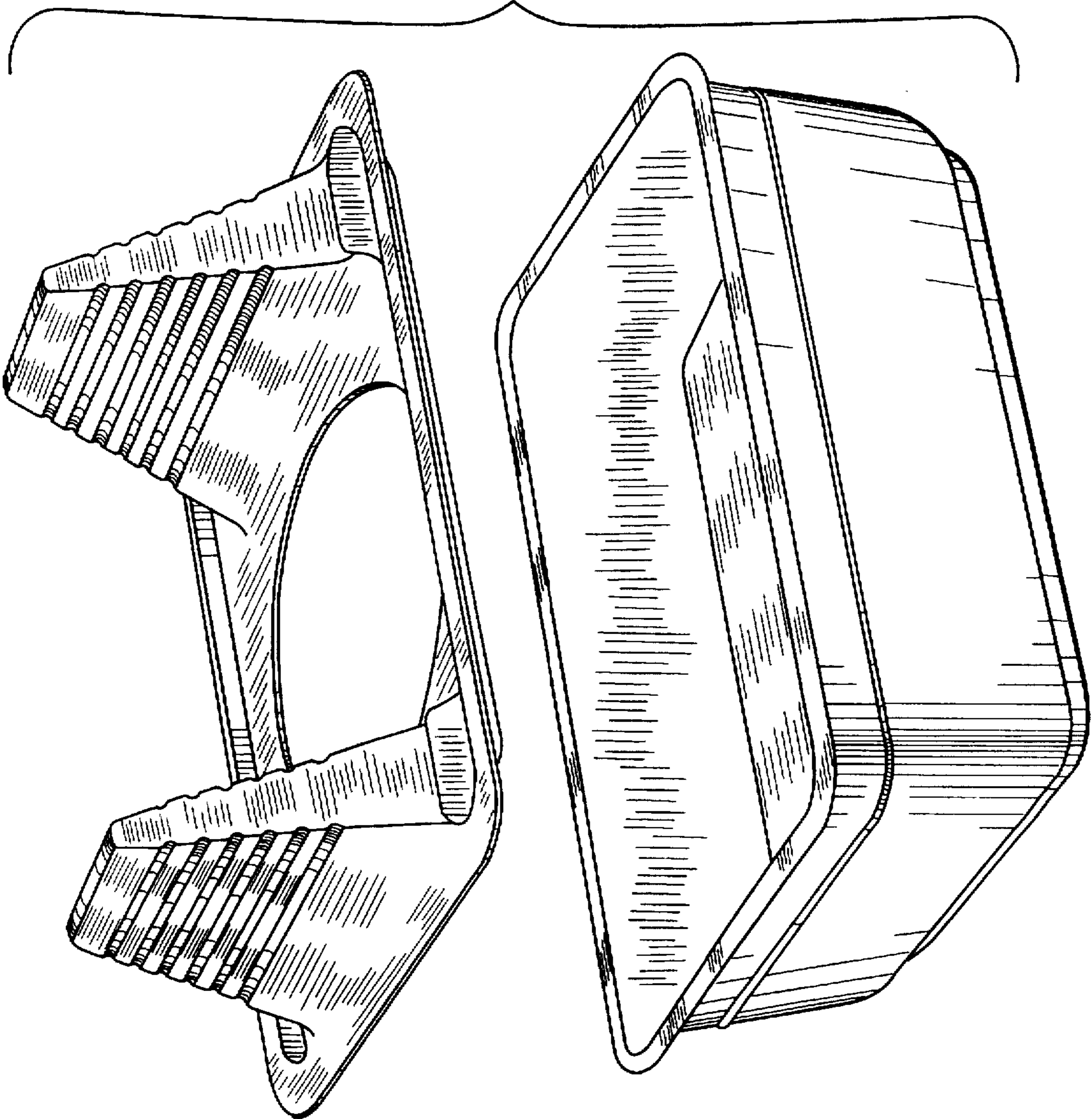


FIG. 1

FIG. 2



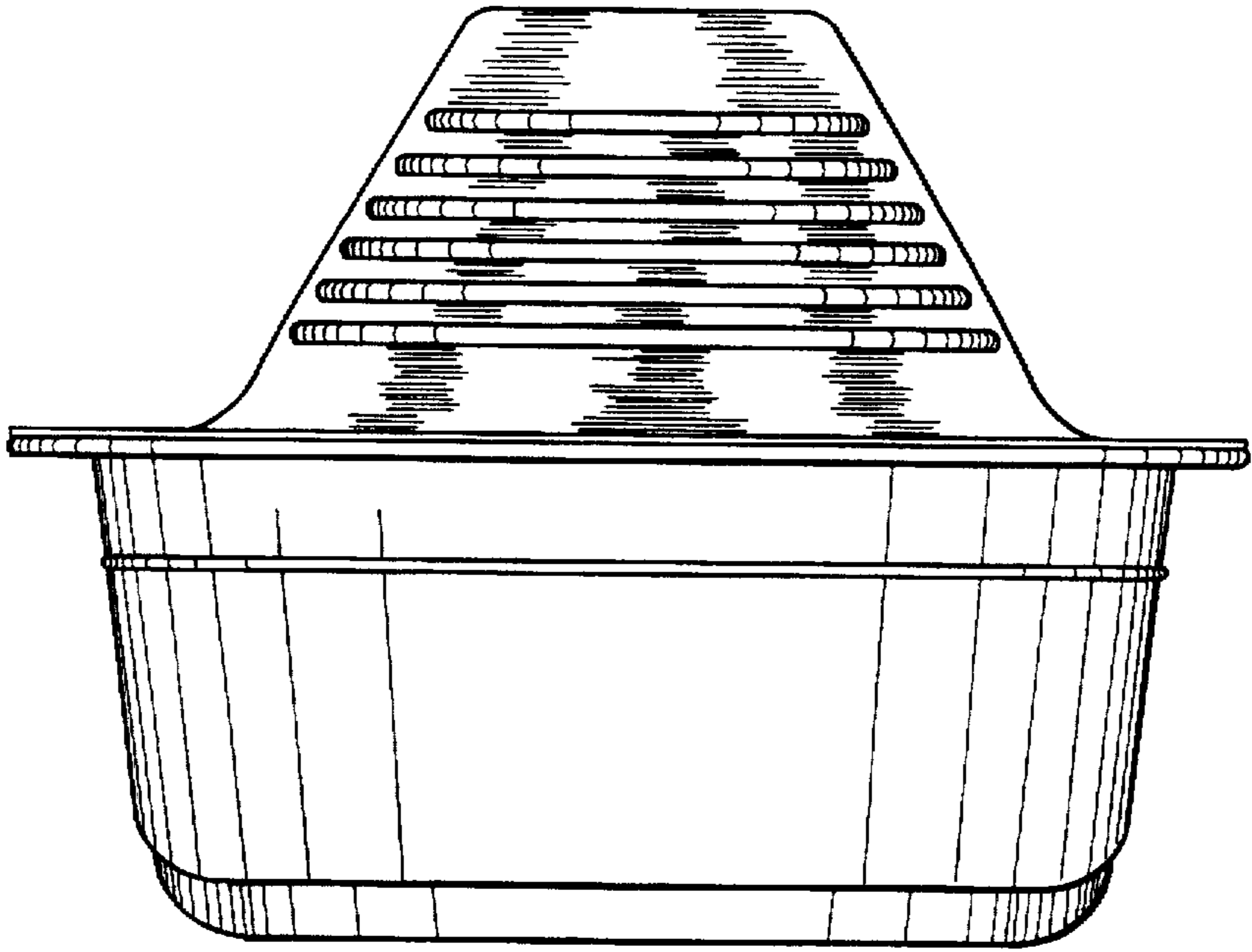


FIG. 3

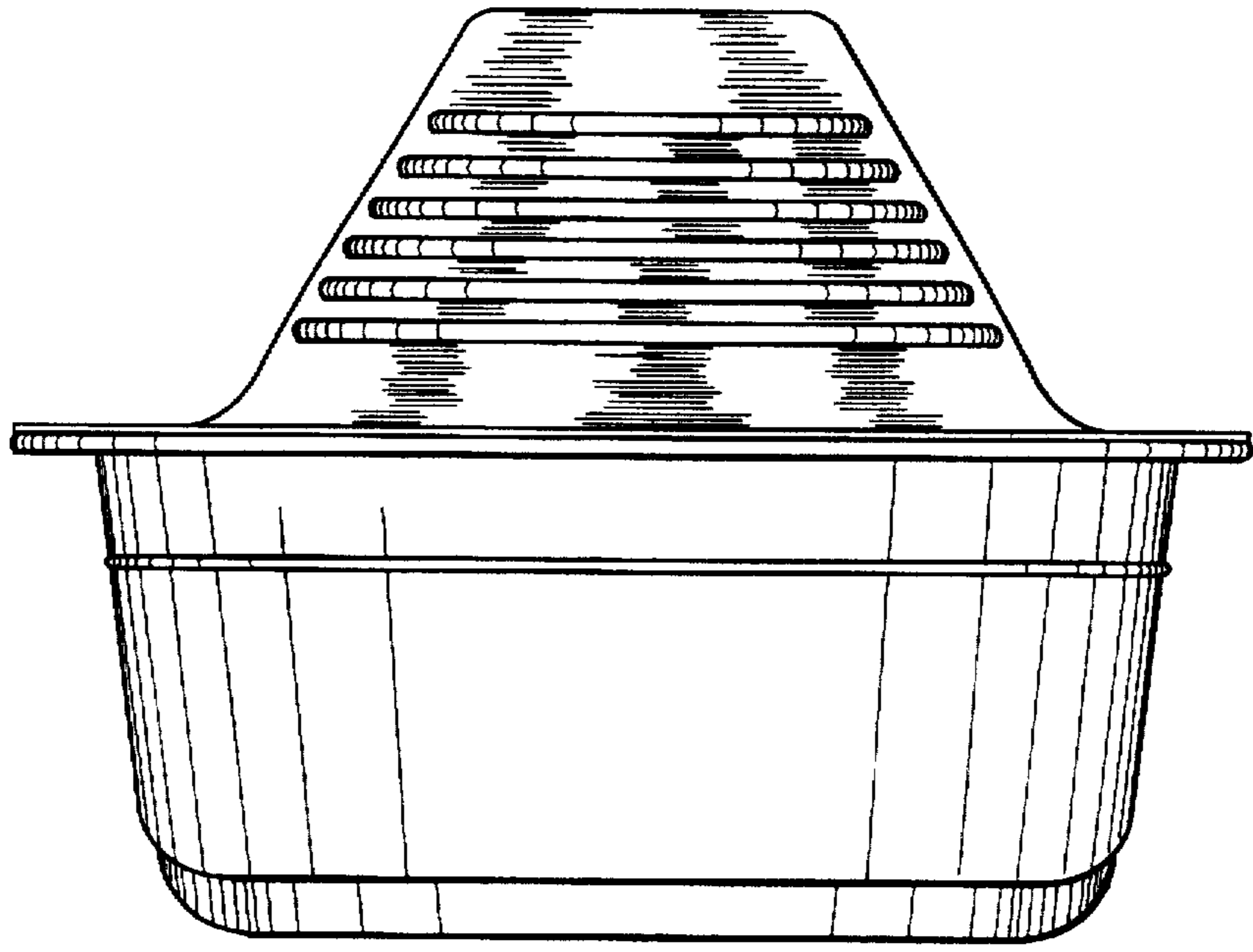


FIG. 4

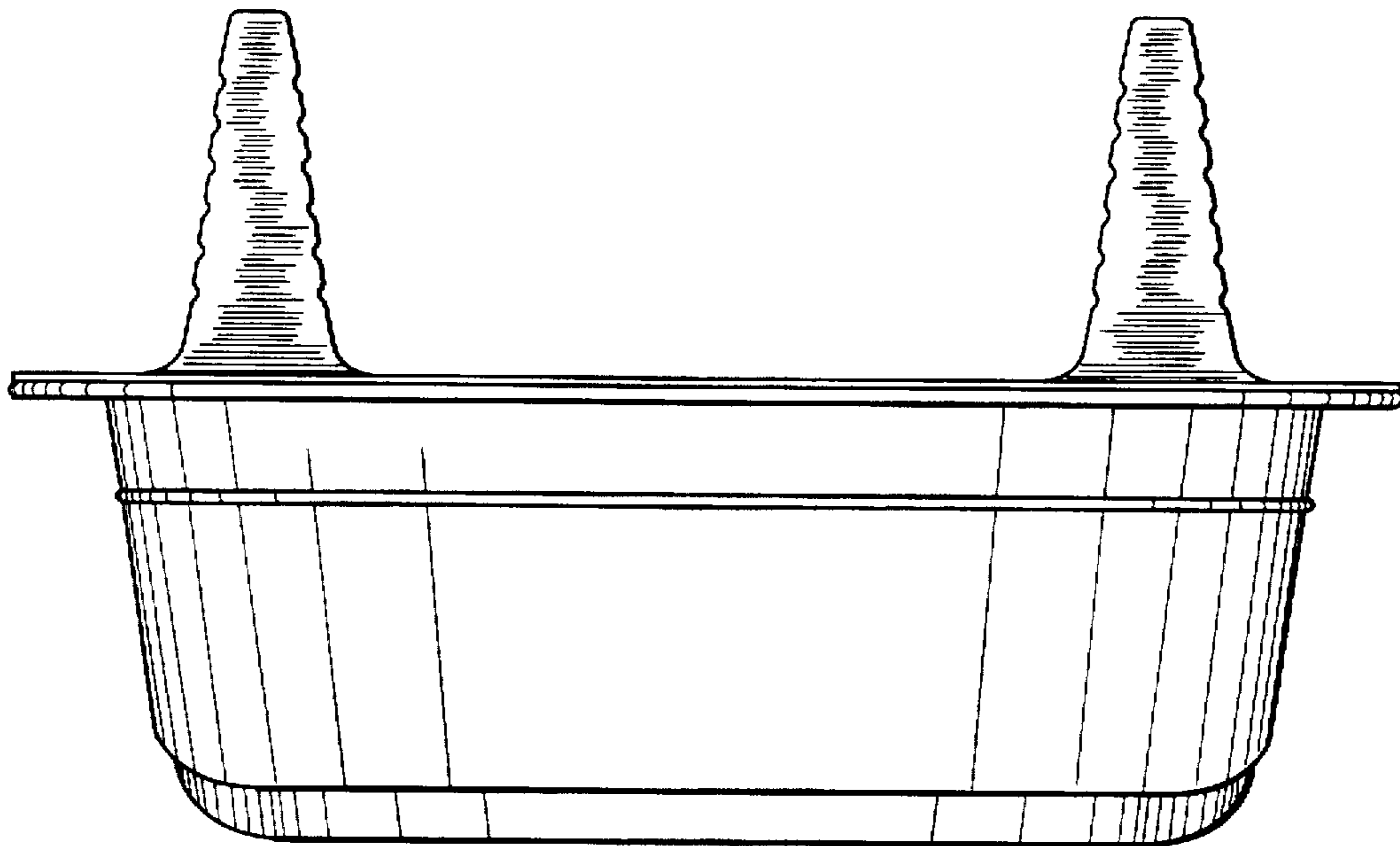


FIG. 5

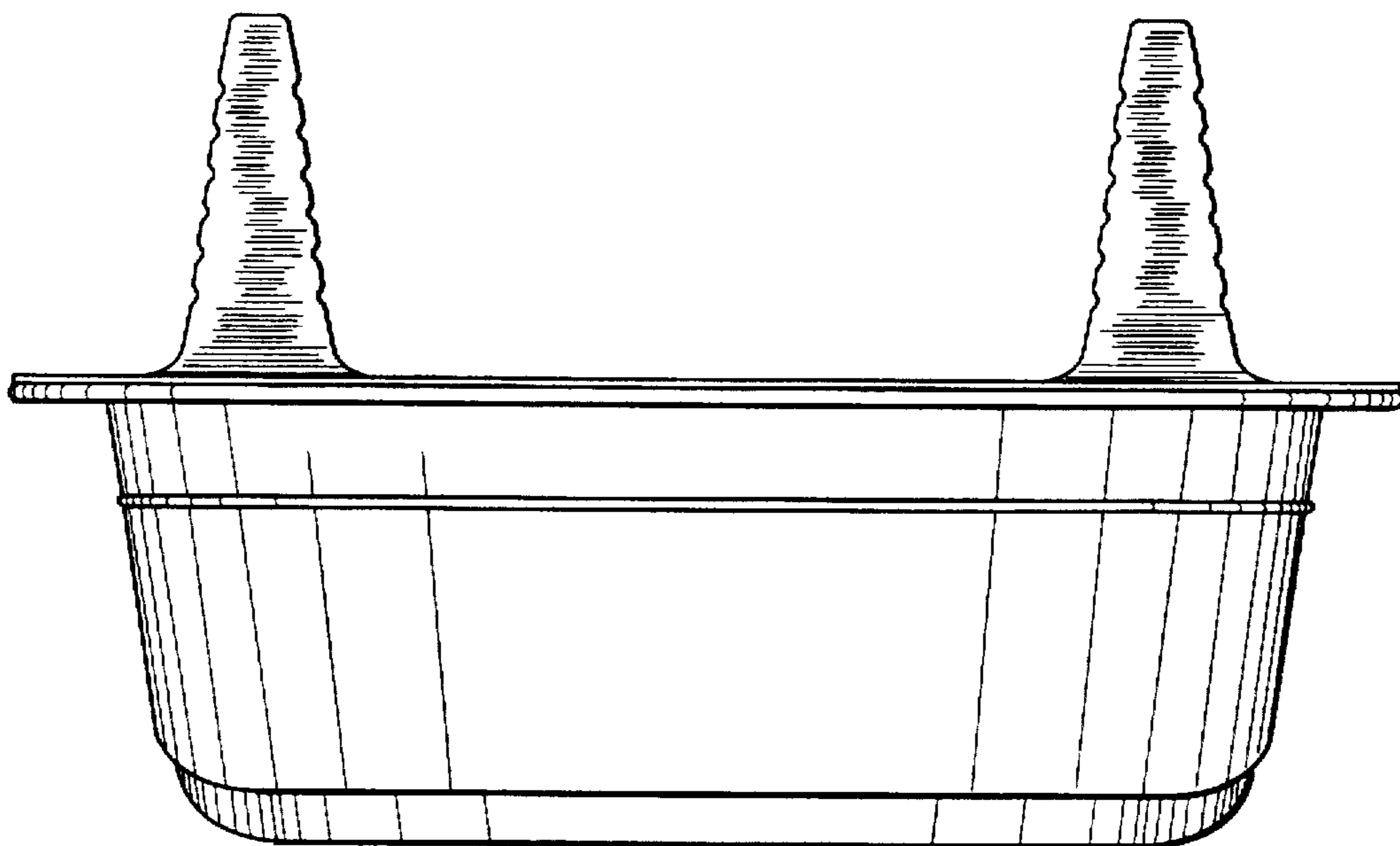


FIG. 6

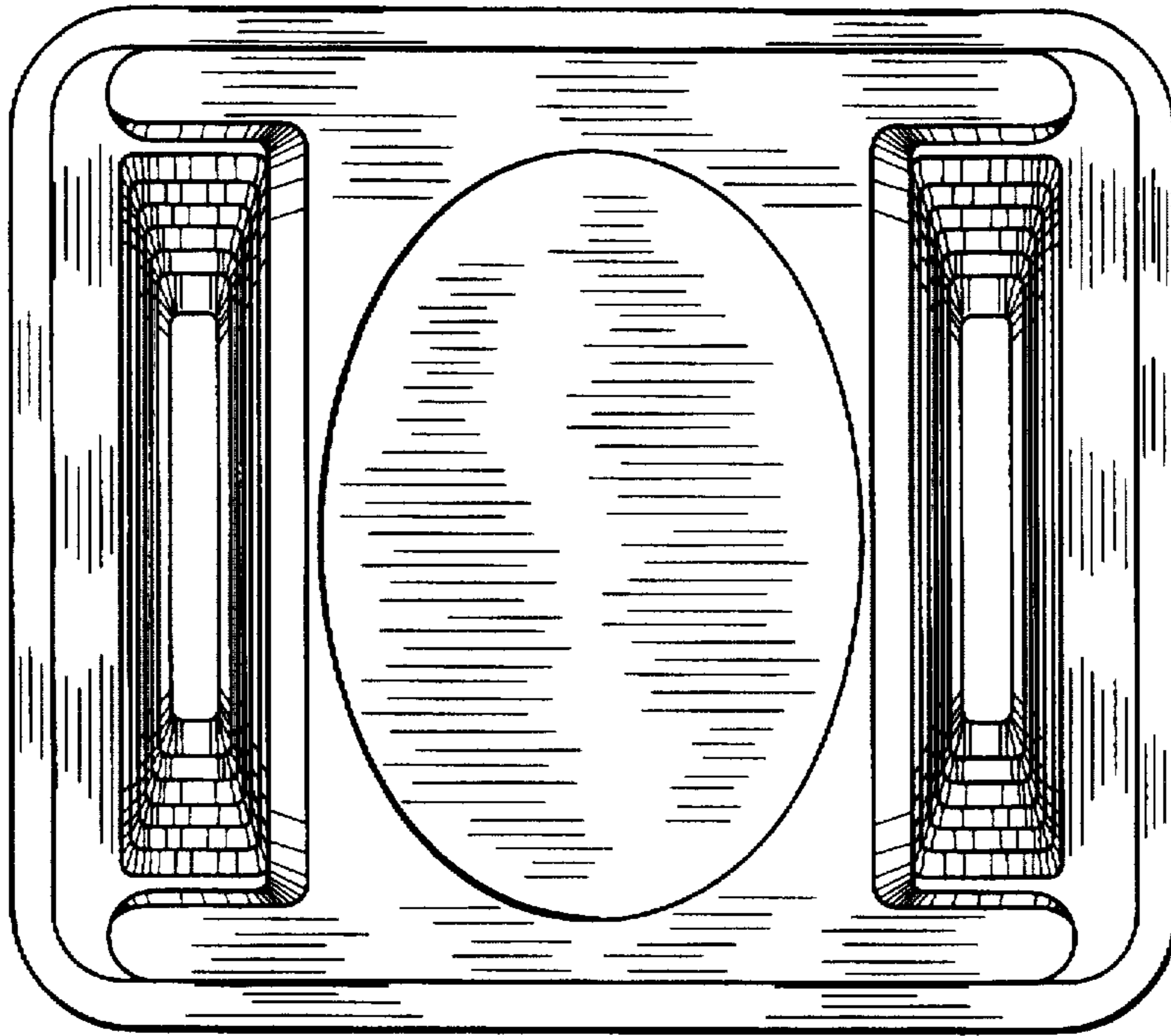


FIG. 7

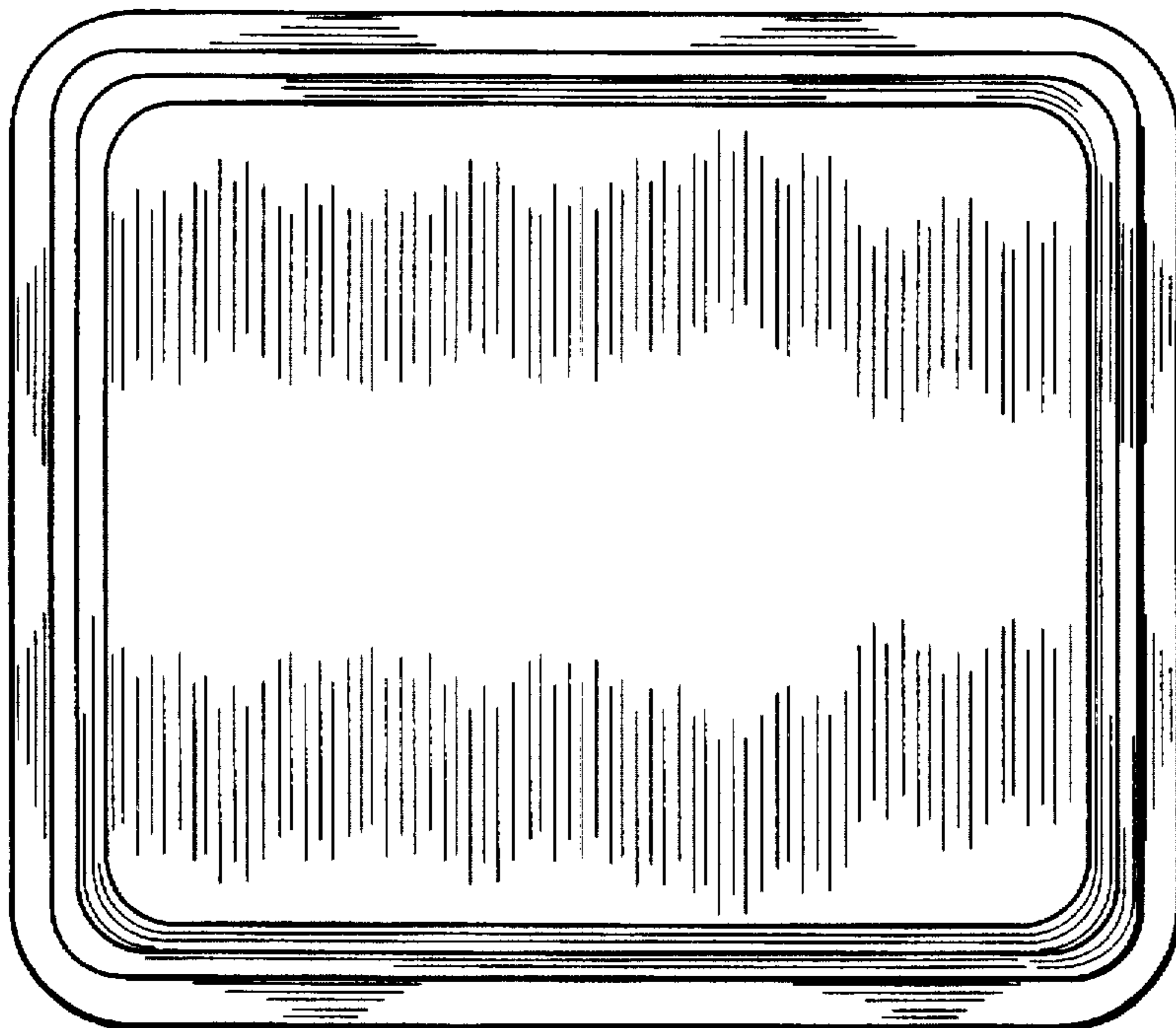


FIG. 8