

US00D395794S

United States Patent [19]
Moran

[11] **Patent Number:** **Des. 395,794**
[45] **Date of Patent:** ****Jul. 7, 1998**

[54] **LIQUID FLASK**

[75] **Inventor:** **Jorge E. Moran**, Nashville, Tenn.

[73] **Assignee:** **Megatrade International, Inc.**,
Nashville, Tenn.

[**] **Term:** **14 Years**

[21] **Appl. No.:** **67,821**

[22] **Filed:** **Feb. 14, 1997**

[51] **LOC (6) Cl.** **07-01**

[52] **U.S. Cl.** **D7/608**

[58] **Field of Search** D7/605, 608; D9/502-504;
62/457.1, 457.3, 457.4, 457.7; 215/12.1,
13.1

[56] **References Cited**

U.S. PATENT DOCUMENTS

| | | | | |
|------------|---------|---------|-------|----------|
| D. 363,858 | 11/1995 | Sweeney | | D7/608 |
| 3,327,881 | 6/1967 | Maier | | D7/608 X |
| 3,356,243 | 12/1967 | Piker | | D7/608 X |

OTHER PUBLICATIONS

Sears, Roebuck & Co, p. 4, Pint Bottle, #7332.

Primary Examiner—Terry A. Wallace
Attorney, Agent, or Firm—Arent Fox Kintner Plotkin & Kahn

[57] **CLAIM**

The ornamental design for a liquid flask, as shown and described.

DESCRIPTION

FIG. 1 is a front elevation view of the liquid flask showing my new design;

FIG. 2 is a side elevation view thereof;

FIG. 3 is a rear elevation view thereof;

FIG. 4 is a top plan view thereof; and,

FIG. 5 is an exploded side elevation view thereof.

The bottom view of the liquid flask forms no part of the claimed design.

1 Claim, 4 Drawing Sheets

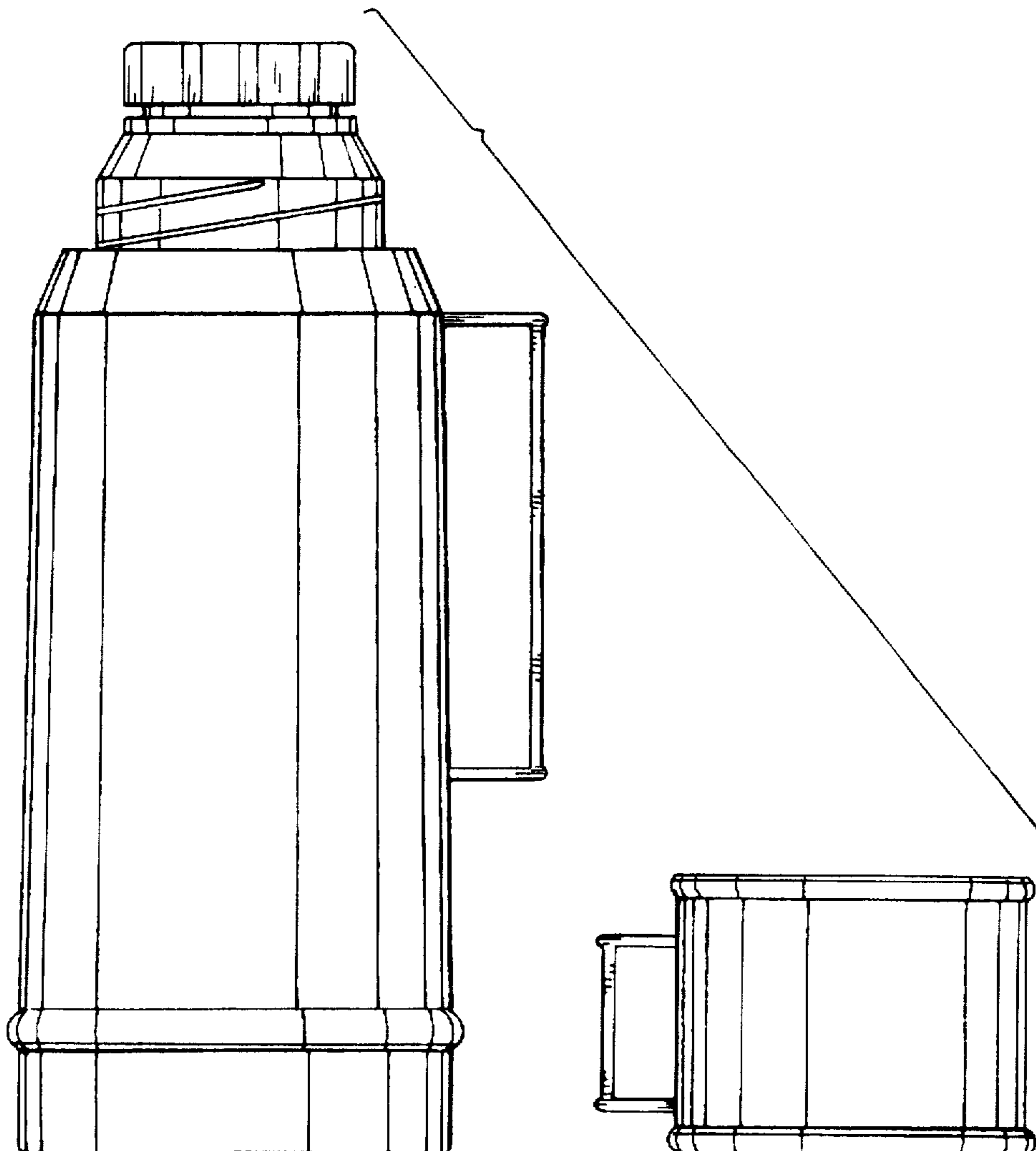


FIG. 1

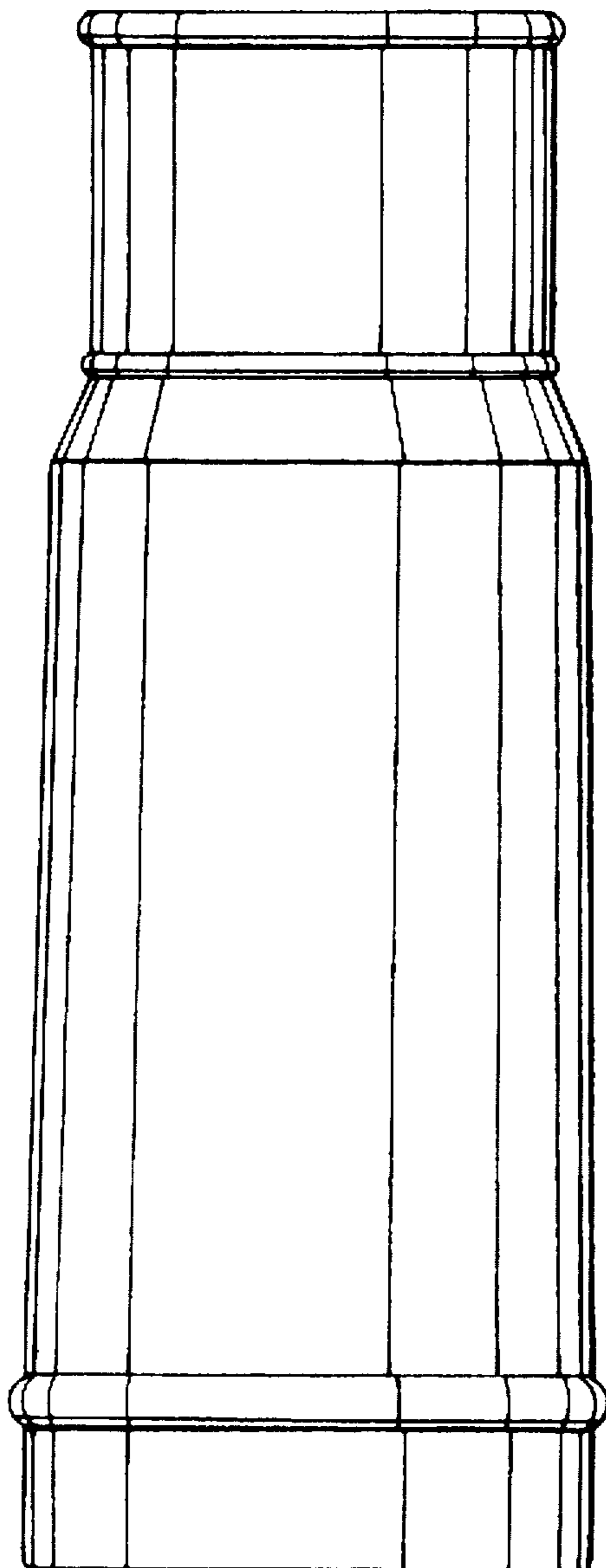


FIG. 2

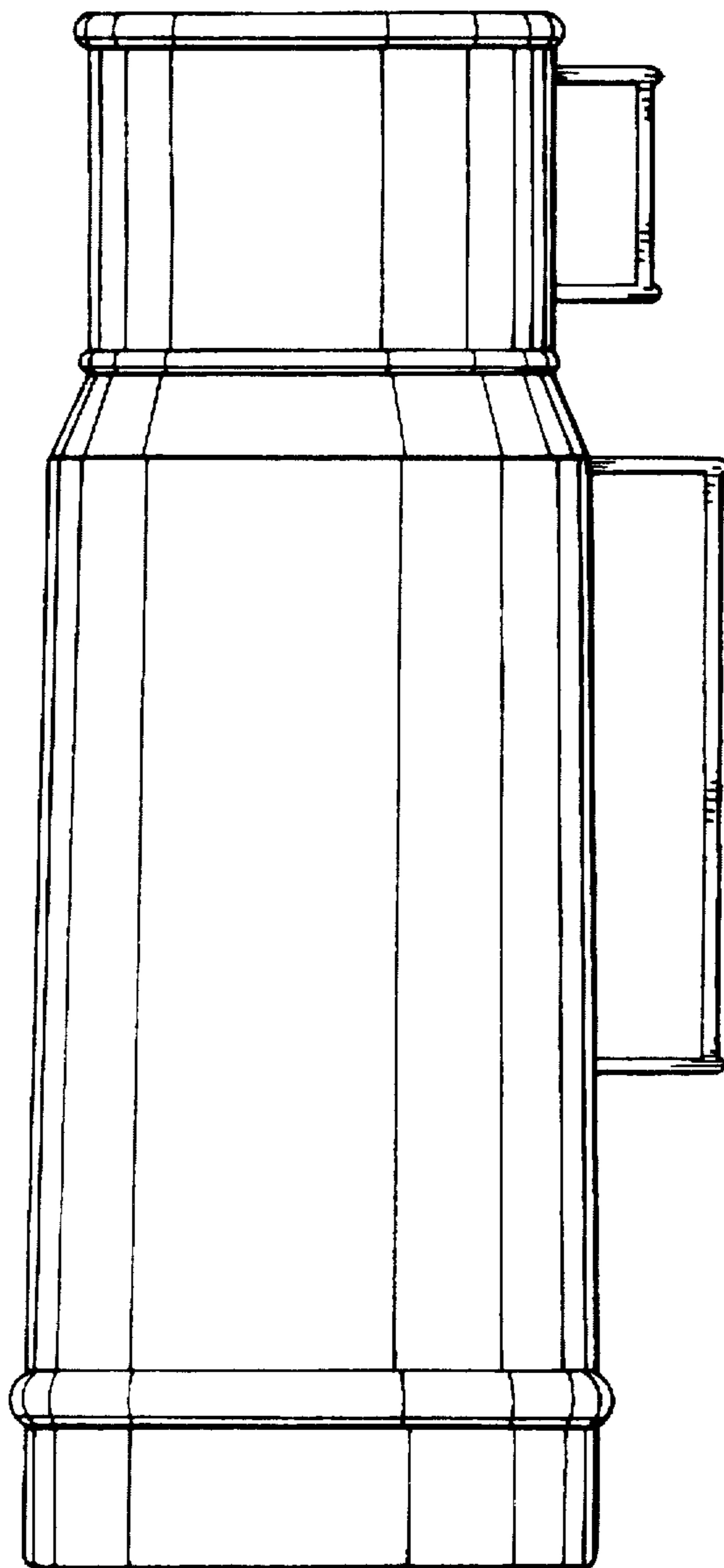


FIG. 3

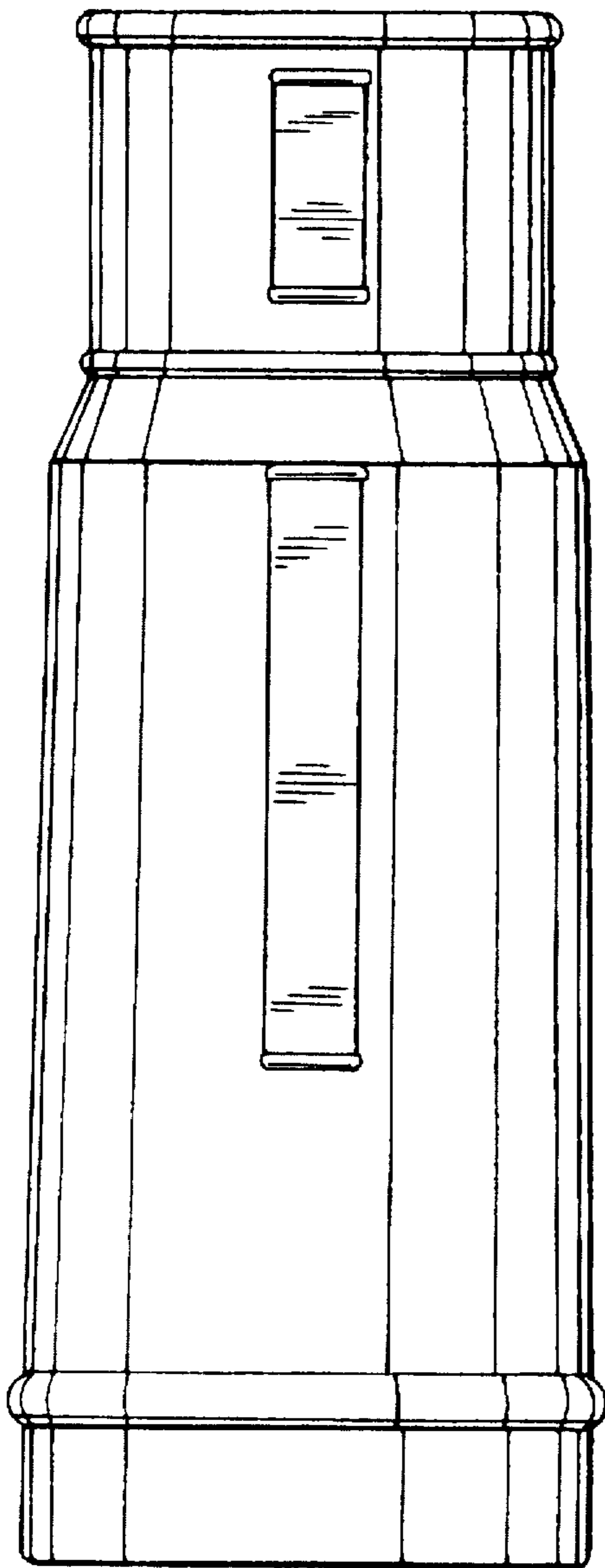


FIG. 4

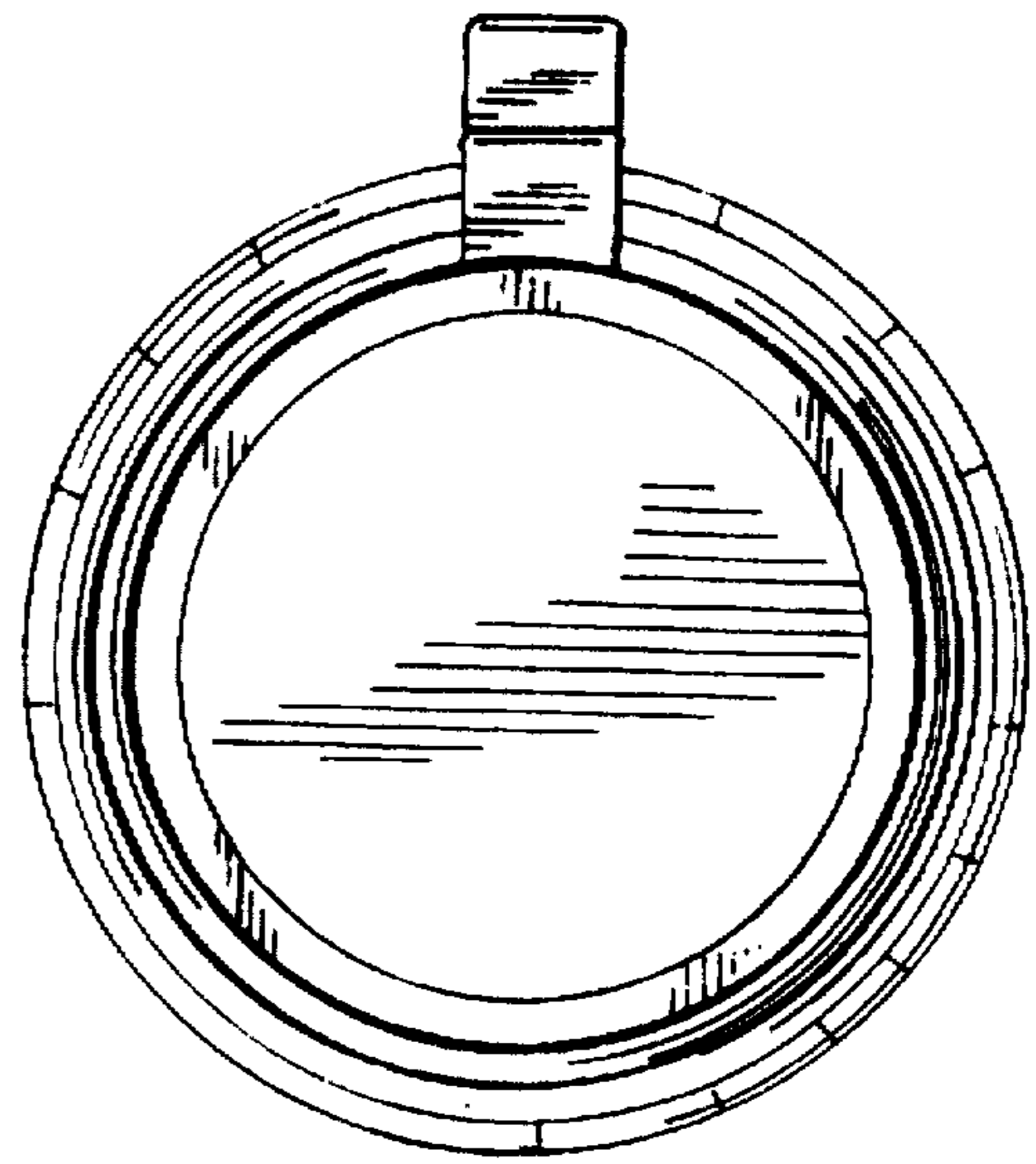


FIG. 5

