



US00D395787S

United States Patent [19]

[11] Patent Number: **Des. 395,787**

Wilks

[45] Date of Patent: ****Jul. 7, 1998**

[54] COOKING KETTLE

FOREIGN PATENT DOCUMENTS

[76] Inventor: **Elvira Wilks**, 919 W. Main, Moore, Okla. 73160

3012353 10/1981 Germany 126/390
197828 8/1938 Switzerland 126/390

[**] Term: **14 Years**

Primary Examiner—Caron D. Veynar

[21] Appl. No.: **69,791**

[57] CLAIM

[22] Filed: **Apr. 24, 1997**

The ornamental design for a cooking kettle, as shown.

[51] LOC (6) Cl. **07-02**

DESCRIPTION

[52] U.S. Cl. **D7/357; D7/360**

FIG. 1 is a front plan view of the cooking kettle of the present invention;

[58] Field of Search D7/354-361; 99/403, 99/408, 410-418, 448, 450, 324, 325, 339, 345, 425, 426; 126/390

FIG. 2 is an exploded front plan view of the cooking kettle of FIG. 1;

FIG. 3 is an exploded rear plan view of the cooking kettle of FIG. 1;

[56] References Cited

U.S. PATENT DOCUMENTS

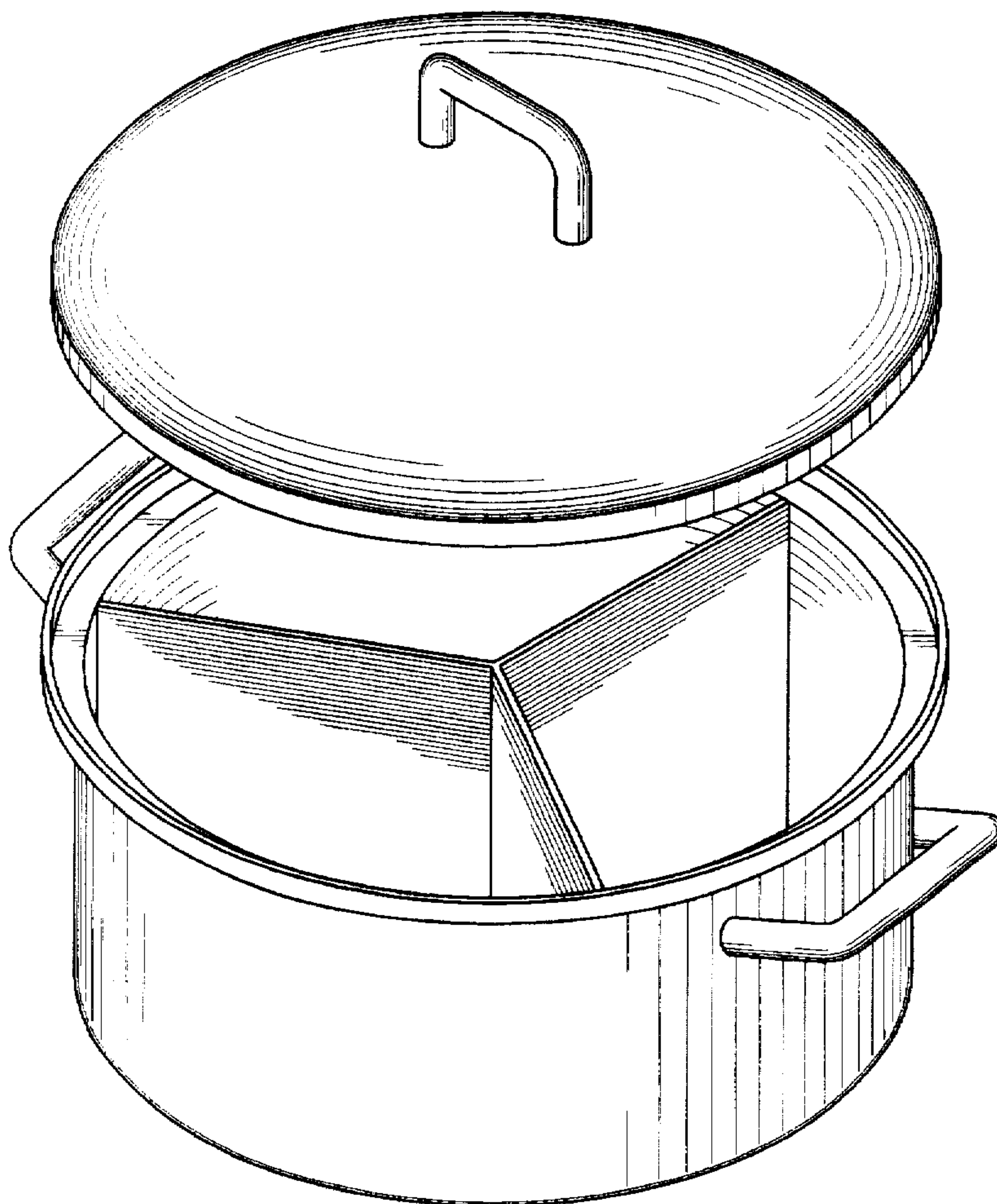
D. 156,184	11/1949	Ulmer	D7/357
D. 368,828	4/1996	Thurlo	D7/360
471,517	3/1892	Barry et al.	D7/357 X
2,431,582	11/1947	Page	D7/358 X
2,515,617	7/1950	Tilford	D7/357 X
4,817,512	4/1989	Vangen	D7/323 X
5,287,798	2/1994	Takeda	99/413

FIG. 4 is an exploded right side view of the cooking kettle of FIG. 1;

FIG. 5 is an exploded left side view of the cooking kettle of FIG. 1;

FIG. 6 is a top plan view of the cooking kettle of FIG. 1; and, FIG. 7 is a bottom plan view of the cooking kettle of FIG. 1.

1 Claim, 4 Drawing Sheets



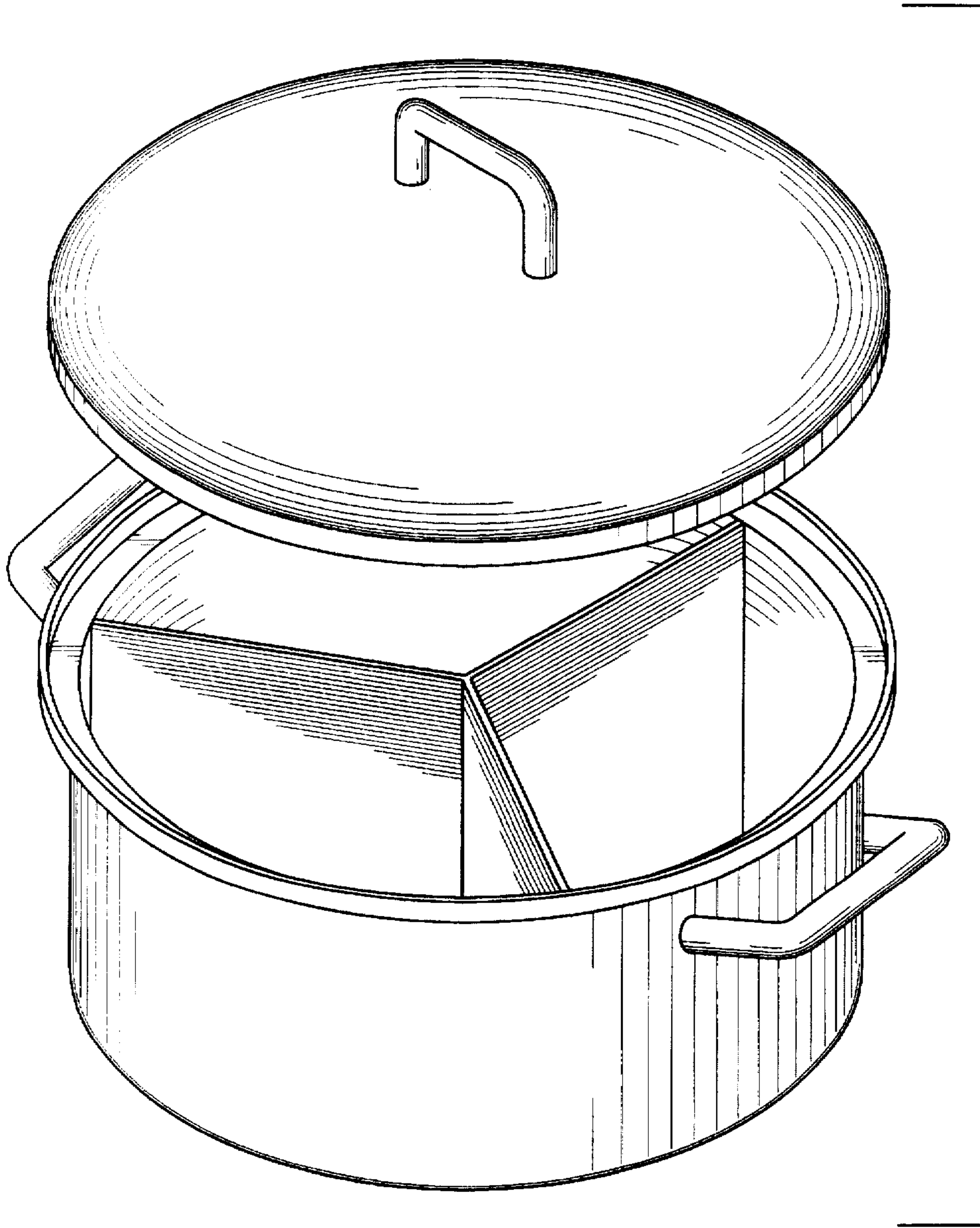


Fig. 1

Fig. 2

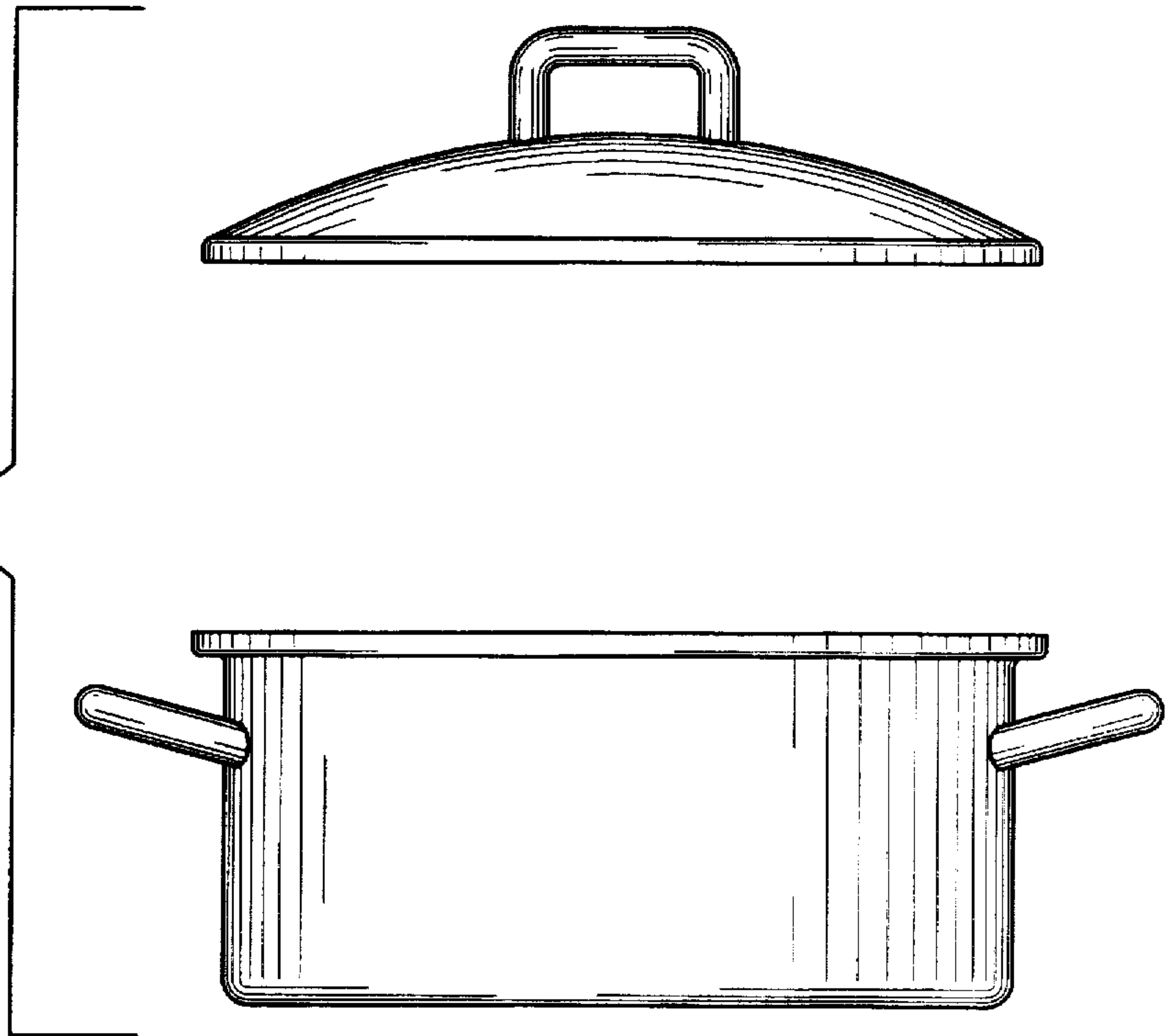


Fig. 3

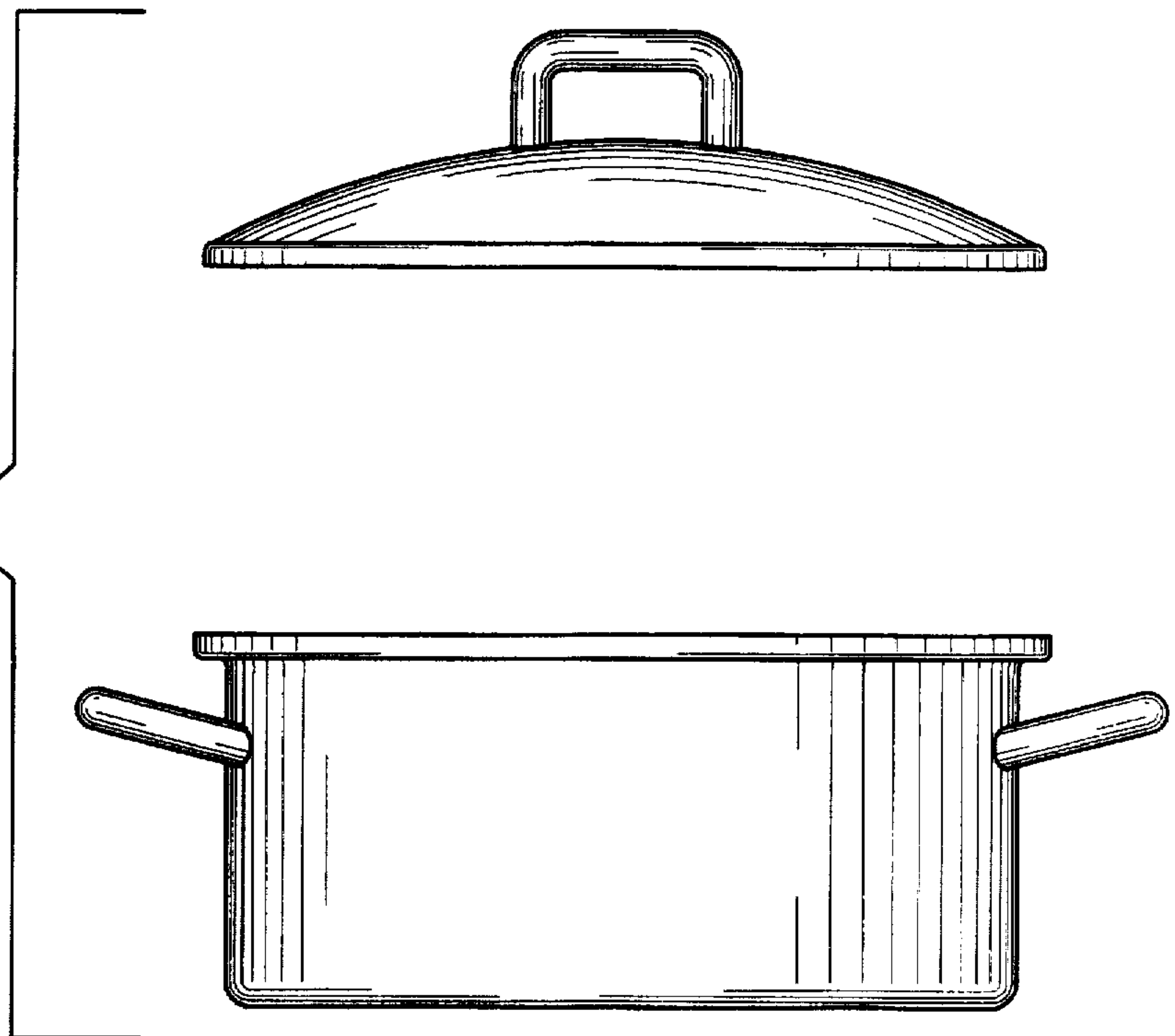


Fig. 4

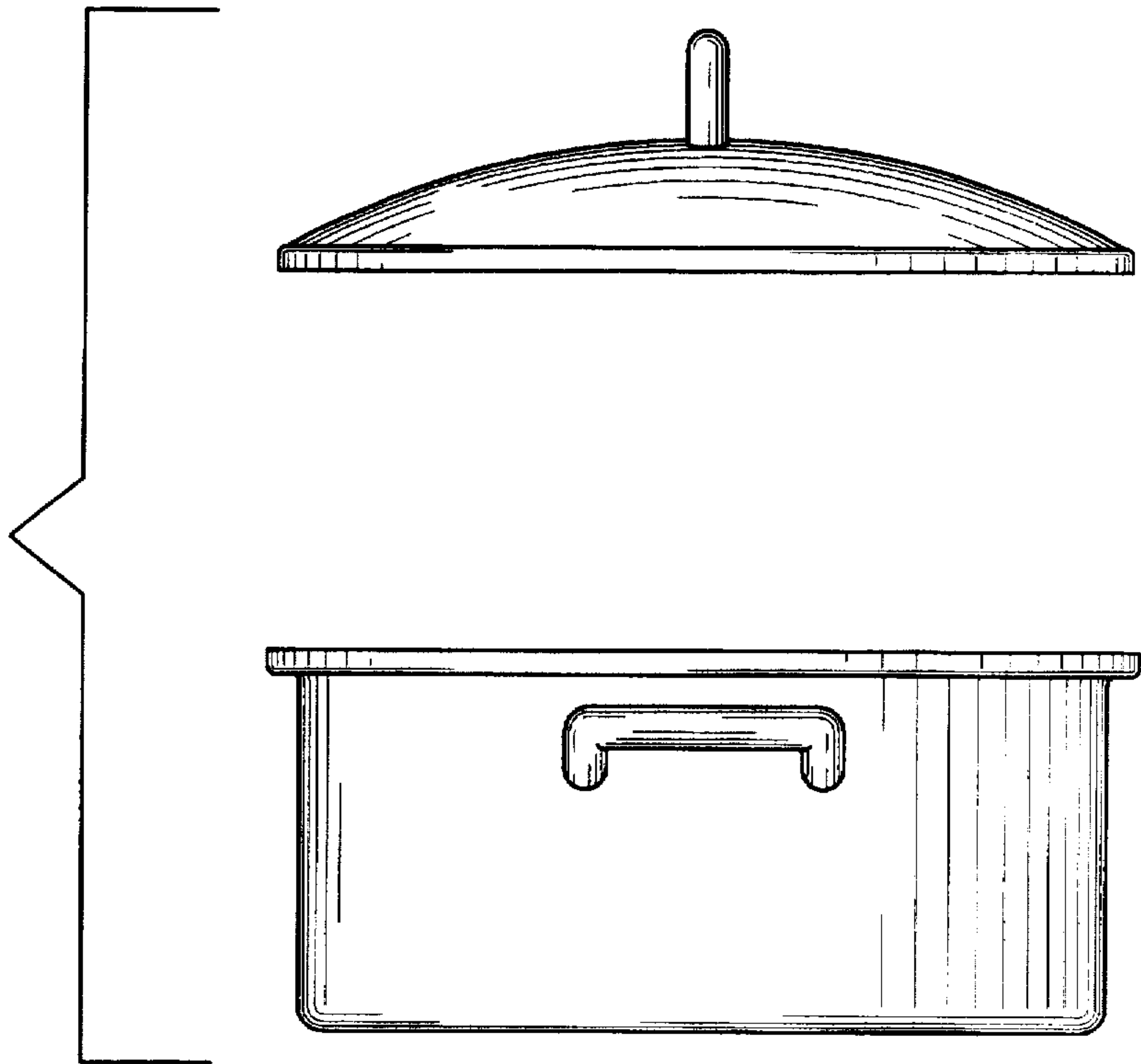
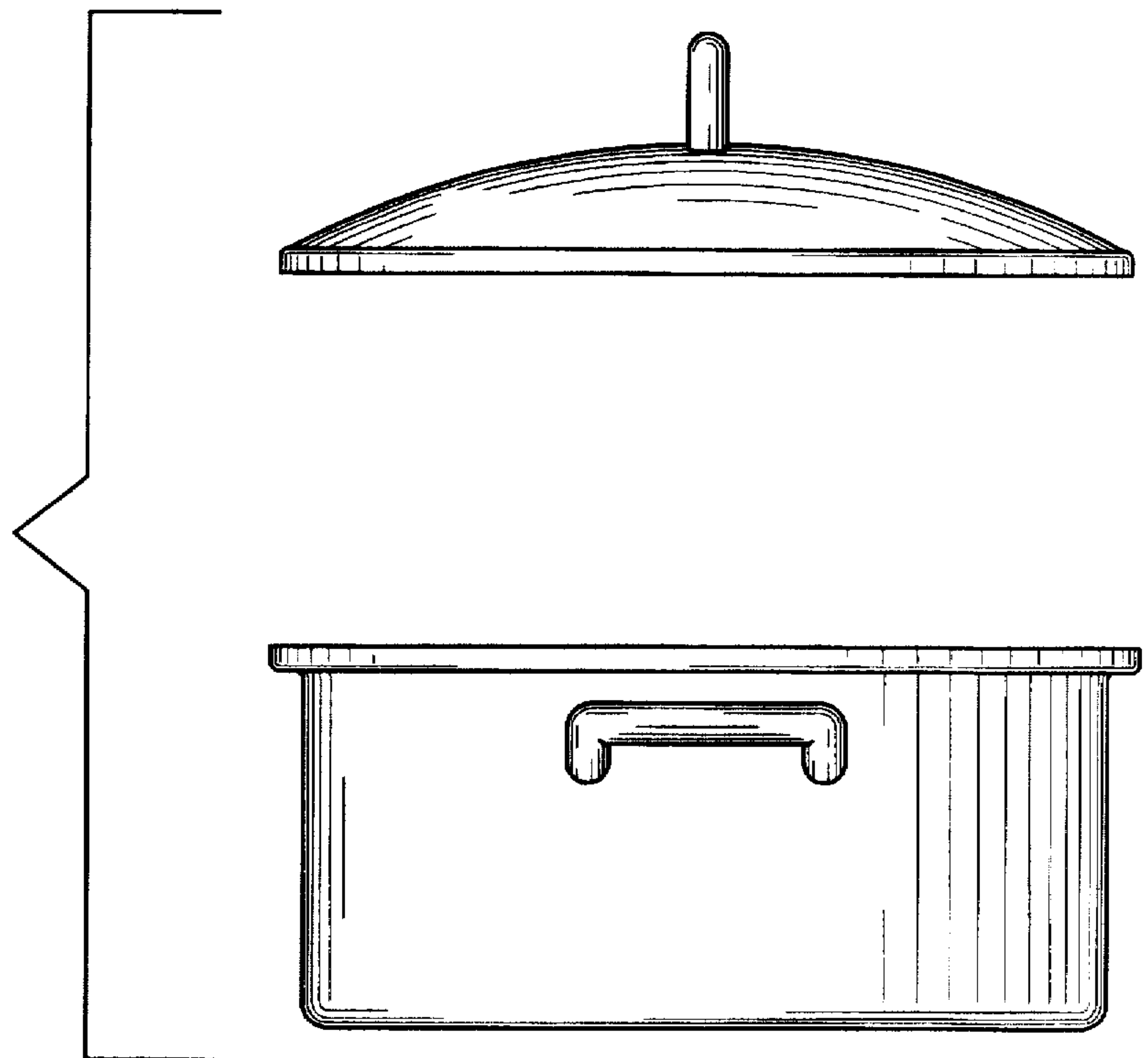


Fig. 5



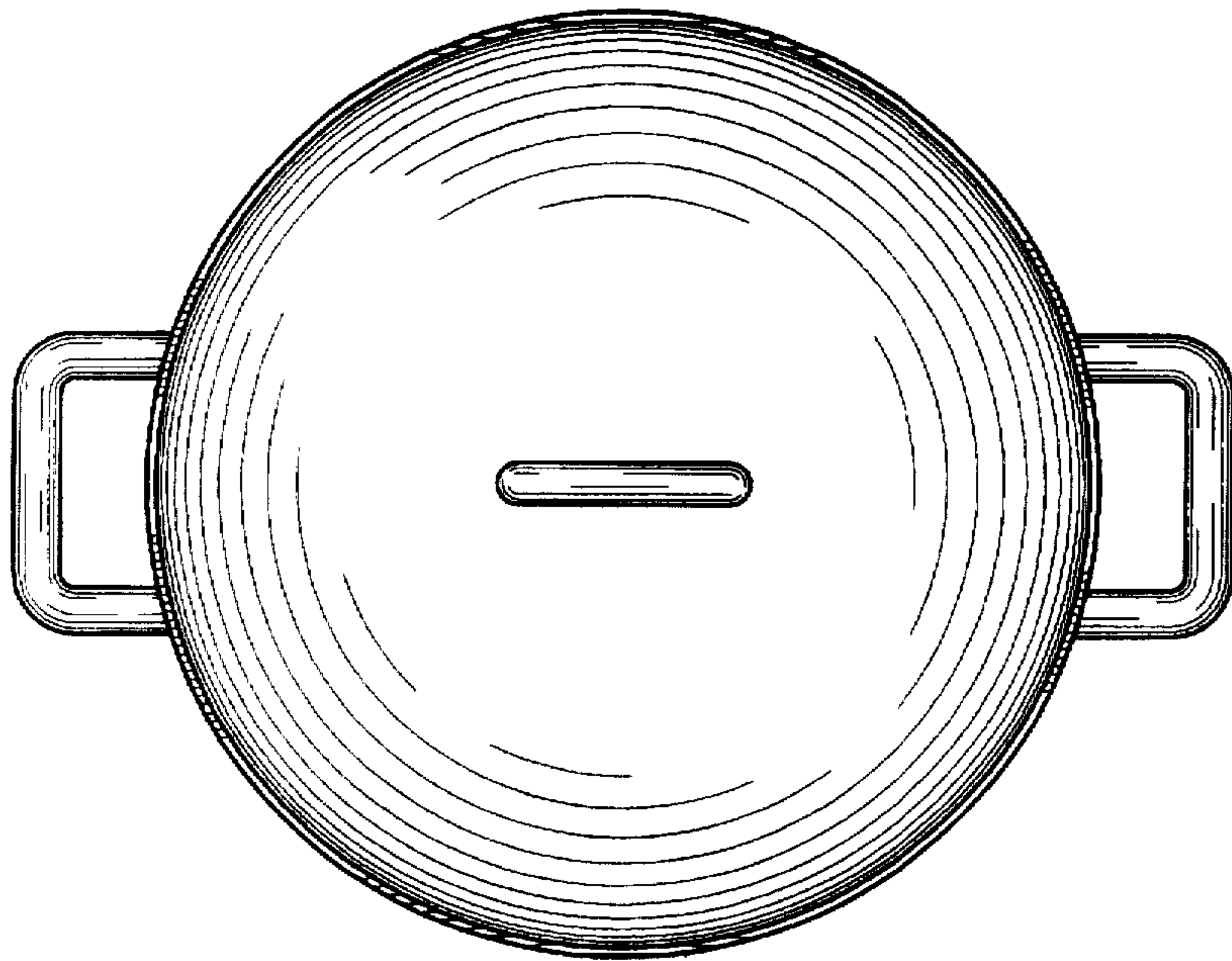


Fig. 6

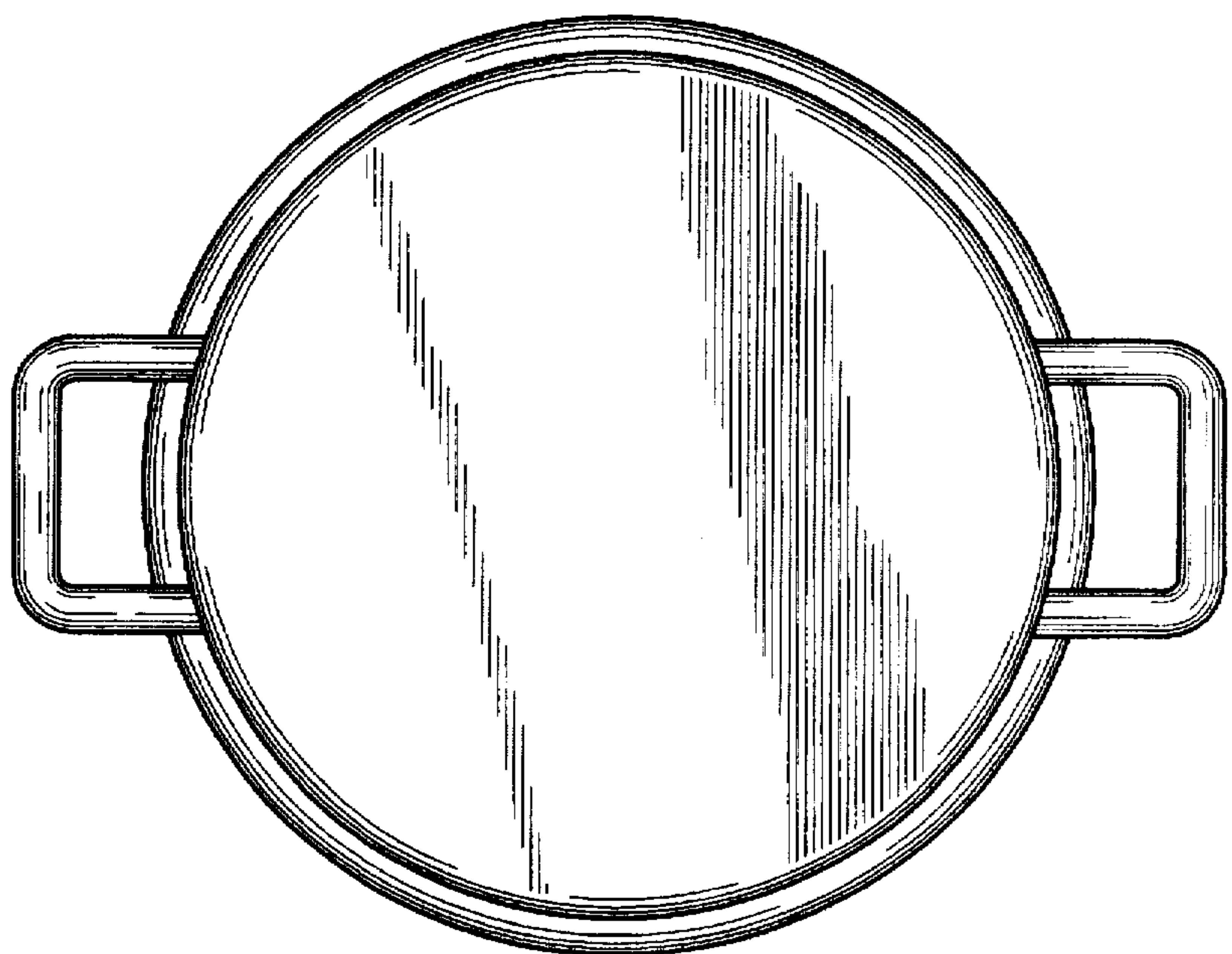


Fig. 7