



US00D395785S

United States Patent [19]
Lin

[11] **Patent Number:** **Des. 395,785**
[45] **Date of Patent:** ****Jul. 7, 1998**

[54] **GRILL**
[76] **Inventor:** **Patrick Lin**, 3rd Fl., No. 128, Sec. 3,
Minsheng E. Rd., Taipei, Taiwan
[**] **Term:** **14 Years**
[21] **Appl. No.:** **70,283**
[22] **Filed:** **May 5, 1997**
[51] **LOC (6) Cl.** **07-02**
[52] **U.S. Cl.** **D7/332**
[58] **Field of Search** **D7/332-337, 402-404;**
126/25 R, 25 A, 25 AA, 29-30

5,111,802 5/1992 Lin 126/25 R
5,159,917 11/1992 Archer et al. 126/25 R

Primary Examiner—Ruth McInroy
Attorney, Agent, or Firm—Peterson, Wicks, Nemer &
Kamrath, P.A.

[57] **CLAIM**

The ornamental design for a grill, as shown and described.

DESCRIPTION

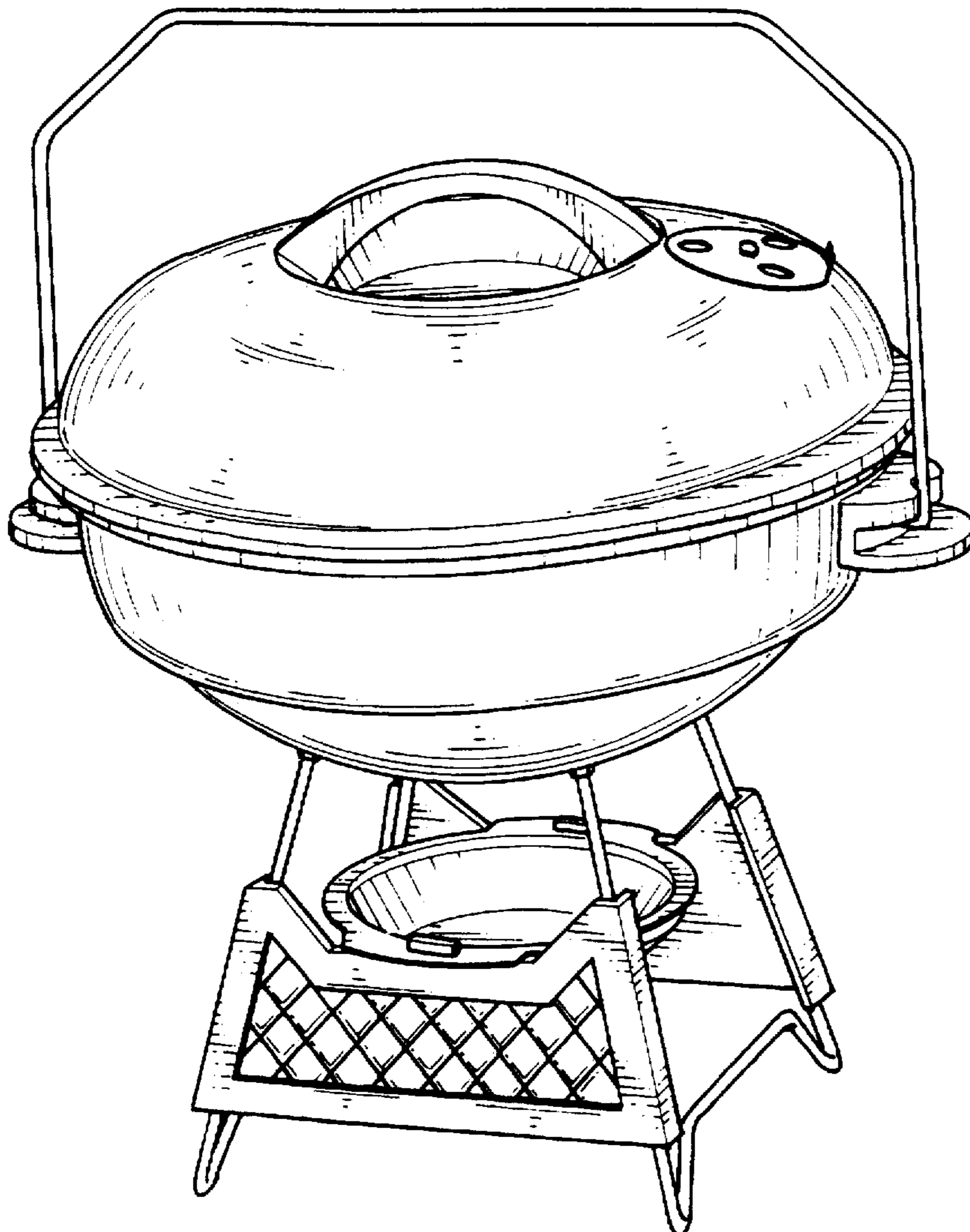
FIG. 1 is a front, top and right perspective view of a grill showing my new design;
FIG. 2 is a front view thereof, the rear view thereof being a mirrored image;
FIG. 3 is a left side elevational view thereof;
FIG. 4 is a right side elevational view thereof;
FIG. 5 is a top plan view thereof; and,
FIG. 6 is a bottom plan view thereof.

[56] **References Cited**

U.S. PATENT DOCUMENTS

D. 284,929 8/1986 Schlosser et al. D7/332
D. 315,079 3/1991 Jui-Yen D7/334
D. 376,510 12/1996 Ting D7/332
4,463,746 8/1984 Knuth et al. D7/332

1 Claim, 5 Drawing Sheets



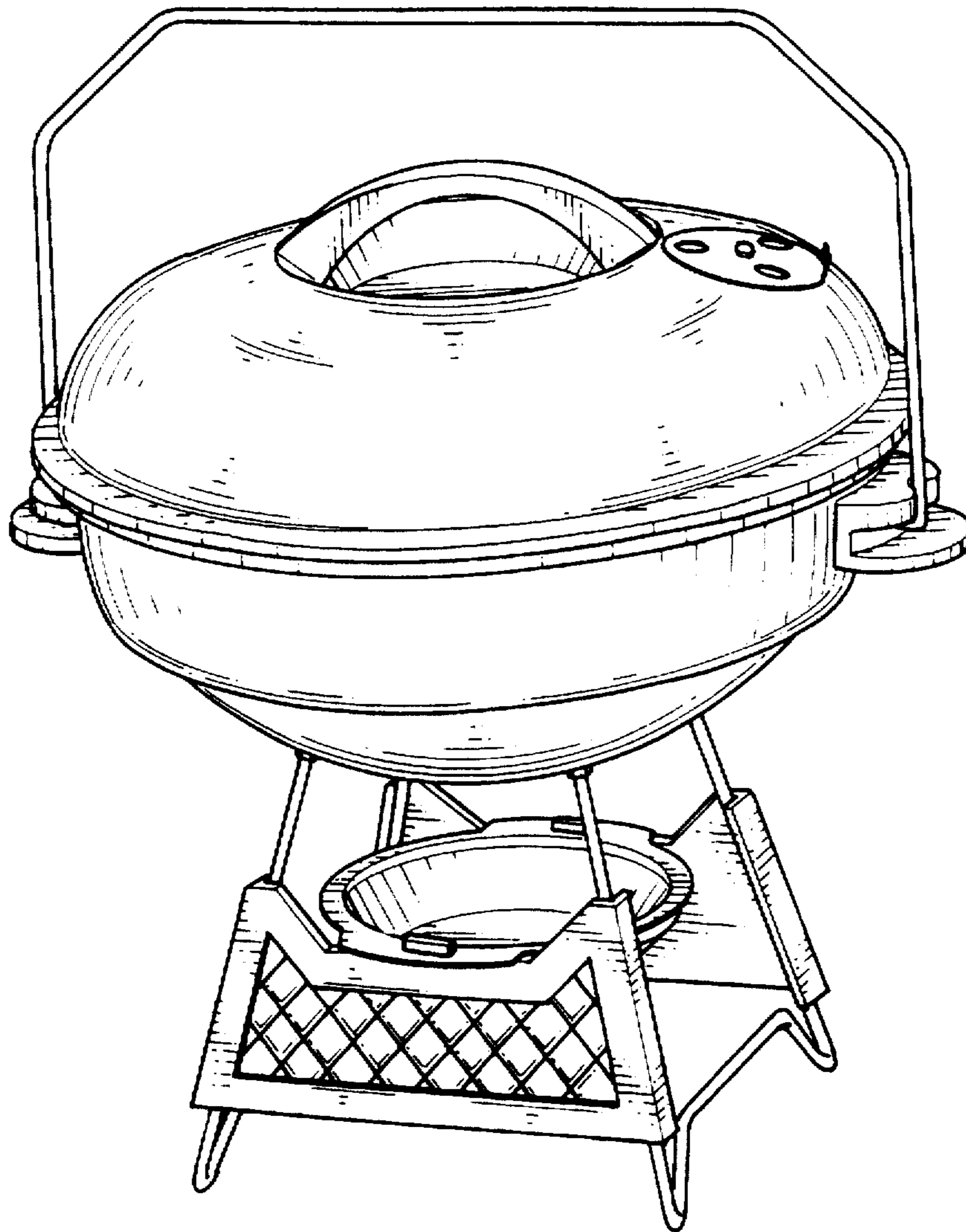


FIG. 1

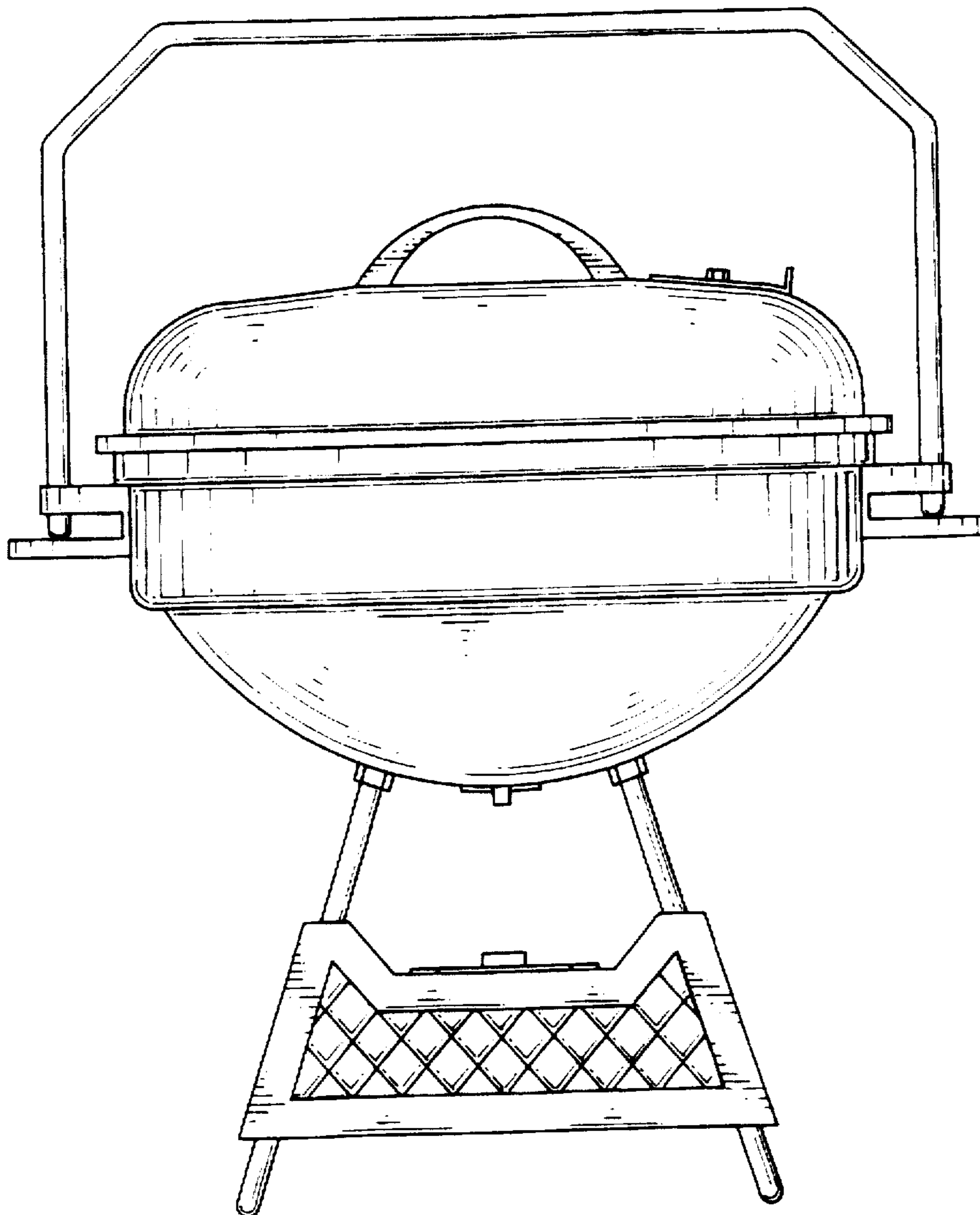


FIG.2

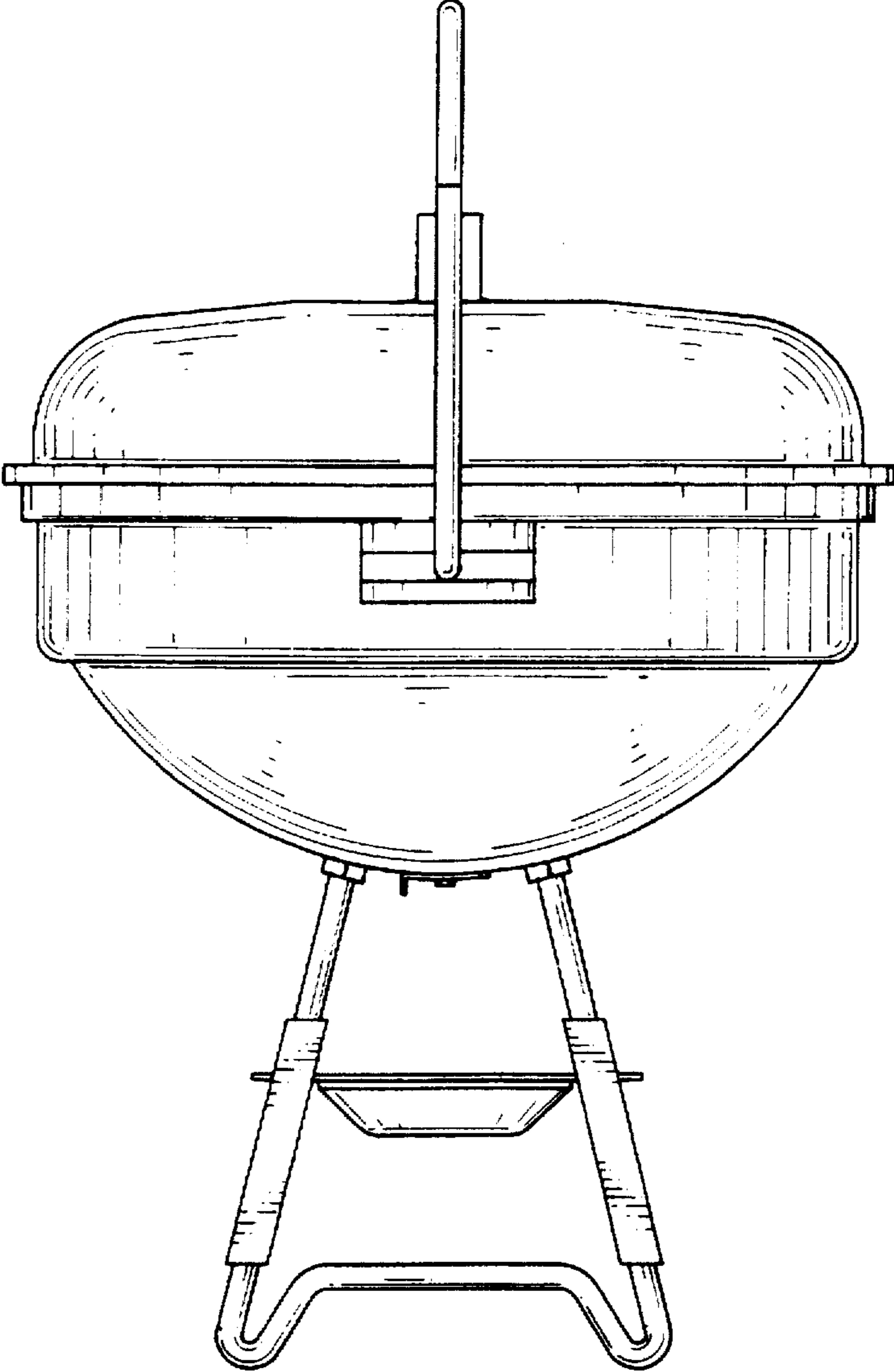


FIG. 3

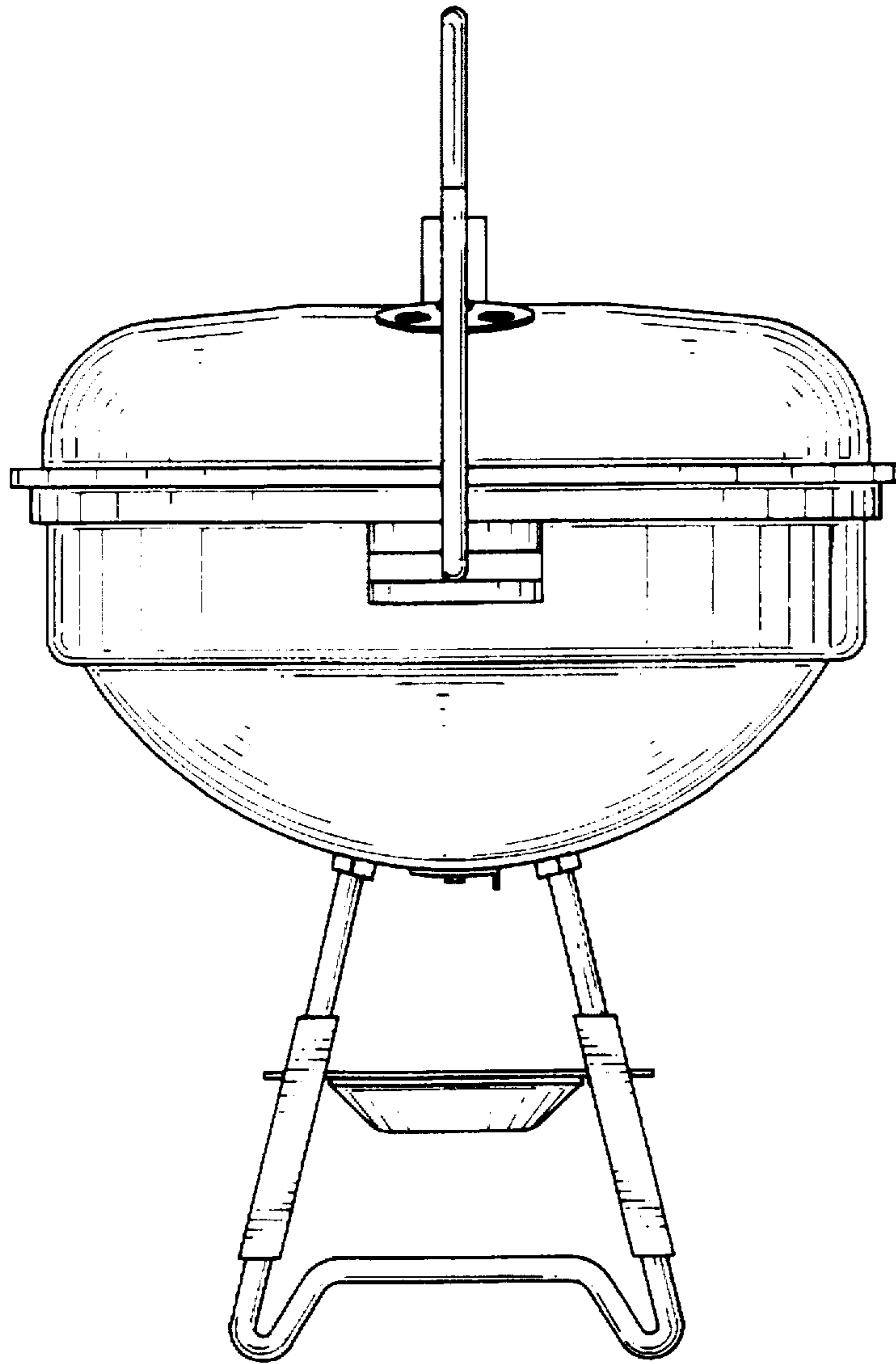


FIG. 4

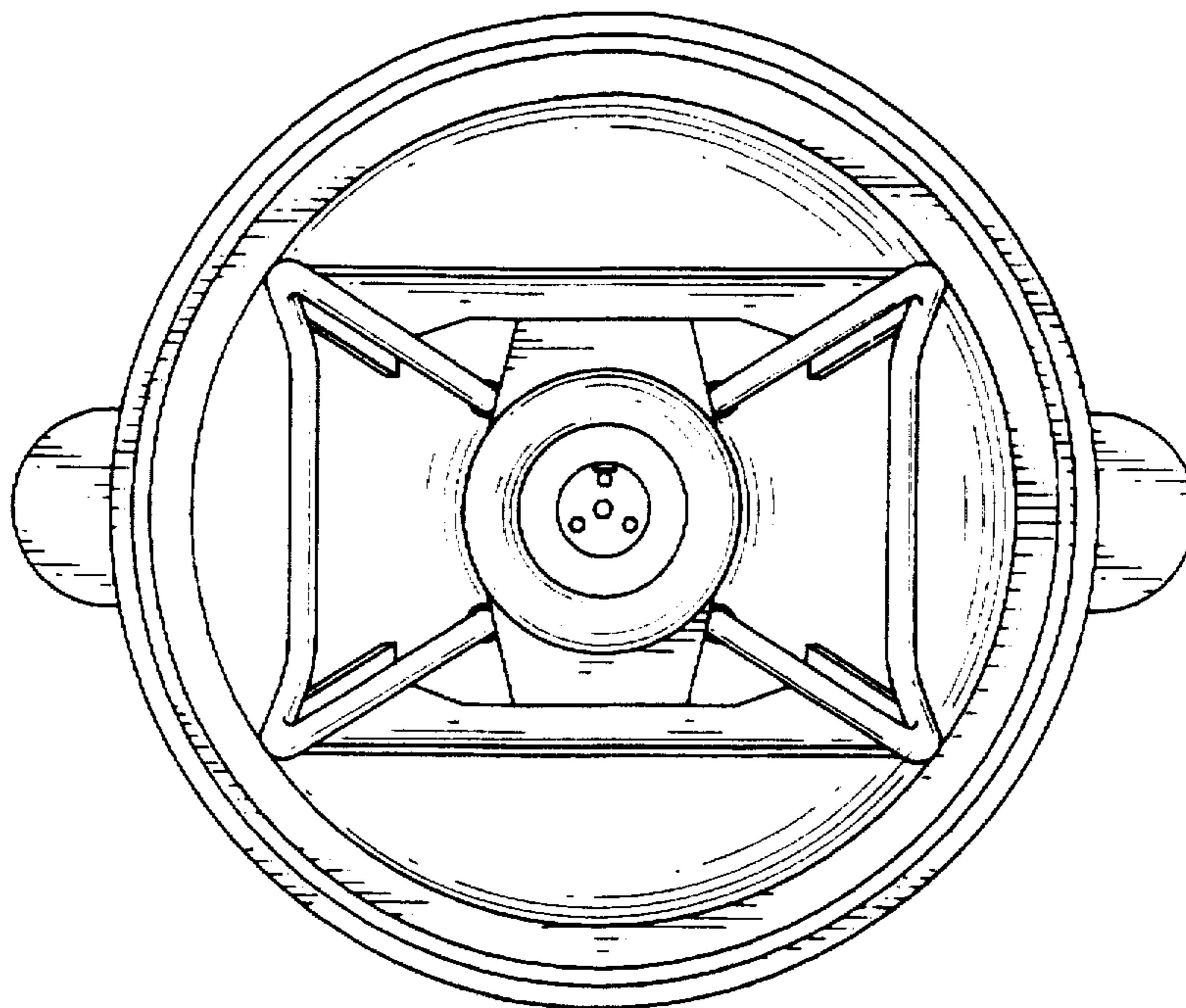


FIG. 6

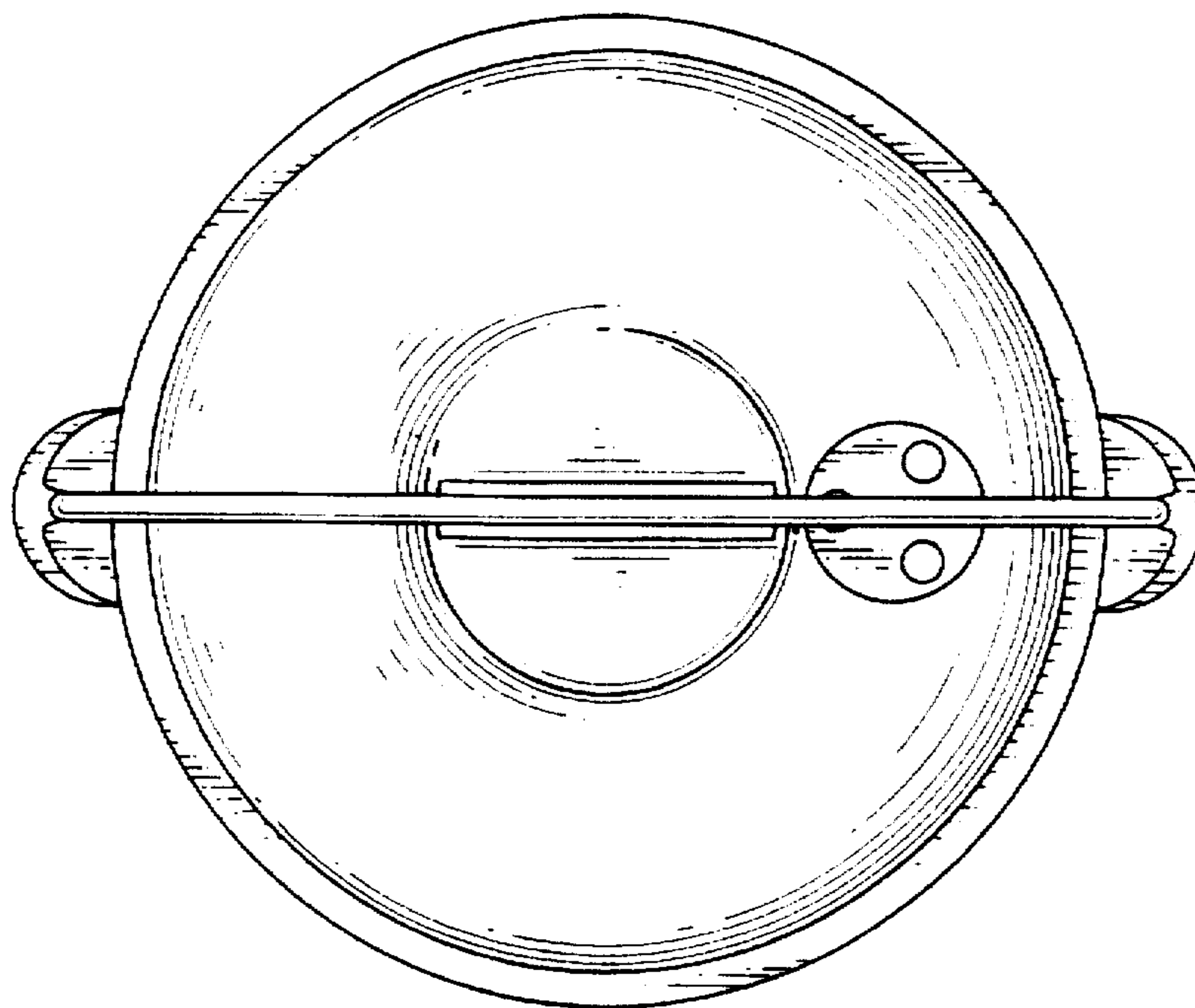


FIG. 5