



US00D395783S

United States Patent [19] Cautereels

[11] Patent Number: **Des. 395,783**
[45] Date of Patent: ****Jul. 7, 1998**

[54] CONTAINER WITH HANDLE
[75] Inventor: **Victor J. J. Cautereels, Ranst, Belgium**
[73] Assignee: **Dart Industries Inc., Orlando, Fla.**
[**] Term: **14 Years**

[21] Appl. No.: **68,764**
[22] Filed: **Apr. 3, 1997**

[51] LOC (6) Cl. **07-01**
[52] U.S. Cl. **D7/318; D7/533; D7/511**
[58] Field of Search **D7/300, 302, 303, D7/312, 316, 317, 318, 319, 321, 322, 598, 600, 605, 608, 510, 511, 533; D23/212, 213; 222/465.1, 475.1**

[56] **References Cited**

U.S. PATENT DOCUMENTS

194,112	8/1877	Sears	D7/316 X
D. 200,978	4/1965	Seltz	D7/318
D. 218,354	8/1970	Kiluchi	D7/317
D. 224,752	9/1972	Bonzer	D7/317
D. 229,012	11/1973	Wooters	D7/317
D. 248,917	8/1978	Kiluchi	D7/608 X
D. 262,855	2/1982	Morin	D7/317 X
D. 263,783	4/1982	Okazaki et al.	D7/317
D. 264,926	6/1982	McClelland	D7/317
D. 267,545	1/1983	Mineo	
D. 268,726	4/1983	Trombly	D7/317
D. 323,758	2/1992	Hoelterscheidt	
D. 326,978	6/1992	Zimmermann	D7/317
D. 337,689	7/1993	Tardif	D7/317
D. 338,367	8/1993	Fonville	D7/317

D. 338,591	8/1993	Wyatt et al.	D7/317 X
D. 347,962	6/1994	Tardif	
D. 359,196	6/1995	Nichols	
D. 363,414	10/1995	Goto et al.	D7/533
D. 363,641	10/1995	Goto et al.	D7/533 X
D. 376,065	12/1996	Ito et al.	D7/317 X
1,586,020	5/1926	Witherspoon	
2,384,718	9/1945	Witherspoon	
3,807,594	4/1974	Zimmerman et al.	
3,844,450	10/1974	Johnson	D7/608 X
4,492,323	1/1985	Essen	D7/317 X

OTHER PUBLICATIONS

Water Boy vacuum jug. p.5. May 1936.

Primary Examiner—M. N. Pandozzi
Attorney, Agent, or Firm—John A. Doninger

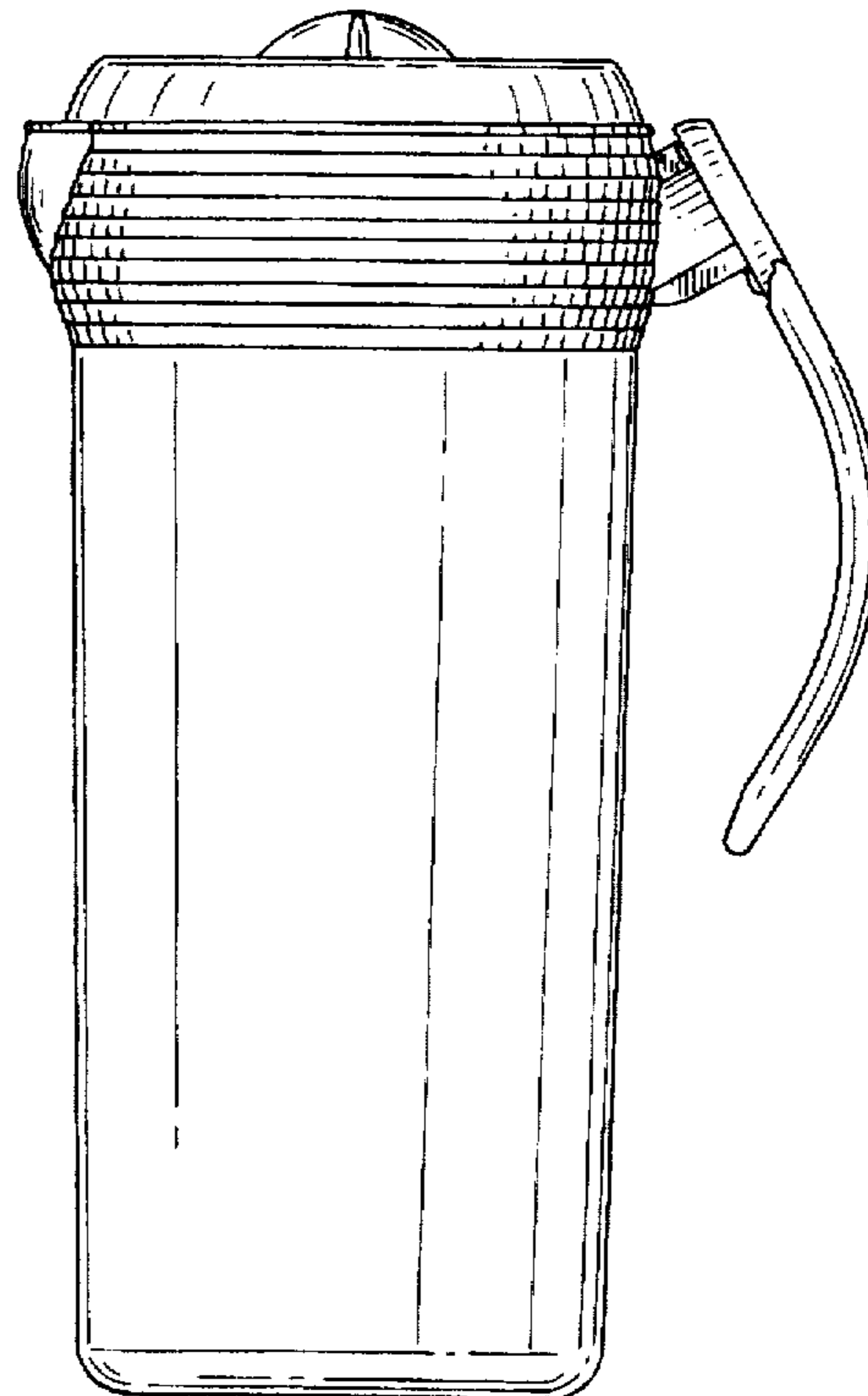
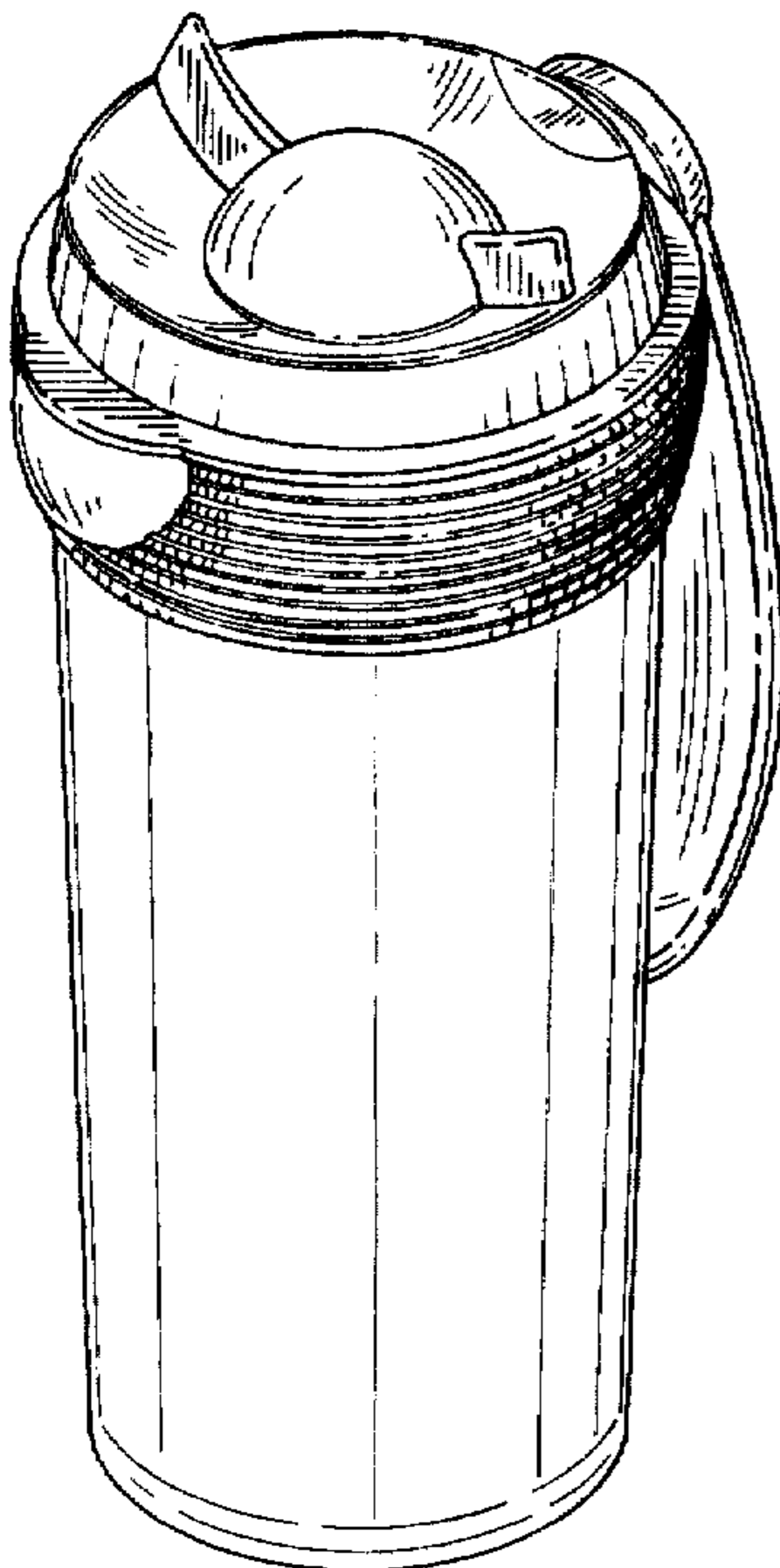
[57] **CLAIM**

The ornamental design for a container with handle, as shown and described.

DESCRIPTION

FIG. 1 is a top, front and side perspective view of a container with handle showing my new design; FIG. 2 is a bottom plan view thereof; FIG. 3 is a top plan view thereof; FIG. 4 is a front elevation view thereof; FIG. 5 is a rear elevation view thereof; FIG. 6 is a right side view thereof; FIG. 7 is left a side view thereof; and, FIG. 8 is a top, rear, and side perspective view thereof with the handle in an alternate position.

1 Claim, 5 Drawing Sheets



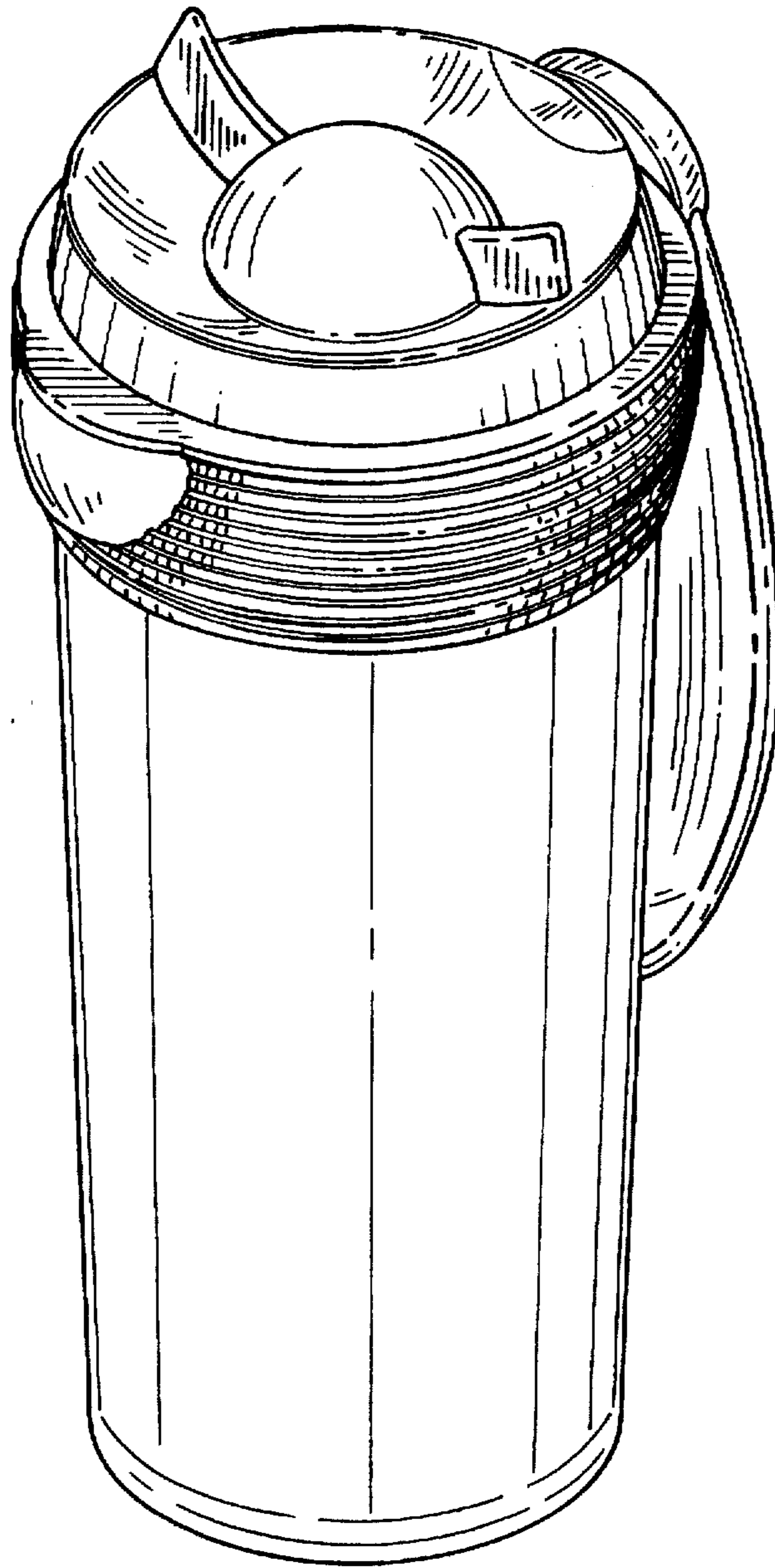


FIG. 1

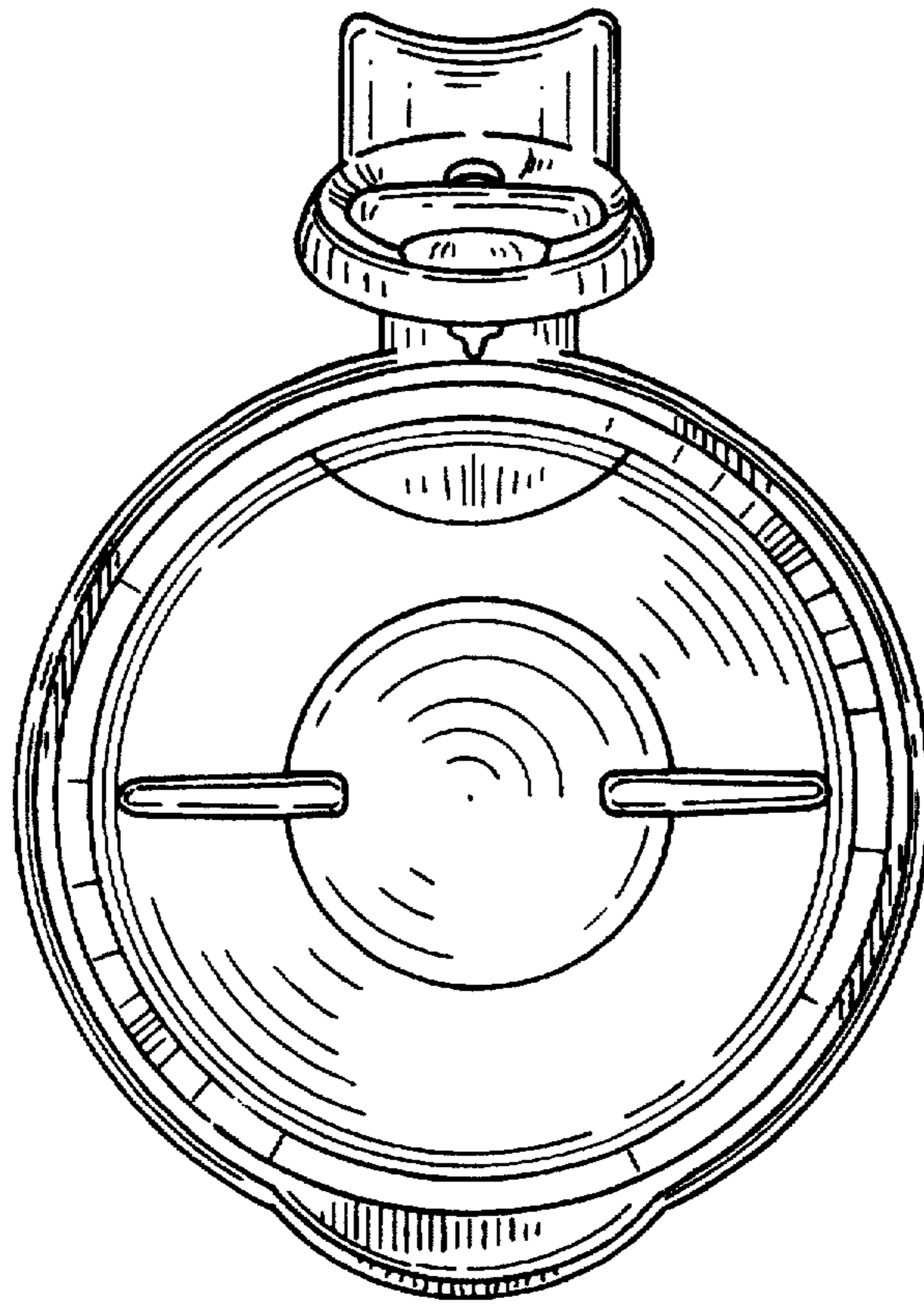


FIG. 3

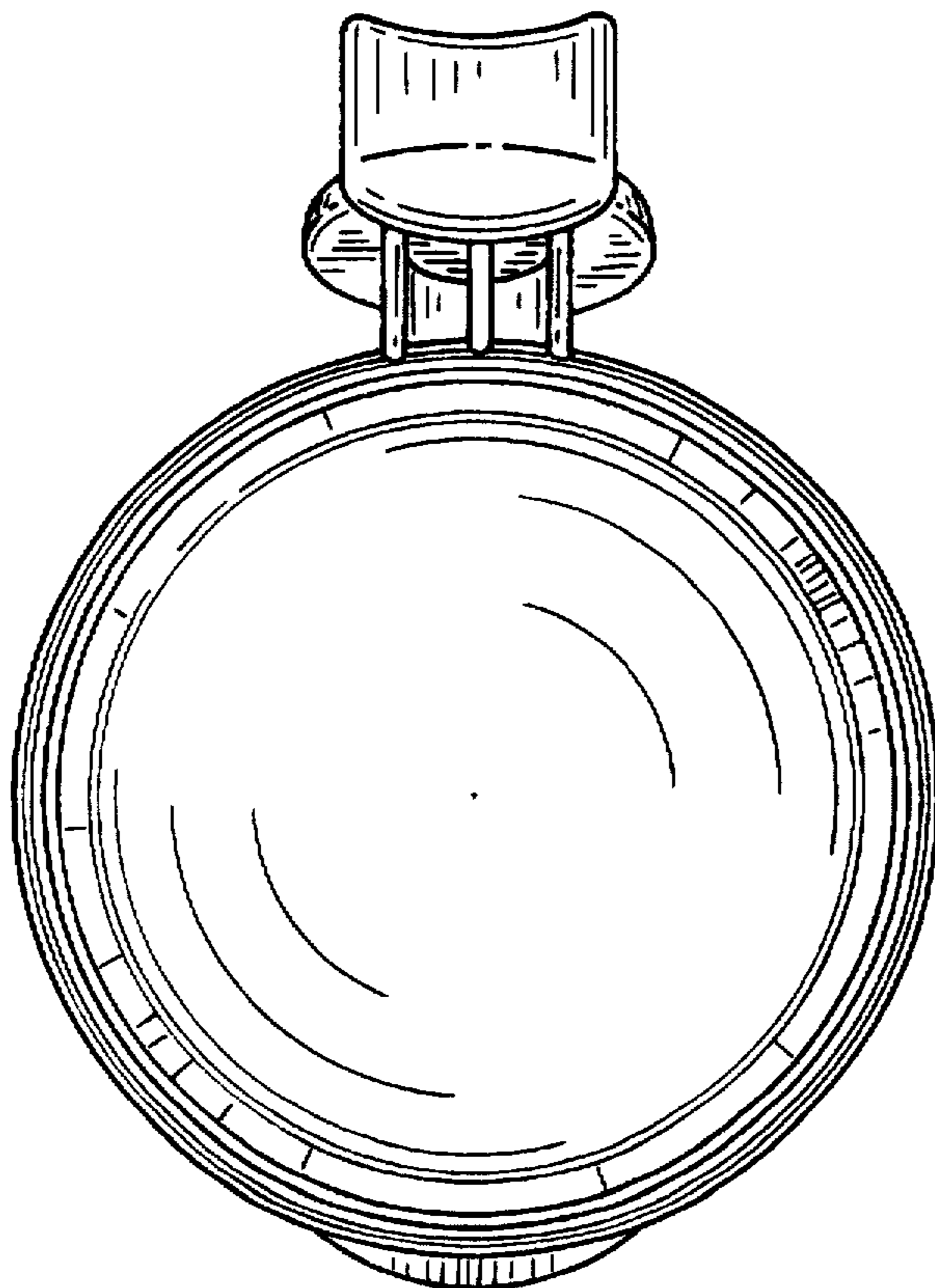
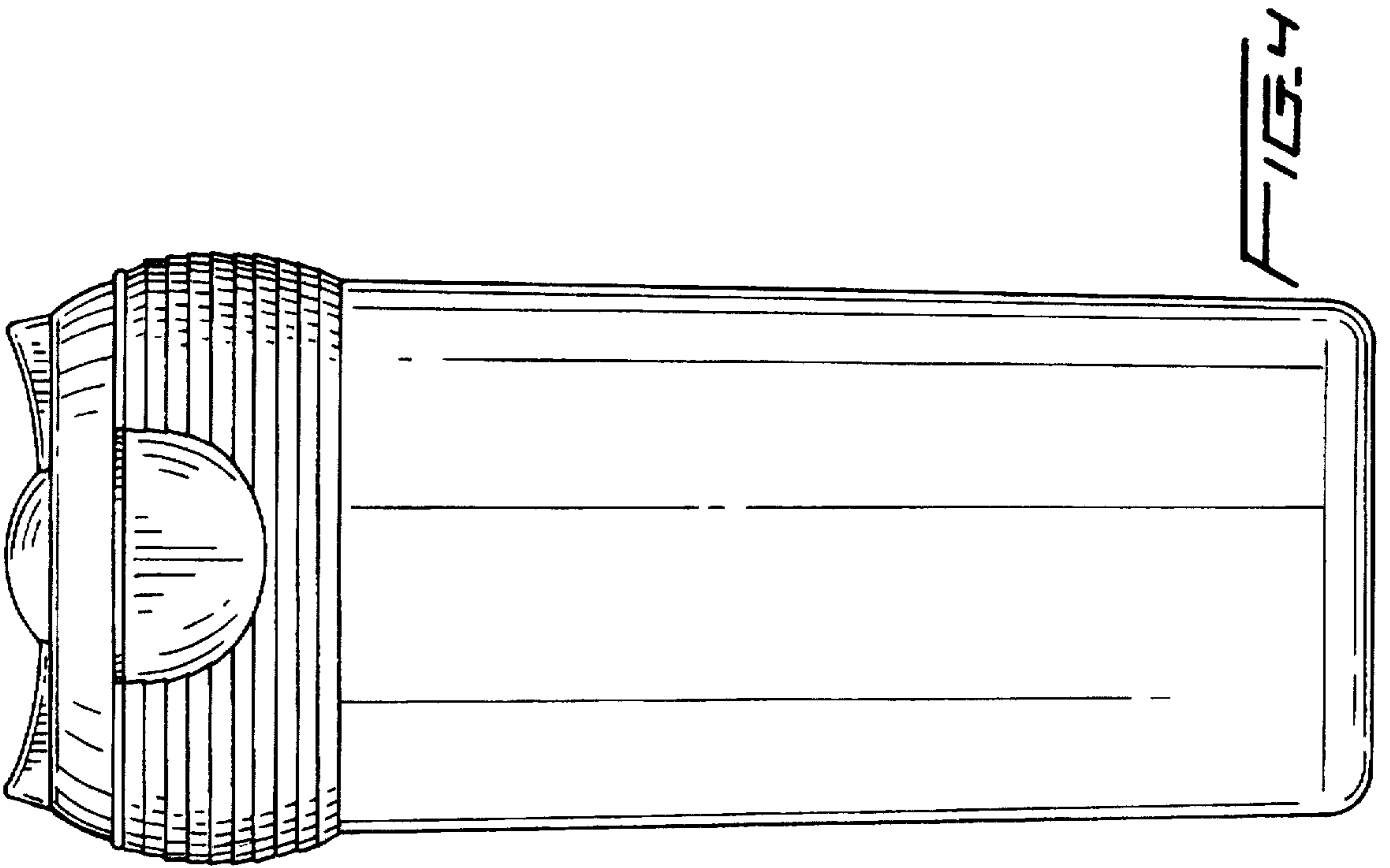
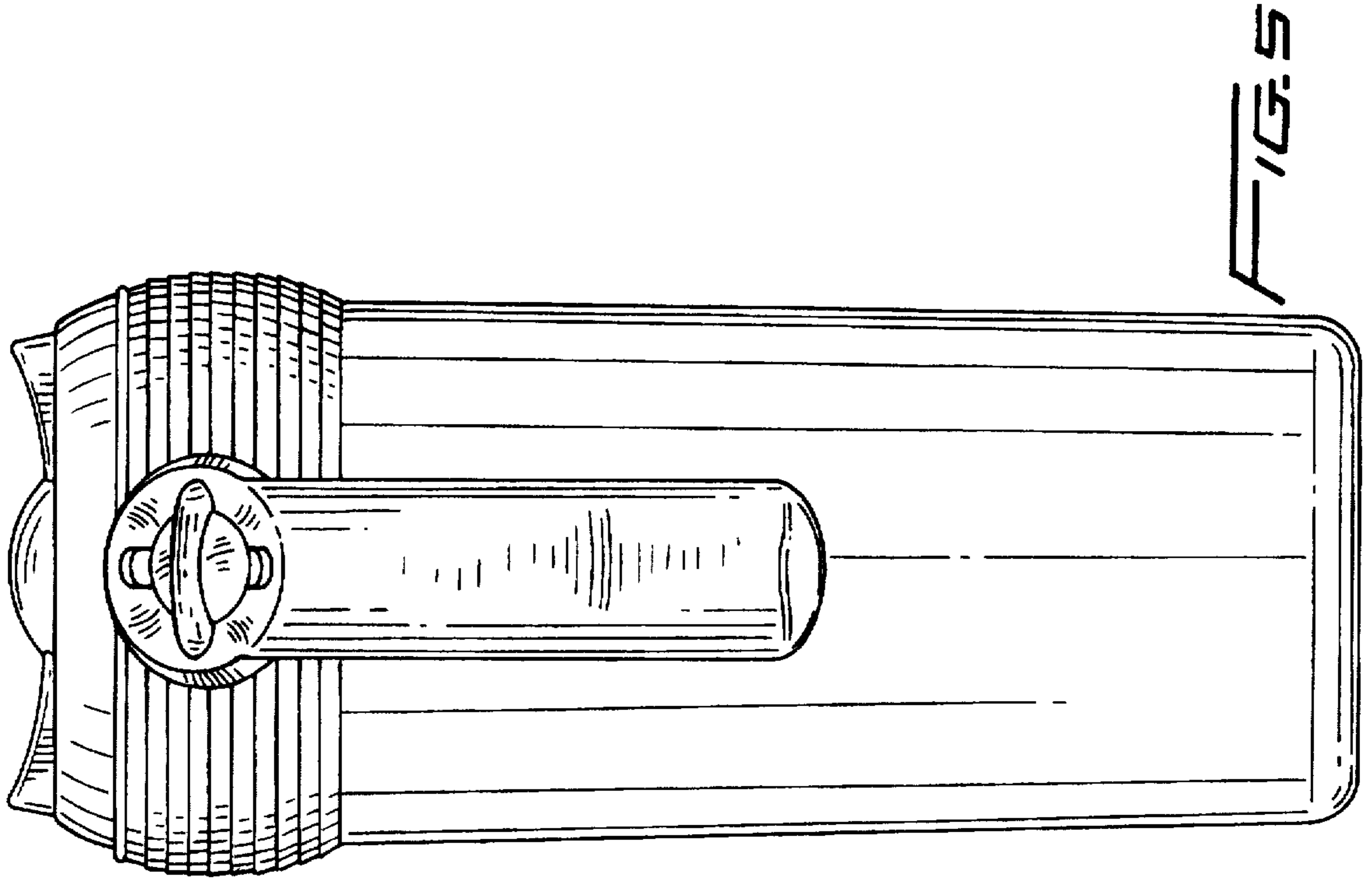
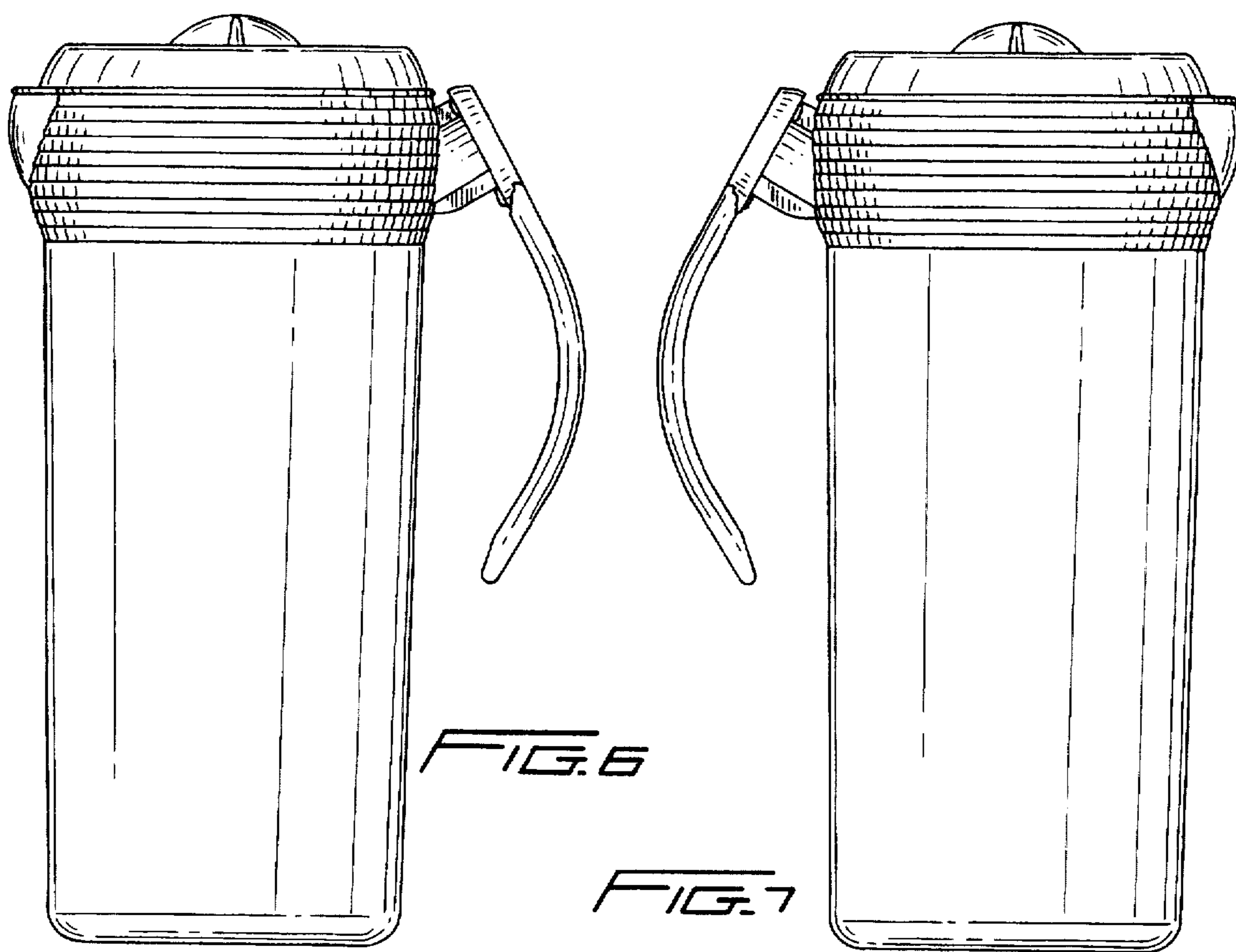


FIG. 2





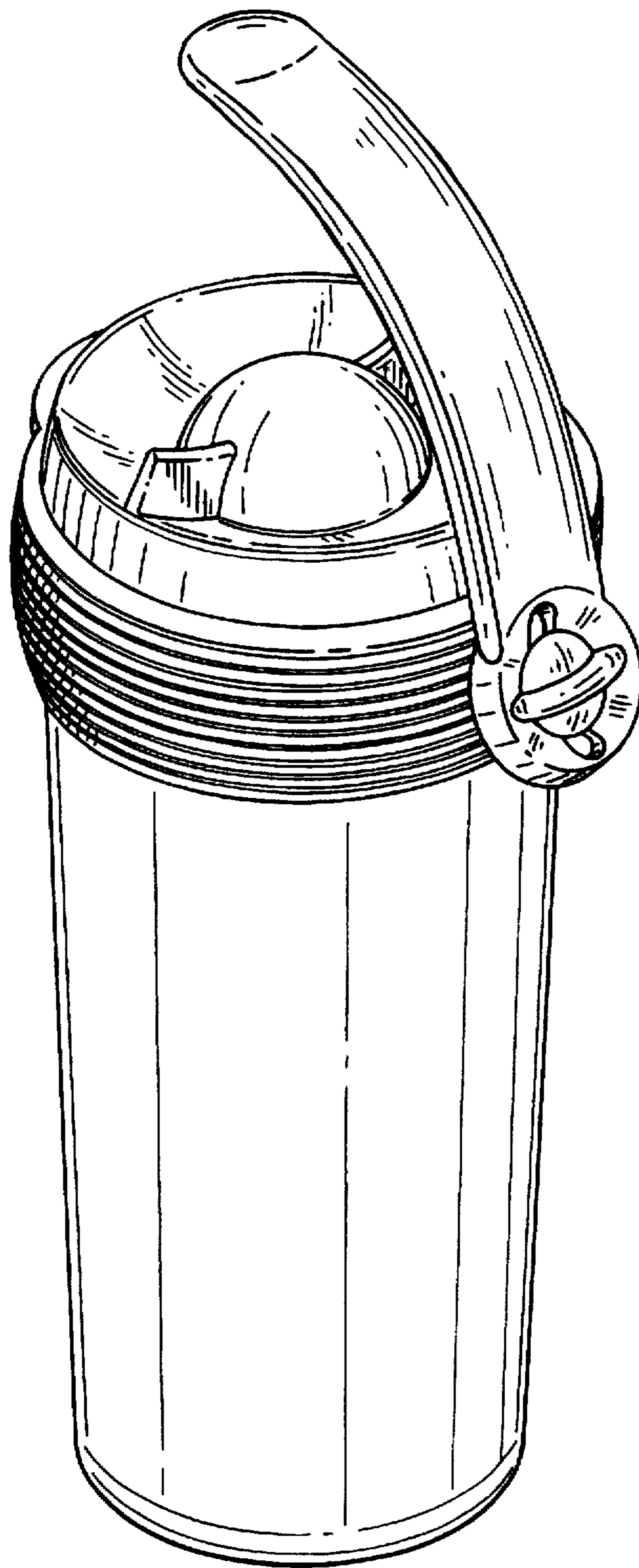


FIG. 8