

US00D395774S

United States Patent [19]

Phillips et al.

[11] Patent Number: **Des. 395,774**

[45] Date of Patent: ****Jul. 7, 1998**

[54] **1 GALLON SOAP DISPENSER**

D. 342,177 12/1993 Hanna et al. D6/545

[75] Inventors: **Brian Phillips**, Joliet; **Eric Wilmot**, Chicago; **John Kauzlarich**, Clarendon Hills, all of Ill.

Primary Examiner—Brian N. Vinson
Attorney, Agent, or Firm—Emrich & Dithmar

[73] Assignee: **Steiner Company, Inc.**, Chicago, Ill.

[57] **CLAIM**

[**] Term: **14 Years**

The ornamental design for the 1 gallon soap dispenser, as shown and described.

[21] Appl. No.: **76,666**

DESCRIPTION

[22] Filed: **Sep. 12, 1997**

FIG. 1 is a perspective view of the soap dispenser illustrating our new invention;

[51] LOC (6) Cl. **07-07**

FIG. 2 is a front elevational view of the soap dispenser illustrated in FIG. 1;

[52] U.S. Cl. **D6/545**

FIG. 3 is a rear elevational view of the soap dispenser illustrated in FIG. 1;

[58] Field of Search D6/542-545; 221/208, 221/282, 283; 222/105, 173, 180, 181.1, 630

FIG. 4 is a top elevational view of the dispenser illustrated in FIG. 1;

[56] **References Cited**

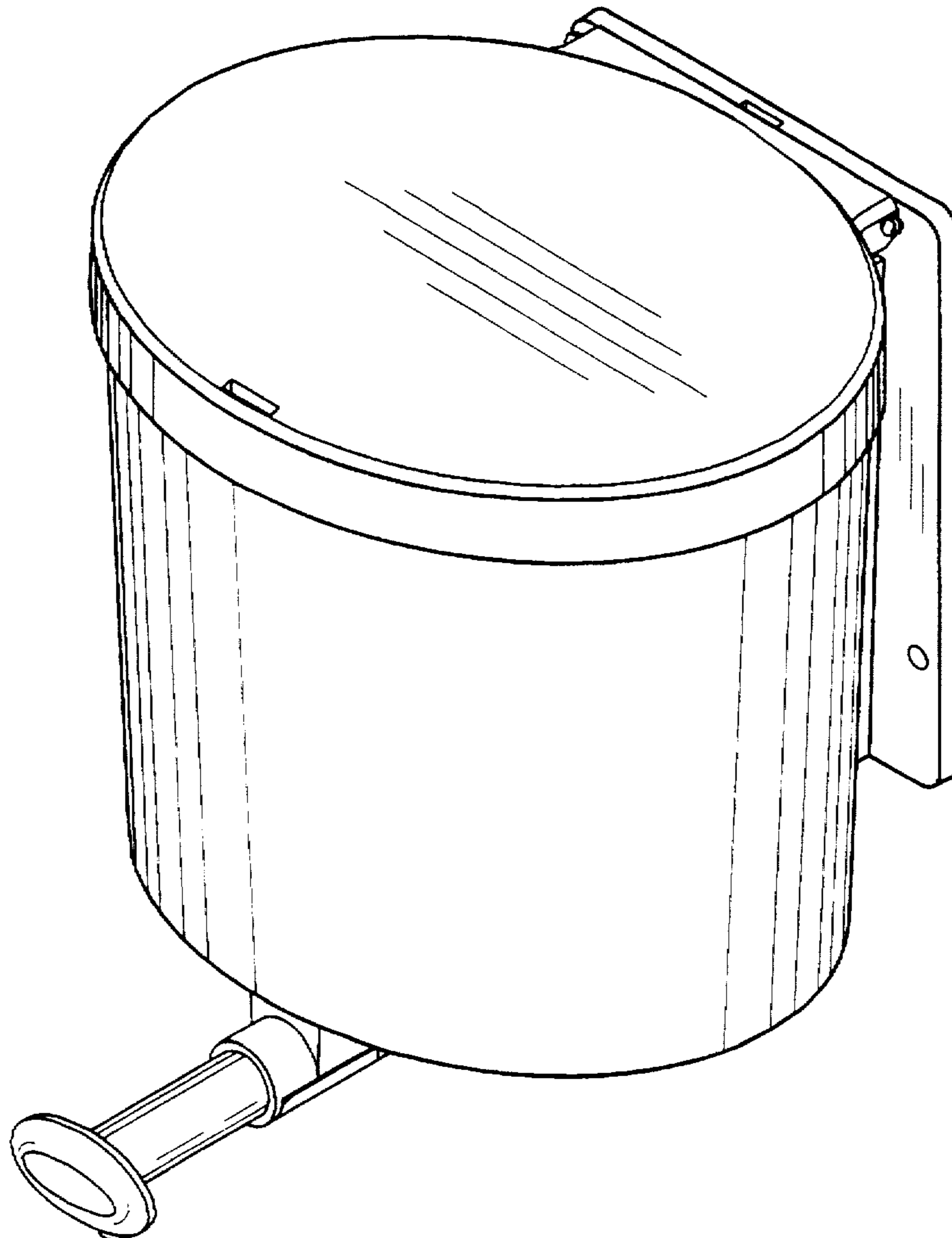
FIG. 5 is a bottom elevational view of the dispenser illustrated in FIG. 1; and,

U.S. PATENT DOCUMENTS

FIG. 6 is a side elevational view of the dispenser illustrated in FIG. 1.

- D. 293,402 12/1987 Petterson D6/545
- D. 340,605 10/1993 Feigenbaum D6/545

1 Claim, 6 Drawing Sheets



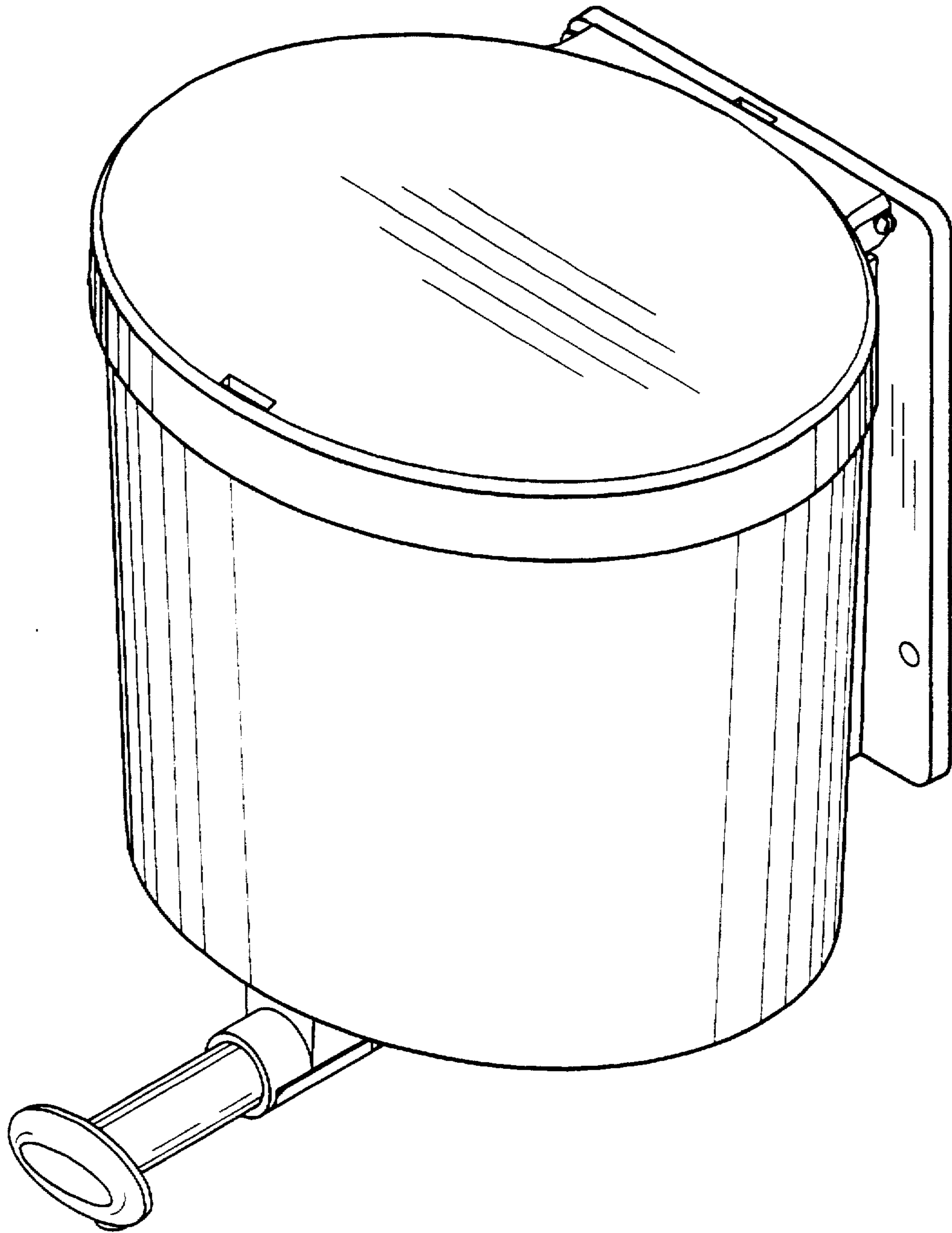


FIG. 1

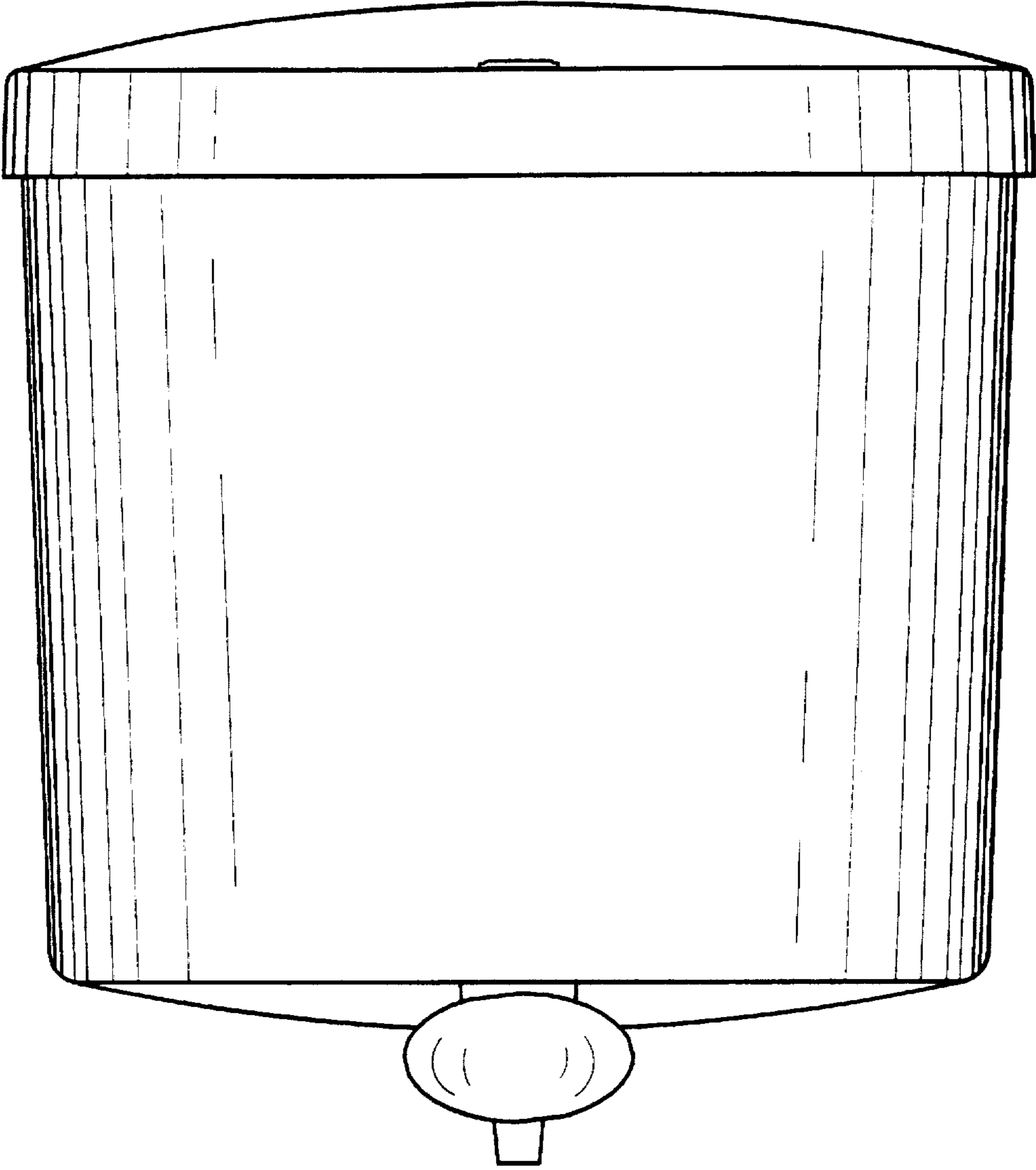


FIG. 2

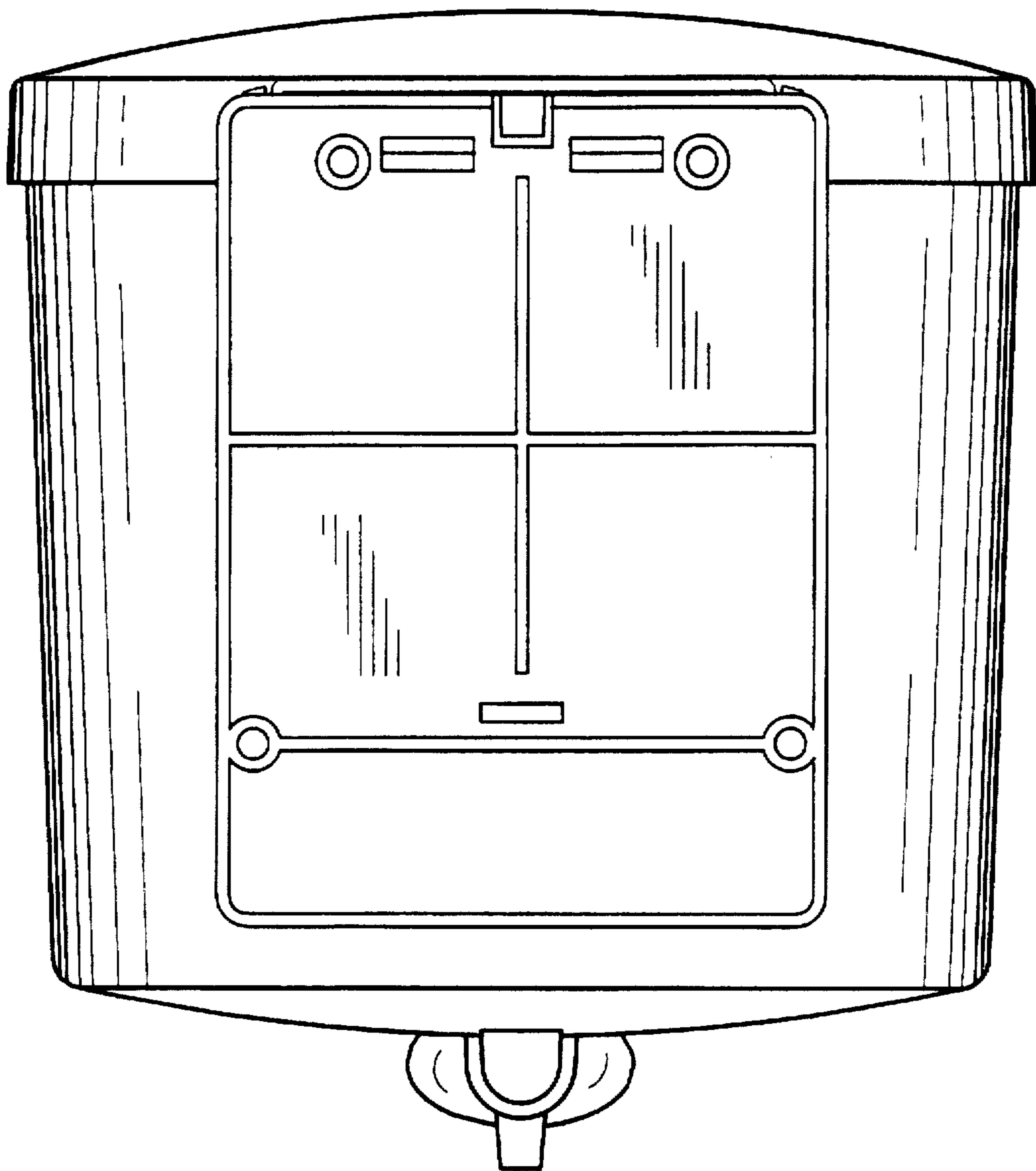


FIG. 3

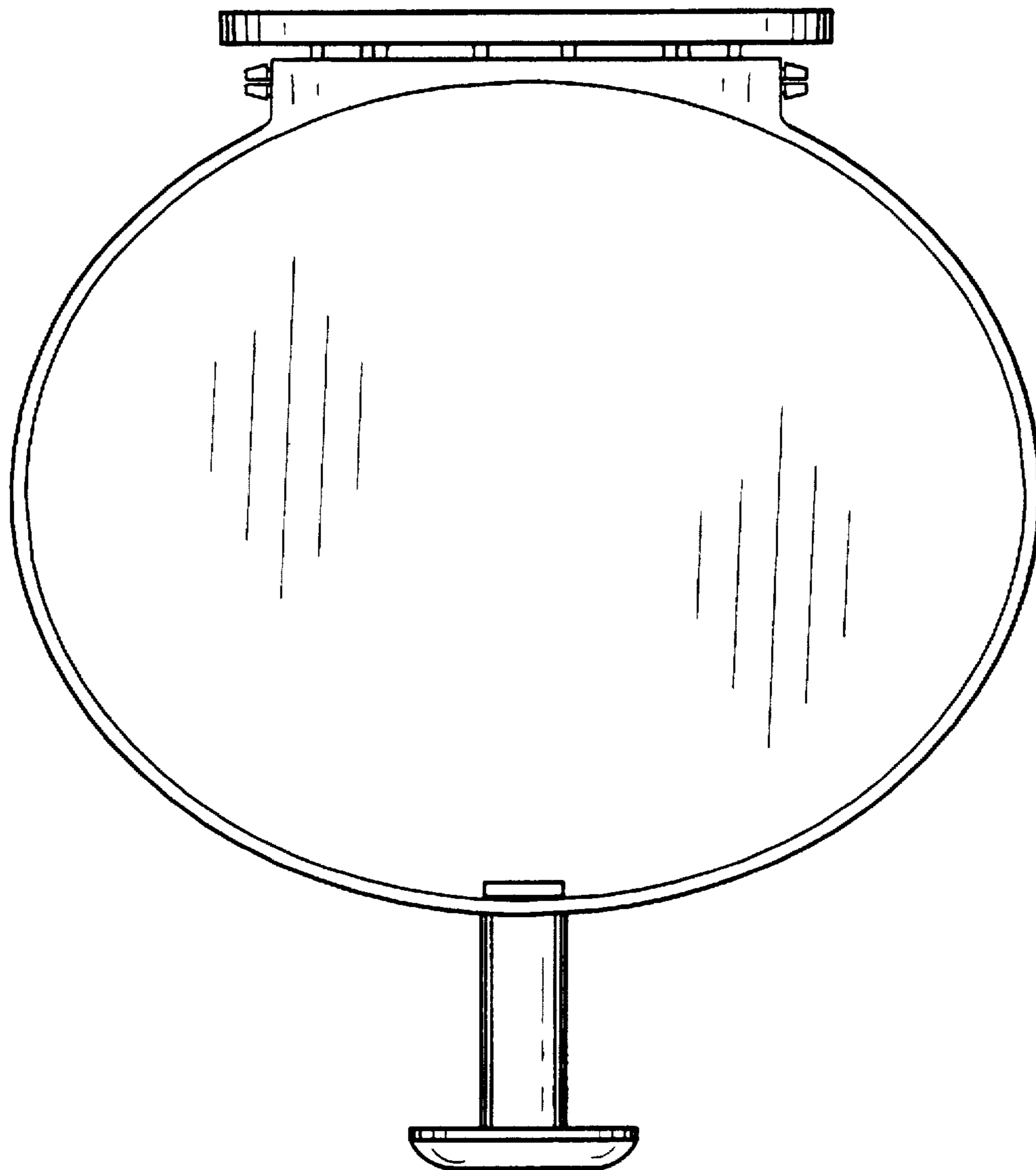


FIG. 4

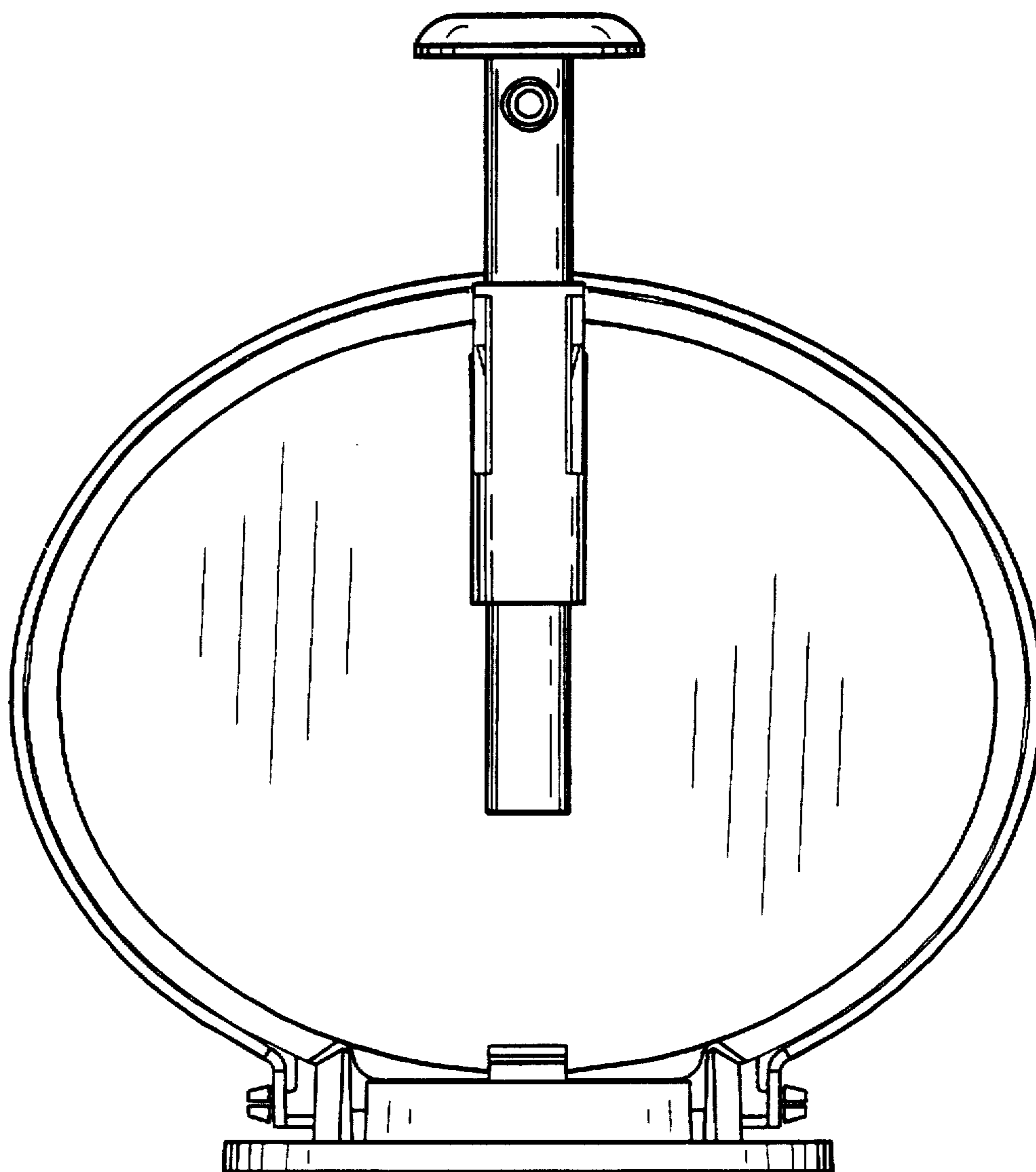


FIG. 5

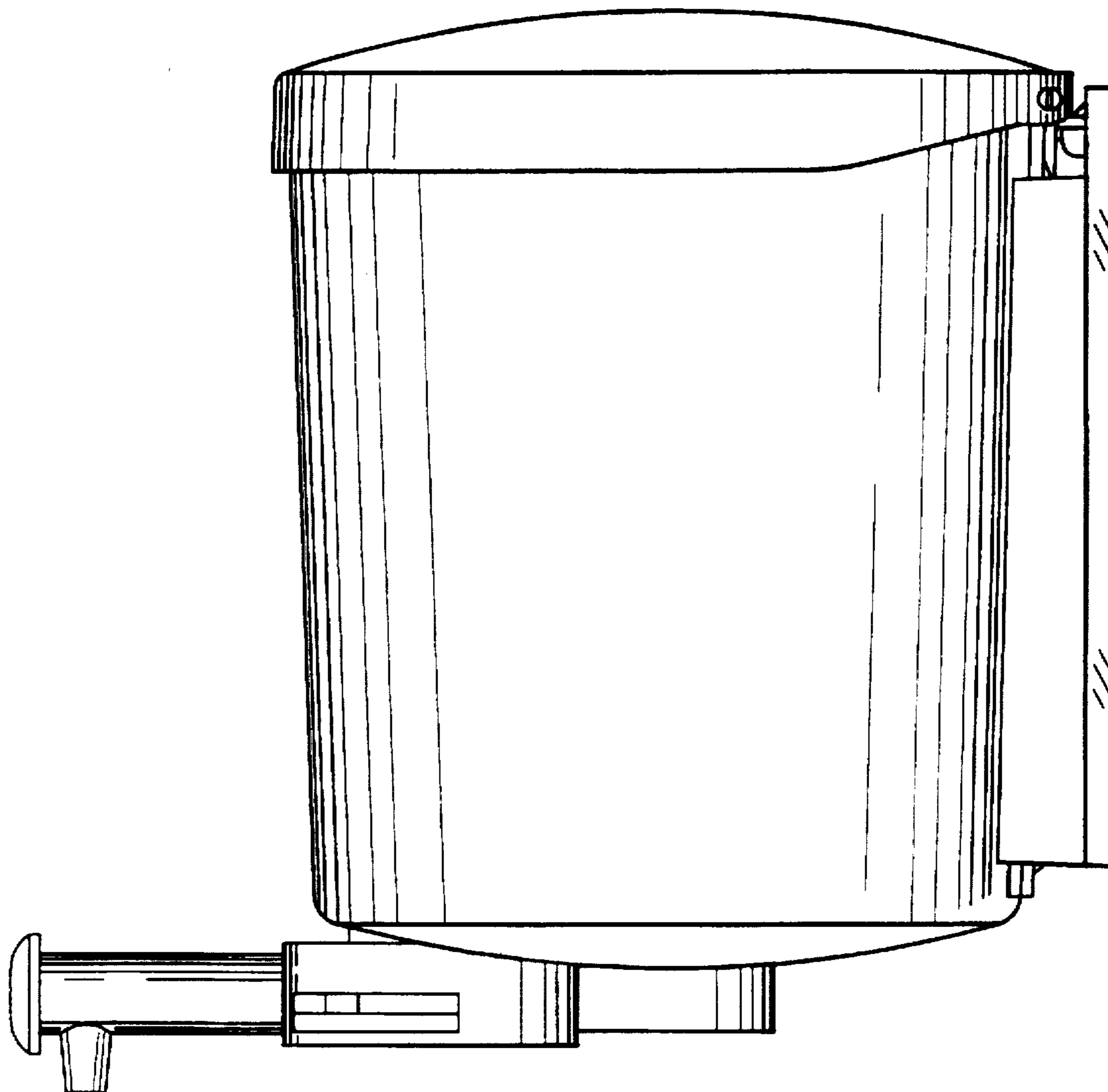


FIG. 6