



US00D395772S

United States Patent [19]

Malvasi

[11] Patent Number: **Des. 395,772**

[45] Date of Patent: ****Jul. 7, 1998**

[54] **RECREATIONAL TABLE**

[76] Inventor: **Giuseppe Malvasi**, Via Montegabberi #1, Viareggio LU, Italy, 55049

[**] Term: **14 Years**

[21] Appl. No.: **76,587**

[22] Filed: **Sep. 10, 1997**

[51] LOC (6) Cl. **06-03**

[52] U.S. Cl. **D6/480; D6/397**

[58] Field of Search D6/480-489, 429, D6/467, 469; 108/25, 50, 153, 156, 161; 446/71, 75, 118

[56] **References Cited**

U.S. PATENT DOCUMENTS

D. 216,713 3/1970 Buchwach D6/469

D. 281,178 10/1985 Brockenshire D6/484
D. 283,380 4/1986 Bakker et al. D6/455
D. 350,040 8/1994 Magnusson D6/484

Primary Examiner—Janice E. Seeger
Attorney, Agent, or Firm—Cislo & Thomas

[57] **CLAIM**

The ornamental design for a recreational table, as shown.

DESCRIPTION

FIG. 1 is a top perspective view of a recreational table, showing my new design;
FIG. 2 is a side view of the front;
FIG. 3 is a side view of the back;
FIG. 4 is a view of the left side;
FIG. 5 is a view of the right side; and,
FIG. 6 is a view of the bottom.

1 Claim, 6 Drawing Sheets

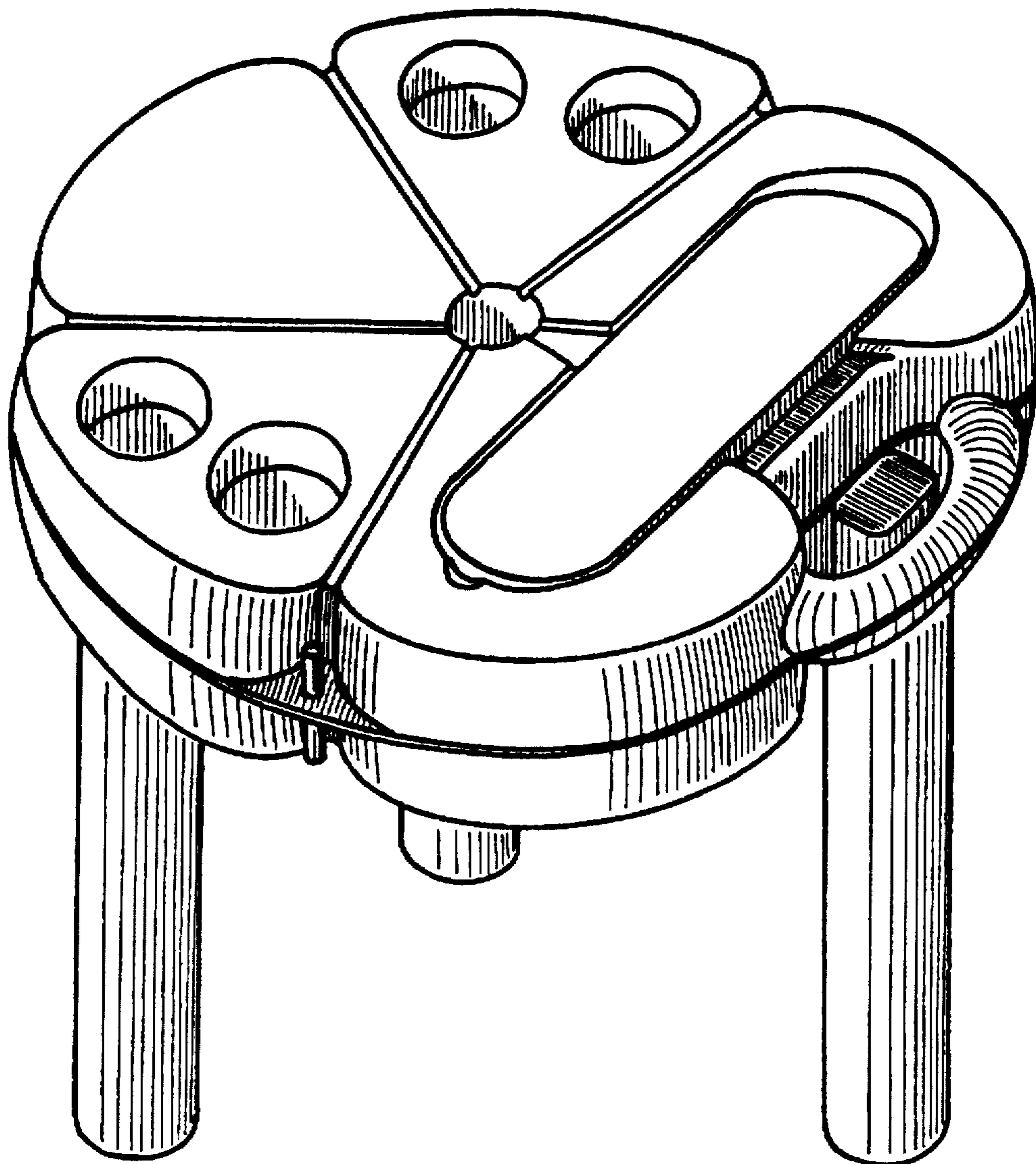


FIG. 1

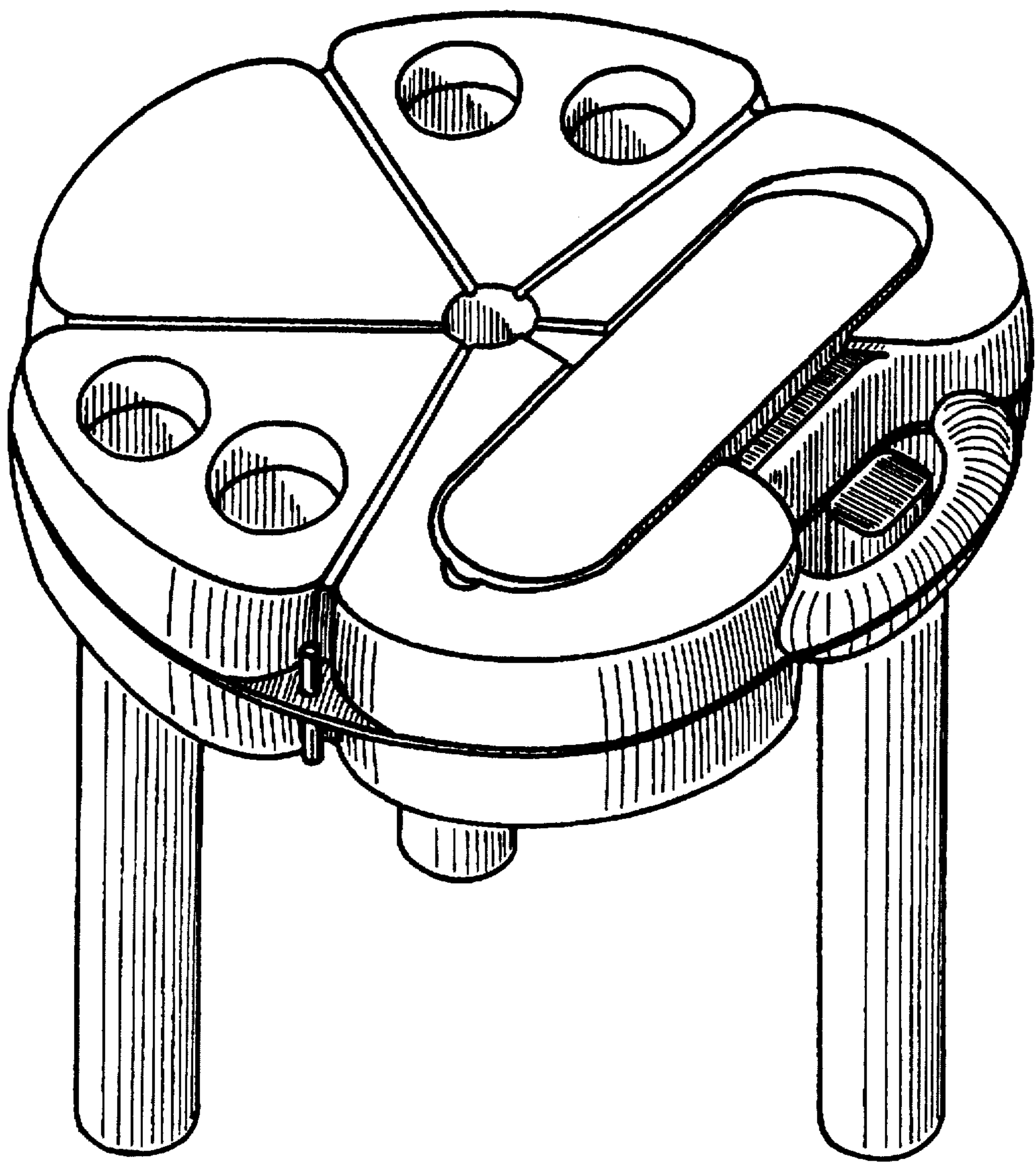


FIG. 2

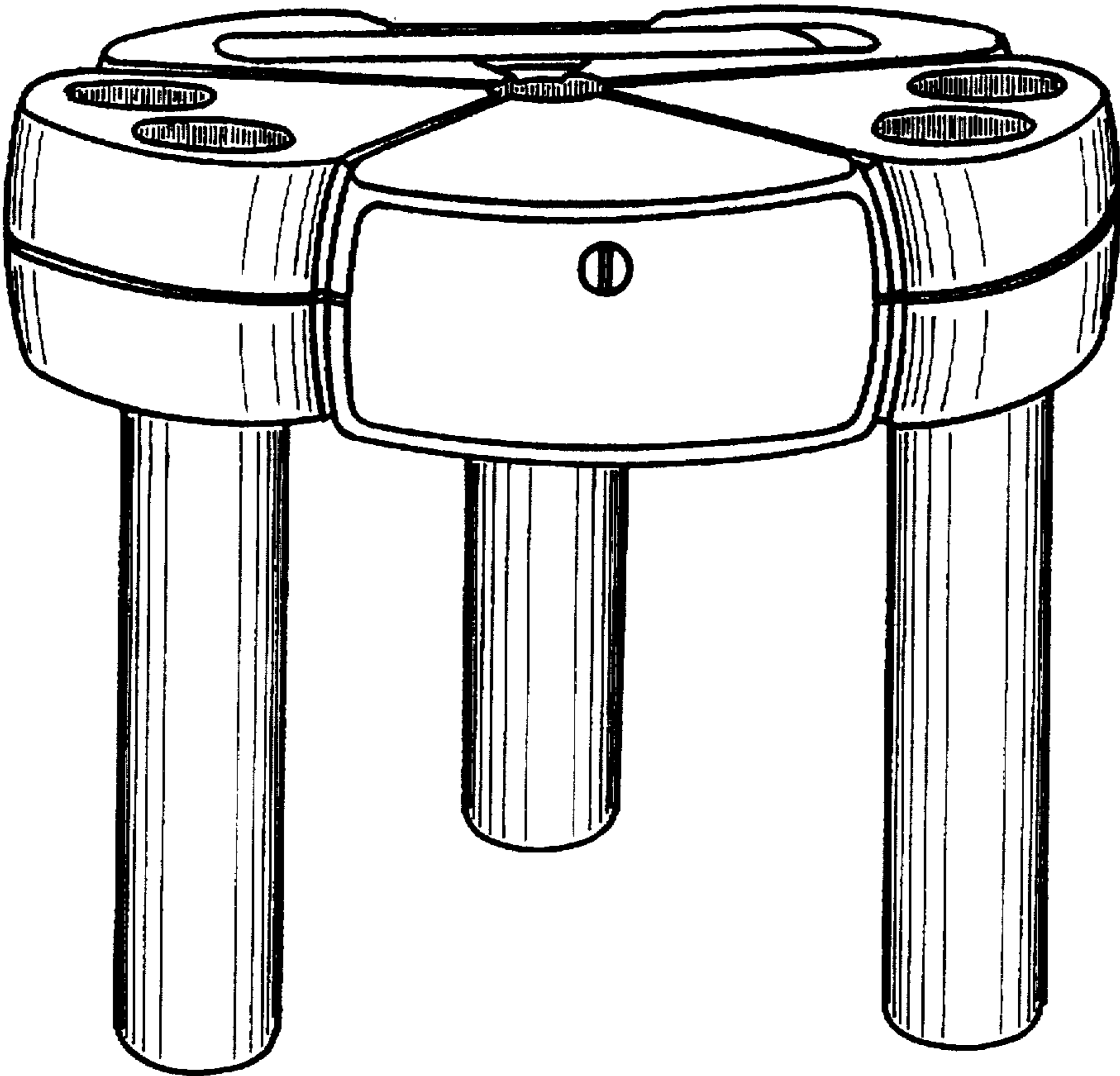


FIG. 3

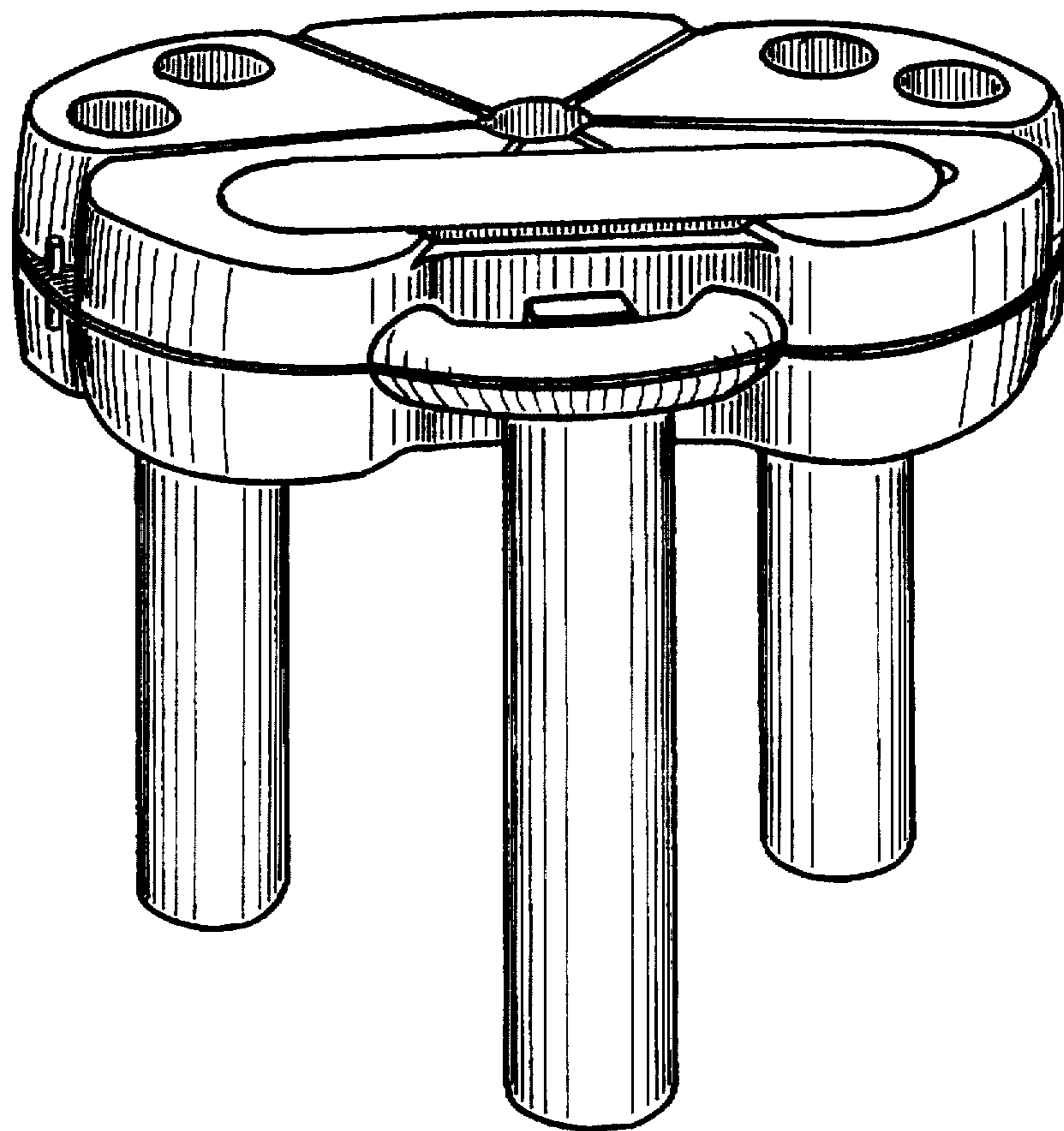


FIG. 4

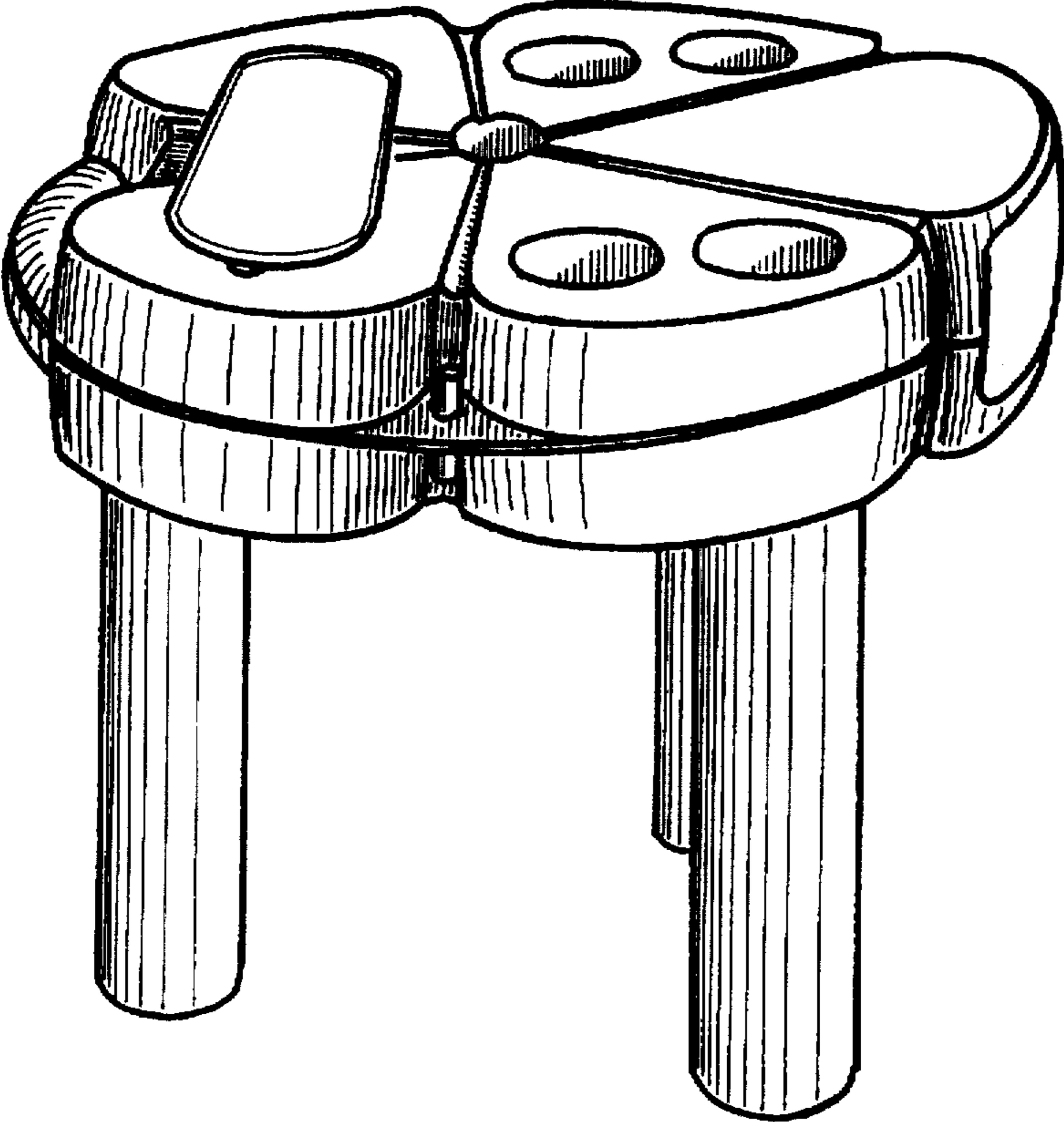


FIG. 5

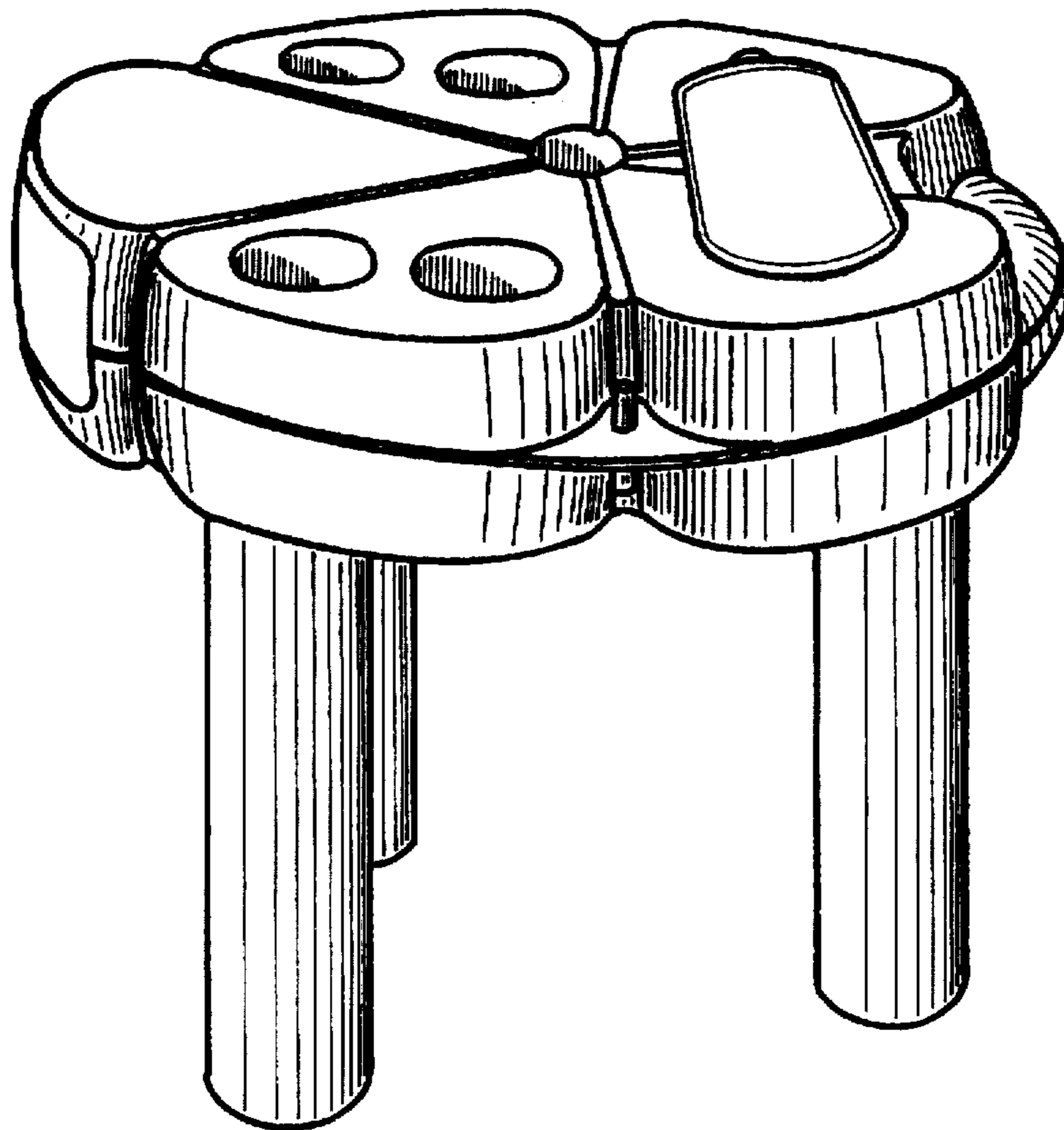


FIG. 6

