



US00D395768S

United States Patent [19] Greiner

[11] Patent Number: Des. 395,768
[45] Date of Patent: ***Jul. 7, 1998

[54] JEWELRY HOLDER
[76] Inventor: **Lori Greiner**, 1430 N. Astor St.,
Chicago, Ill. 60610
[*] Notice: The portion of the term of this patent
subsequent to Aug. 30, 2008, has been
disclaimed.
[**] Term: **14 Years**
[21] Appl. No.: **58,790**
[22] Filed: **Aug. 22, 1996**
[51] LOC (6) Cl. **06-04**
[52] U.S. Cl. **D6/436**
[58] Field of Search D6/396, 432-448,
D6/466-469; D3/903; 312/204; 211/13

5,067,617 11/1991 Caldwell et al. .
5,117,971 6/1992 Fisher .

OTHER PUBLICATIONS

Advertisement from "Home Organization," pp. 33-36 (date unknown).
Advertisement, "Ear-It-Is!," two pages (date unknown).
Advertisement, "Jewelry Rack," from Paragon Catalog Exclusive, one page (date known).
Advertisement, "Celestial Organizer," one page (date known).
Advertisement, "Heirloom Cherry' Jewelry Armoire," one page (date known).
Advertisement showing 6 jewelry boxes, one page (date known).
Hand drawing of a Jewelry Box, one page (date known).
Copy of a photograph of 3 jewelry boxes.

Primary Examiner—James Gandy
Assistant Examiner—Linda Brooks
Attorney, Agent, or Firm—Brinks Hofer Gilson & Lione

[56] References Cited

U.S. PATENT DOCUMENTS

D. 194,466	1/1963	Johnson	D3/903	X
D. 197,252	12/1963	Spears	D3/903	X
D. 277,340	1/1985	Christen	D3/903	X
D. 303,999	10/1989	Hansson	D3/903	X
D. 315,460	3/1991	Sorce, Jr.	D6/469	
540,206	5/1895	Brooks	.		
948,377	2/1910	Prouty	.		
2,760,647	8/1956	Saul, Jr.	.		
3,351,401	11/1967	Cohen	.		
3,847,458	11/1974	Nowak	.		
4,088,380	5/1978	Watts	.		
4,116,509	9/1978	Smith	.		
4,396,121	8/1983	Lemmon	.		
4,775,053	10/1988	Geiger	.		
4,819,814	4/1989	Fogelgren	.		

[57] CLAIM

The ornamental design for a jewelry holder, as shown.

DESCRIPTION

FIG. 1 is a perspective view of a jewelry holder showing my new design;
FIG. 2 is a front elevational view thereof;
FIG. 3 is a rear elevational view thereof;
FIG. 4 is a right side elevational view thereof;
FIG. 5 is a left side elevational view thereof;
FIG. 6 is a top plan view thereof; and,
FIG. 7 is a bottom plan view thereof.

1 Claim, 4 Drawing Sheets

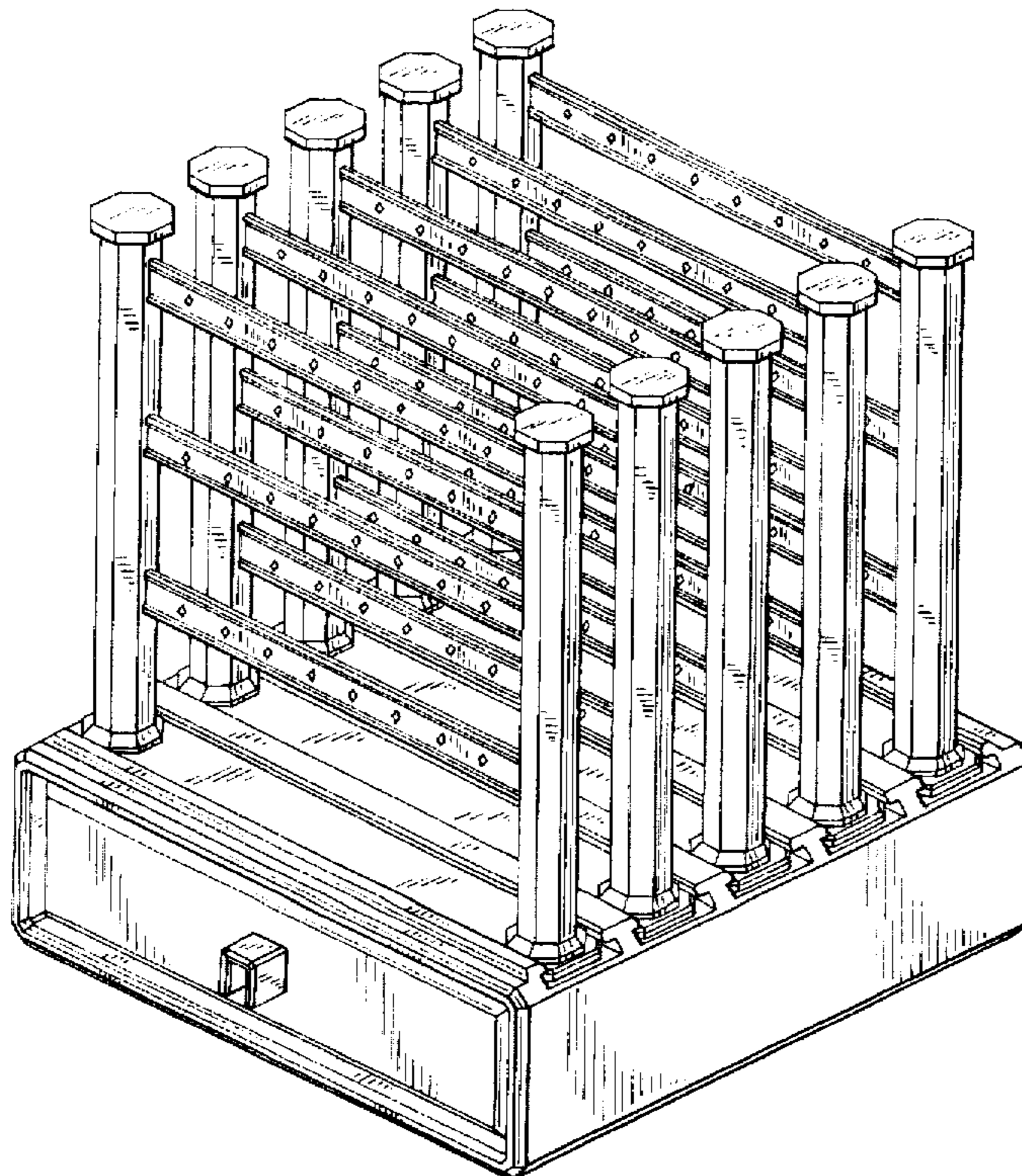


FIG. 1

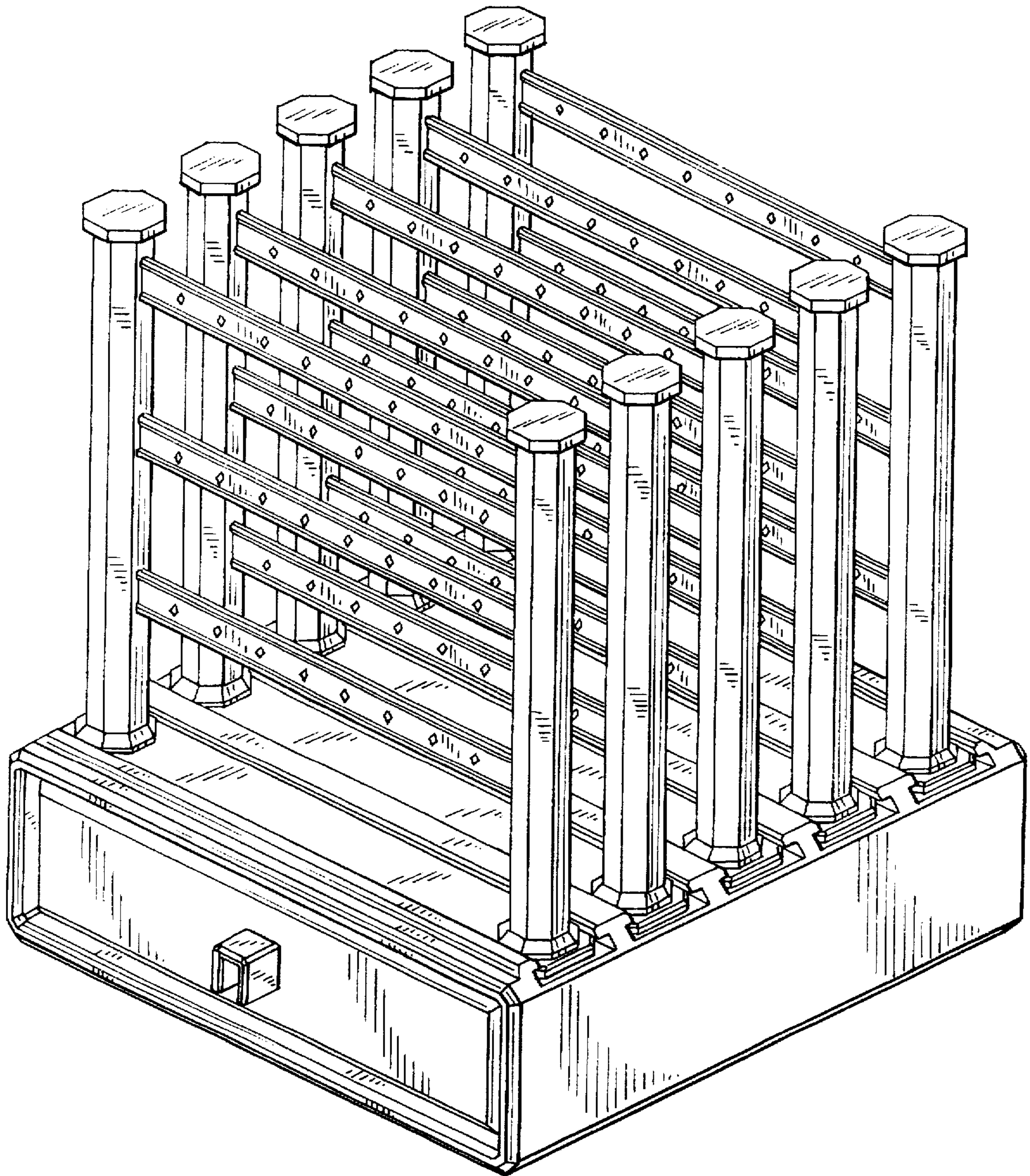


FIG. 3

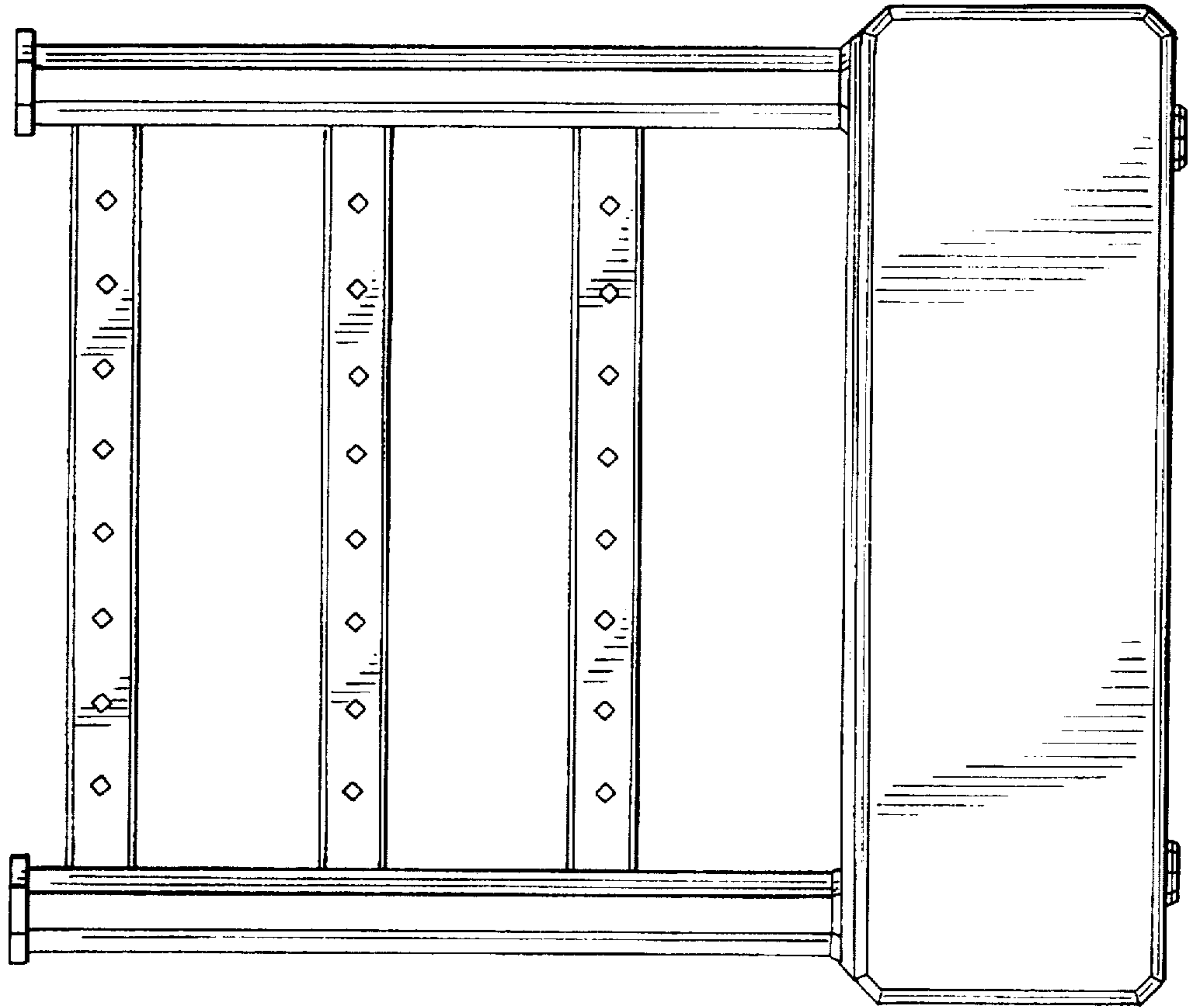


FIG. 2

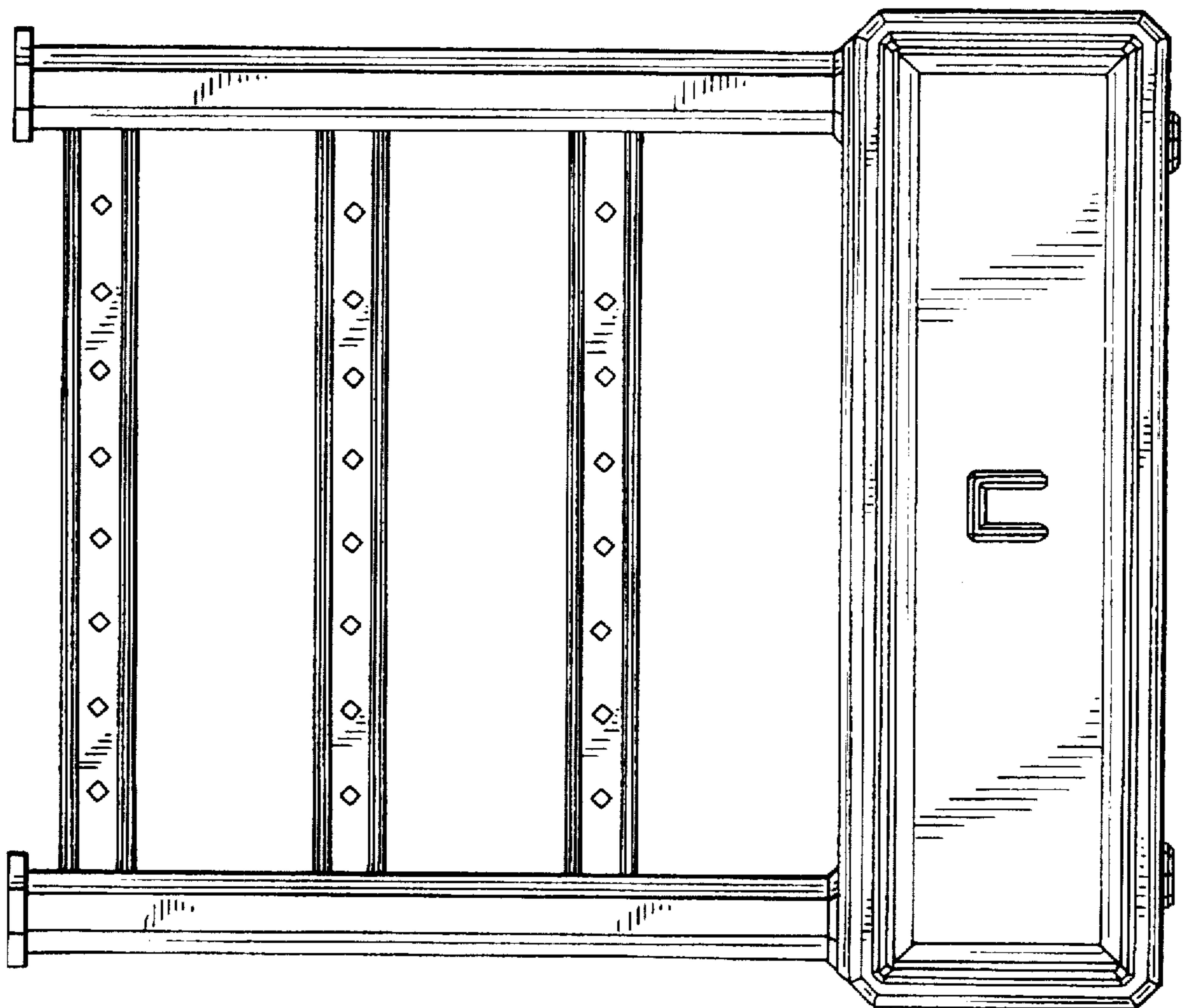


FIG. 5

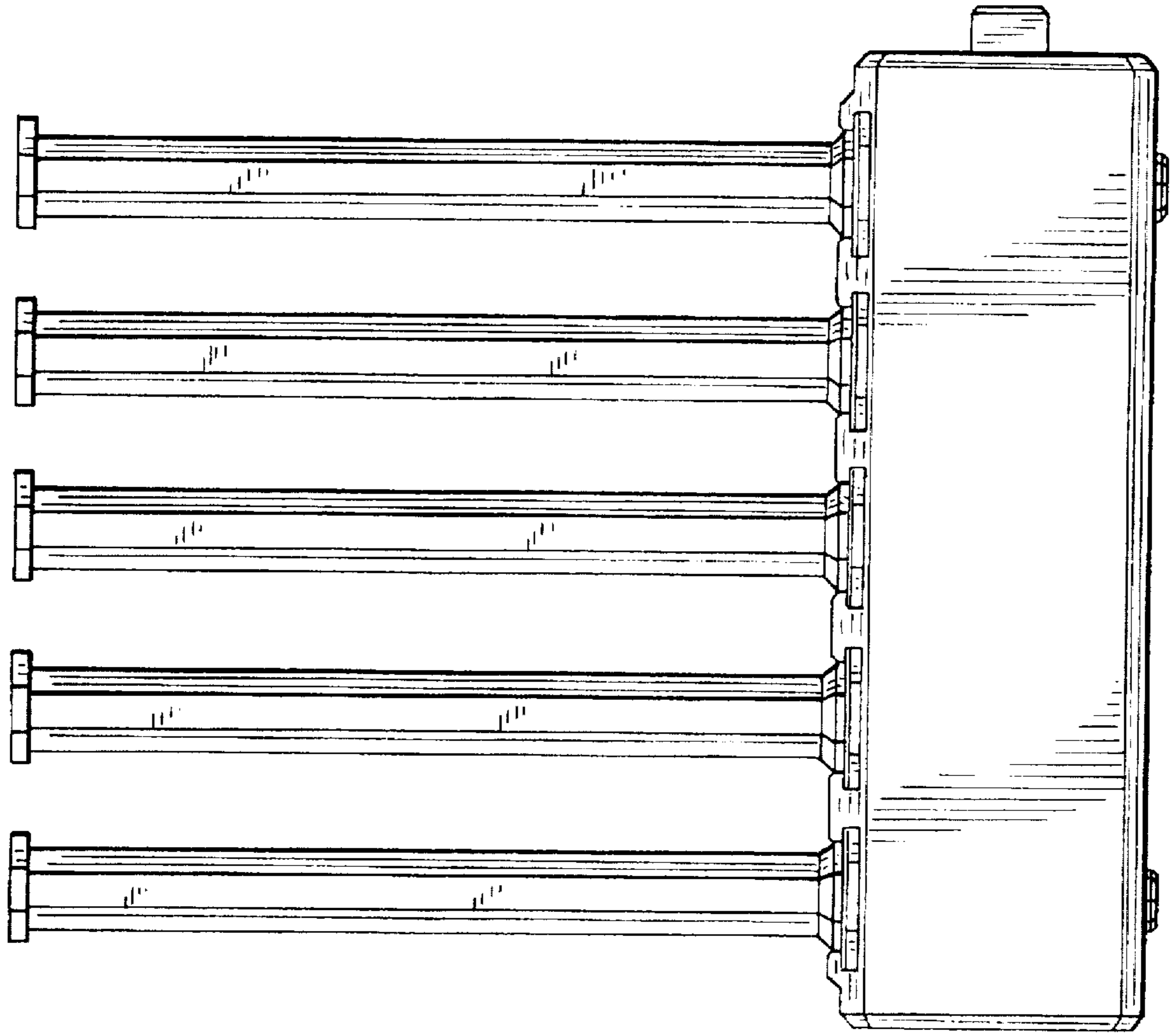


FIG. 4

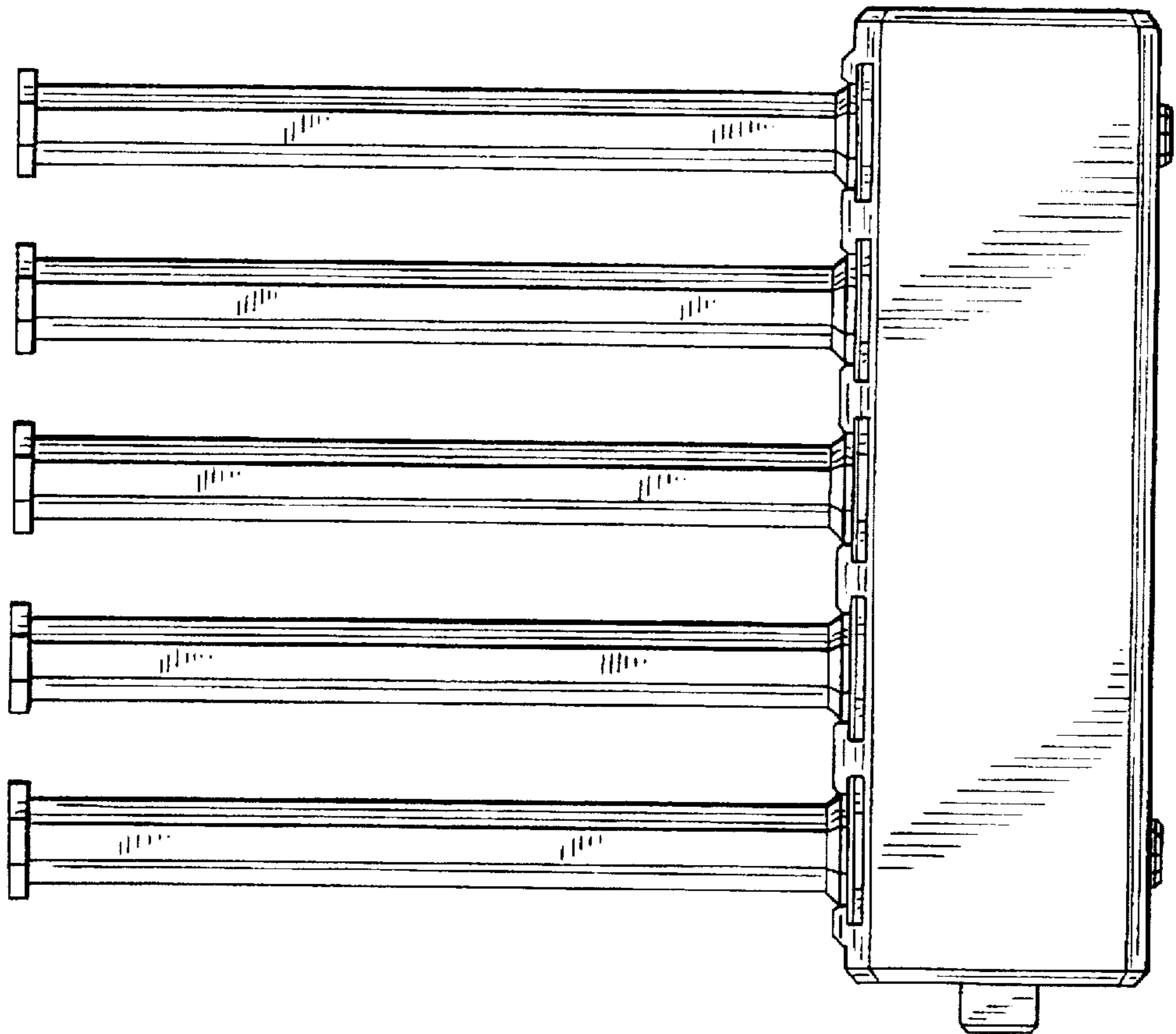


FIG. 7

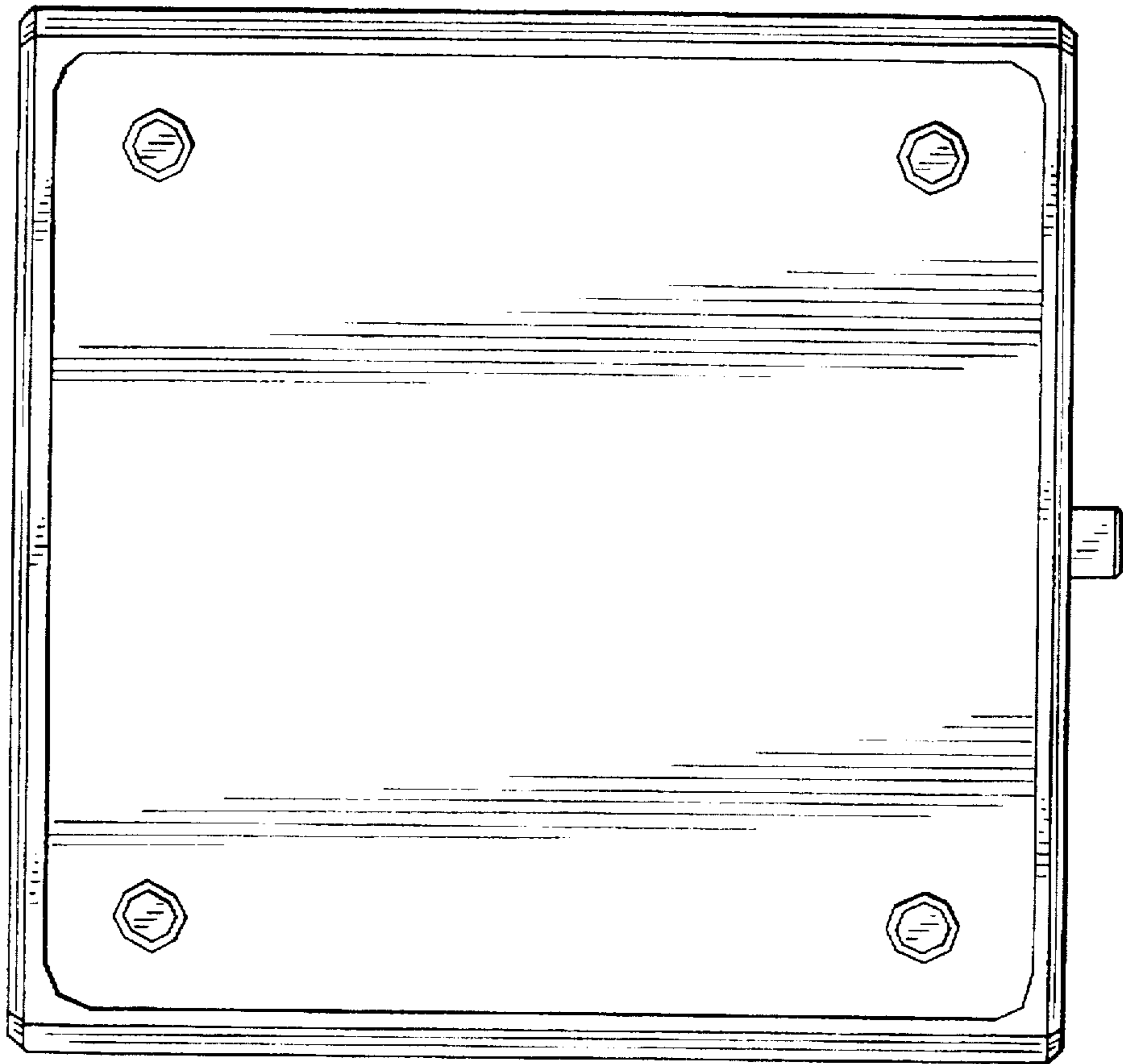


FIG. 6

