

US00D395765S

**United States Patent** [19]  
**Preisig**

[11] **Patent Number:** **Des. 395,765**  
[45] **Date of Patent:** **\*\*Jul. 7, 1998**

[54] **CHAIR**

[75] **Inventor:** **Stephan A. Preisig**, Hütten,  
Switzerland

[73] **Assignee:** **Giroflex Entwicklungs AG**, Koblenz,  
Switzerland

[\*\*] **Term:** **14 Years**

[21] **Appl. No.:** **69,198**

[22] **Filed:** **Apr. 11, 1997**

[30] **Foreign Application Priority Data**

Oct. 14, 1996 [WO] WIPO ..... DM/037.887

[51] **LOC (6) Cl.** ..... **06-01**

[52] **U.S. Cl.** ..... **D6/372; D6/379; D6/380**

[58] **Field of Search** ..... D6/334, 371, 372,  
D6/373, 374, 376, 379, 380, 500, 501,  
502; 297/445.1, 451.3, 451.7

[56] **References Cited**

**U.S. PATENT DOCUMENTS**

D. 149,652 5/1948 Kipp ..... D6/372

D. 150,759 8/1948 Dinges ..... D6/372  
D. 274,579 7/1984 Diffrient ..... D6/372

*Primary Examiner*—Gary D. Watson  
*Attorney, Agent, or Firm*—Greenblum & Bernstein, P.L.C.

[57] **CLAIM**

The ornamental design for a chair, as shown and described.

**DESCRIPTION**

FIG. 1 is a front perspective view of the Chair according to the invention;

FIG. 2 is a right-side elevational view thereof, with the left-side elevational view being identical;

FIG. 3 is a rear elevational view thereof;

FIG. 4 is a front elevational view thereof;

FIG. 5 is a bottom plan view thereof; and,

FIG. 6 is a top plan view thereof.

**1 Claim, 3 Drawing Sheets**

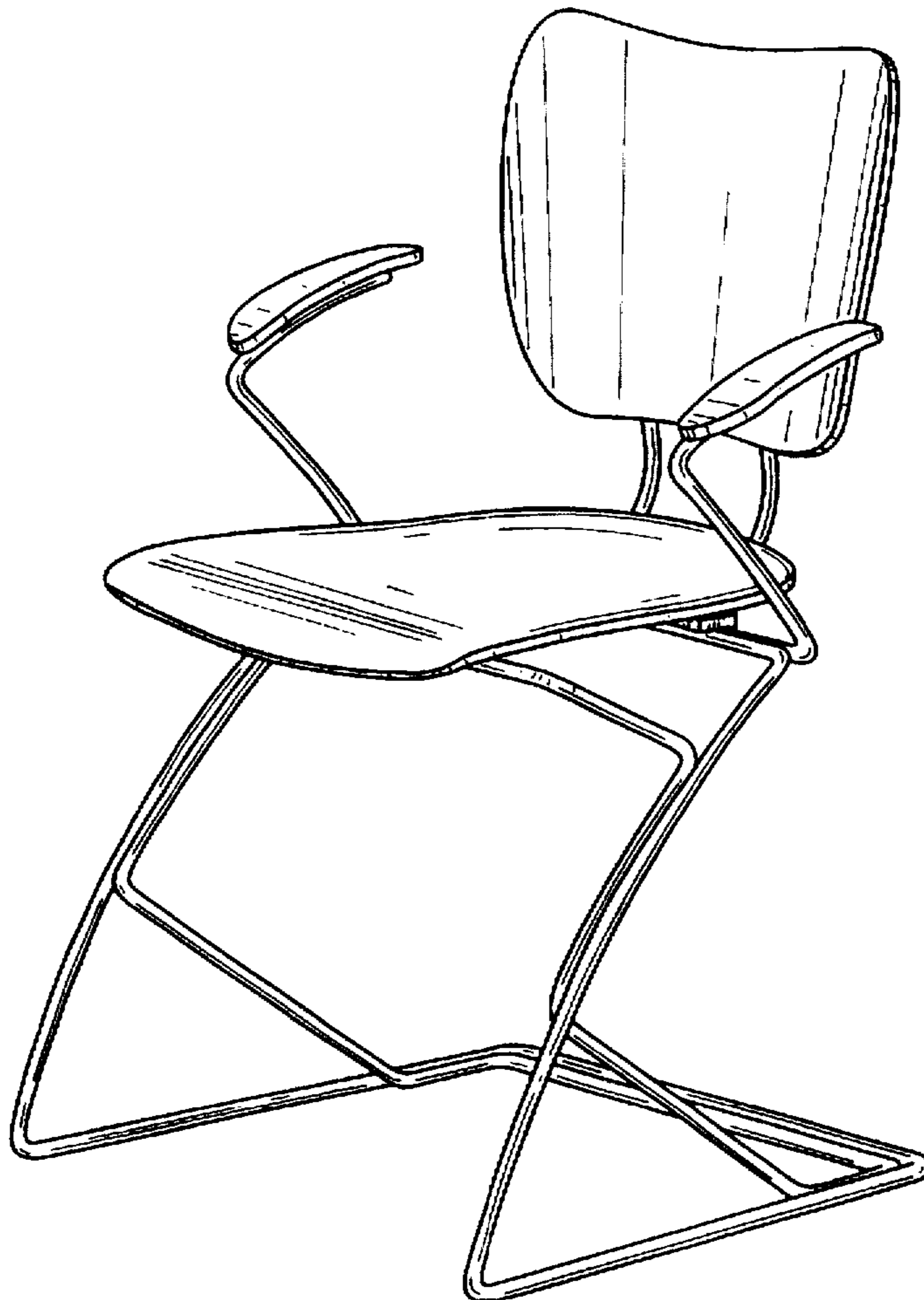


FIG. 2

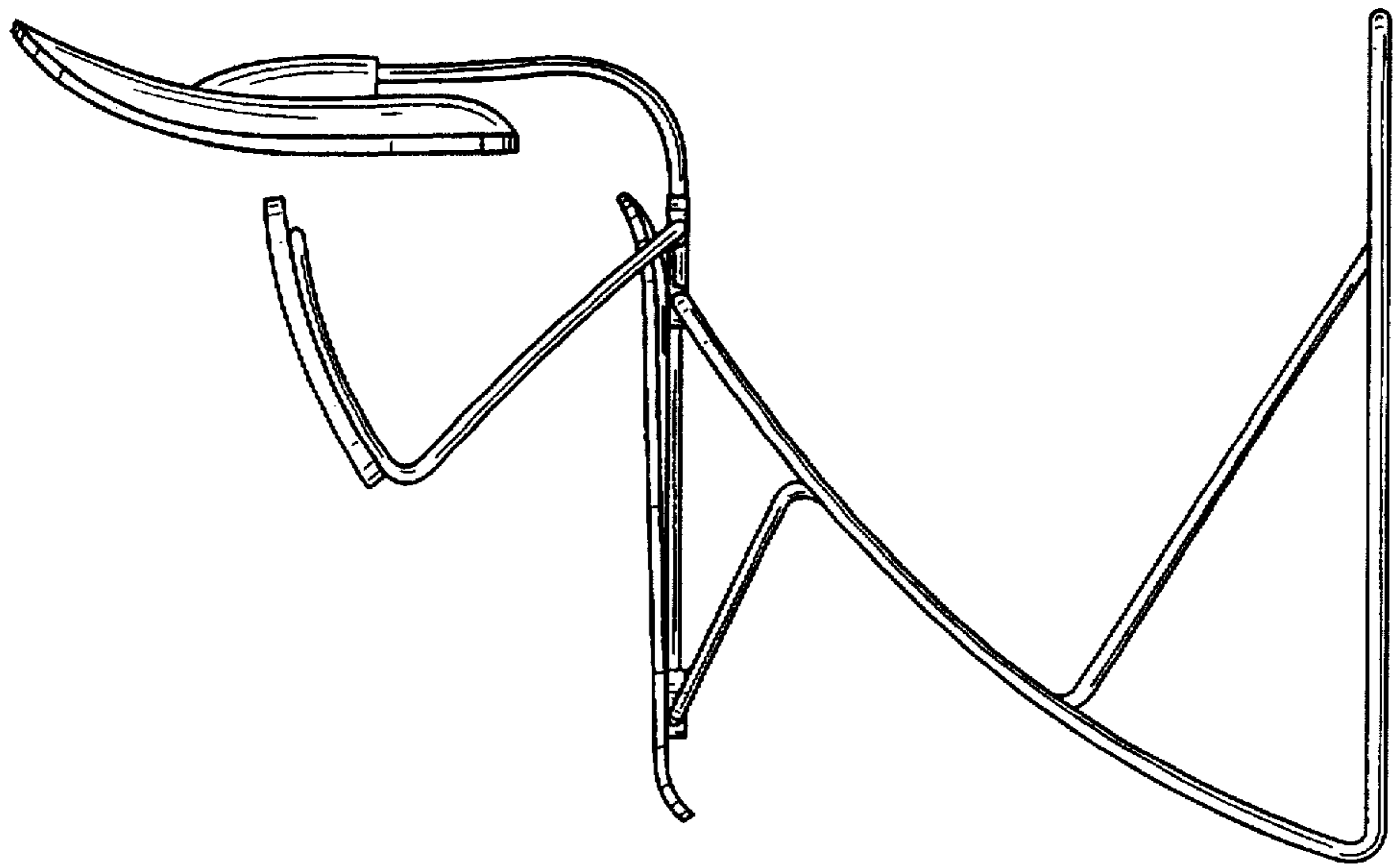


FIG. 1

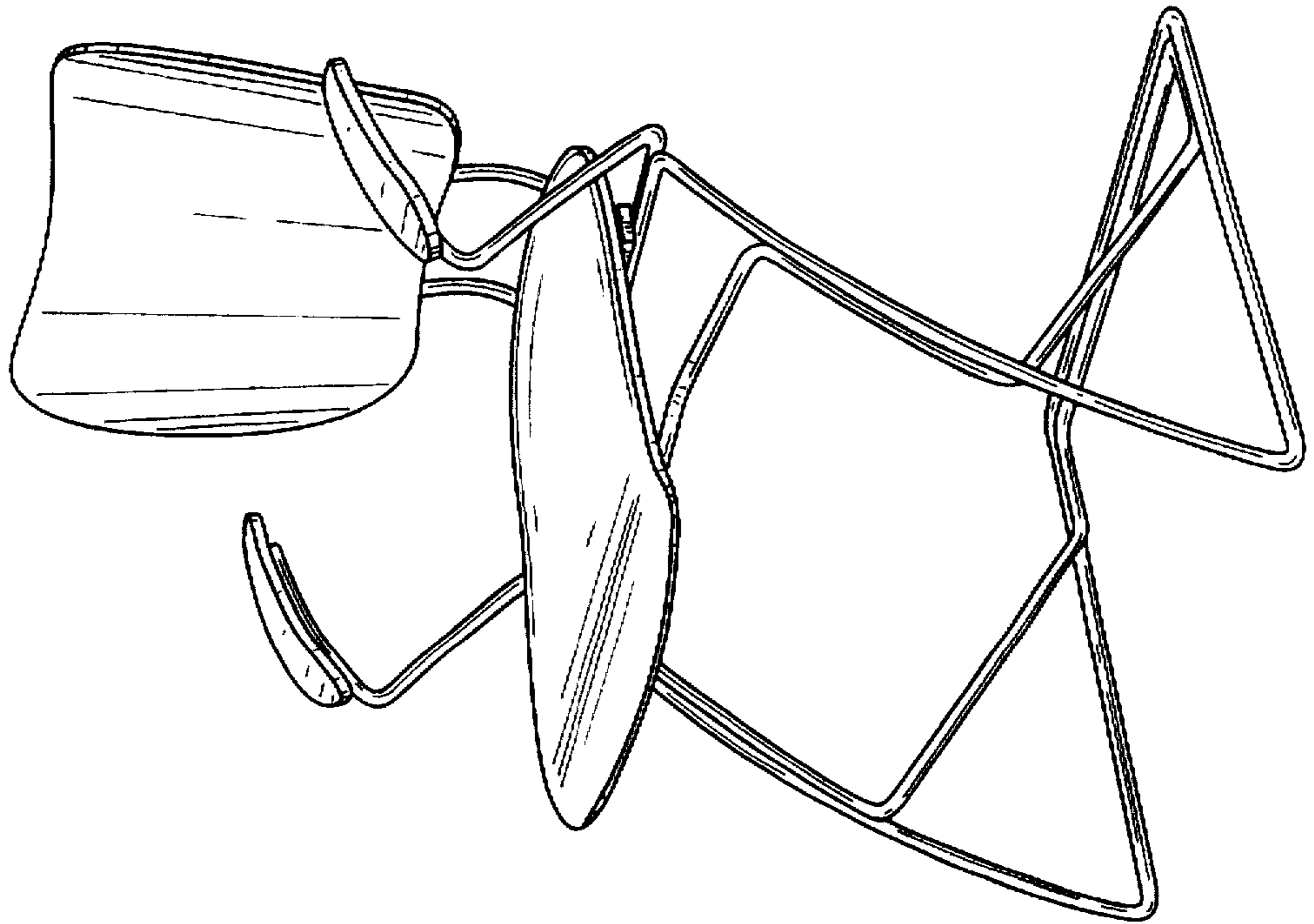


FIG. 4

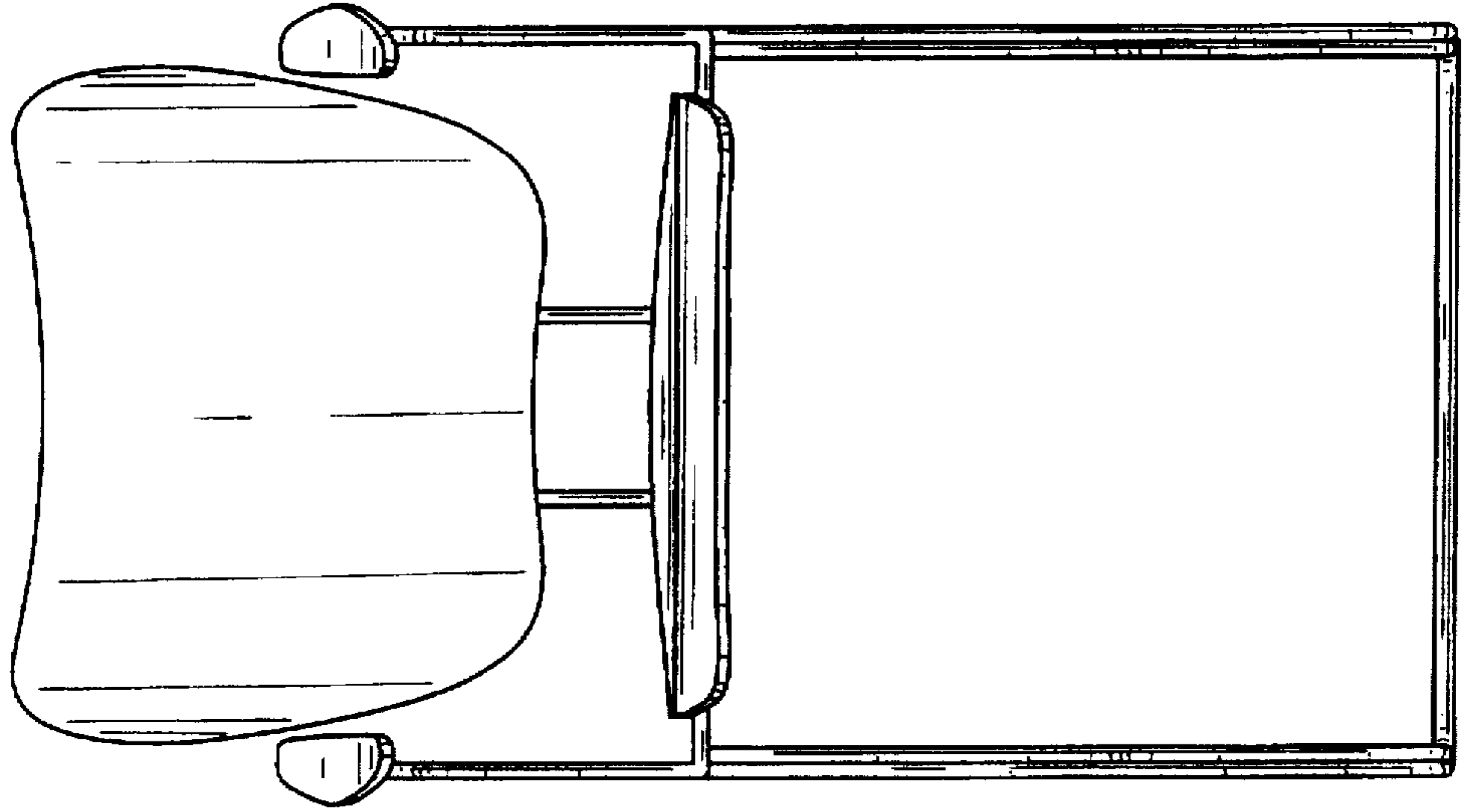


FIG. 3

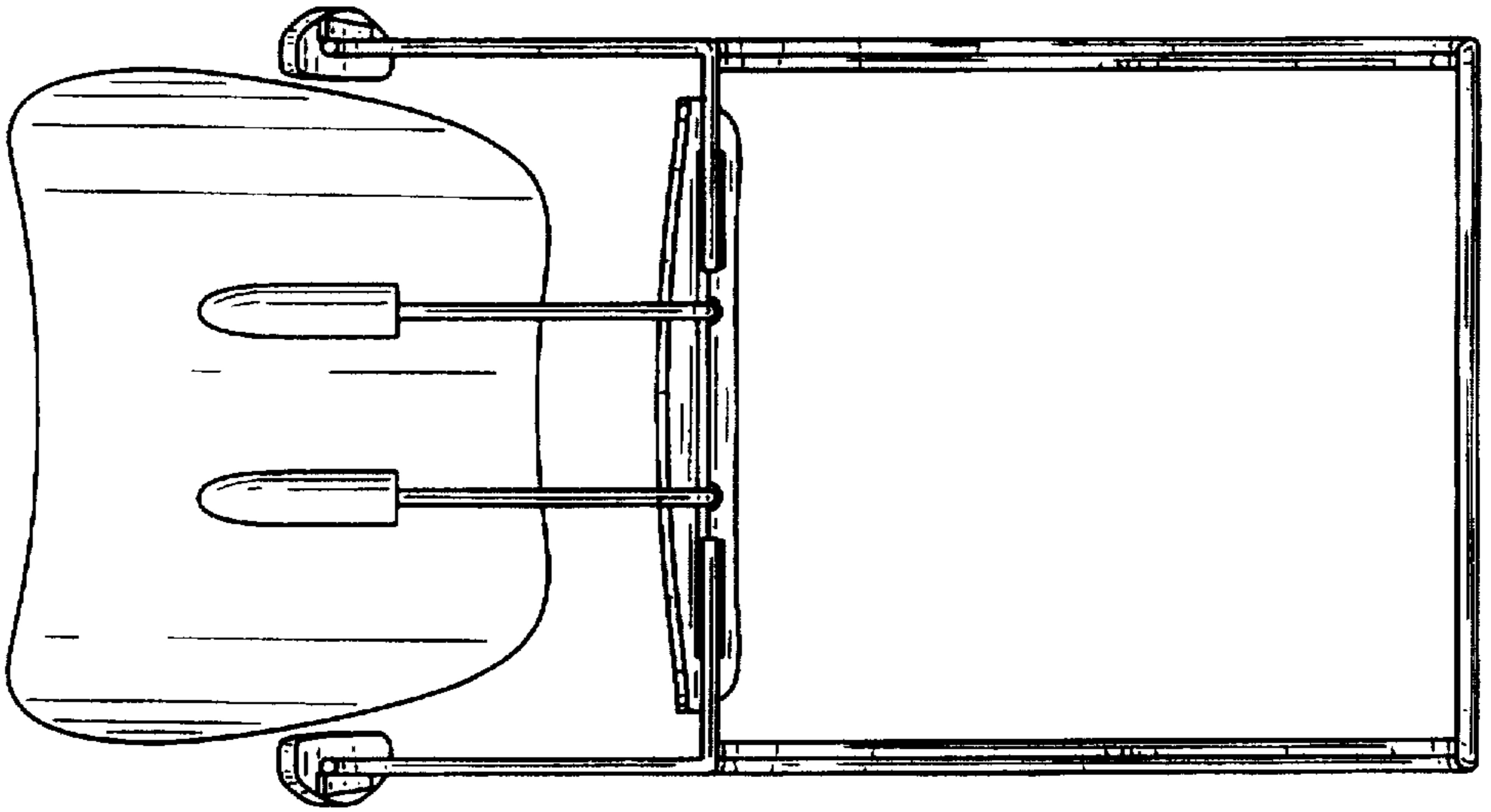


FIG. 5

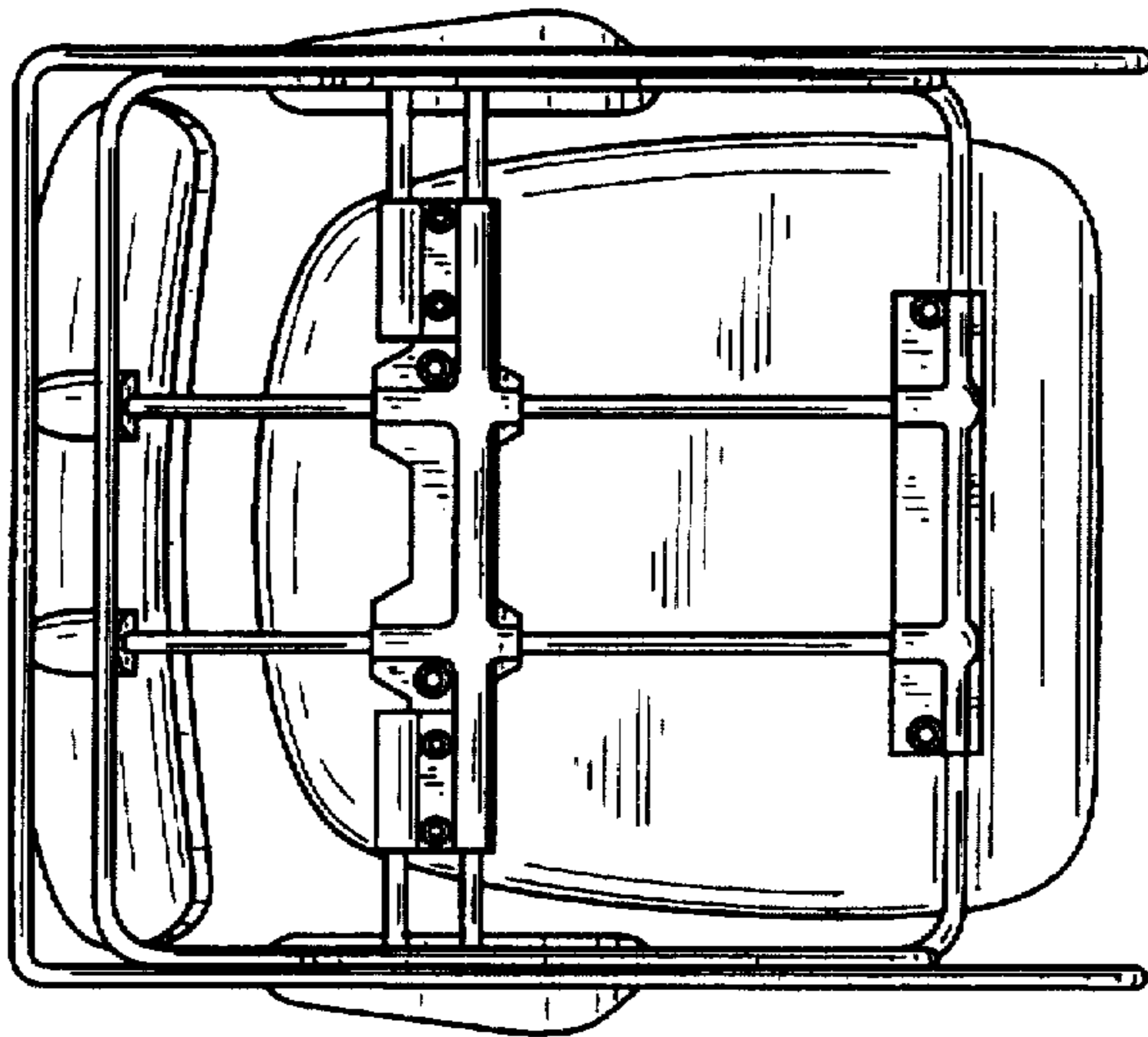


FIG. 6

