



US00D395763S

United States Patent [19]
Machell

[11] **Patent Number:** **Des. 395,763**
[45] **Date of Patent:** ****Jul. 7, 1998**

[54] **COLLAPSIBLE ROCKING RECLINER**

[76] **Inventor:** **Stephen R. Machell**, 3570 Mott Rd.,
Dover, Fla. 33527

[**] **Term:** **14 Years**

[21] **Appl. No.:** **71,550**

[22] **Filed:** **Jun. 2, 1997**

[51] **LOC (6) Cl.** **06-01**

[52] **U.S. Cl.** **D6/368; D6/344; D6/375**

[58] **Field of Search** **D6/334, 335, 336,**
D6/344, 368, 374, 375, 379, 500, 501,
502; 297/55, 452.13

[56] **References Cited**

U.S. PATENT DOCUMENTS

Re. 20,384	5/1937	Stockil	D6/368
D. 221,146	7/1971	McComas	D6/368
D. 252,428	7/1979	Brelsford	D6/375
1,949,282	2/1934	Murray	D6/368
2,543,273	2/1951	Beil	D6/368
2,697,476	12/1954	Tripodi et al.	D6/335
2,710,642	6/1955	Fauser	D6/368
2,741,298	4/1956	Roberts III	D6/368

OTHER PUBLICATIONS

Peerless Folding Furniture, p. 10, Chair # 60 at bottom left, 1941.

Primary Examiner—Gary D. Watson

Attorney, Agent, or Firm—Arthur W. Fisher, III

[57] **CLAIM**

The ornamental design for a collapsible rocking recliner, as shown and described.

DESCRIPTION

FIG. 1 is a perspective view of the collapsible rocking recliner;

FIG. 2 is a front view of the collapsible rocking recliner thereof;

FIG. 3 is a rear view of the collapsible rocking recliner thereof;

FIG. 4 is a left elevational view of the collapsible rocking recliner thereof;

FIG. 5 is a right elevational view of the collapsible rocking recliner thereof;

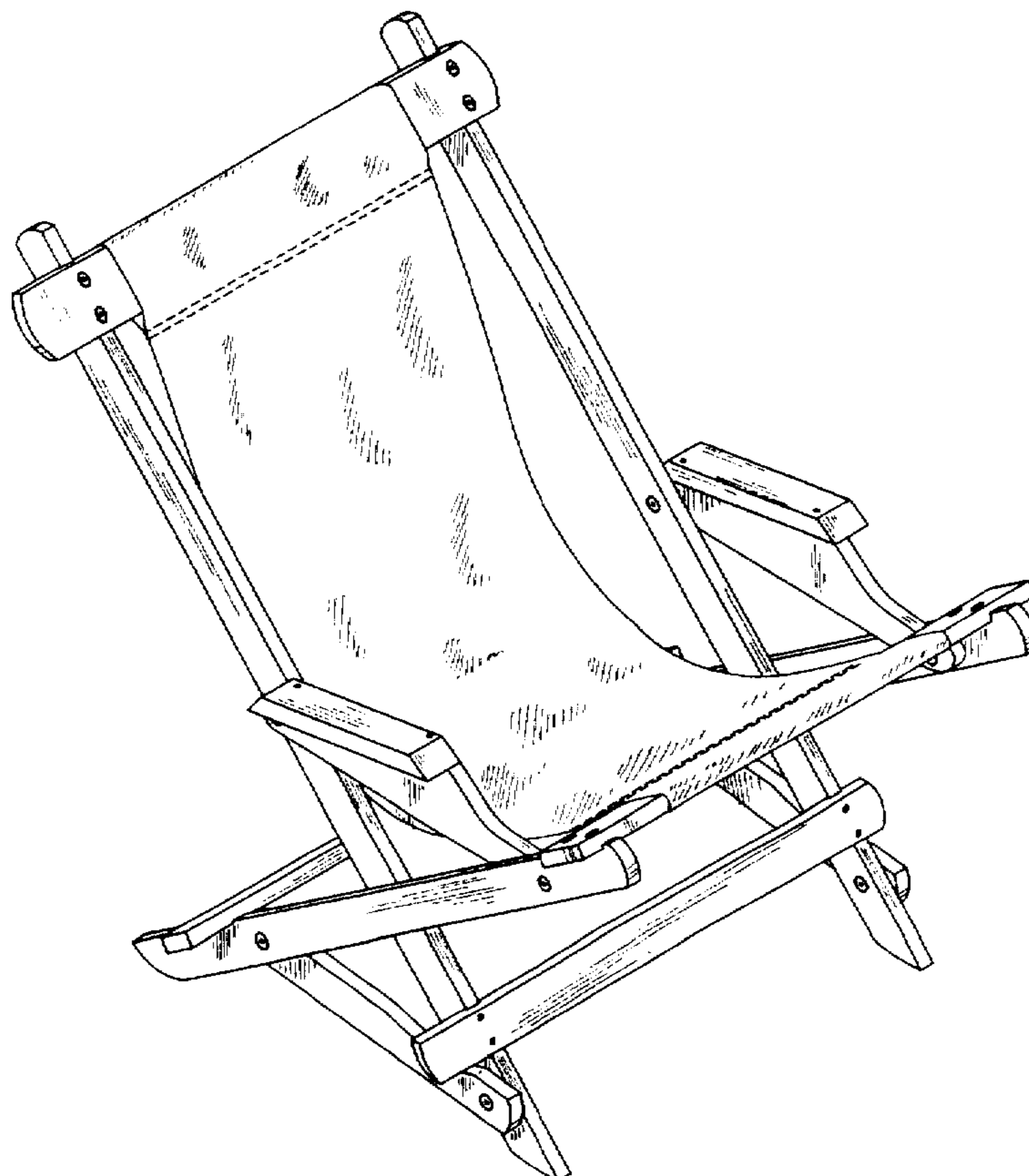
FIG. 6 is a top view of the collapsible rocking recliner thereof; and,

FIG. 7 is a bottom view of the collapsible rocking recliner thereof.

The broken lines shown in FIGS. 1, 2, 3, 6 and 7 represent stitching.

FIGS. 2 through 7 have been shown on a reduced scale with respect to FIG. 1.

1 Claim, 4 Drawing Sheets



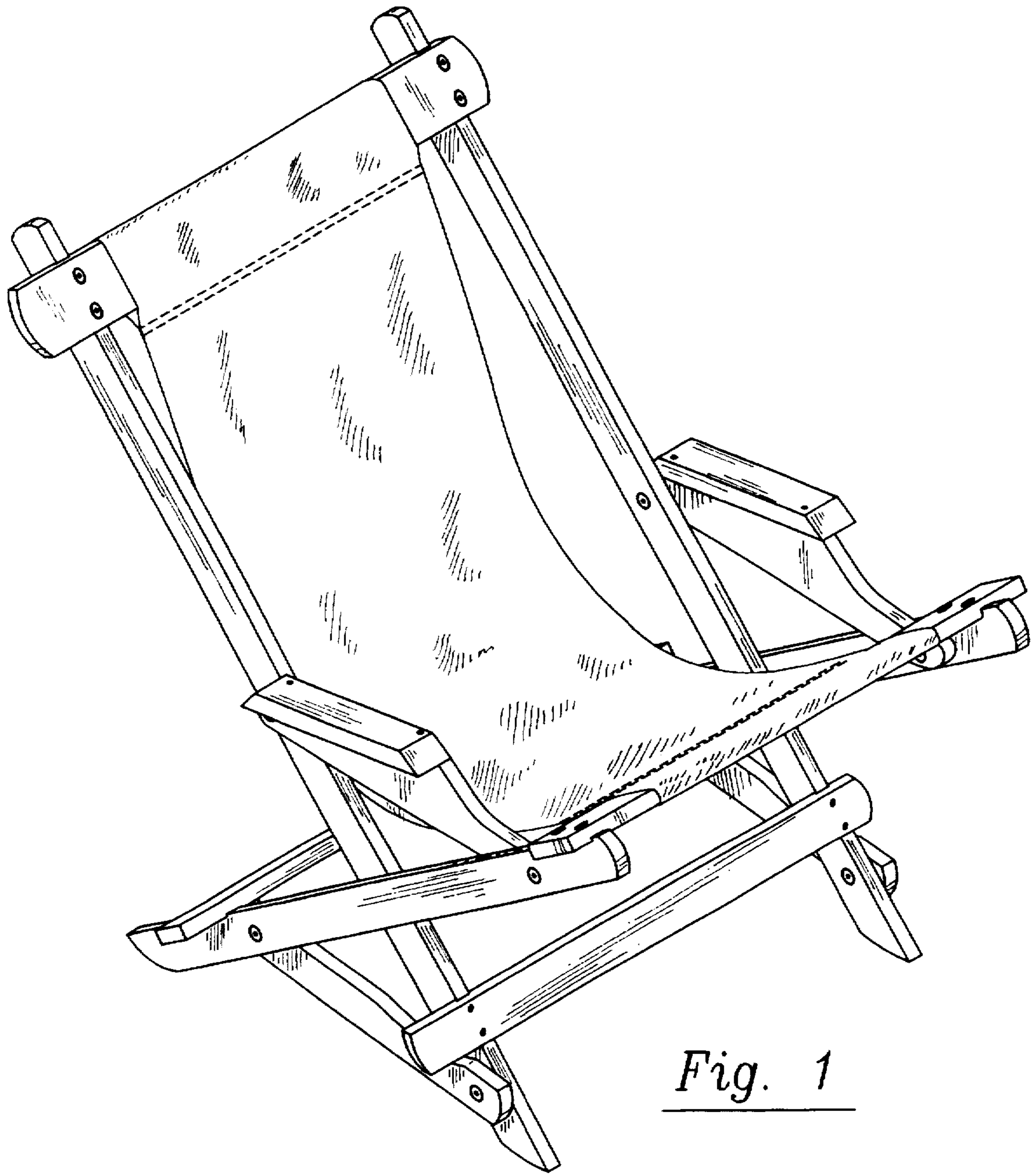


Fig. 1

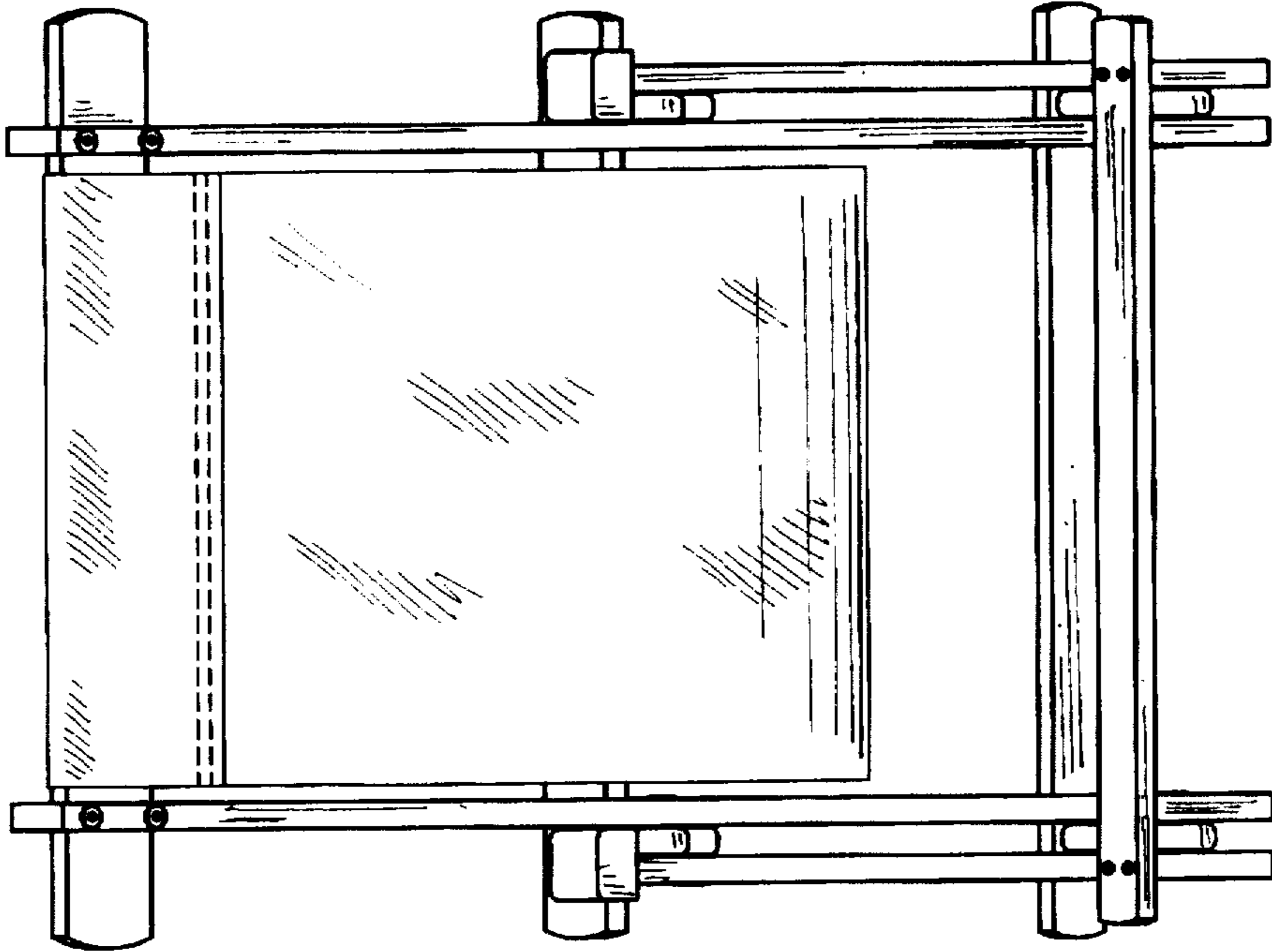


Fig. 3

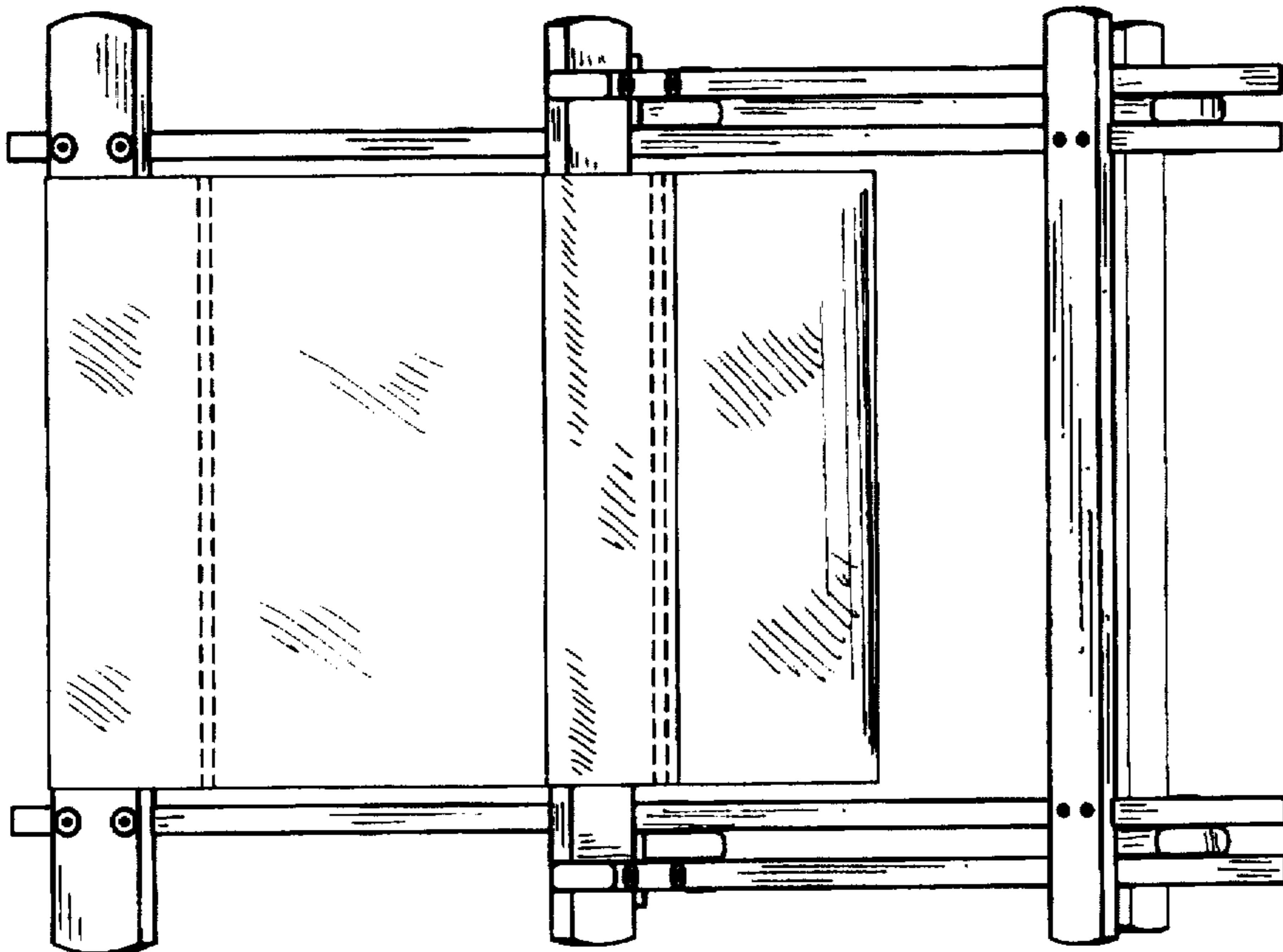


Fig. 2

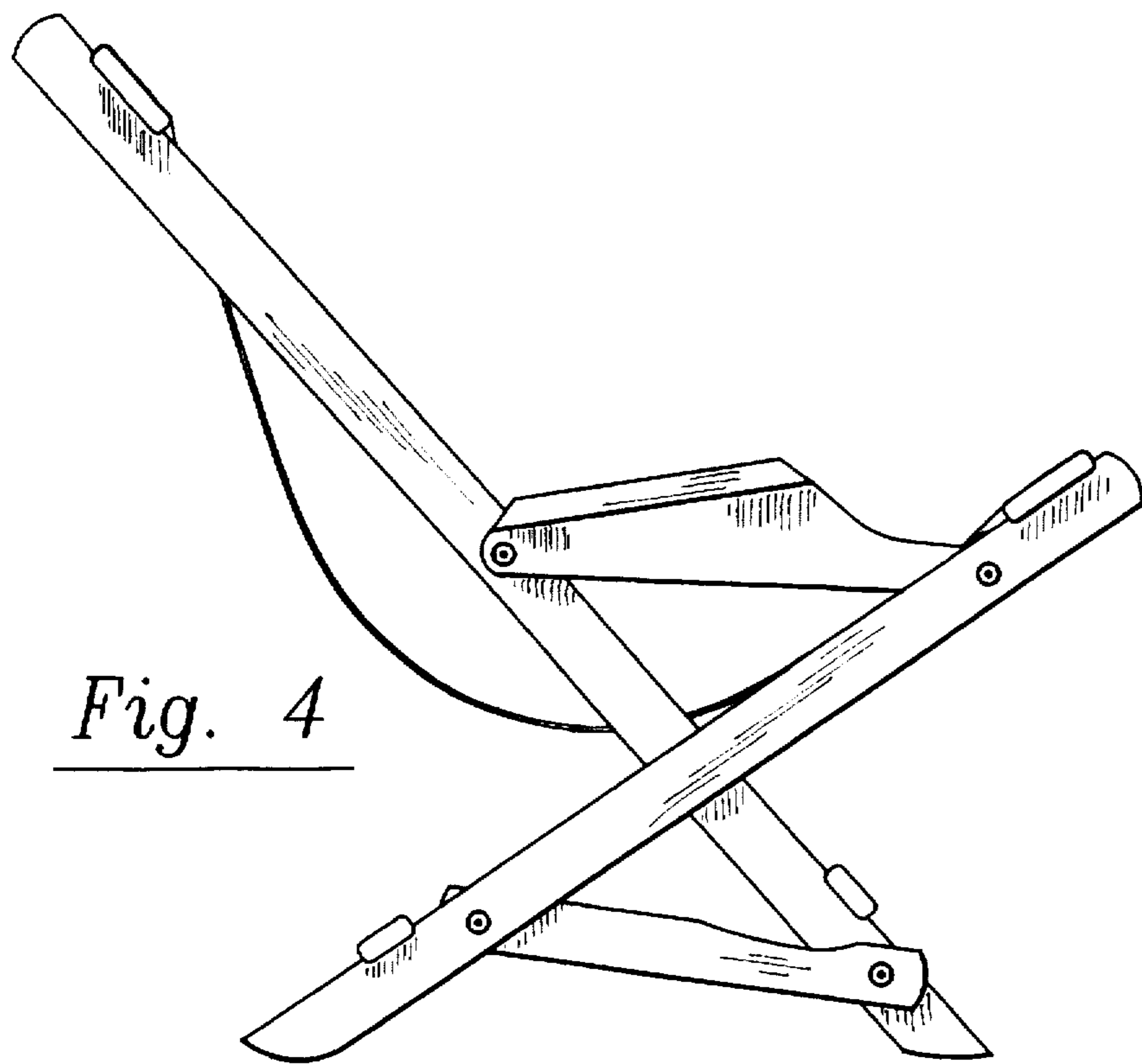


Fig. 4

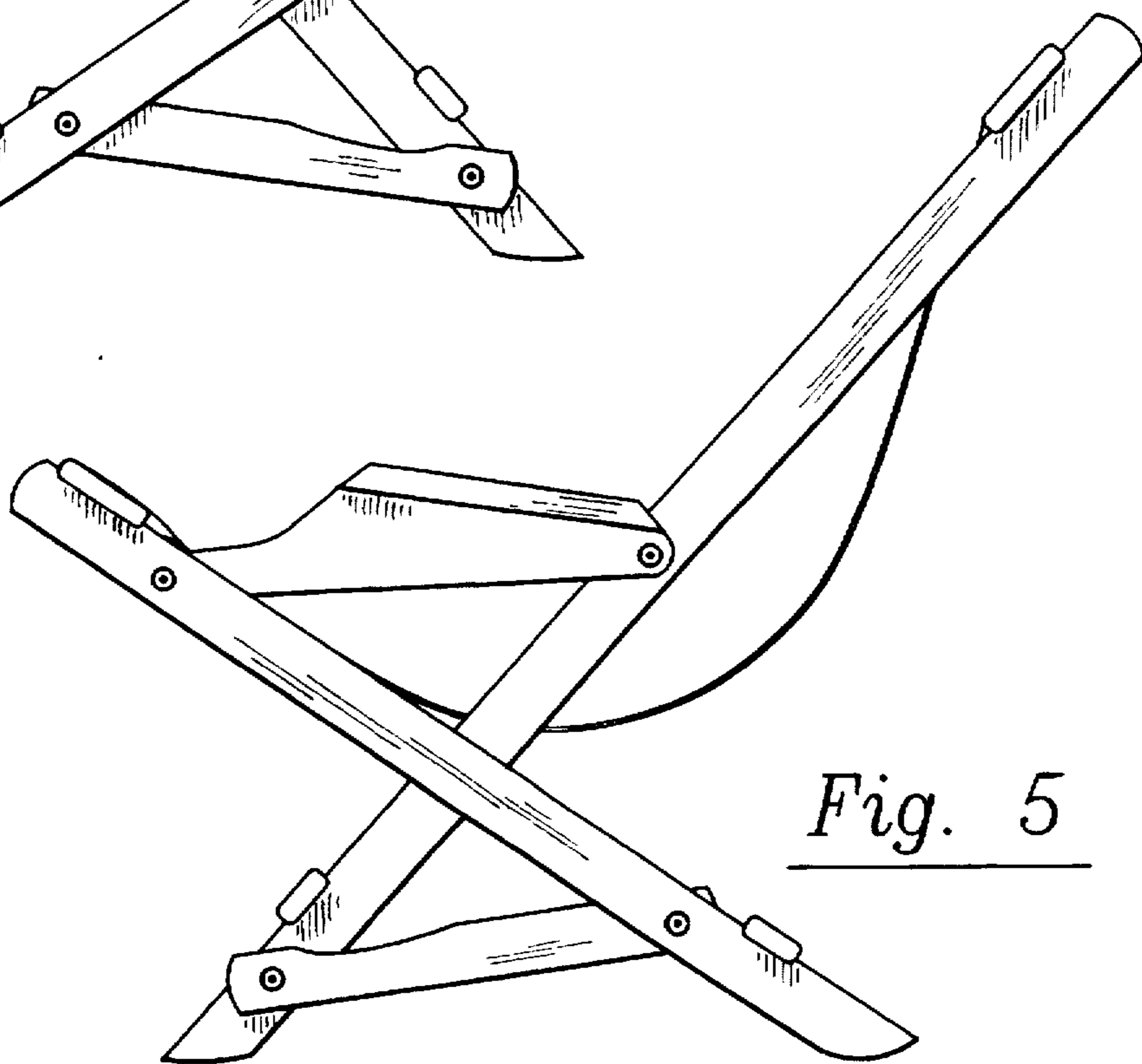


Fig. 5

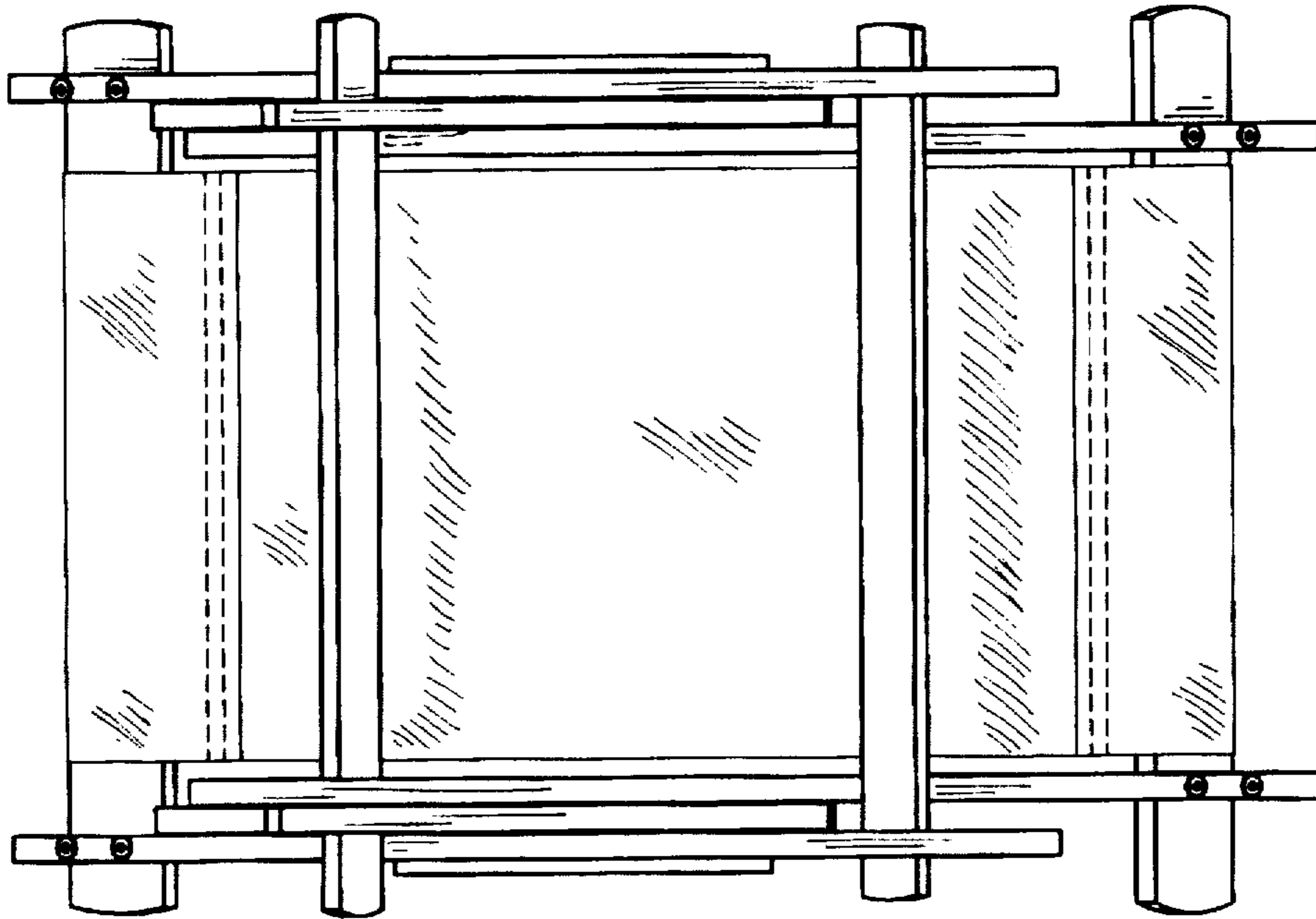


Fig. 7

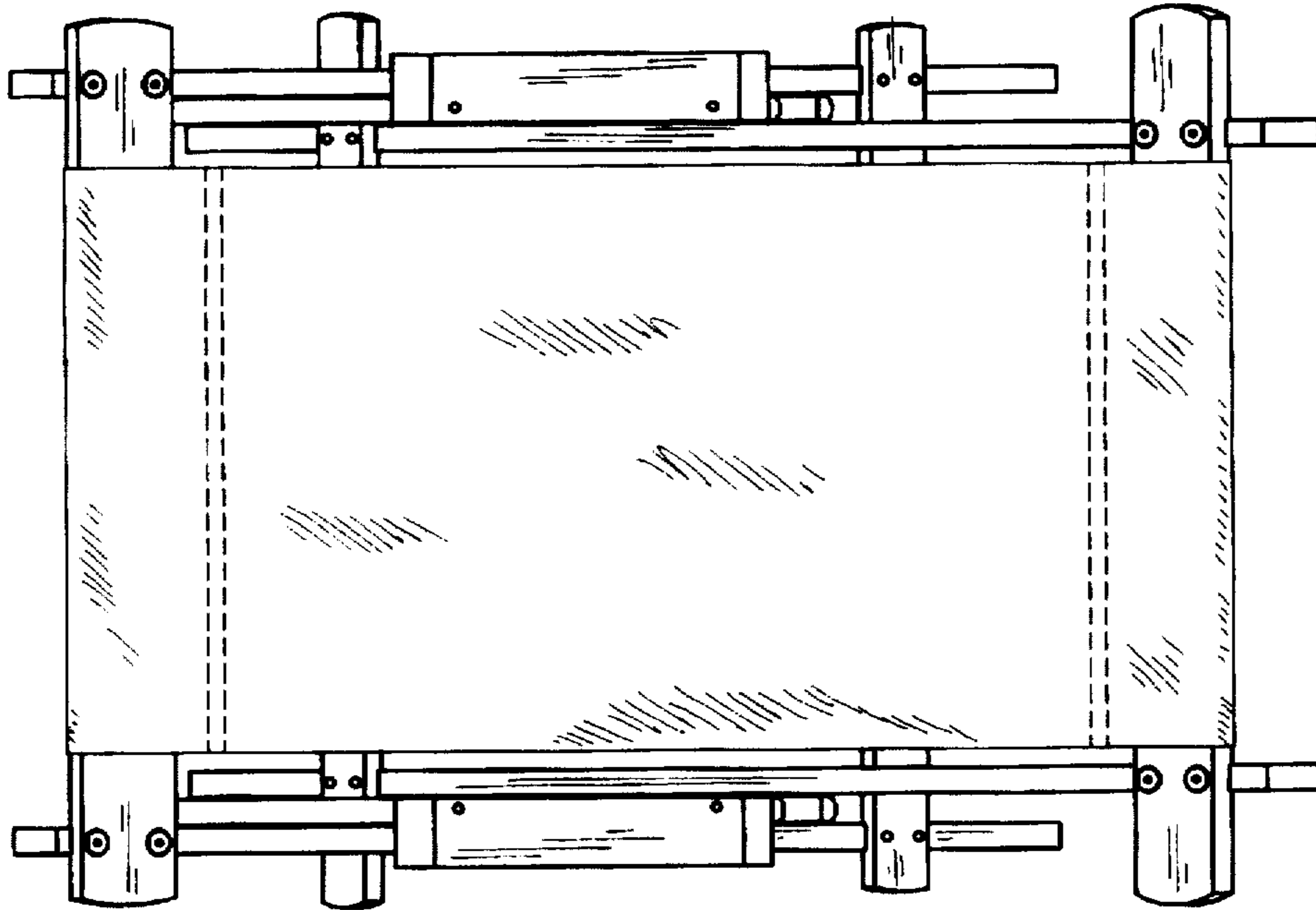


Fig. 6