



US00D395762S

United States Patent [19]

[11] Patent Number: **Des. 395,762**

Saul

[45] Date of Patent: ****Jul. 7, 1998**

[54] CHAIR

[75] Inventor: **Greg Saul**, Charlotte, N.C.
 [73] Assignee: **O'Sullivan Industries, Inc.**, Lamar, Mo.
 [**] Term: **14 Years**

[21] Appl. No.: **68,949**
 [22] Filed: **Feb. 28, 1997**

[51] LOC (6) Cl. **06-01**
 [52] U.S. Cl. **D6/366**
 [58] Field of Search D6/334, 364, 365,
 D6/366, 367, 379, 500, 501, 502; 297/411.2

[56] References Cited

U.S. PATENT DOCUMENTS

D. 119,047	2/1940	Page	D6/366
D. 301,662	6/1989	Vonhausen	D6/366
D. 318,763	8/1991	George et al.	D6/366
D. 349,822	8/1994	Murry	D6/379
D. 354,178	1/1995	Ochsner	D6/366

OTHER PUBLICATIONS

Cartwright, P. 2A. Chair Shown, 1985.
 AGI Industries, Chair #9026-2ESS in Frame "B" Left Center, Feb. 11, 1992.
 Saul, *Chair*, U.S. Serial No.: 29/068,947.
 Saul, *Chair*, U.S. Serial No.: 29/068/952.

Primary Examiner—Gary D. Watson
Attorney, Agent, or Firm—Haynes and Boone L.L.P.

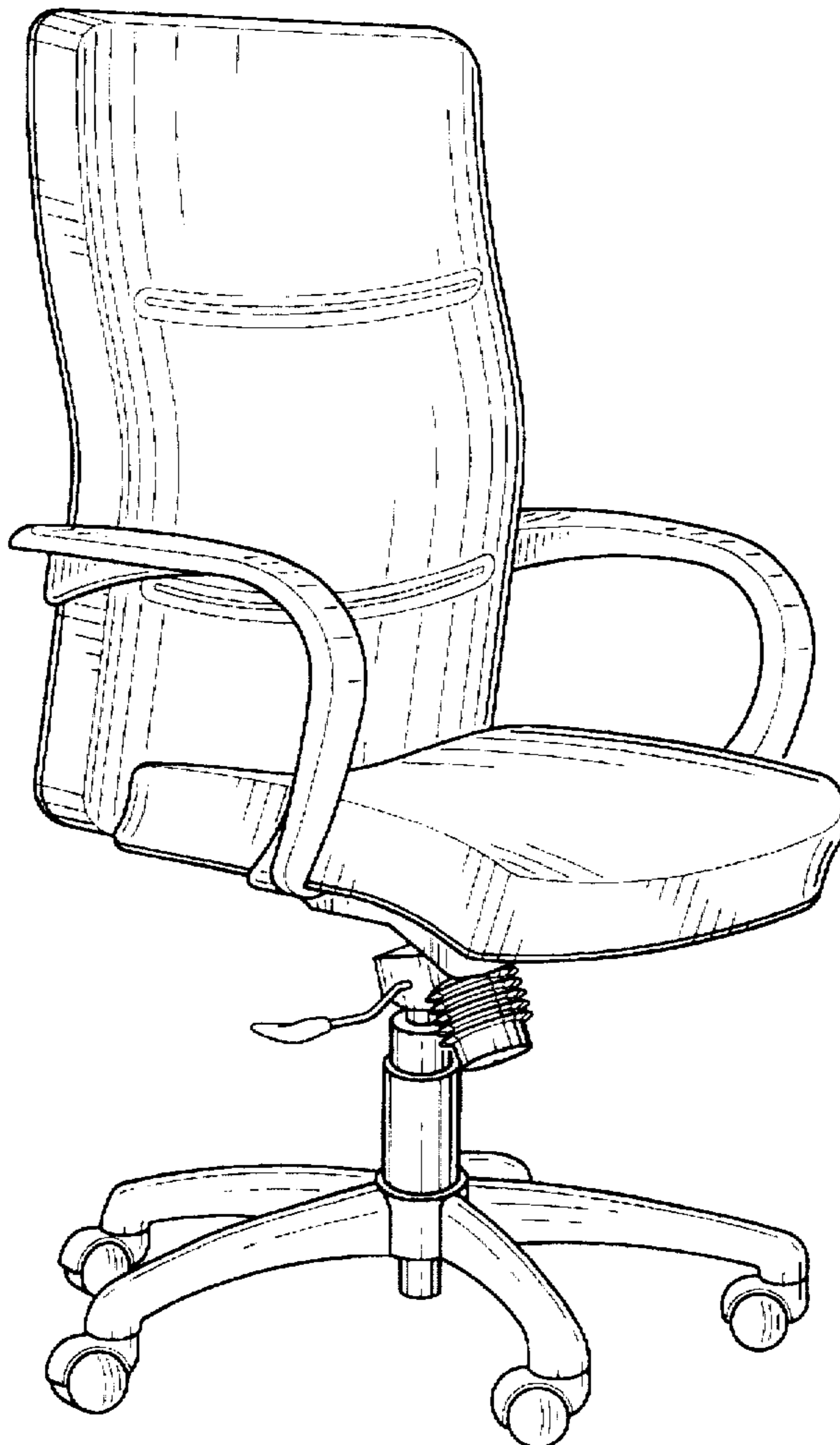
[57] CLAIM

The ornamental design for a chair, as shown and described.

DESCRIPTION

FIG. 1 is a perspective view of a chair showing my new design;
 FIG. 2 is a front elevational view thereof;
 FIG. 3 is a left side elevational view thereof;
 FIG. 4 is a rear elevational view thereof;
 FIG. 5 is a right side elevational view thereof;
 FIG. 6 is a top plan view thereof; and,
 FIG. 7 is a bottom plan view thereof.

1 Claim, 3 Drawing Sheets



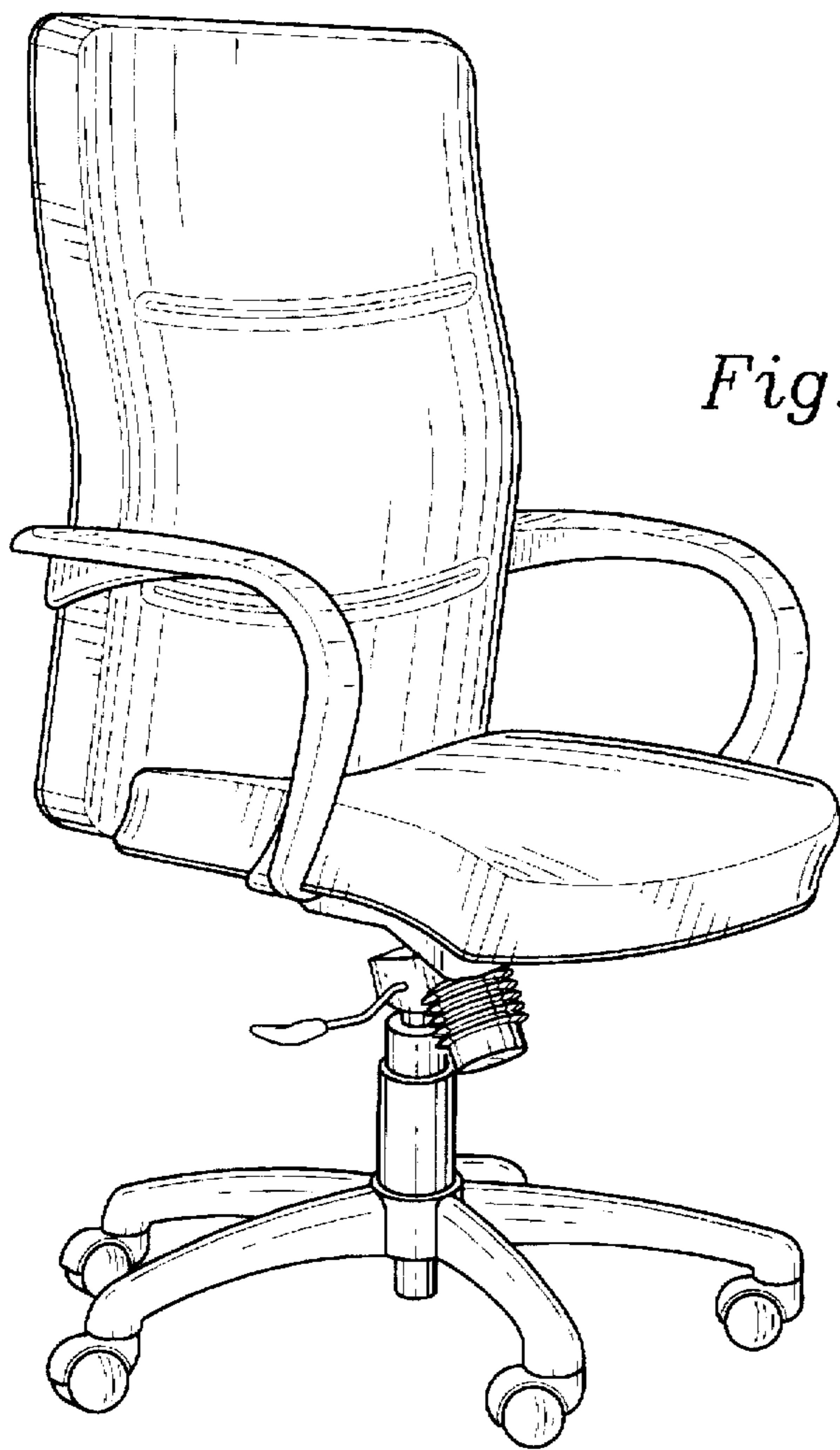


Fig. 1

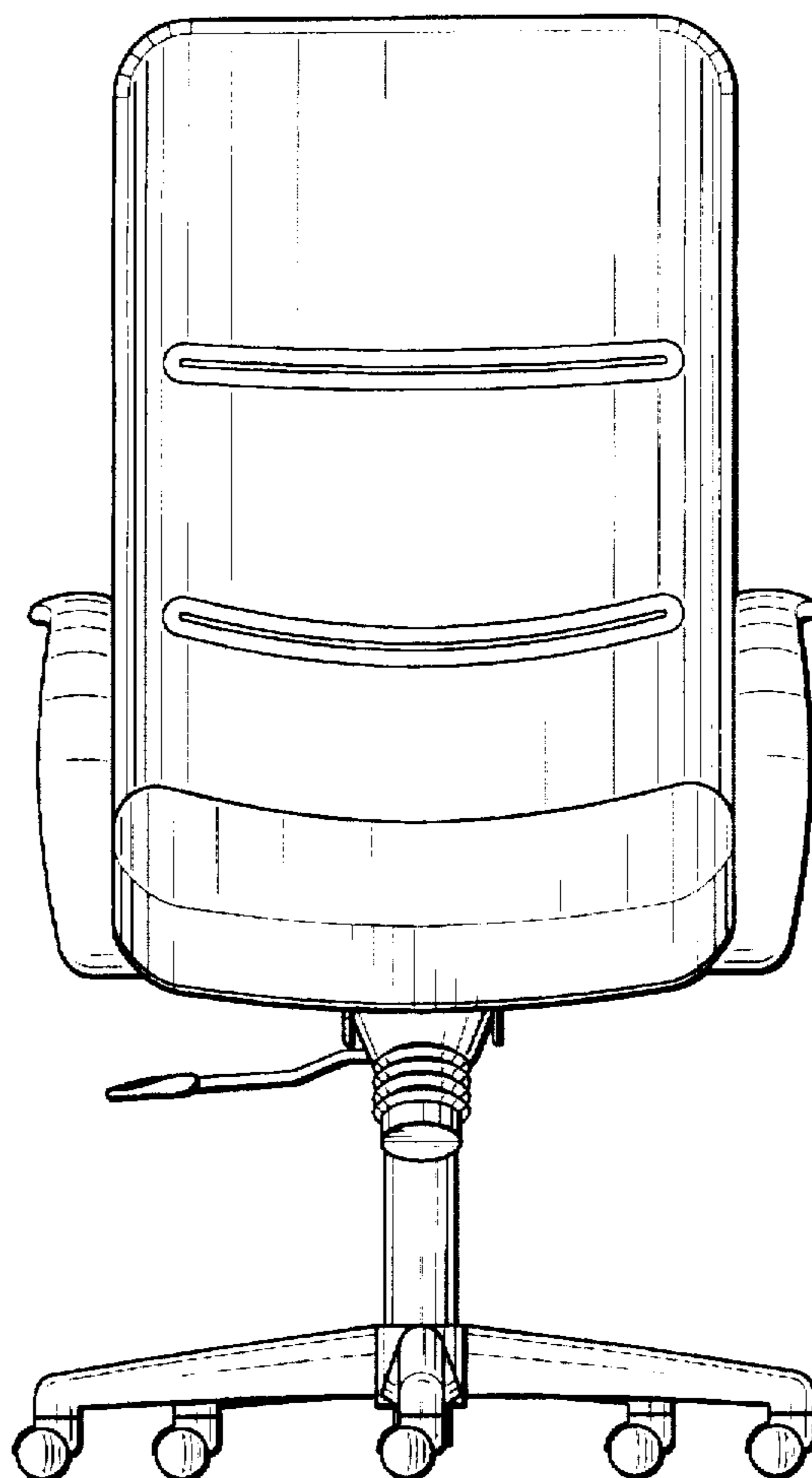


Fig. 2

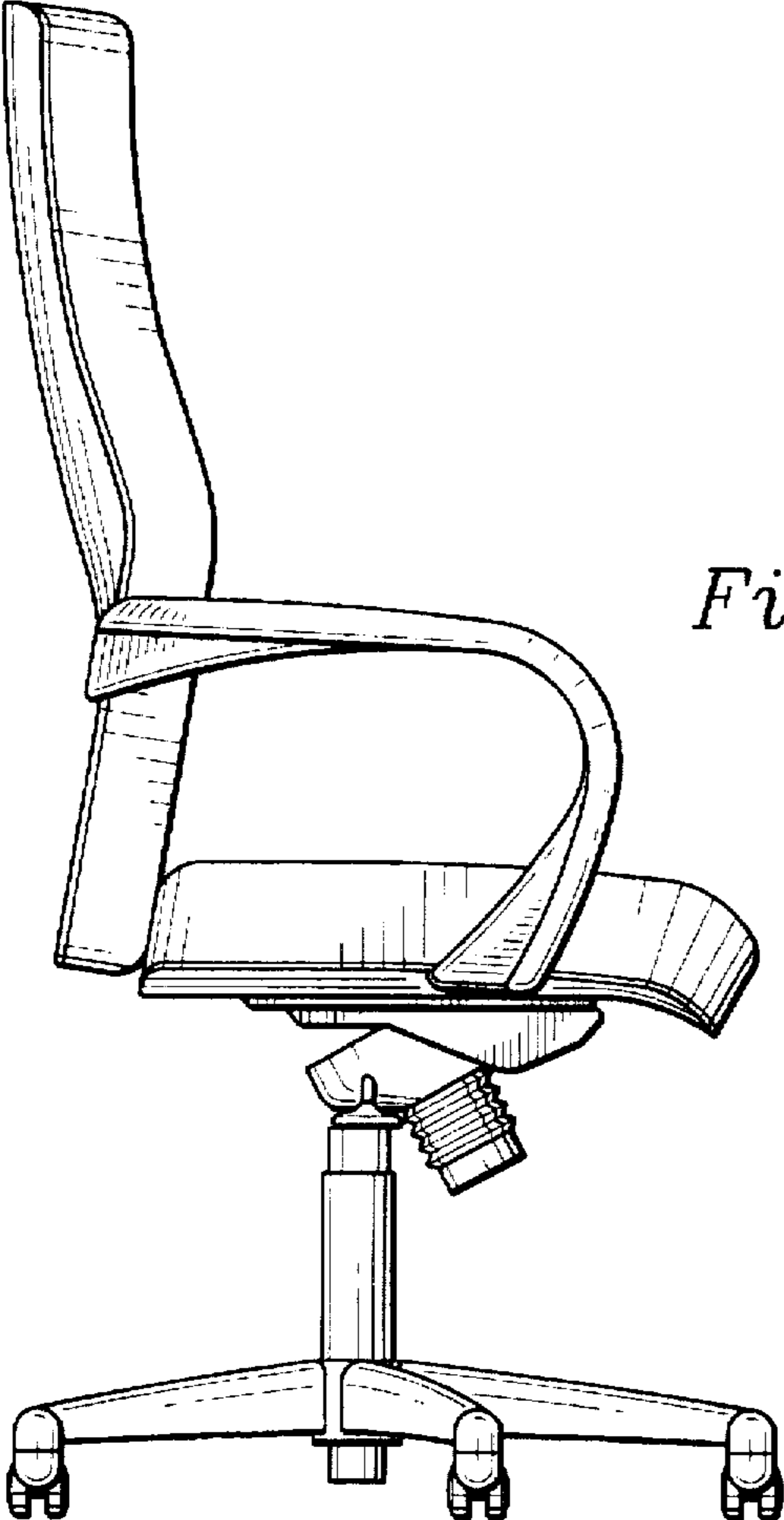


Fig. 3

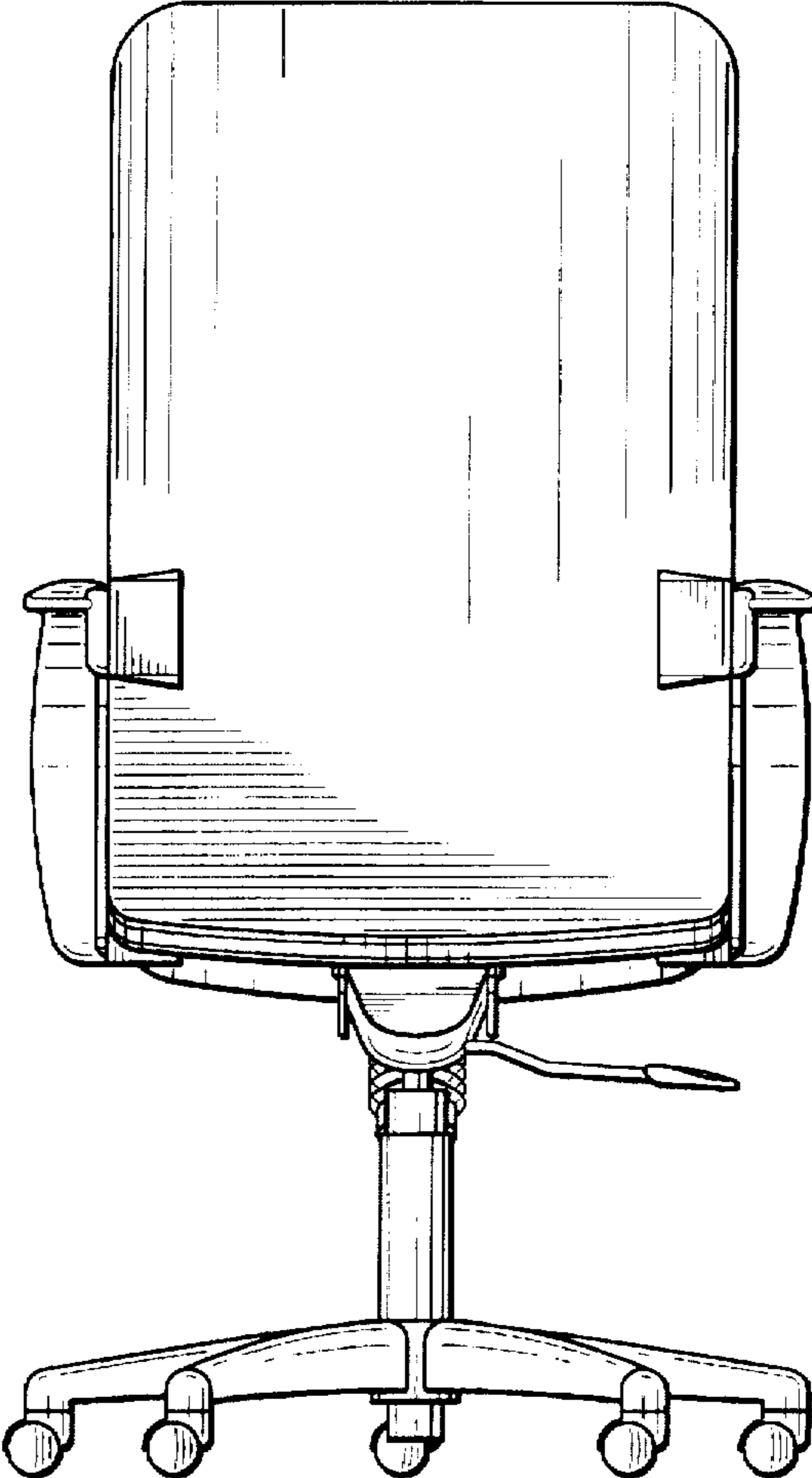


Fig. 4

Fig. 5

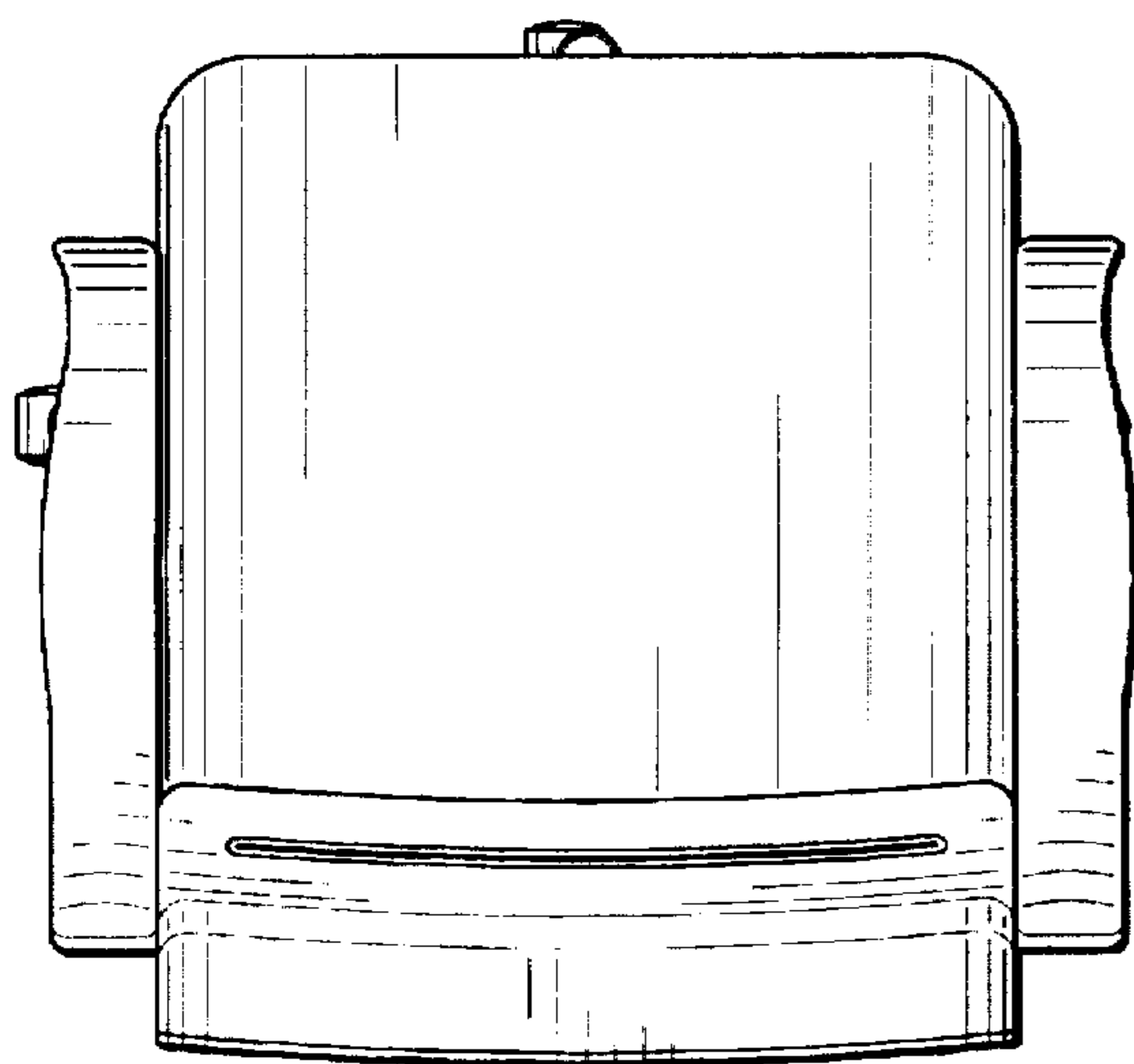
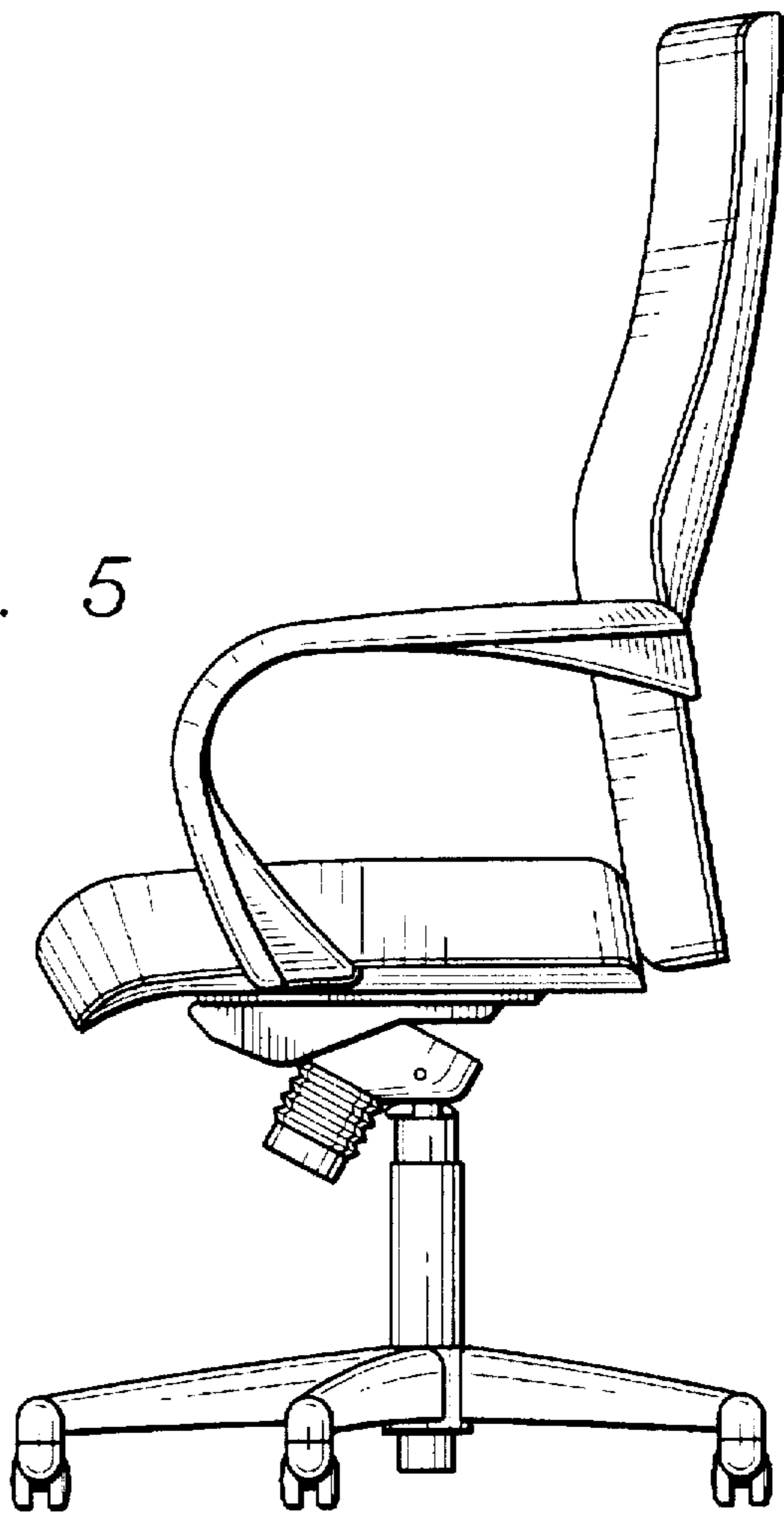


Fig. 6

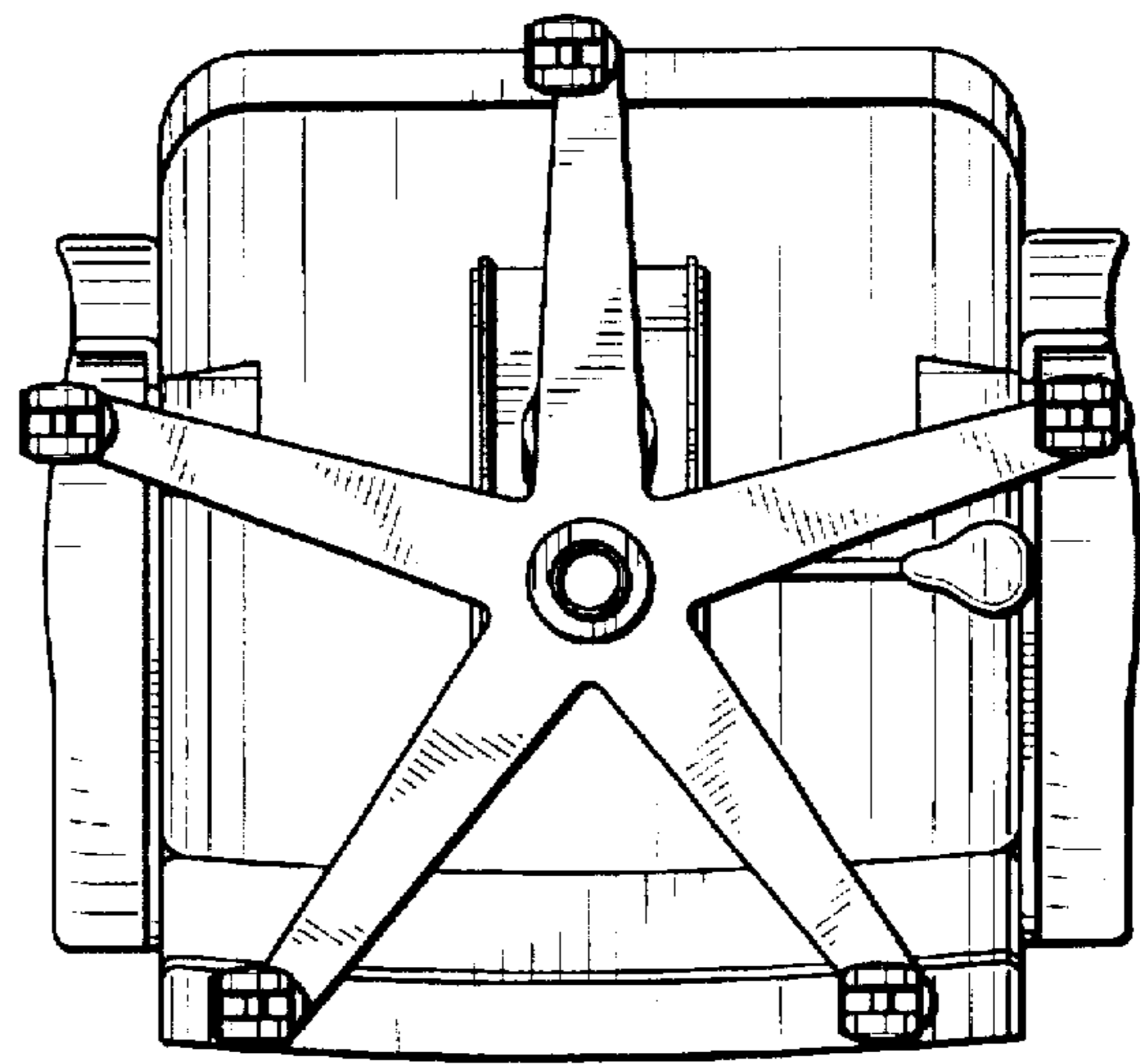


Fig. 7