



US00D395761S

# United States Patent [19]

Saul

[11] Patent Number: **Des. 395,761**

[45] Date of Patent: **\*\*Jul. 7, 1998**

[54] CHAIR

D. 369,259 4/1996 Breen ..... D6/500  
D. 372,595 8/1996 Schultz et al. .... D6/366

[75] Inventor: **Greg Saul**, Charlotte, N.C.

### OTHER PUBLICATIONS

[73] Assignee: **O'Sullivan Industries, Inc.**, Lamar, Mo.

Saul, *Chair*, U.S. Serial No.: 29/068,949, Filed: February 28, 1997.

[\*\*] Term: **14 Years**

Saul, *Chair*, U.S. Serial No.: 29/068,952, Filed: February 28, 1997.

[21] Appl. No.: **68,947**

*Primary Examiner*—Gary D. Watson

[22] Filed: **Feb. 28, 1997**

*Attorney, Agent, or Firm*—Haynes and Boone L.L.P.

[51] LOC (6) Cl. .... **06-01**

[57] **CLAIM**

[52] U.S. Cl. .... **D6/366**

The ornamental design for a chair, as shown and described.

[58] Field of Search ..... D6/334, 364, 365,  
D6/366, 367, 379, 500, 501, 502; 297/411.2,  
411.36, 411.4

### DESCRIPTION

### [56] References Cited

#### U.S. PATENT DOCUMENTS

- D. 211,461 6/1968 Walkinshaw ..... D6/366
- D. 345,060 3/1994 Duncan ..... D6/366
- D. 350,033 8/1994 Beaulieu ..... D6/366
- D. 358,064 5/1995 Larkin ..... D6/366
- D. 362,973 10/1995 Schultz ..... D6/366
- D. 363,383 10/1995 Cronk ..... D6/366

FIG. 1 is a perspective view of a chair showing my new design;

FIG. 2 is a front elevational view thereof;

FIG. 3 is a left side elevational view thereof;

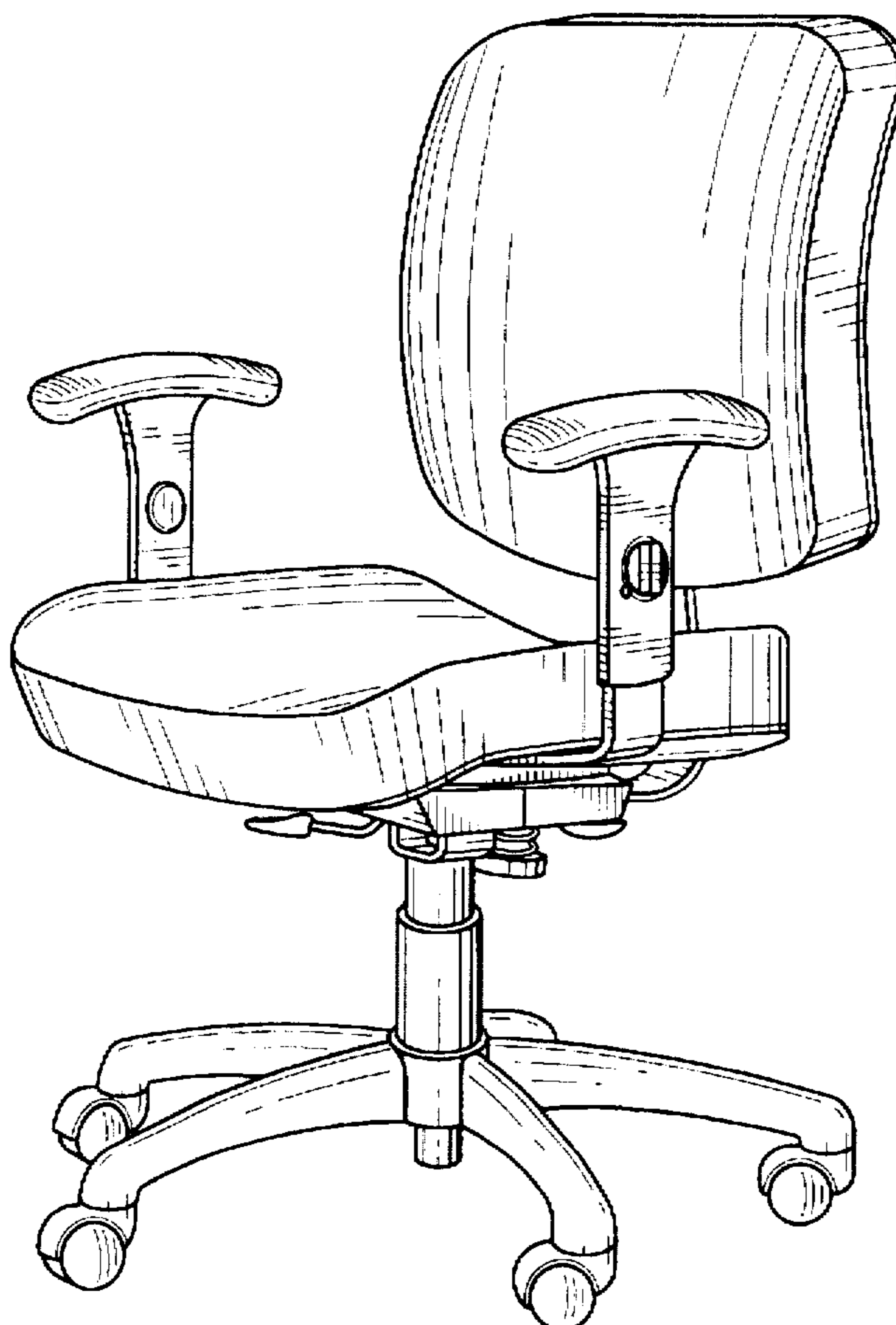
FIG. 4 is a rear elevational view thereof;

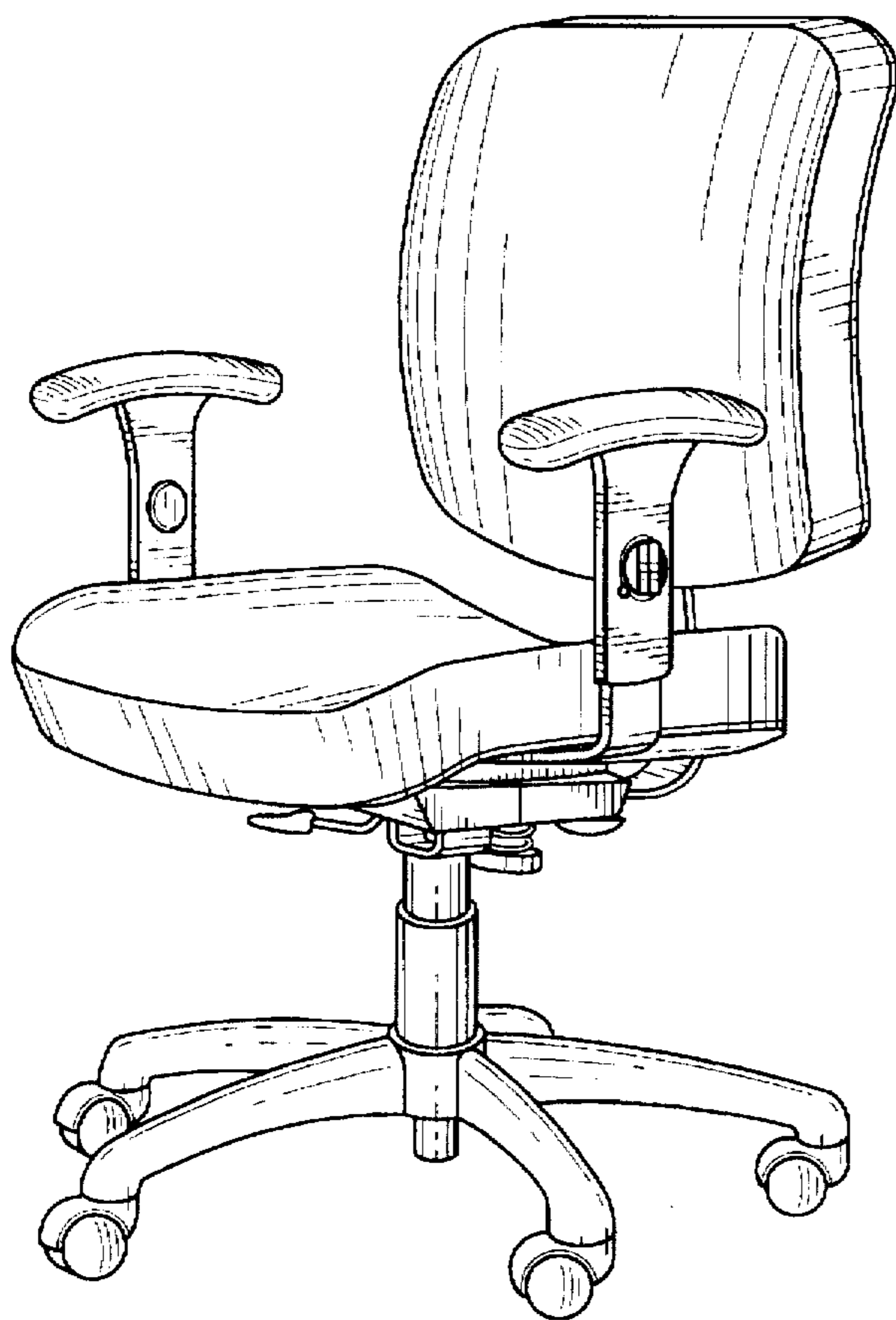
FIG. 5 is a right side elevational view thereof;

FIG. 6 is a top plan view thereof; and,

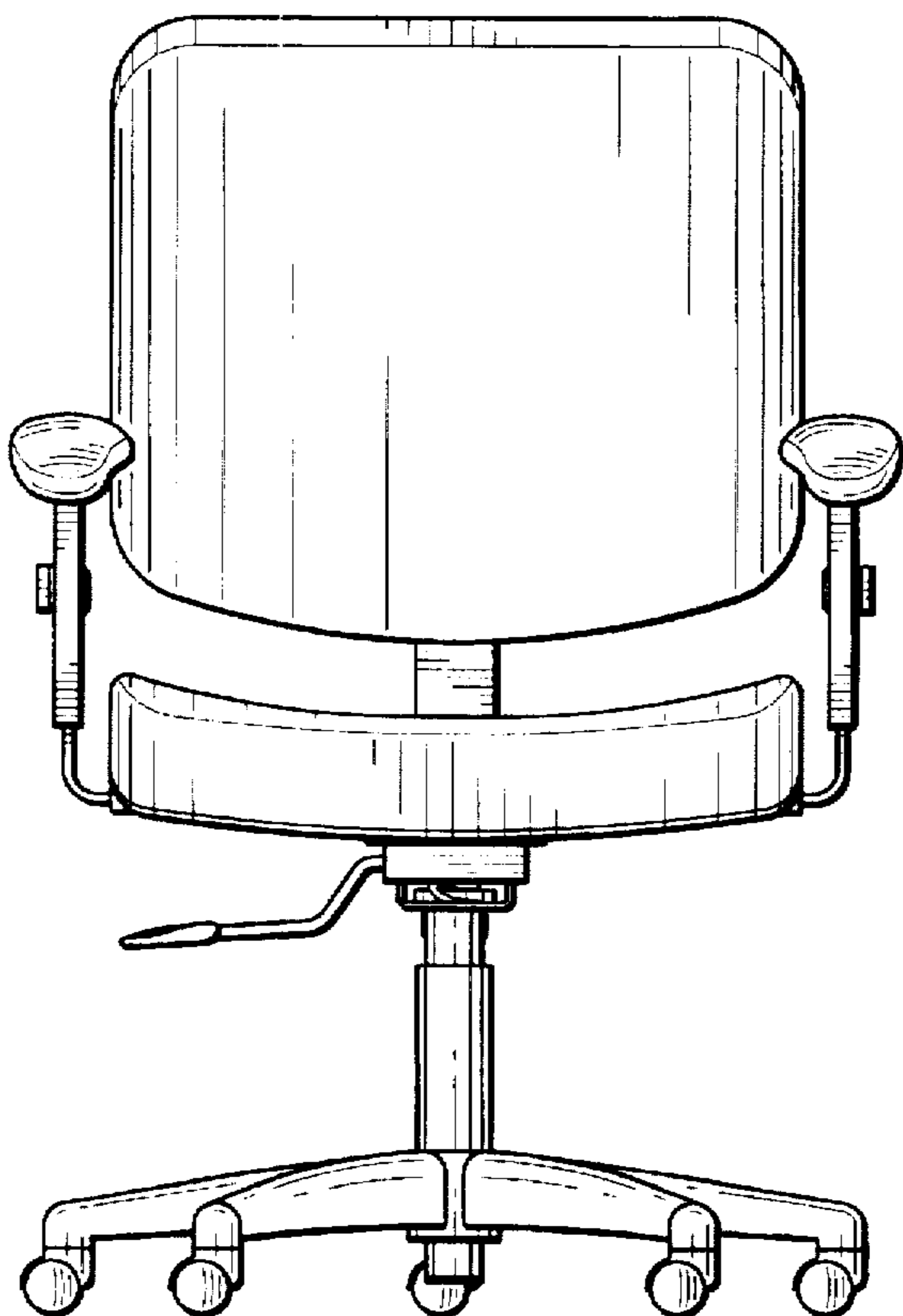
FIG. 7 is a bottom plan view thereof.

**1 Claim, 3 Drawing Sheets**

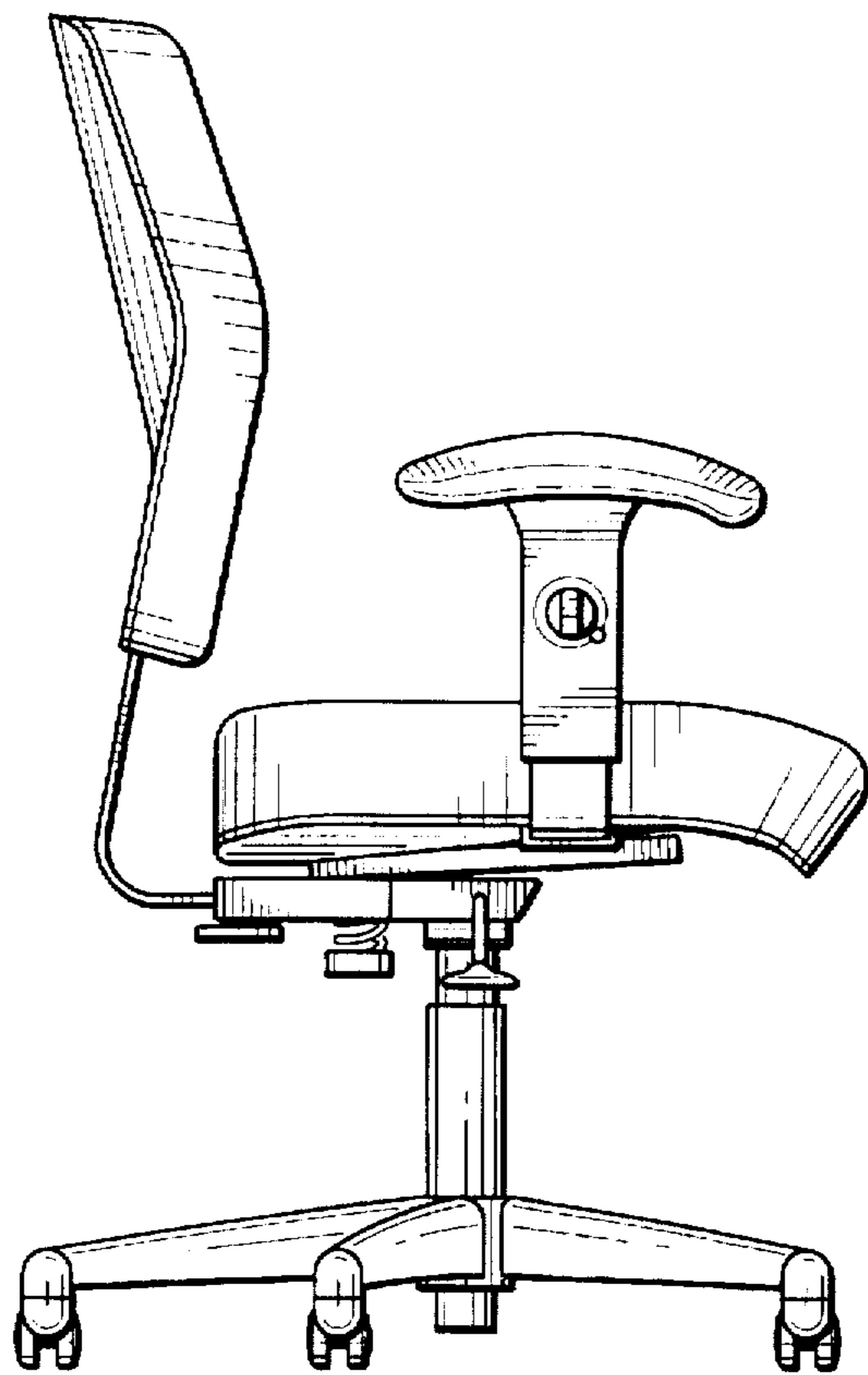




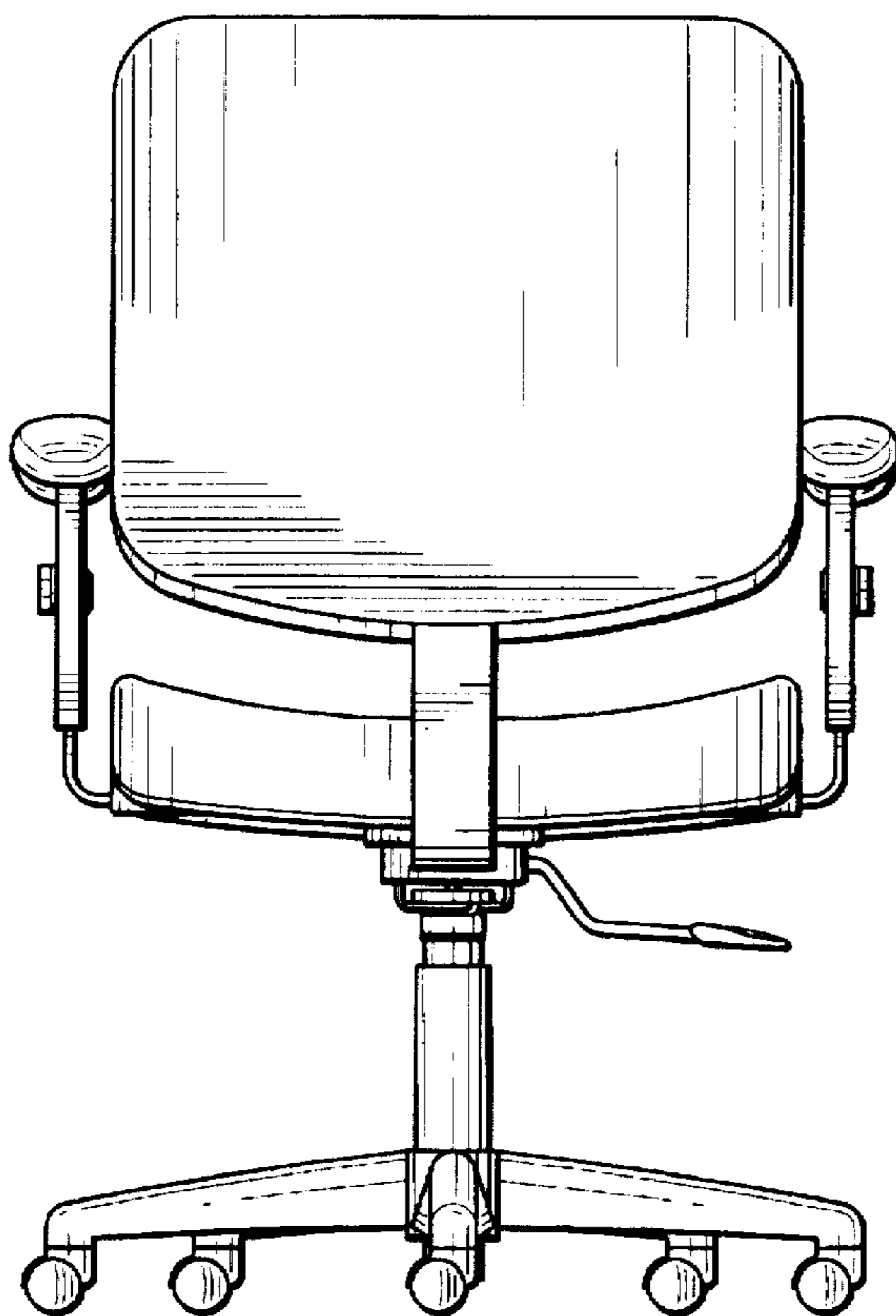
*Fig. 1*



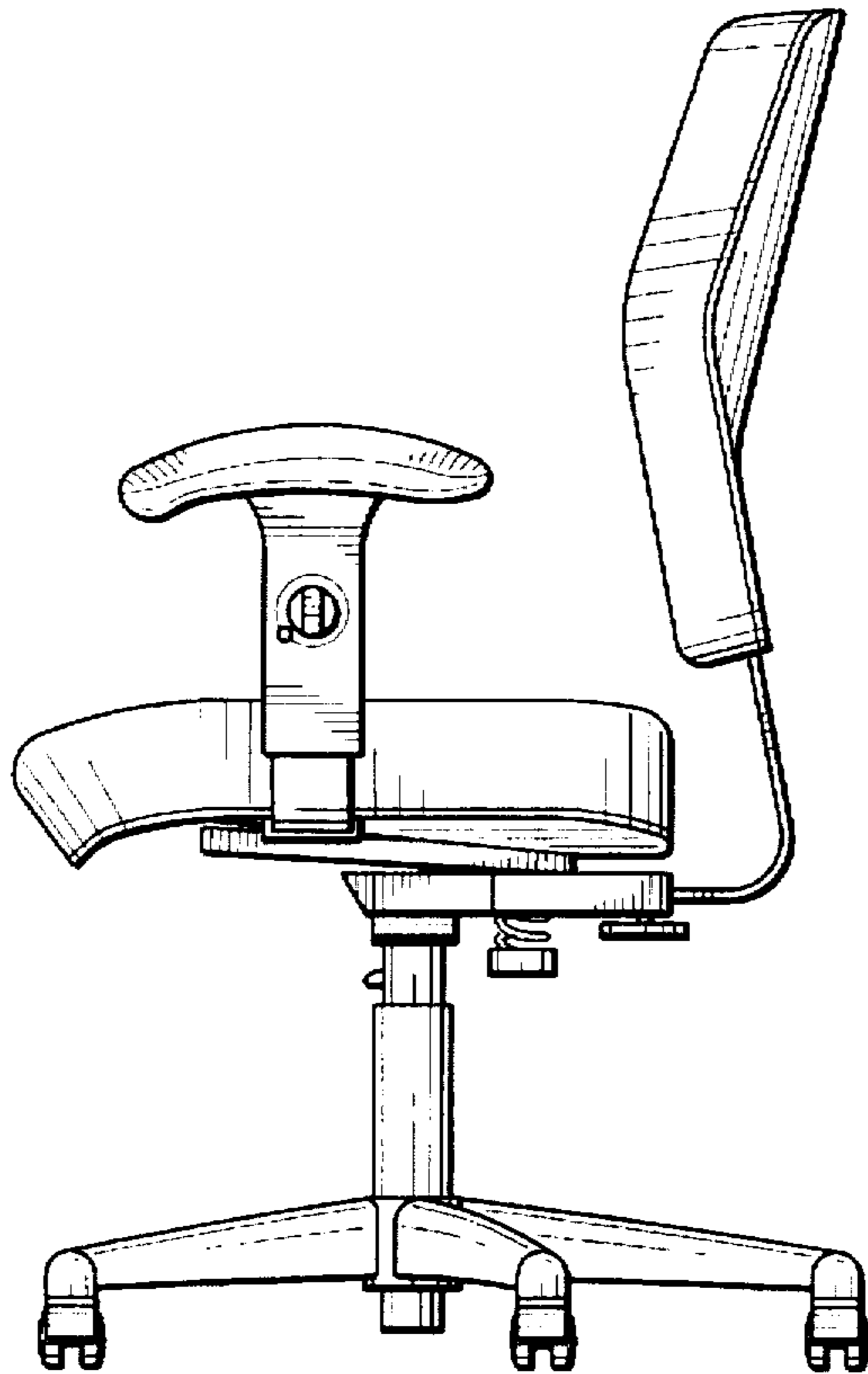
*Fig. 2*



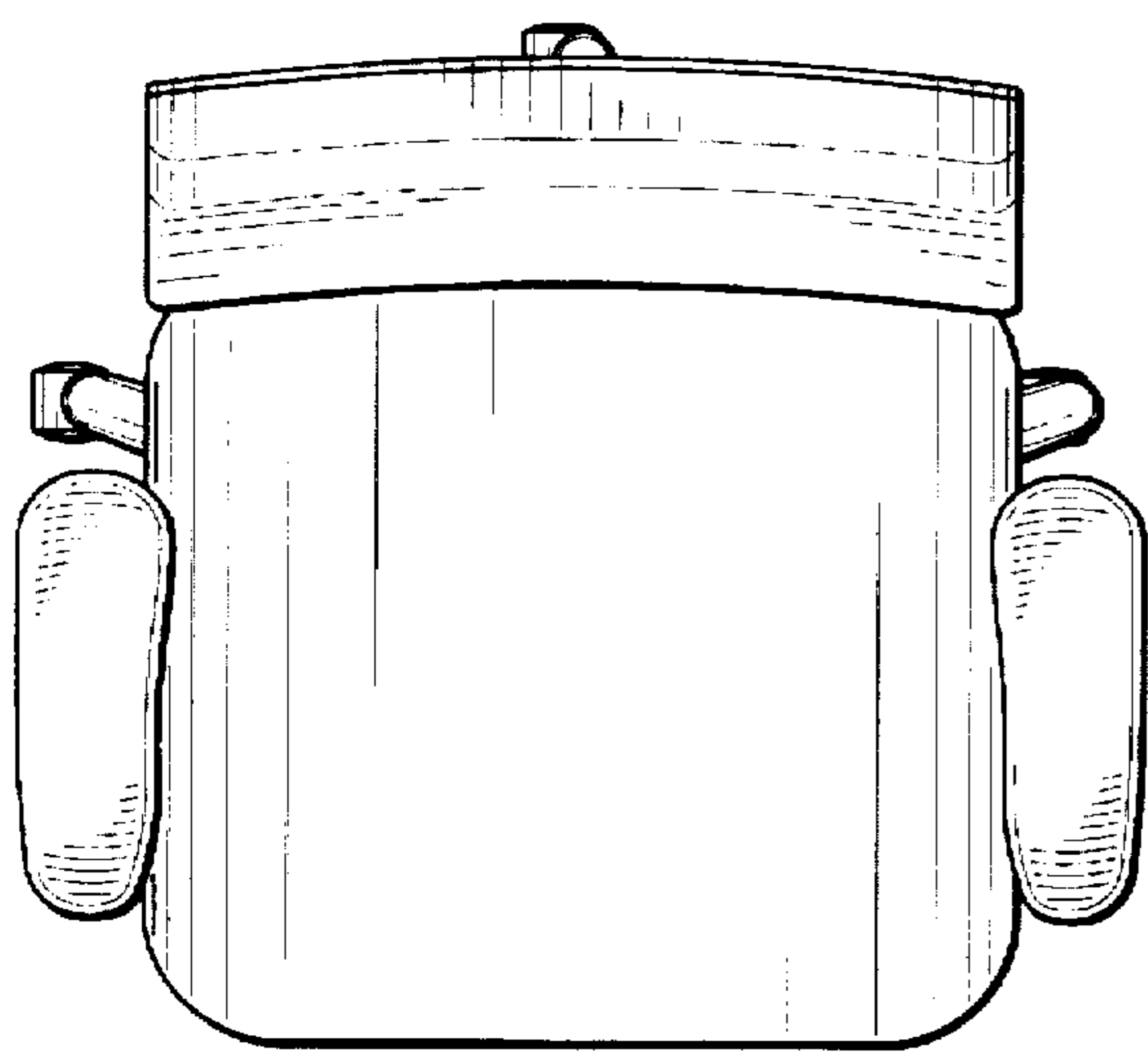
*Fig. 3*



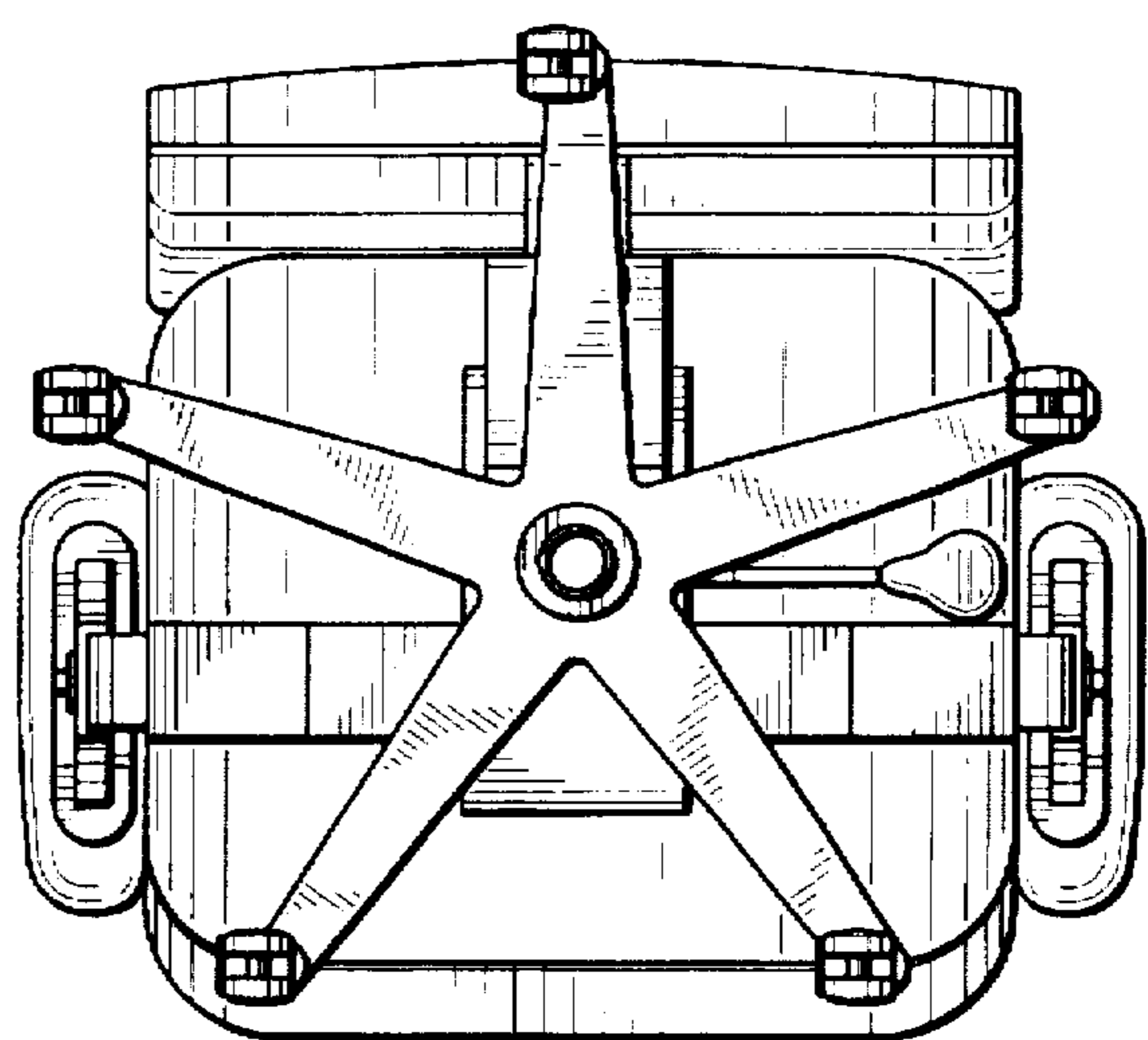
*Fig. 4*



*Fig. 5*



*Fig. 6*



*Fig. 7*