



US00D395760S

United States Patent [19]
Hickey

[11] **Patent Number:** **Des. 395,760**
[45] **Date of Patent:** ****Jul. 7, 1998**

[54] **CHAIR**
[76] **Inventor:** **David Patrick Hickey**, 1025 SE. 30th Pl., Troutdale, Oreg. 97060
[**] **Term:** **14 Years**
[21] **Appl. No.:** **71,712**
[22] **Filed:** **Jun. 5, 1997**
[51] **LOC (6) Cl.** **06-01**
[52] **U.S. Cl.** **D6/360; D6/339**
[58] **Field of Search** **D6/333, 334, 335, D6/339, 360, 374, 379, 500, 501, 502; 297/39, 148, 149, 217.3, 217.4, 423.19, 445.1**

D. 363,400 10/1995 Morgan D6/500
D. 373,908 9/1996 Morgan D6/339

Primary Examiner—Gary D. Watson

[57] **CLAIM**

The ornamental design for a chair, as shown.

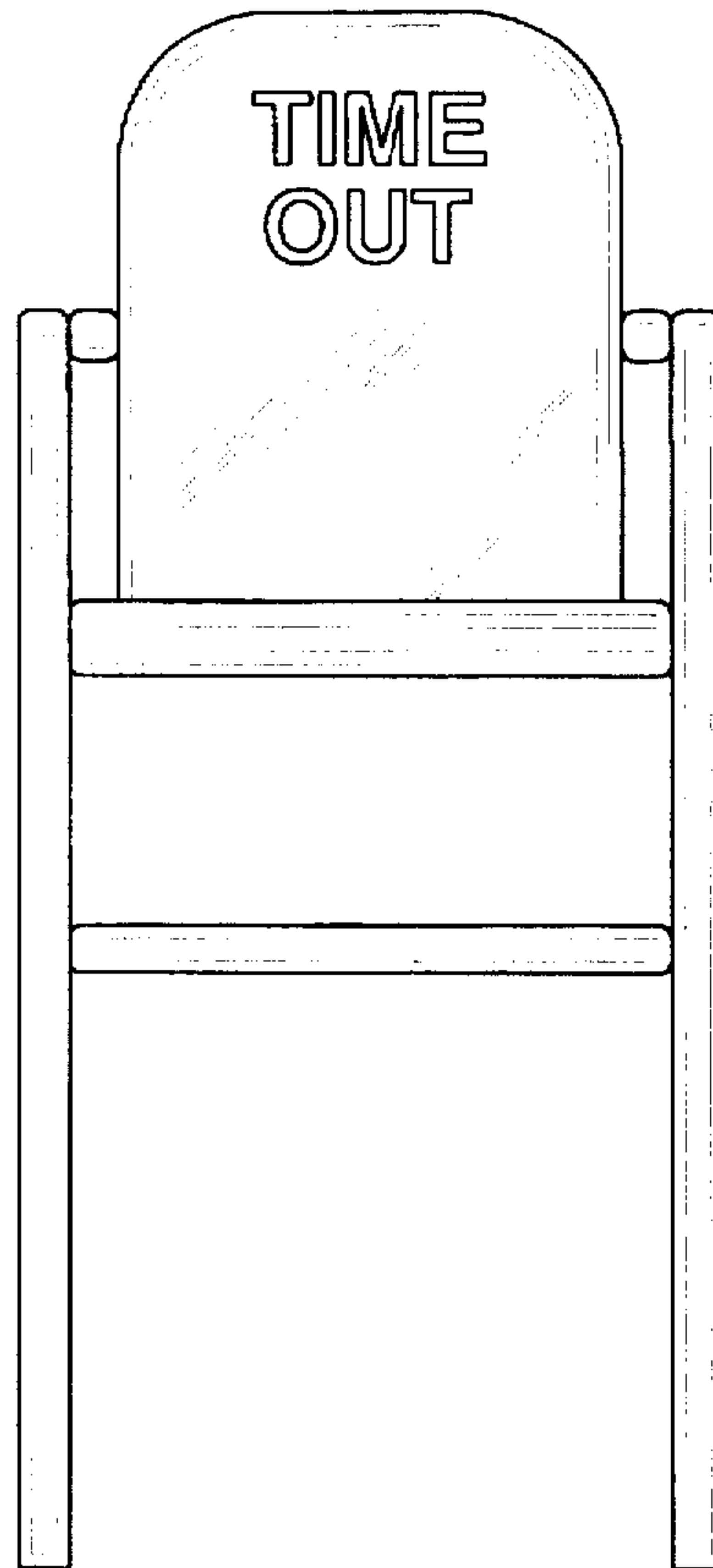
DESCRIPTION

FIG. 1 is a front elevational view of the chair of the present invention;
FIG. 2 is a back elevational view of the chair of FIG. 1;
FIG. 3 is a left side elevational view of the chair of FIG. 1;
FIG. 4 is a right side elevational view of the chair of FIG. 1;
FIG. 5 is a top plan view of the chair of FIG. 1; and,
FIG. 6 is a bottom plan view of the chair of FIG. 1.

[56] **References Cited**
U.S. PATENT DOCUMENTS

D. 234,888 4/1975 Simula D6/380

1 Claim, 3 Drawing Sheets



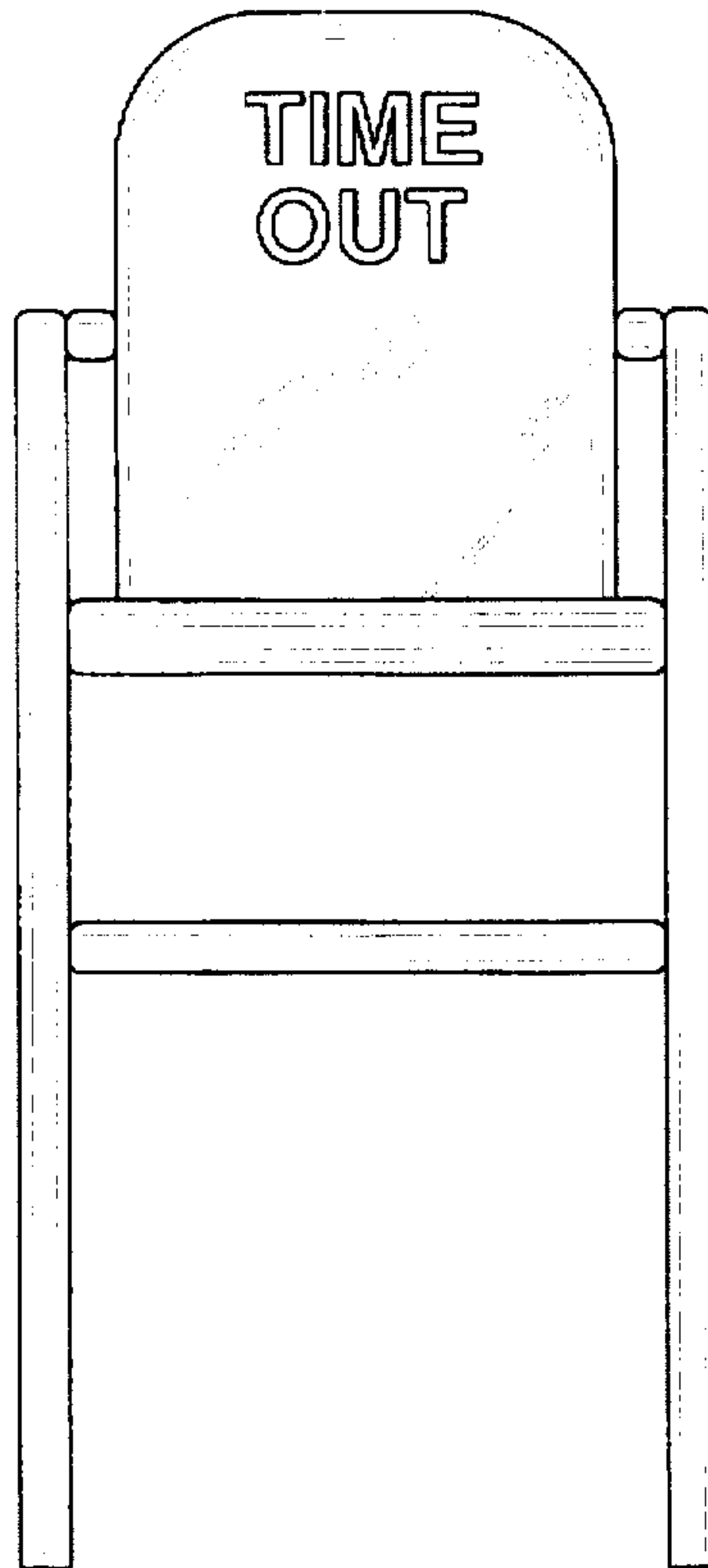


Fig. 1

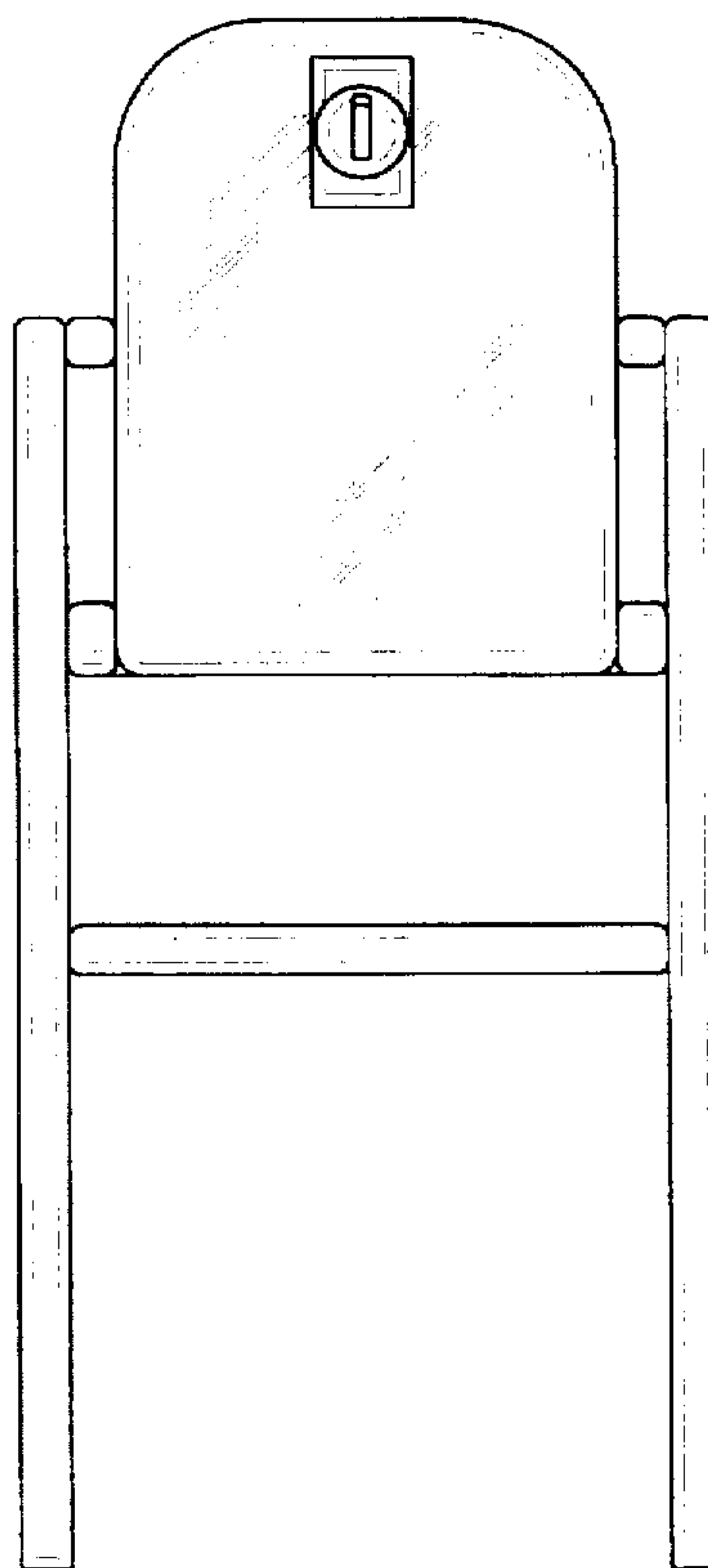


Fig. 2

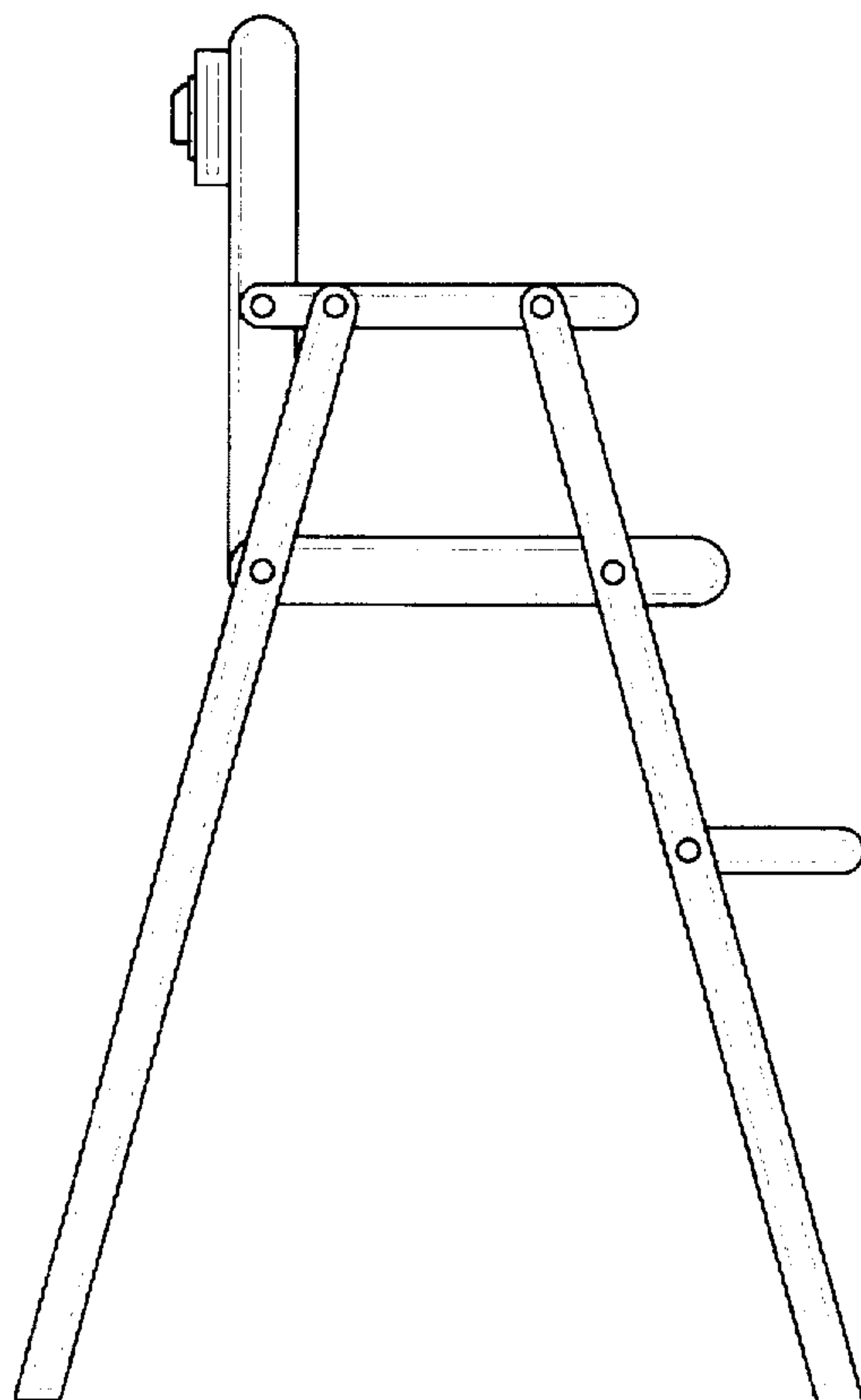


Fig. 3

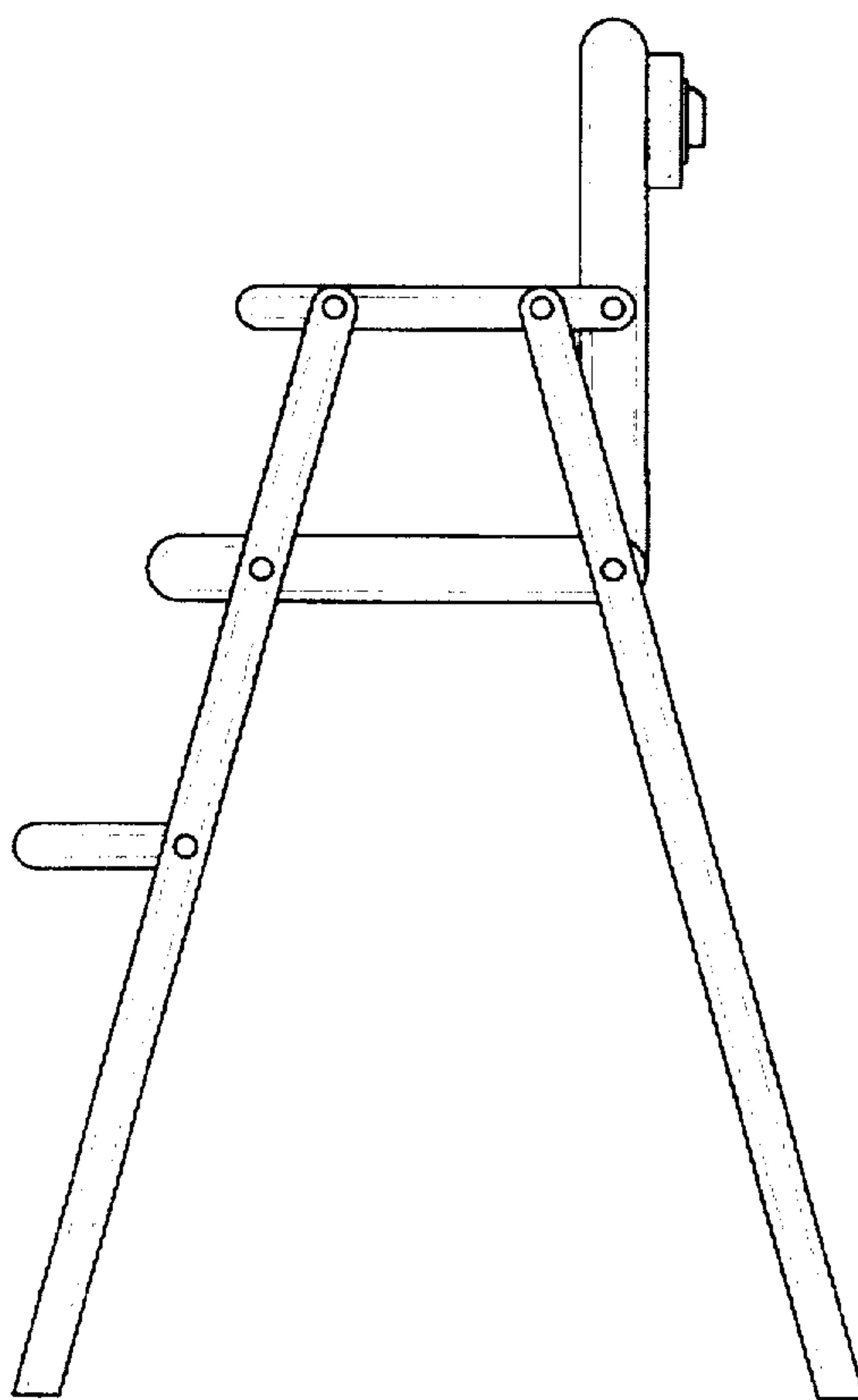


Fig. 4

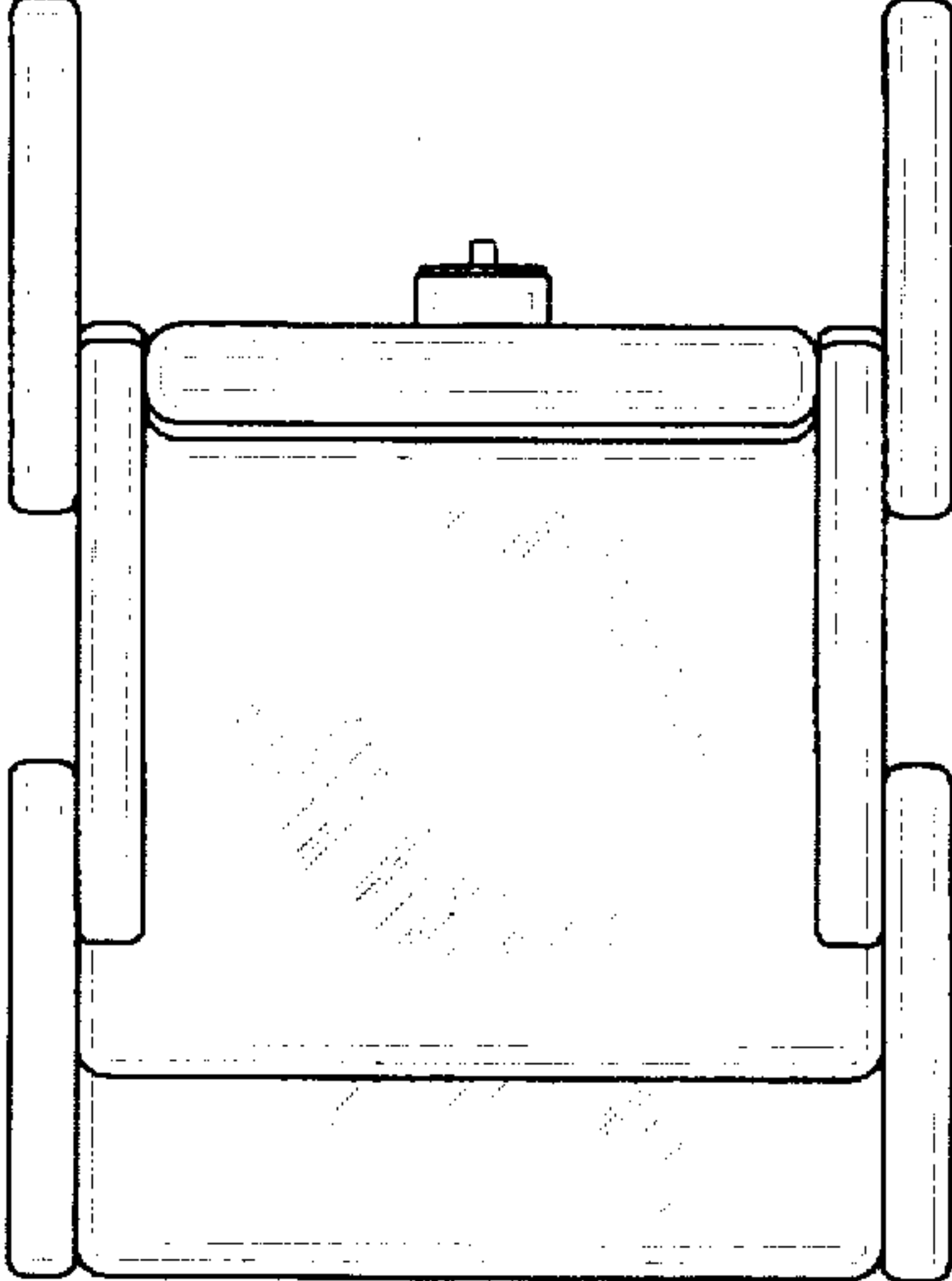


Fig. 5

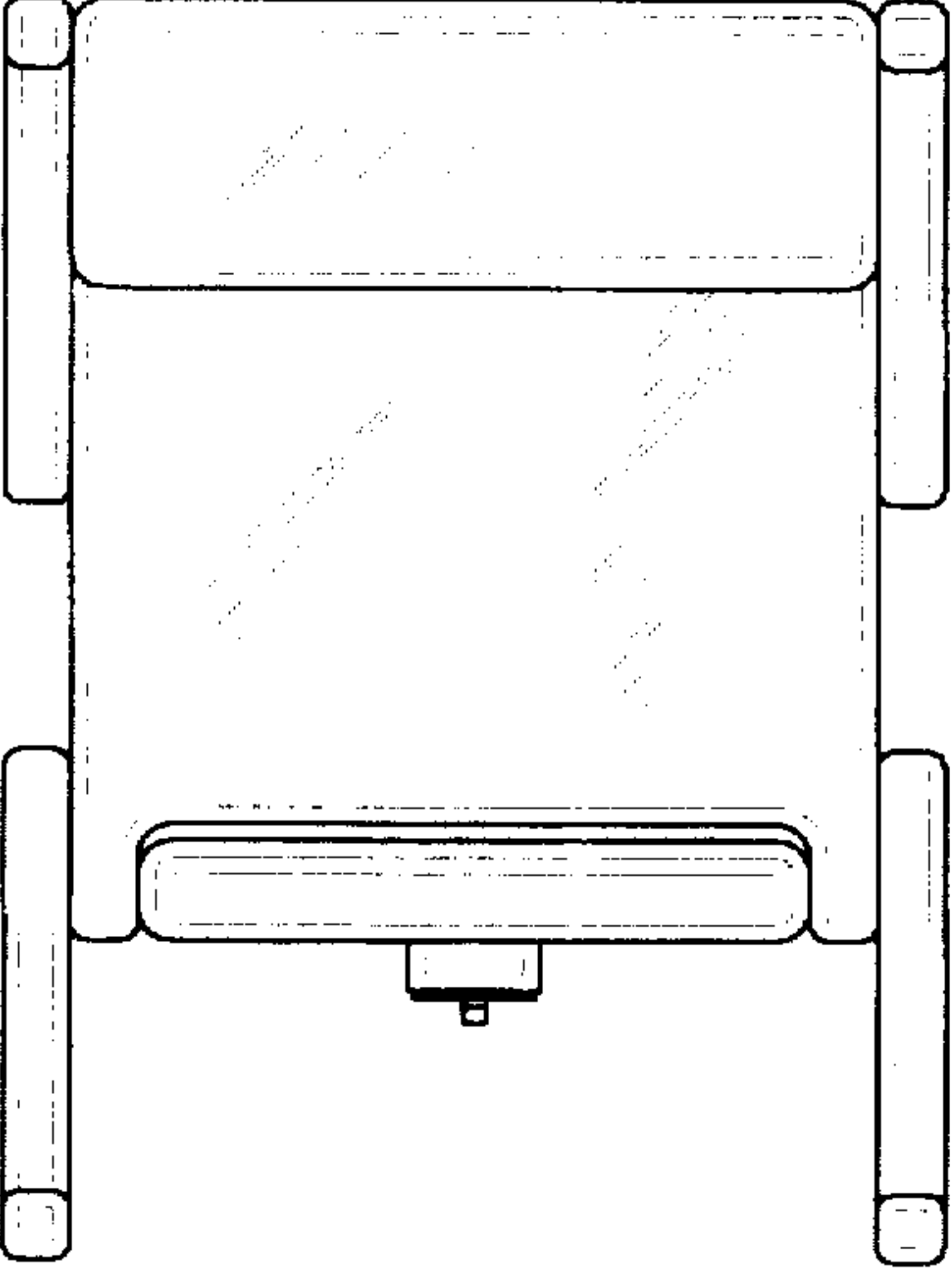


Fig. 6