



US00D395755S

# United States Patent [19]

Hulin

[11] Patent Number: **Des. 395,755**

[45] Date of Patent: **\*\*Jul. 7, 1998**

[54] **COSMETIC CASE**

[76] Inventor: **Barbara J. Hulin**, 1400 E. West Highway #725, Silver Spring, Md. 29010

[\*\*] Term: **14 Years**

[21] Appl. No.: **68,845**

[22] Filed: **Apr. 1, 1997**

[51] LOC (6) Cl. .... **03-01**

[52] U.S. Cl. .... **D3/295; D3/901; D28/73**

[58] Field of Search ..... **D3/294, 295, 296, D3/901; D28/73, 77, 83; 206/1.8, 581, 235; 220/DIG. 26, 500, 507, 527, 528, 533**

### [56] References Cited

#### U.S. PATENT DOCUMENTS

D. 212,068	8/1968	Ash	.....	D3/901
D. 252,409	7/1979	Rose et al.	.....	D3/39
D. 258,324	2/1981	Nadar	.....	D3/39
D. 281,915	12/1985	Sussman	.....	D3/296
D. 295,796	5/1988	Wadsworth et al.	.....	D28/77
D. 302,483	7/1989	Zall	.....	D28/76
D. 305,281	1/1990	Chen	.....	D28/76
D. 313,288	12/1990	Bakic	.....	D28/77

D. 321,415	11/1991	Chen	.....	D28/76
D. 332,865	2/1993	Favre	.....	D28/76
D. 344,412	2/1994	Barnhart	.....	D3/275
D. 351,283	10/1994	Wolff	.....	D3/281
D. 365,892	1/1996	Markham	.....	D3/295
3,592,201	7/1971	Haddaway	.....	D28/76
4,526,273	7/1985	Tsuji et al.	.....	206/229
5,257,721	11/1993	Smith et al.	.....	206/1.8

Primary Examiner—Philip S. Hyder  
Attorney, Agent, or Firm—David L. Volk

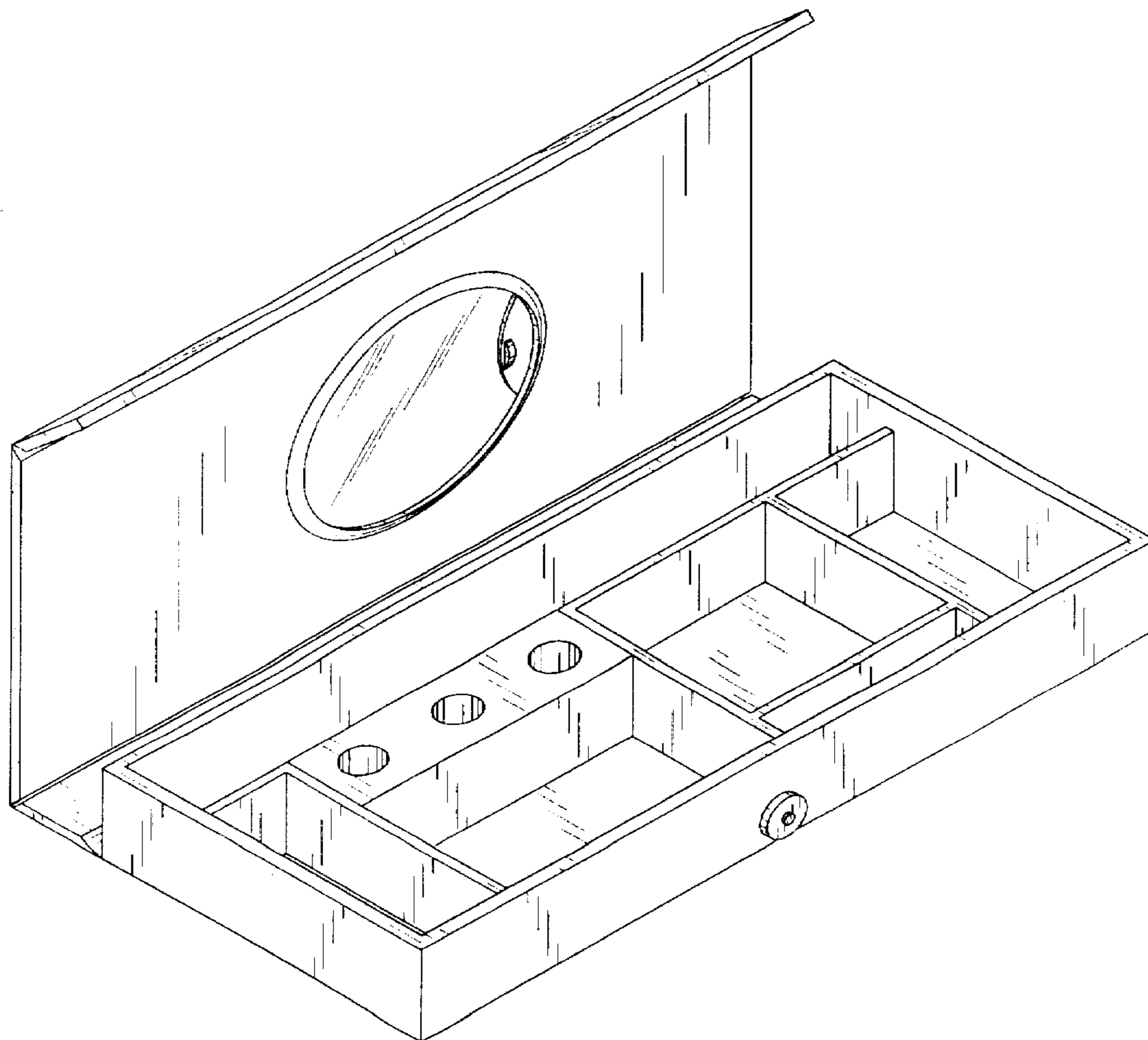
### [57] CLAIM

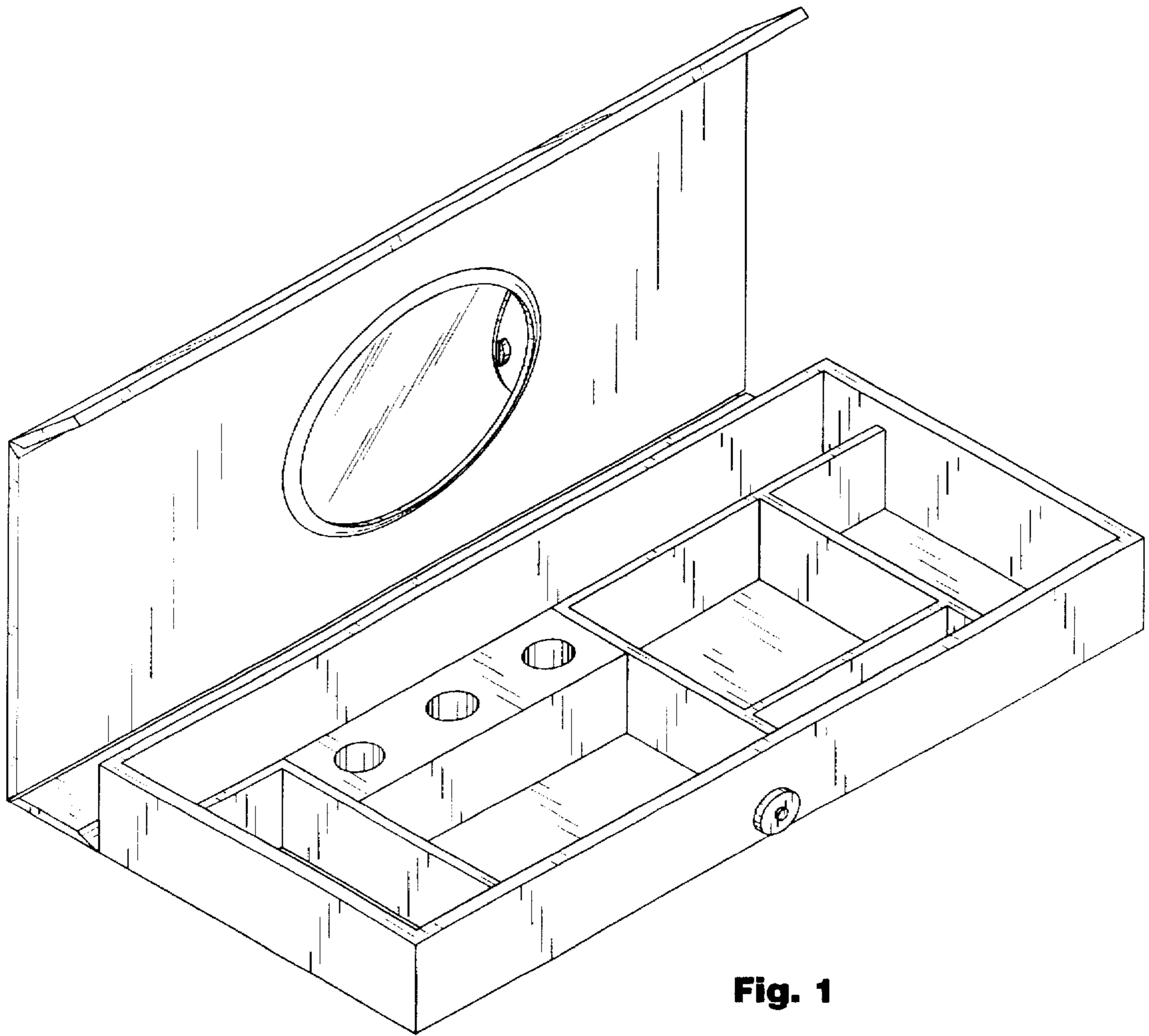
The ornamental design for a cosmetic case, as shown and described.

### DESCRIPTION

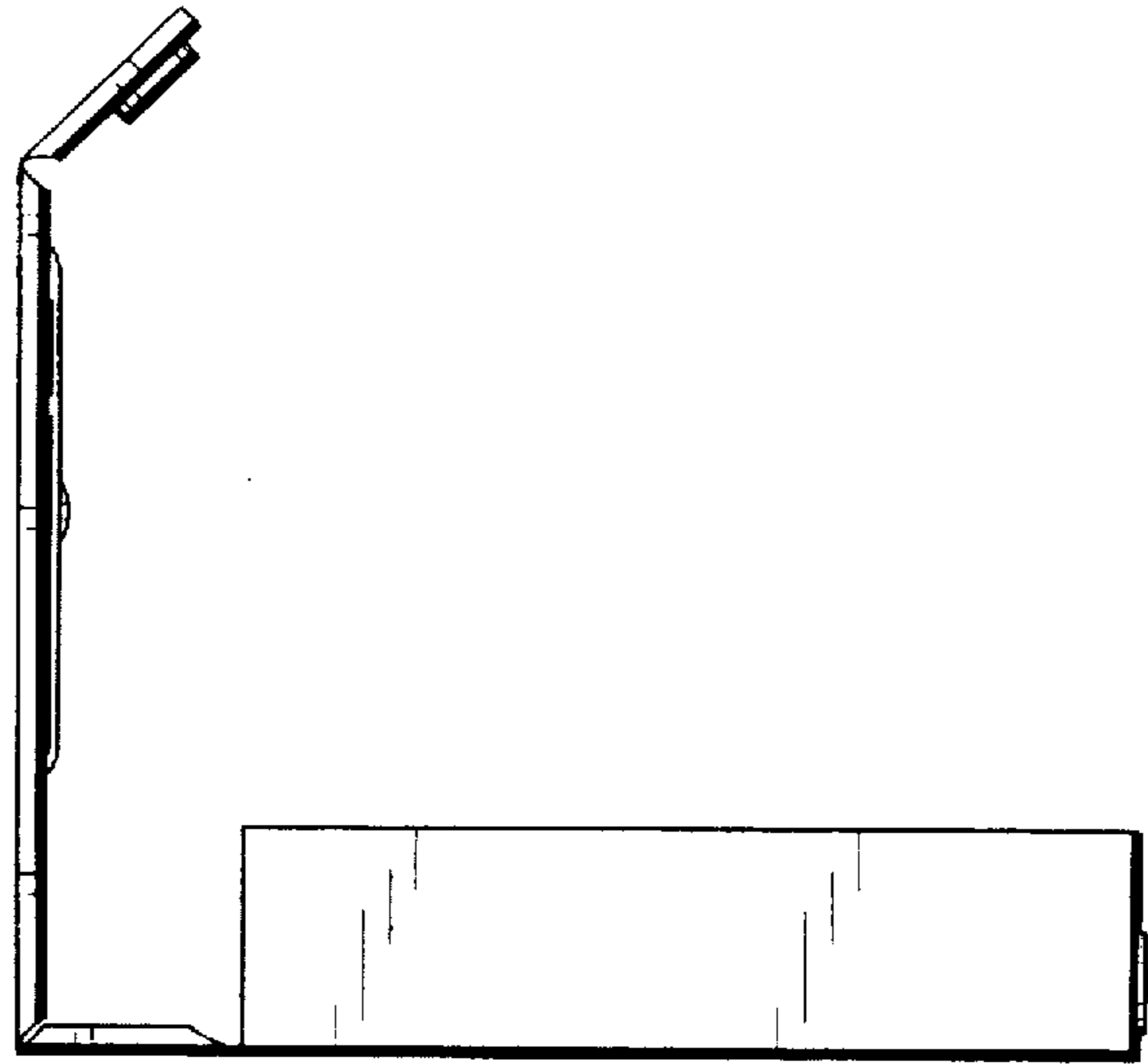
FIG. 1 is a perspective view of a cosmetic case showing my new design;  
 FIG. 2 is a left side elevational view thereof, the opposite side being a mirror image;  
 FIG. 3 is a front elevational view thereof;  
 FIG. 4 is a rear elevational view thereof;  
 FIG. 5 is a top plan view thereof;  
 FIG. 6 is a bottom plan view thereof;  
 FIG. 7 is a perspective view thereof, shown with the mirror cover closed; and,  
 FIG. 8 is a perspective view thereof, shown with the case cover closed.

**1 Claim, 5 Drawing Sheets**

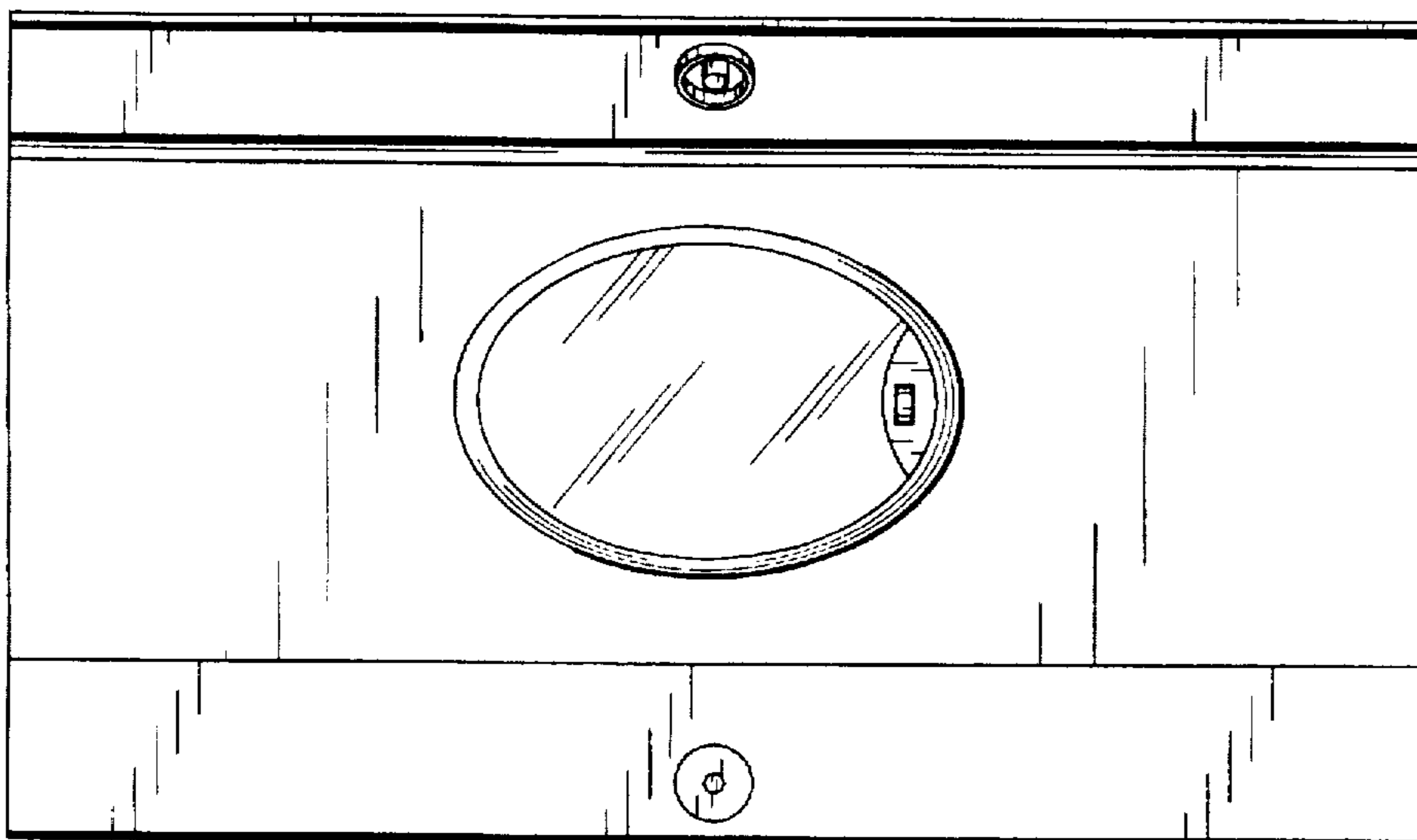




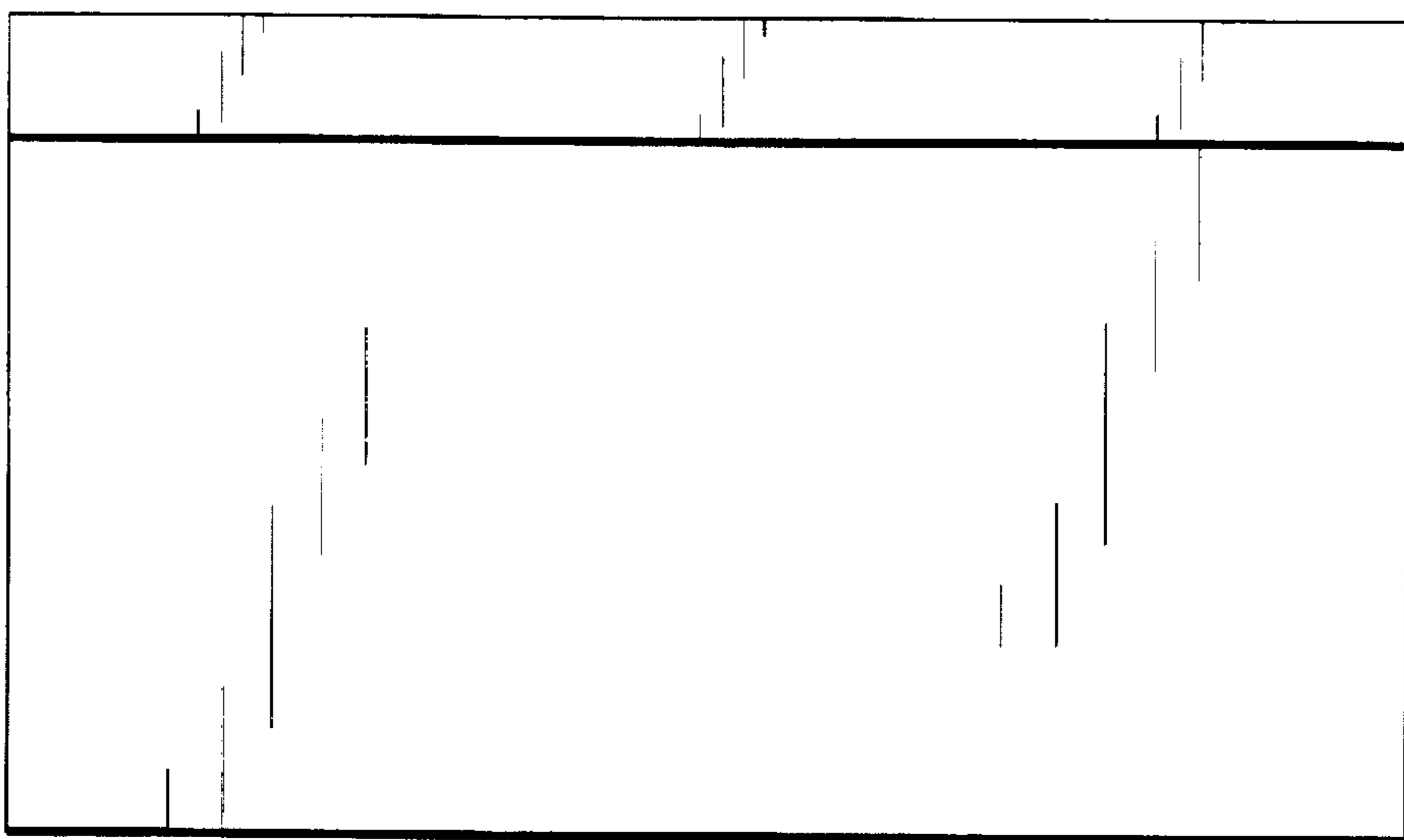
**Fig. 1**



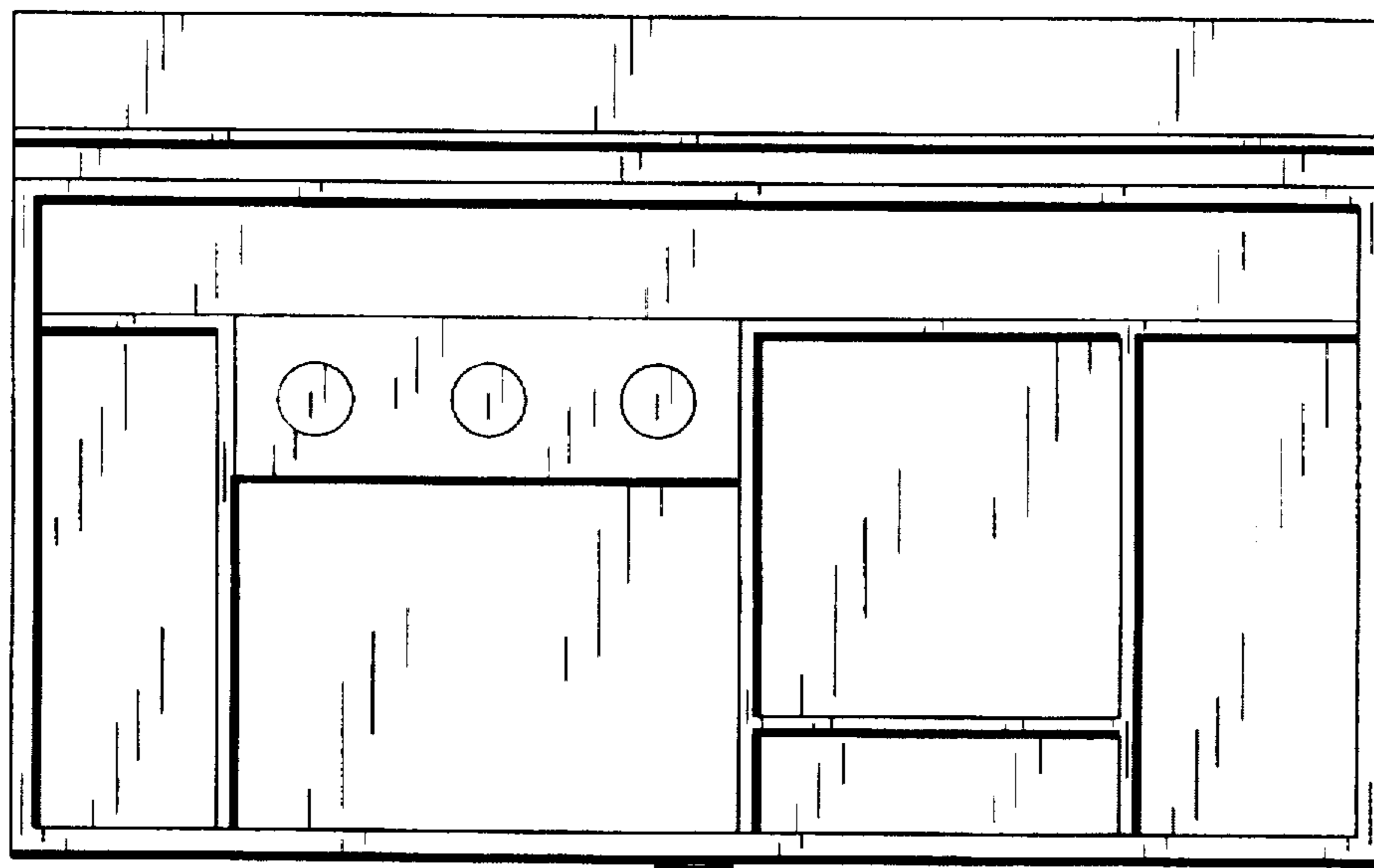
**Fig. 2**



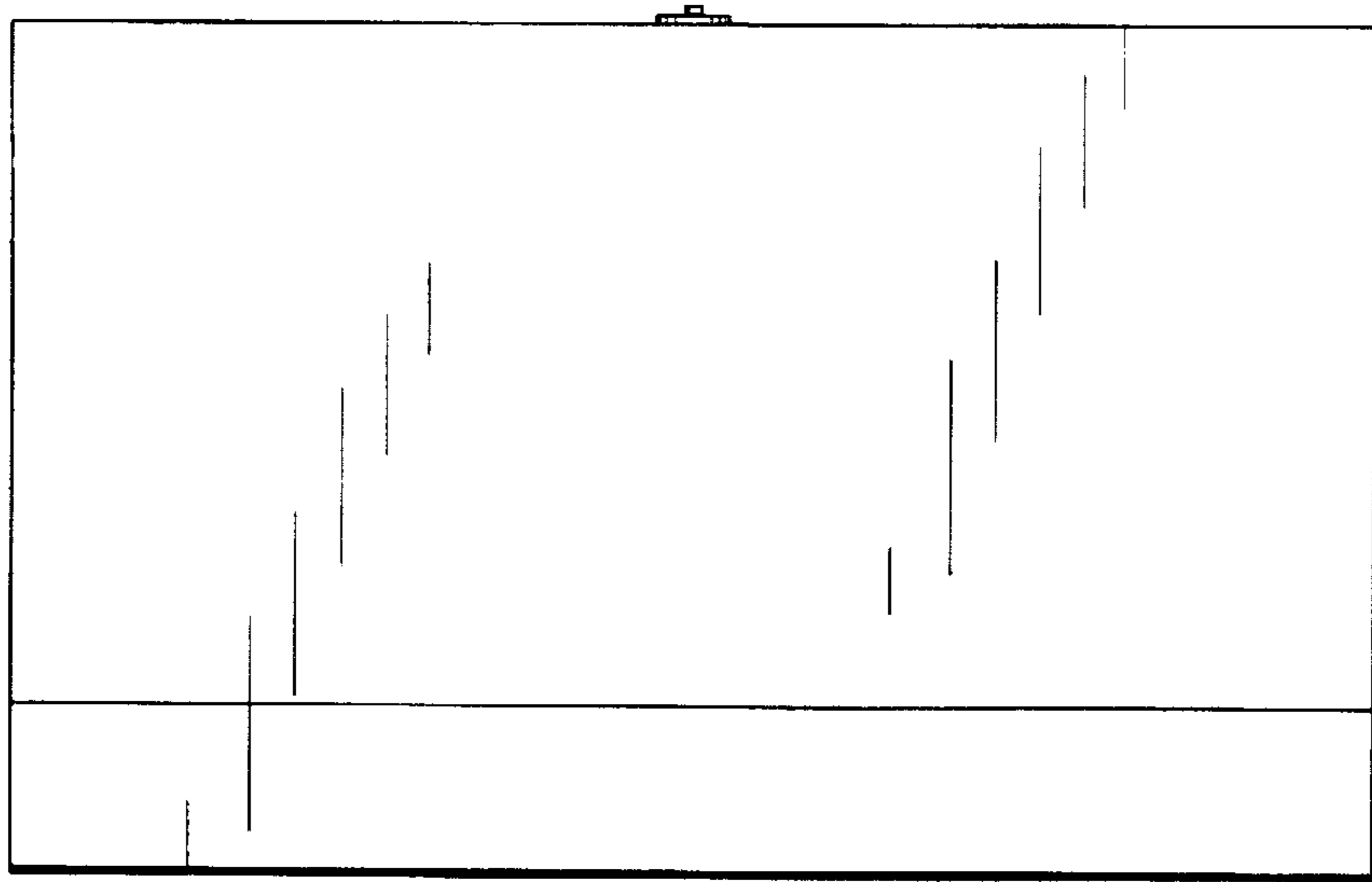
**Fig. 3**



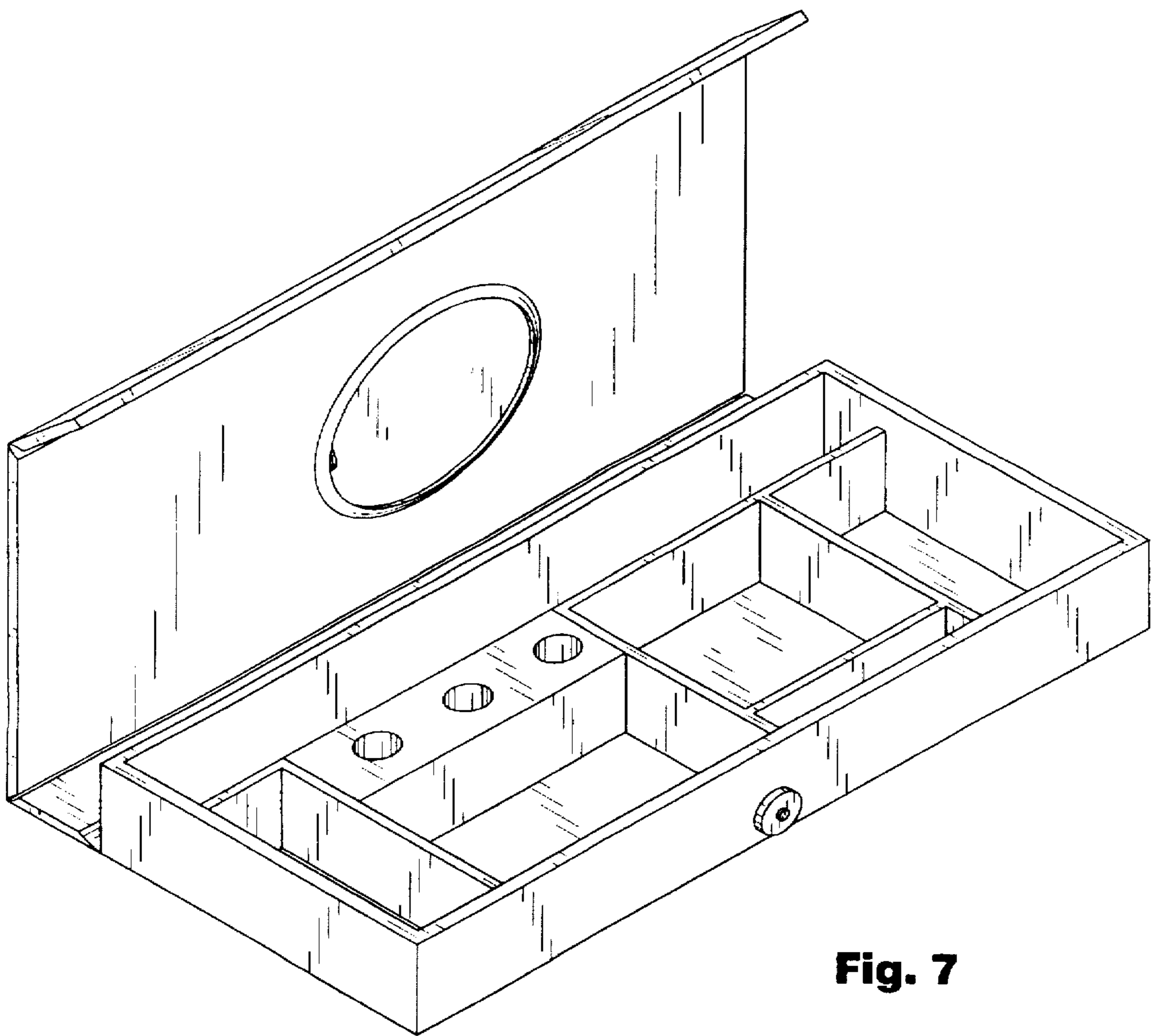
**Fig. 4**



**Fig. 5**

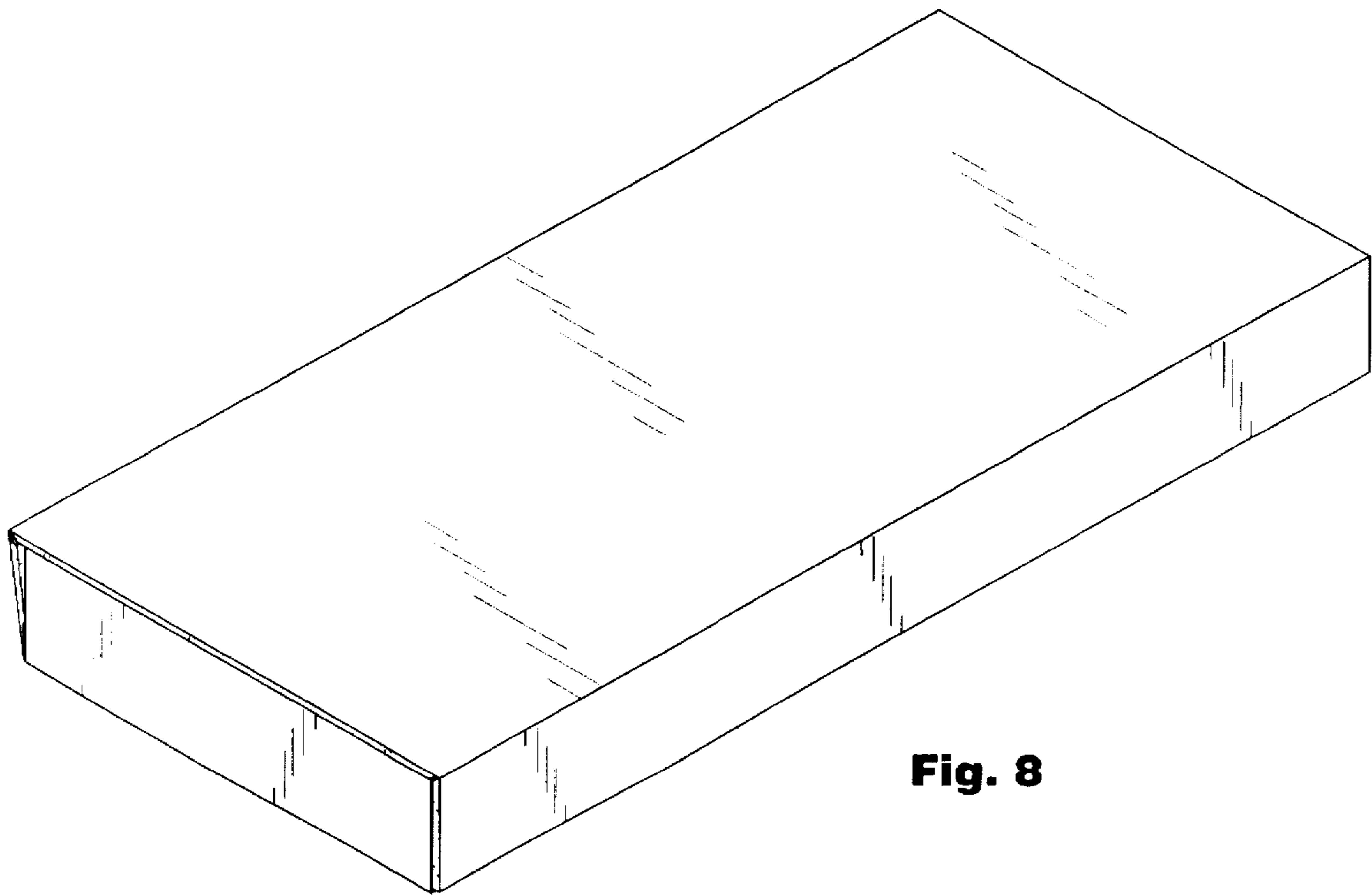


**Fig. 6**



**Fig. 7**





**Fig. 8**