



US00D395753S

**United States Patent** [19]  
**Fang**

[11] **Patent Number: Des. 395,753**  
[45] **Date of Patent: \*\*Jul. 7, 1998**

[54] **TOOL BOX**

[76] **Inventor: Zen-Chieh Fang**, No. 2, Lane 565,  
Chung Cheng Rd., Wu Feng Hsiang,  
Taichung Hsien, Taiwan

[\*\*] **Term: 14 Years**

[21] **Appl. No.: 69,576**

[22] **Filed: Apr. 29, 1997**

[51] **LOC (6) Cl. .... 03-01**

[52] **U.S. Cl. .... D3/291; D3/281**

[58] **Field of Search .... D3/291, 273, 276,  
D3/281, 282, 294, 905; 206/315.1, 349,  
372, 373; 190/110, 111, 112**

[56] **References Cited**

**U.S. PATENT DOCUMENTS**

D. 216,853	3/1970	Schurman	.....	D3/281
D. 246,548	11/1977	Uyeda	.....	D3/281
D. 266,544	10/1982	Crutchfield	.....	D3/281
D. 286,231	10/1986	Werk	.....	D3/281
D. 314,082	1/1991	Kime	.....	D3/282

D. 326,559	6/1992	Szablak et al.	.....	D3/281
D. 364,957	12/1995	Turbowitz	.....	D3/281
4,832,193	5/1989	Kime	.....	206/373
4,846,346	7/1989	Kime	.....	206/373

*Primary Examiner*—Philip S. Hyder  
*Attorney, Agent, or Firm*—Morton J. Rosenberg; David I. Klein; Jun Y. Lee

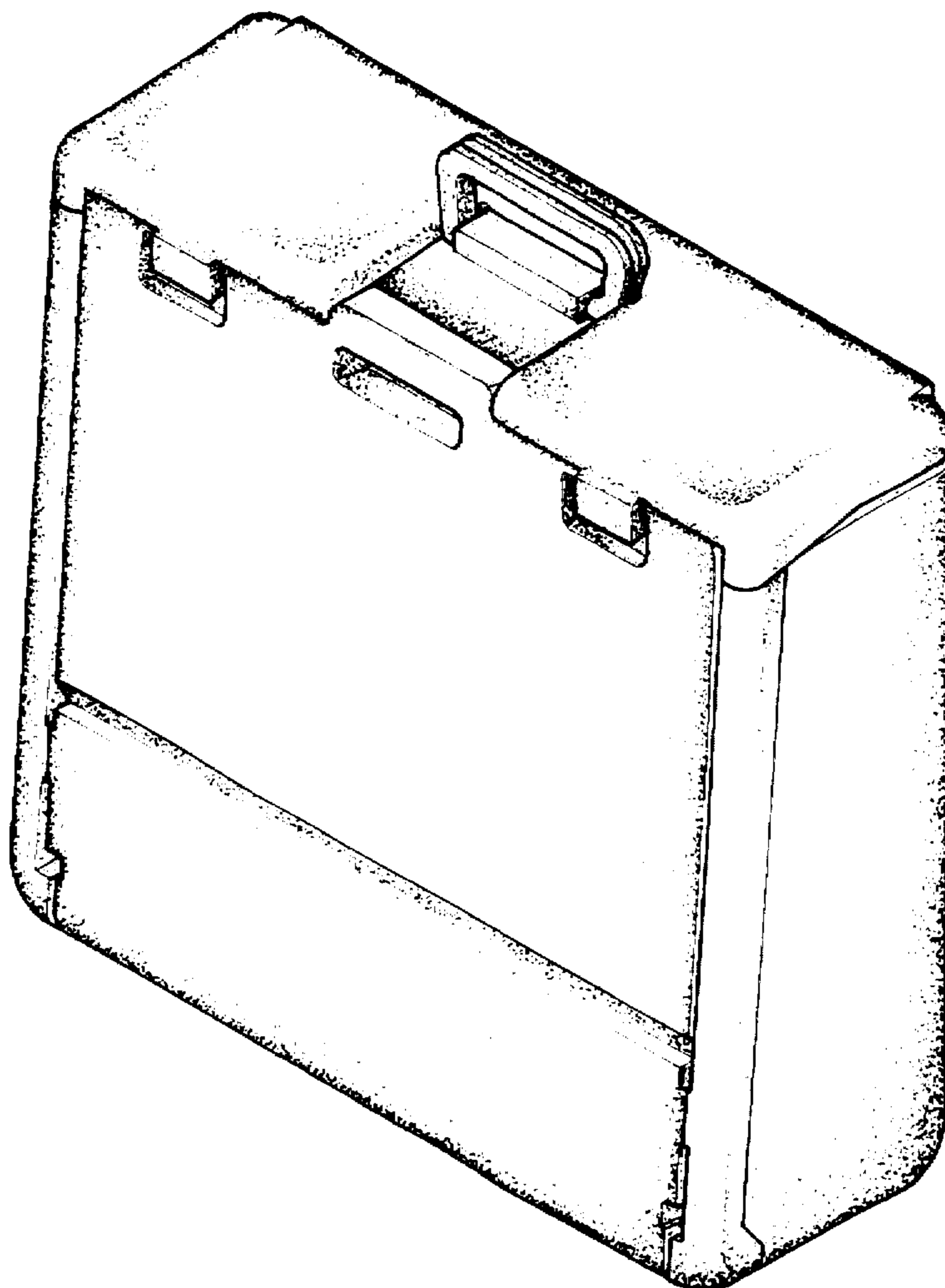
[57] **CLAIM**

The ornamental design for a tool box, as shown and described.

**DESCRIPTION**

FIG. 1 is a front-right-top perspective view of a tool box, showing my new design;  
FIG. 2 is a front elevational view thereof;  
FIG. 3 is a rear elevational view thereof;  
FIG. 4 is a left side elevational view thereof;  
FIG. 5 is a right side elevational view thereof;  
FIG. 6 is a top plan view thereof; and,  
FIG. 7 is a bottom plan view thereof.

**1 Claim, 5 Drawing Sheets**



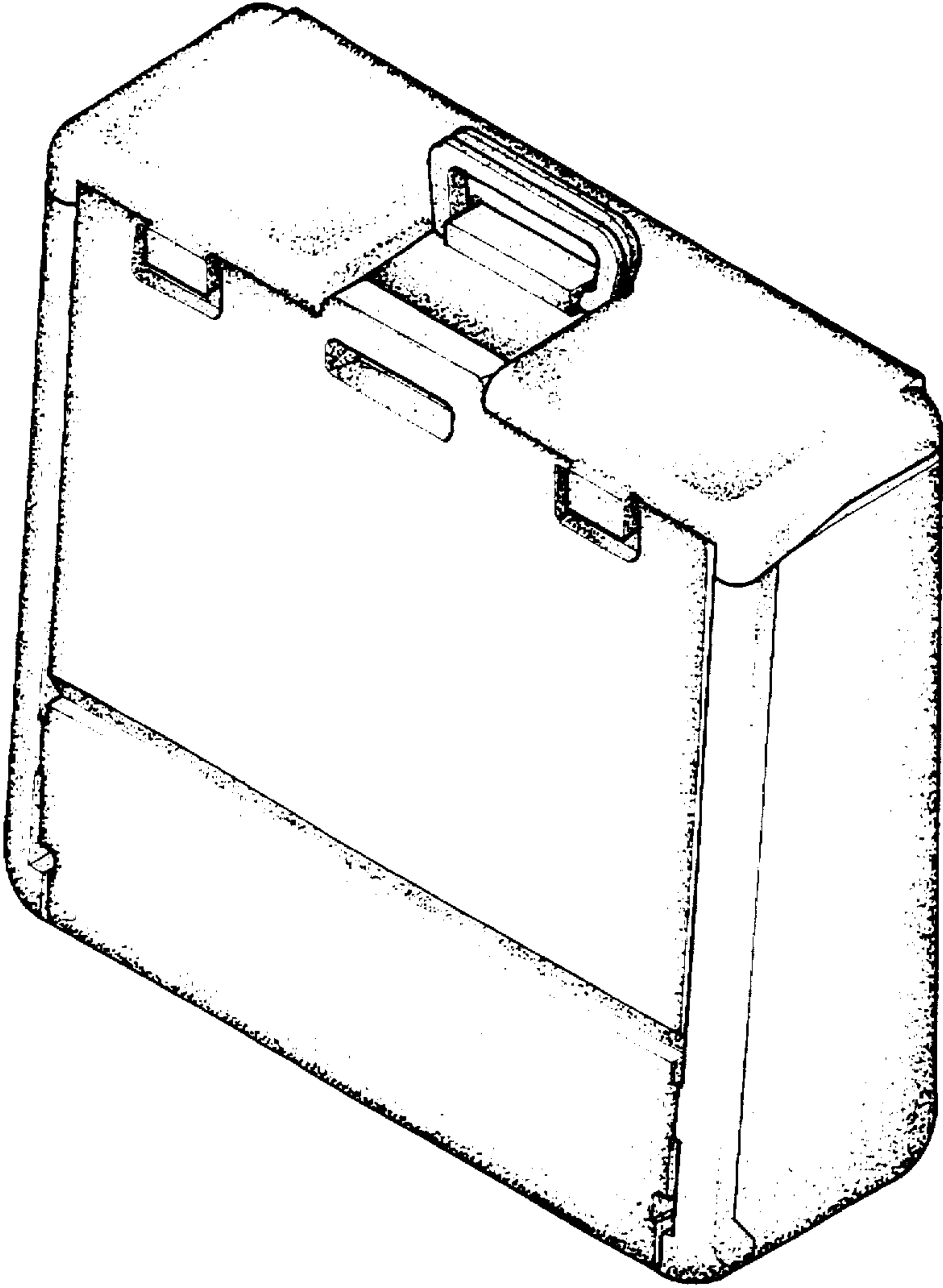


FIG.1

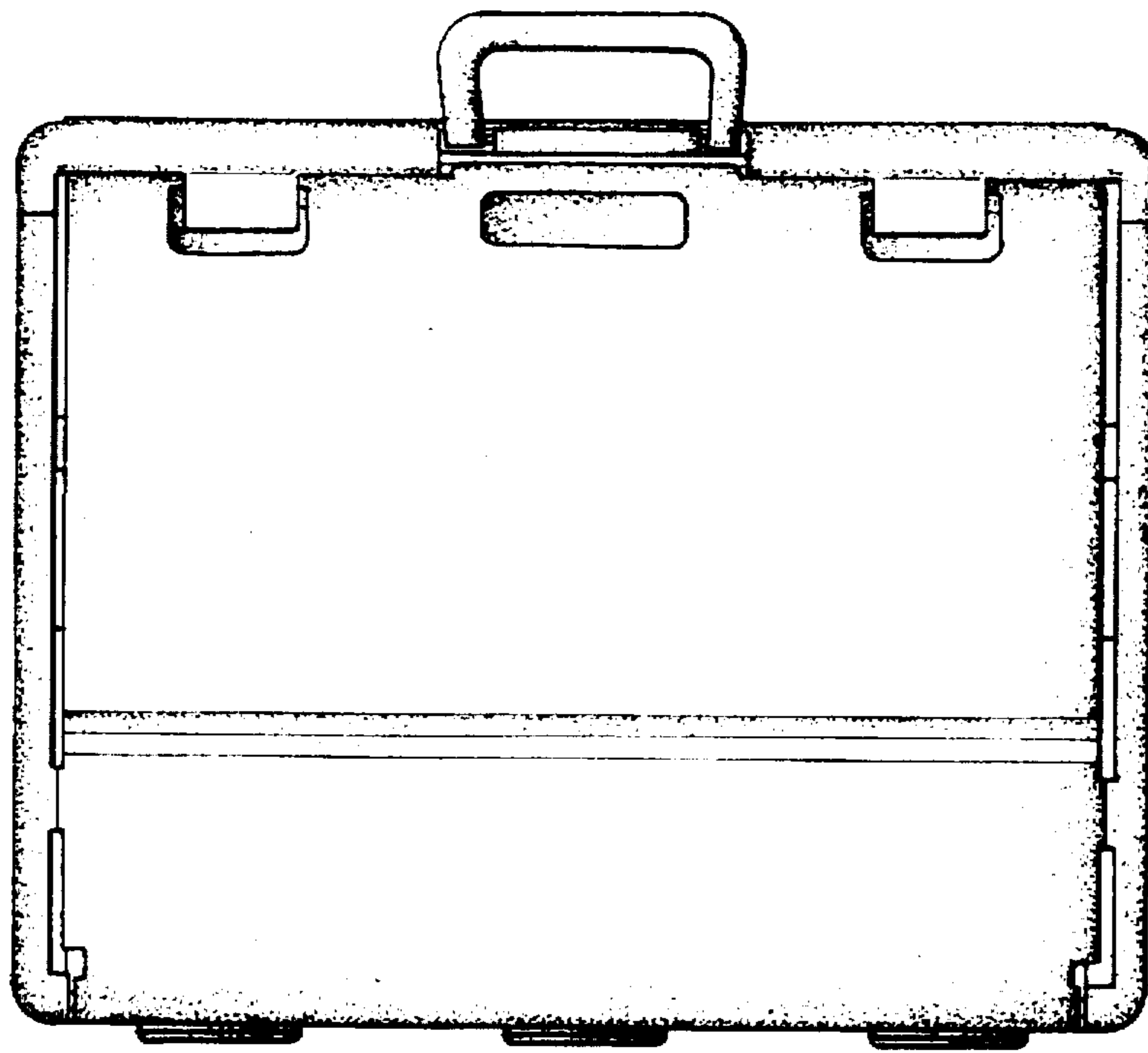


FIG. 2

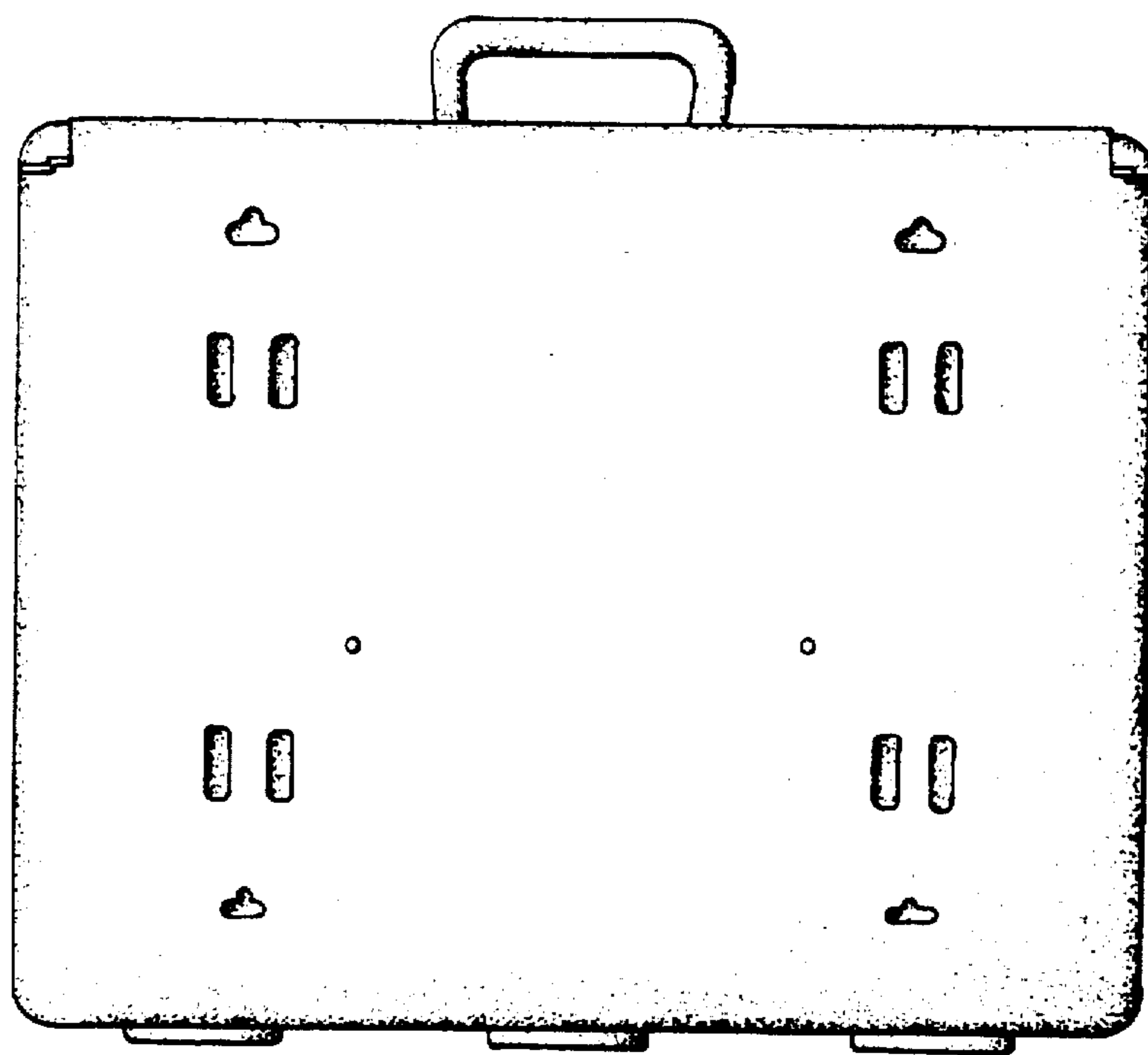


FIG.3

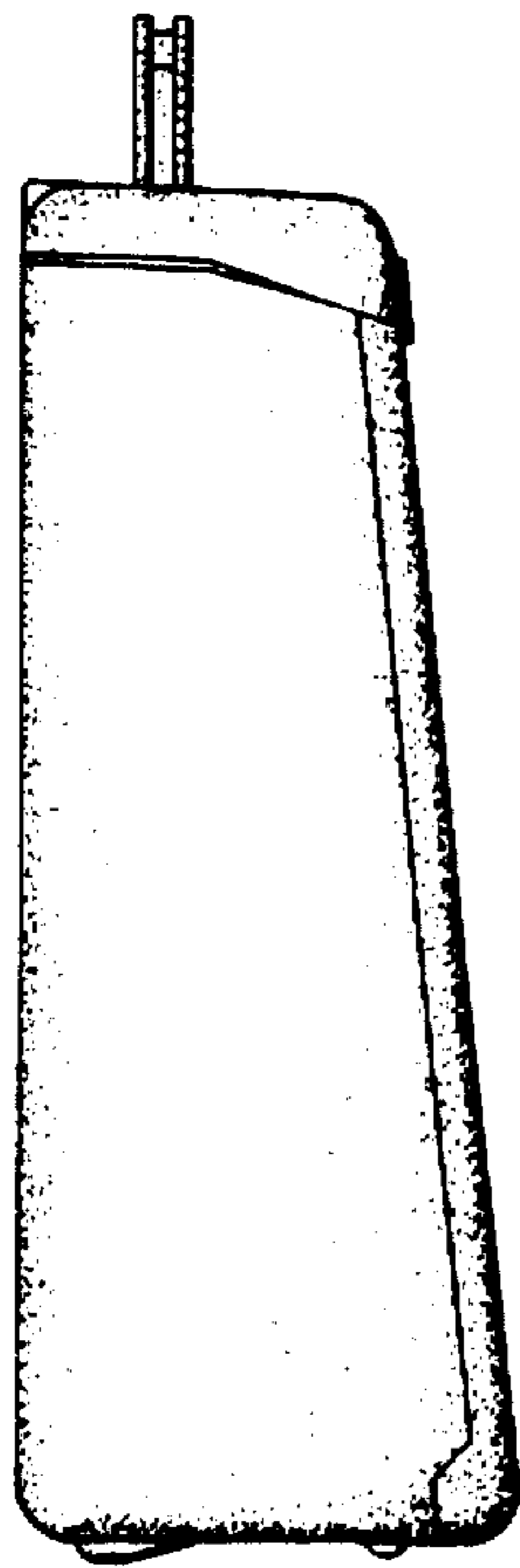


FIG. 4



FIG. 5

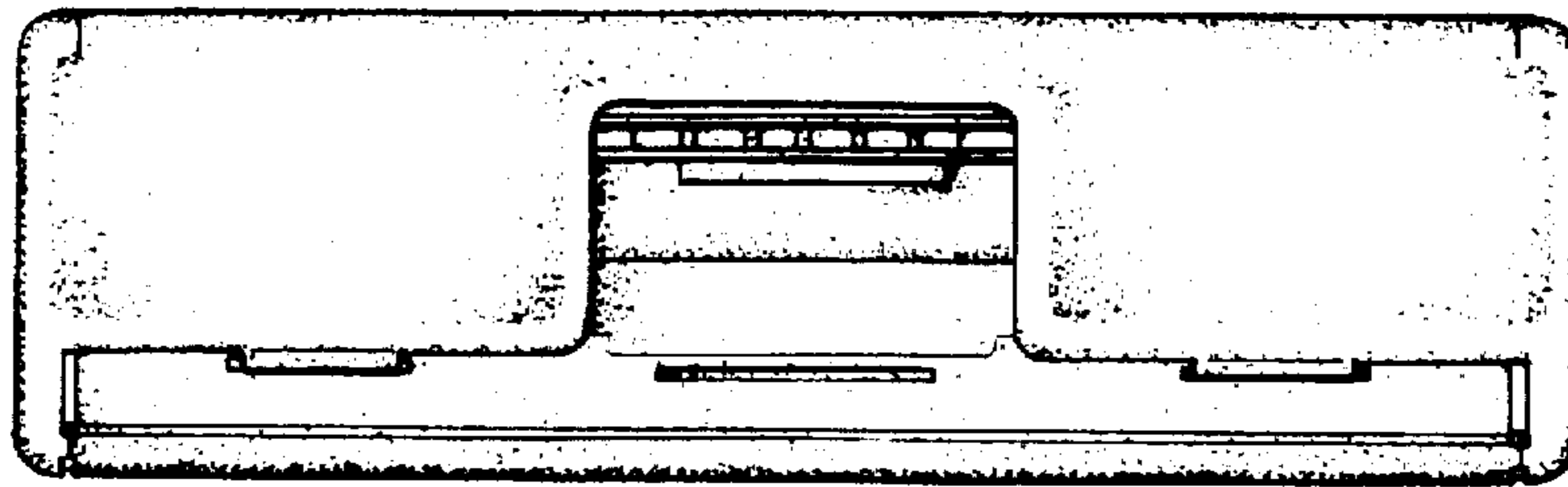


FIG. 6

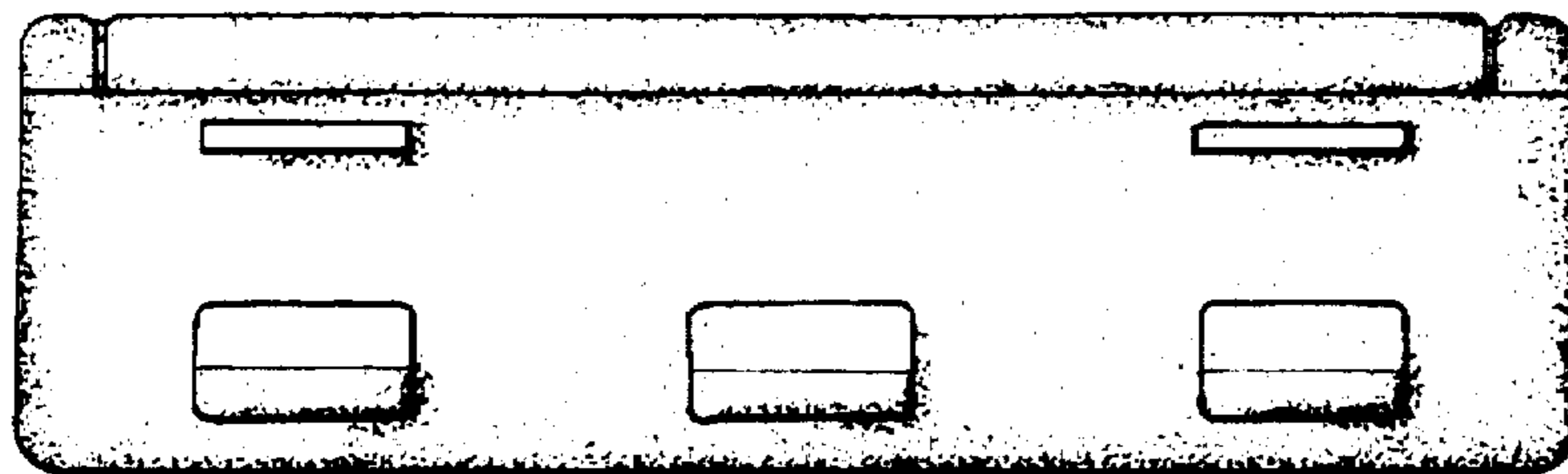


FIG. 7