



US00D395729S

# United States Patent [19]

Littman et al.

[11] Patent Number: **Des. 395,729**

[45] Date of Patent: **\*\*Jun. 30, 1998**

## [54] LIGHTING FIXTURE

[75] Inventors: **Sandra E. Littman; Kirina S. Kaufman**, both of New York, N.Y.

[73] Assignee: **Sandy Littman, Inc.**, New York, N.Y.

[\*\*] Term: **14 Years**

[21] Appl. No.: **75,073**

[22] Filed: **Aug. 12, 1997**

### Related U.S. Application Data

[62] Division of Ser. No. 48,317, Dec. 26, 1995, Pat. No. Des. 389,265.

[51] **LOC (6) Cl.** ..... **26-05**

[52] **U.S. Cl.** ..... **D26/87**

[58] **Field of Search** ..... D26/72, 80, 85,  
D26/86, 87, 91, 92

### [56] References Cited

#### U.S. PATENT DOCUMENTS

D. 71,925 1/1927 Opperman ..... D26/92  
D. 384,765 10/1997 Littman et al. .... D26/96

## OTHER PUBLICATIONS

Corbett lighting catalog, p. 14, wall lamp #1570, 1994.  
Forecast Decorative Lighting catalog, p. 37, wall lamp #1851-55, 1993.

*Primary Examiner*—Susan J. Lucas  
*Attorney, Agent, or Firm*—Schweitzer Cornman Gross & Bondell LLP

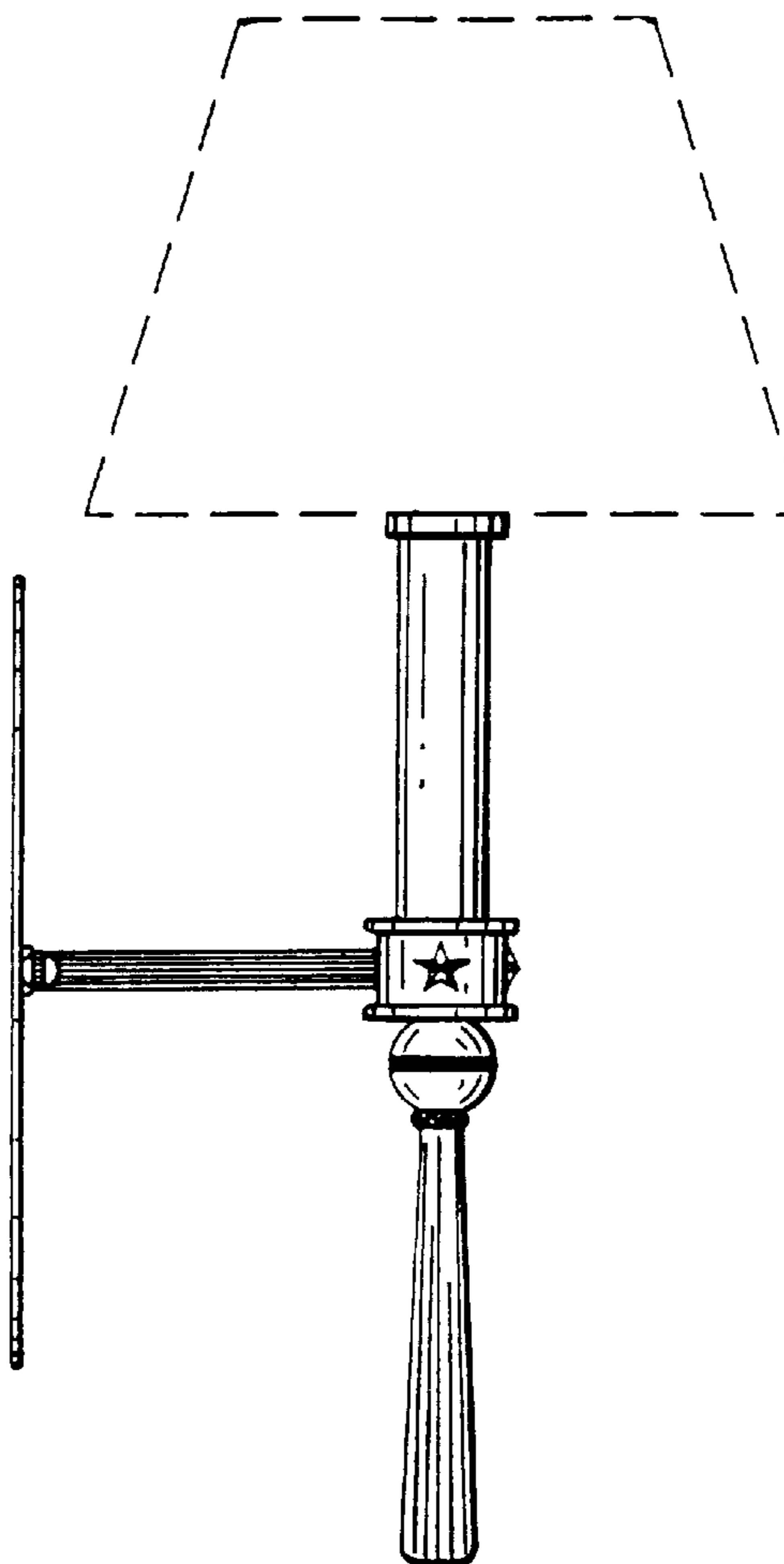
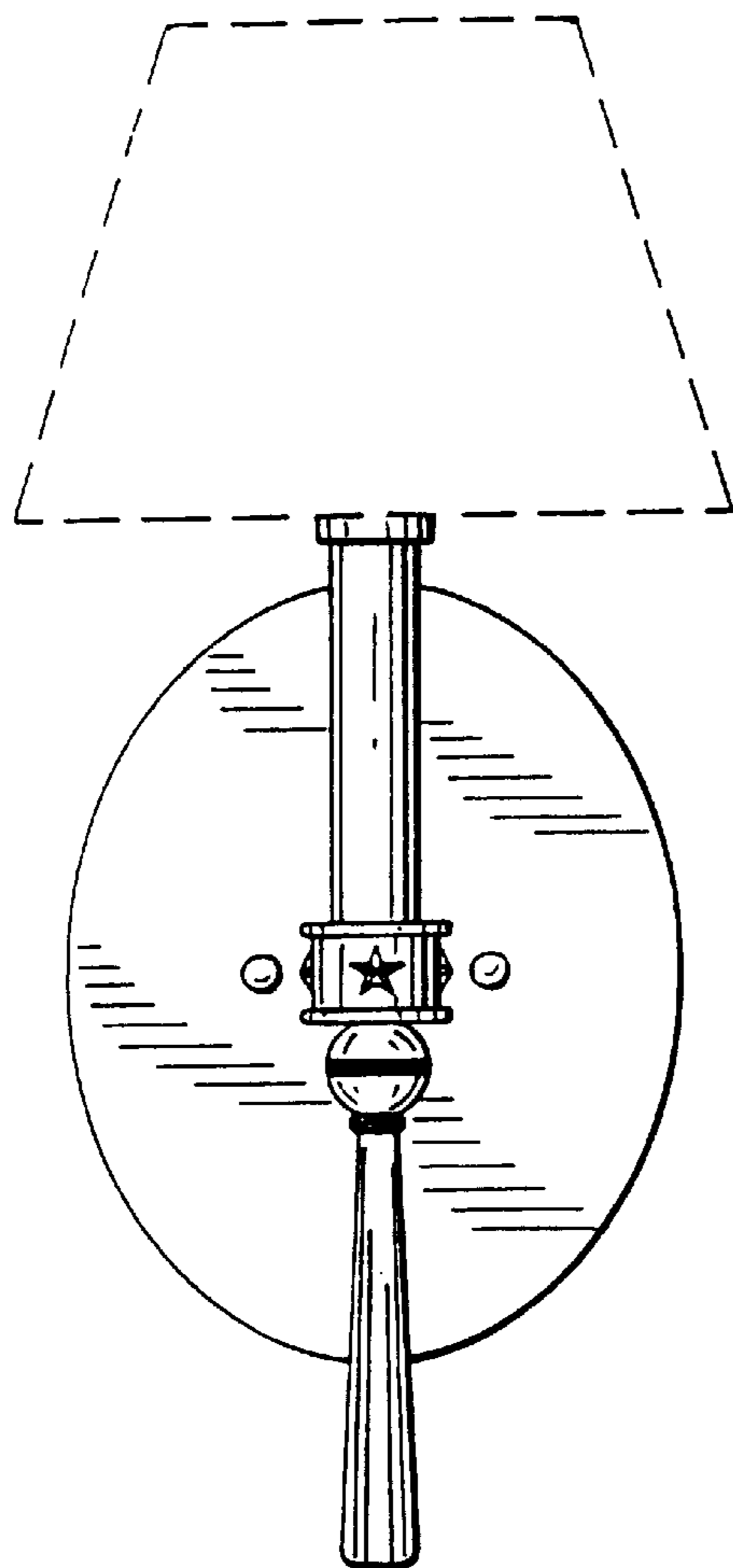
## [57] CLAIM

The ornamental design for a lighting fixture, as shown and described.

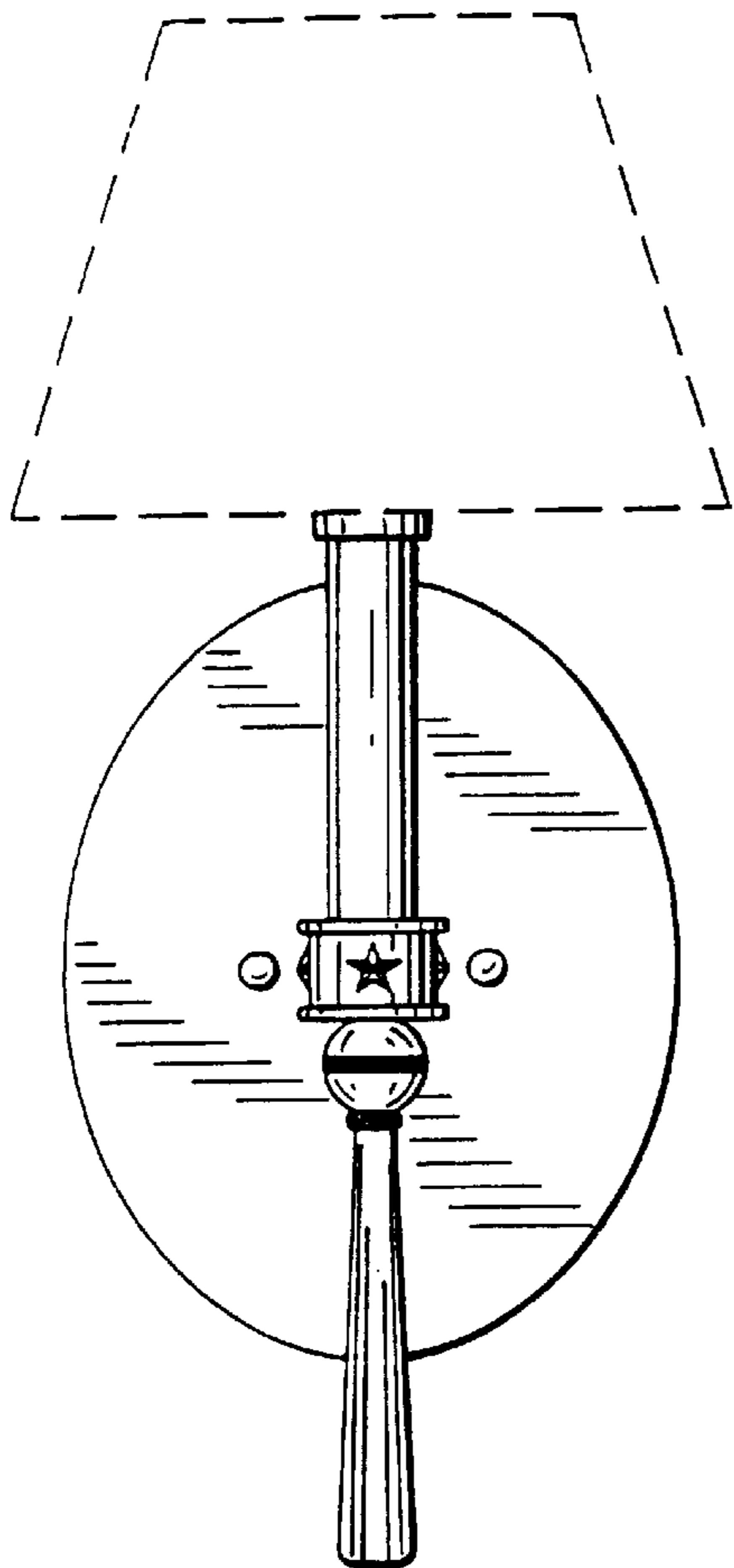
## DESCRIPTION

FIG. 1 is a front elevational view of a lighting fixture showing our new design;  
FIG. 2 is a rear elevational view thereof;  
FIG. 3 is a bottom plan view thereof;  
FIG. 4 is a top plan view thereof; and,  
FIG. 5 is a side elevational view thereof, the opposite side being a mirror image.  
The broken lines are shown for illustrative purposes only and form no part of the claimed design.

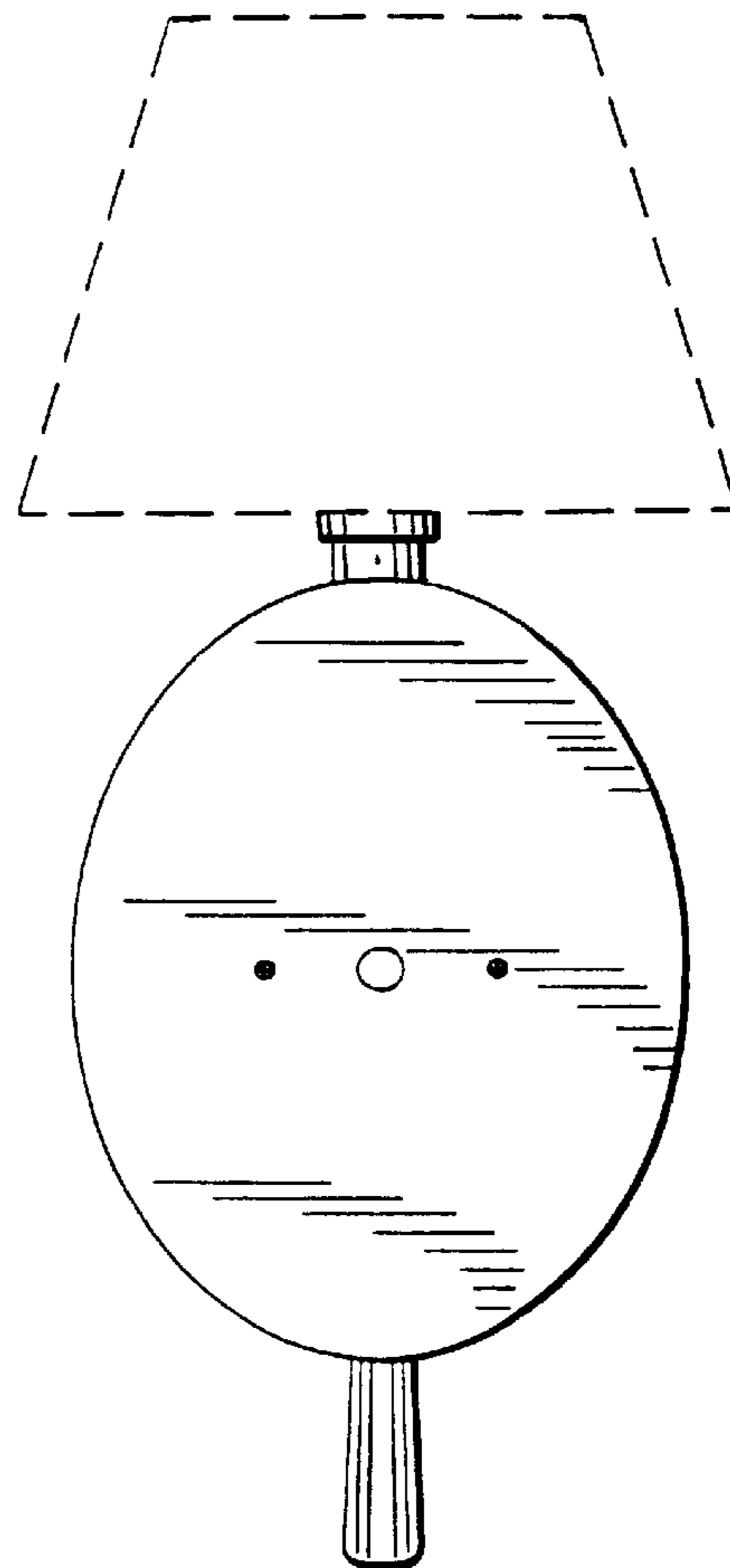
**1 Claim, 2 Drawing Sheets**



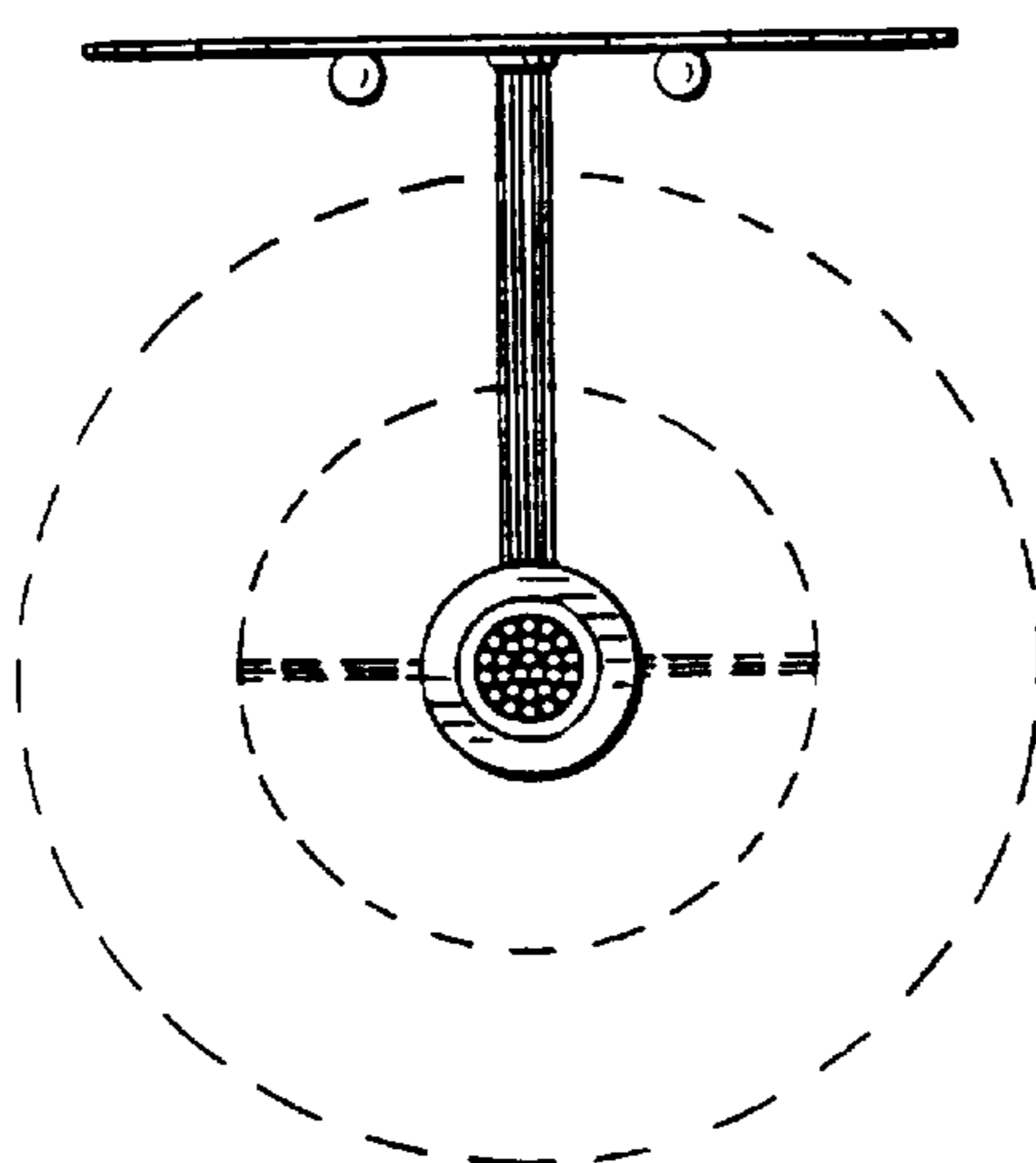
*FIG. 1*



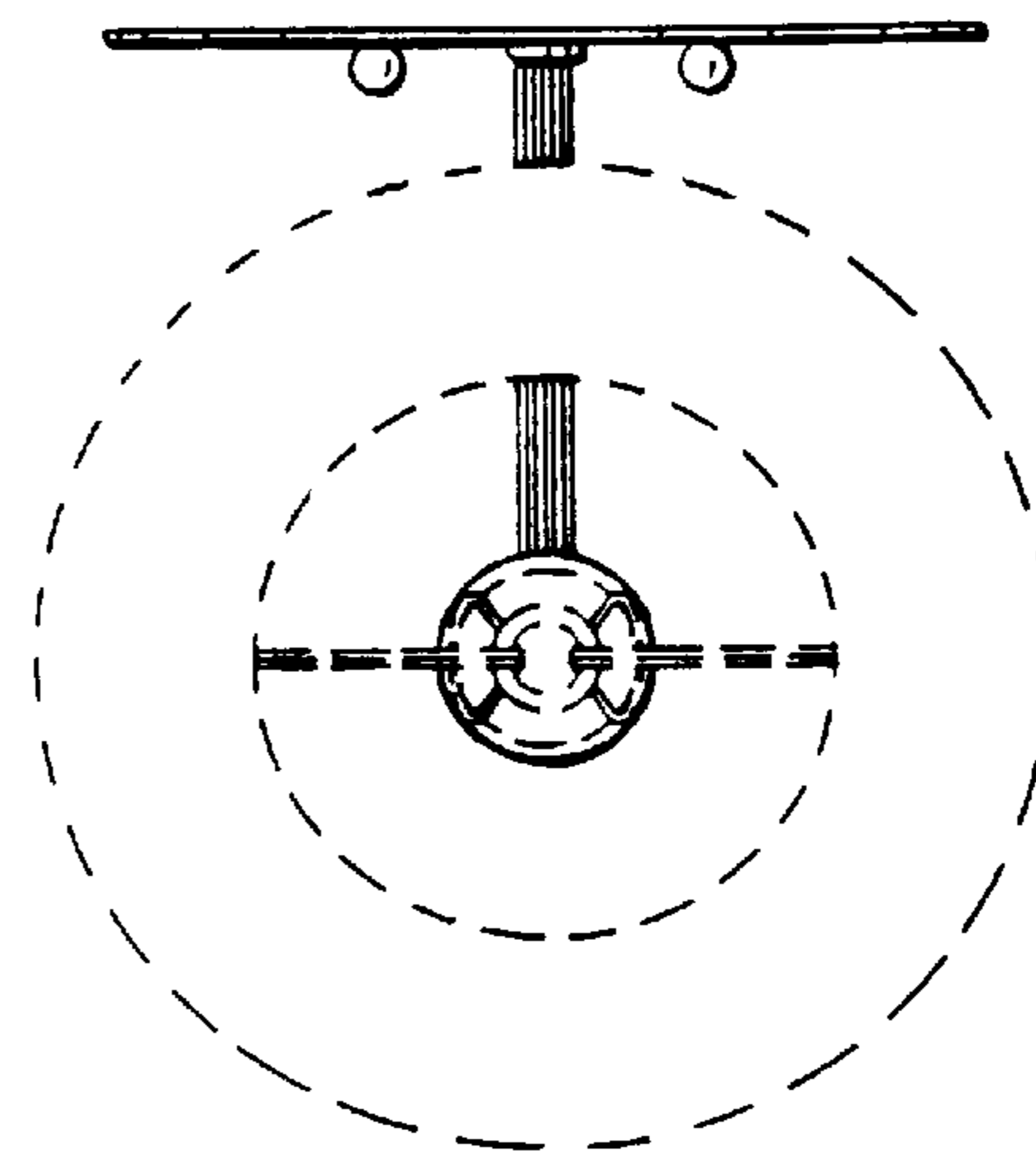
*FIG. 2*



*FIG. 3*



*FIG. 4*



*FIG. 5*

