



US00D395726S

United States Patent [19]

Pink et al.

[11] Patent Number: **Des. 395,726**

[45] Date of Patent: ****Jun. 30, 1998**

[54] OUTDOOR LIGHT FIXTURE

[75] Inventors: **Anthony N. Pink**, Shorewood; **Steven T. O'Brien**, Brooklyn Park, both of Minn.

[73] Assignee: **The Toro Company**, Bloomington, Minn.

[**] Term: **14 Years**

[21] Appl. No.: **72,300**

[22] Filed: **Jun. 12, 1997**

[51] LOC (6) Cl. **26-05**

[52] U.S. Cl. **D26/68**

[58] Field of Search D26/67, 68, 72, D26/24; 362/147, 153, 431

[56] References Cited

U.S. PATENT DOCUMENTS

- D. 197,438 2/1964 Harling et al. D48/31
- D. 305,156 12/1989 Maddock D26/67
- D. 366,713 1/1996 Cornell et al. D26/68

OTHER PUBLICATIONS

Intermatic© Malibu outdoor lighting catalog, insert, outdoor light #LX3, Aug. 1995.

Toro Outdoor Lighting brochure, Form #L019-A, copyright 1990.

Intermatic Malibu Lighting Series brochure, publication date Aug. 1993.

Primary Examiner—Susan J. Lucas

Attorney, Agent, or Firm—Donald S. Trevarthen

[57] CLAIM

The ornamental design for an outdoor light fixture, as shown and described.

DESCRIPTION

FIG. 1 is a perspective view of an outdoor light fixture showing our new design;

FIG. 2 is a right side elevational view thereof;

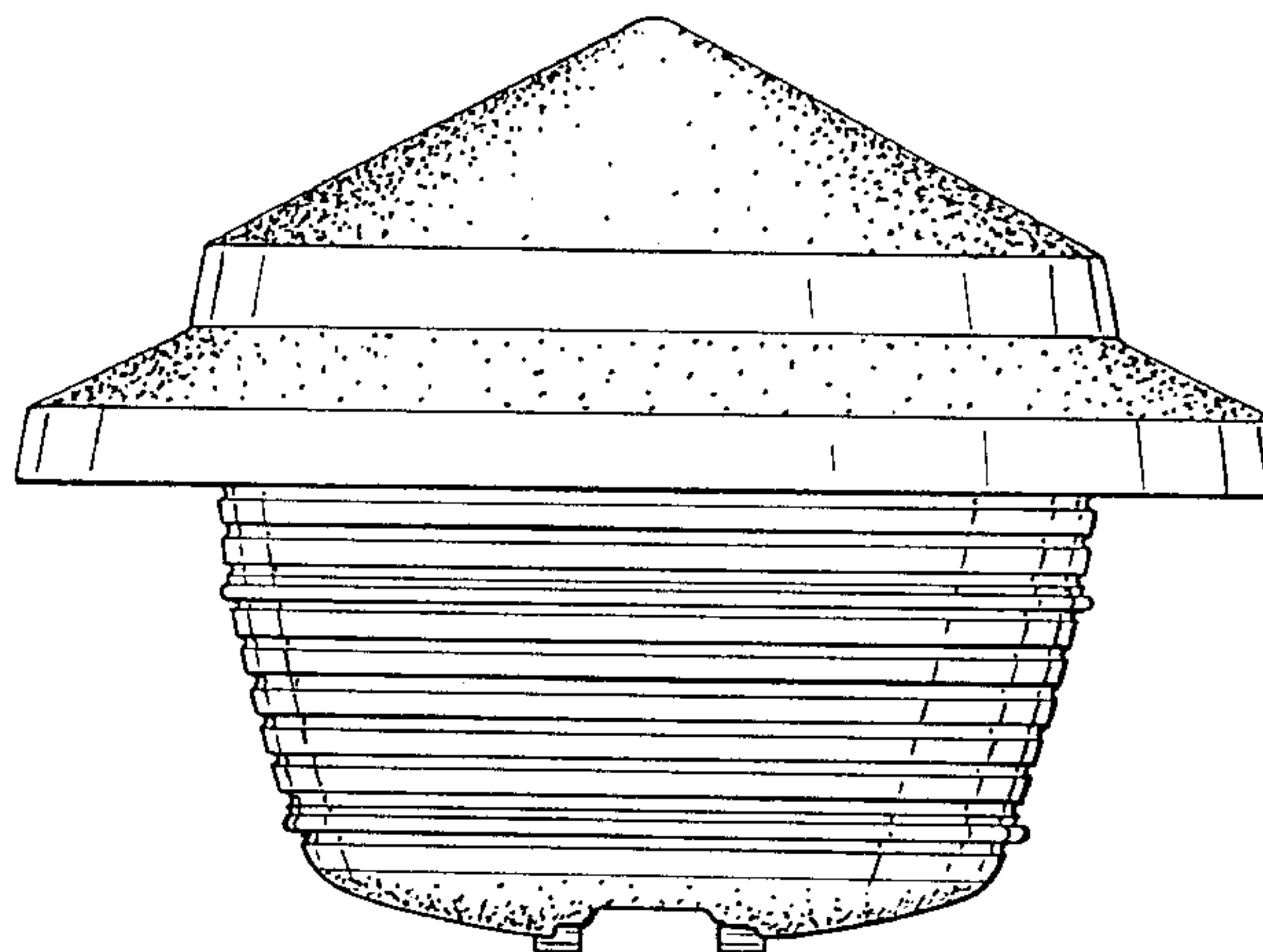
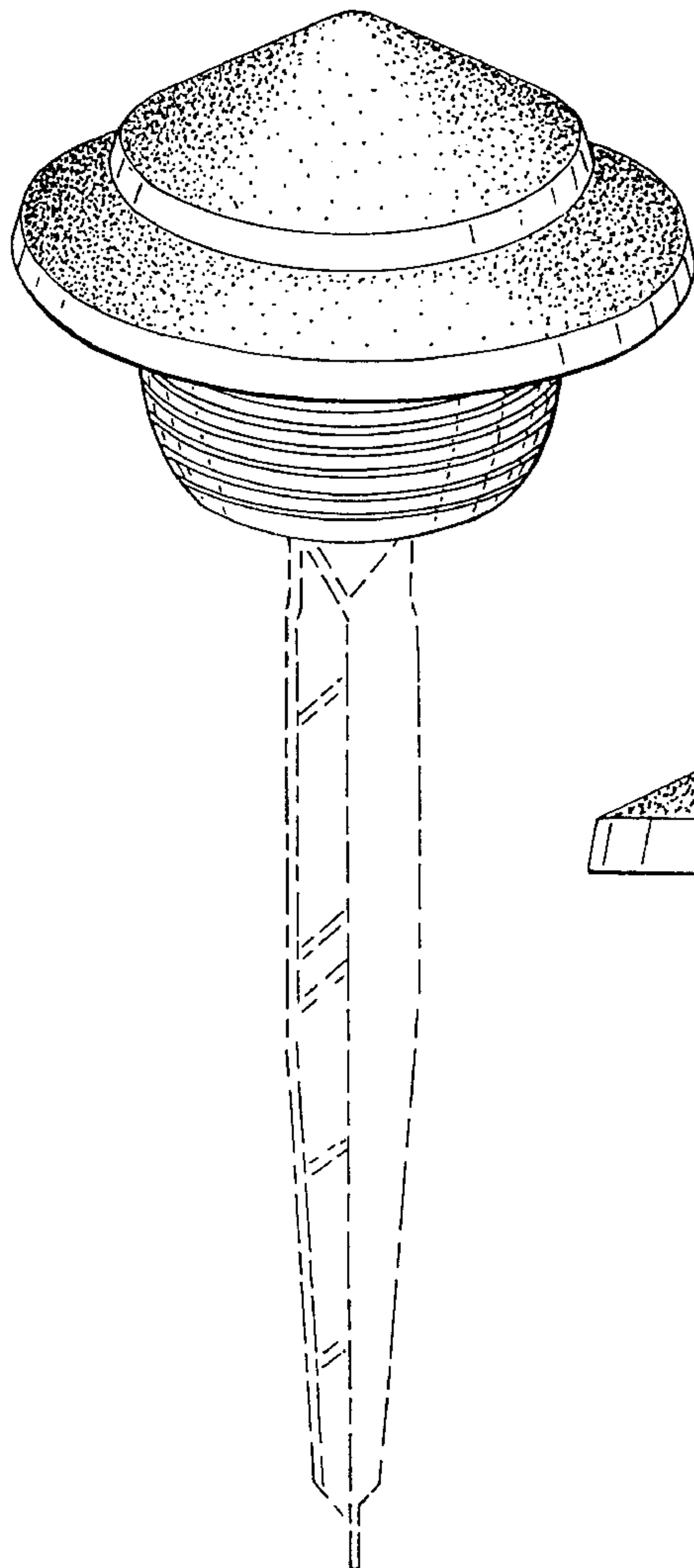
FIG. 3 is a top plan view thereof;

FIG. 4 is a front elevational view thereof; and,

FIG. 5 is a bottom plan view thereof.

The broken lines are shown for illustrative purposes only and form no part of the claimed design.

1 Claim, 3 Drawing Sheets



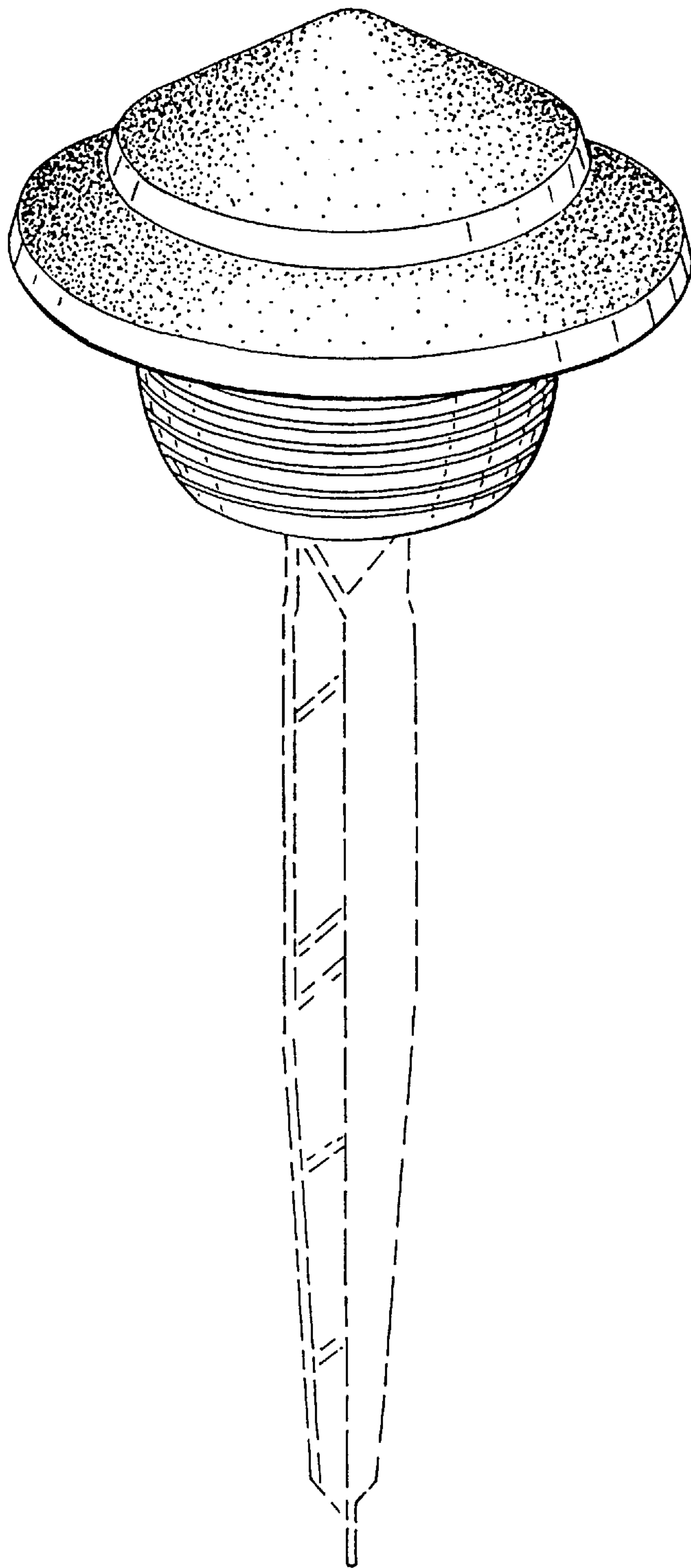


FIG. 1

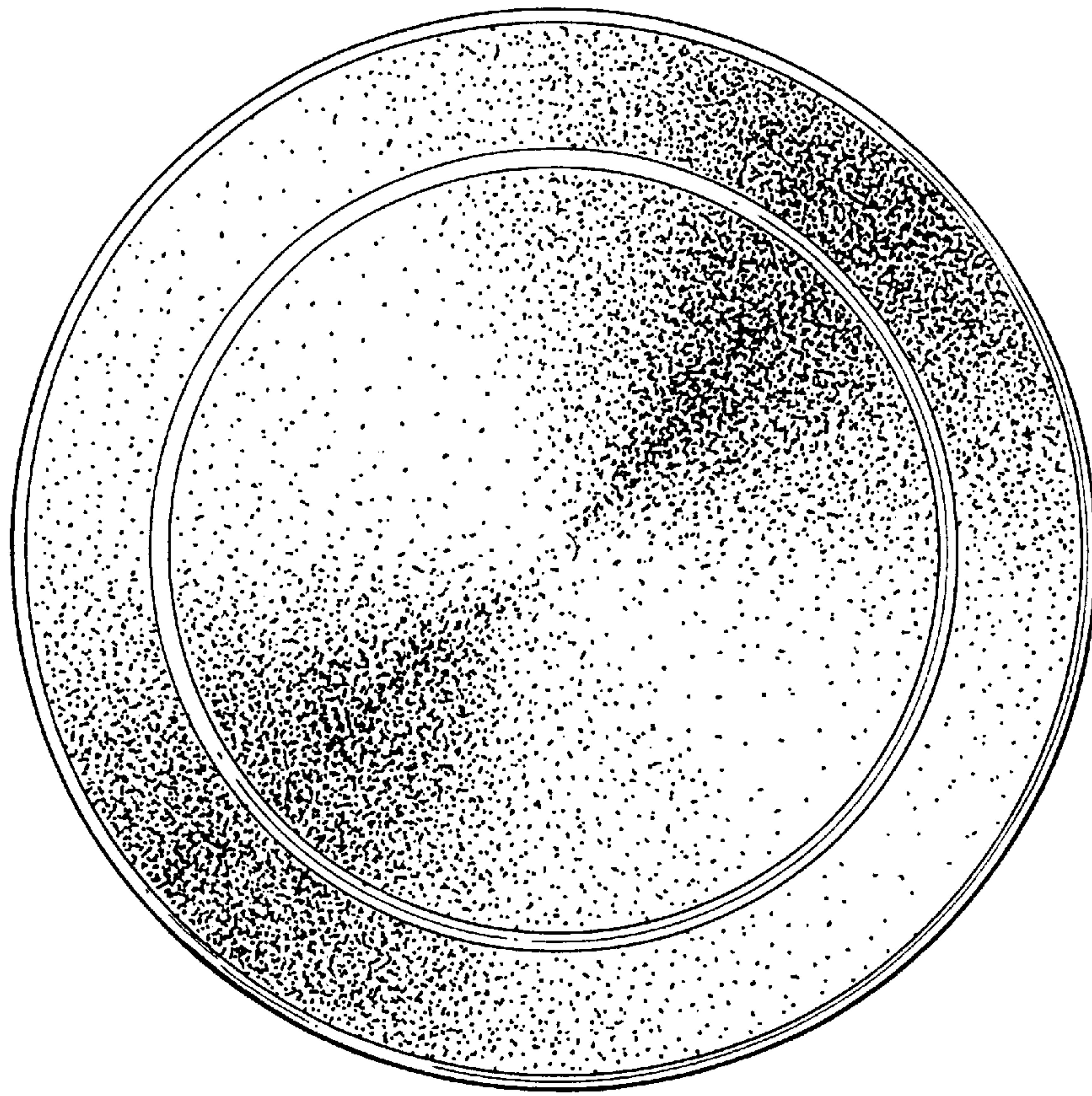


FIG. 3

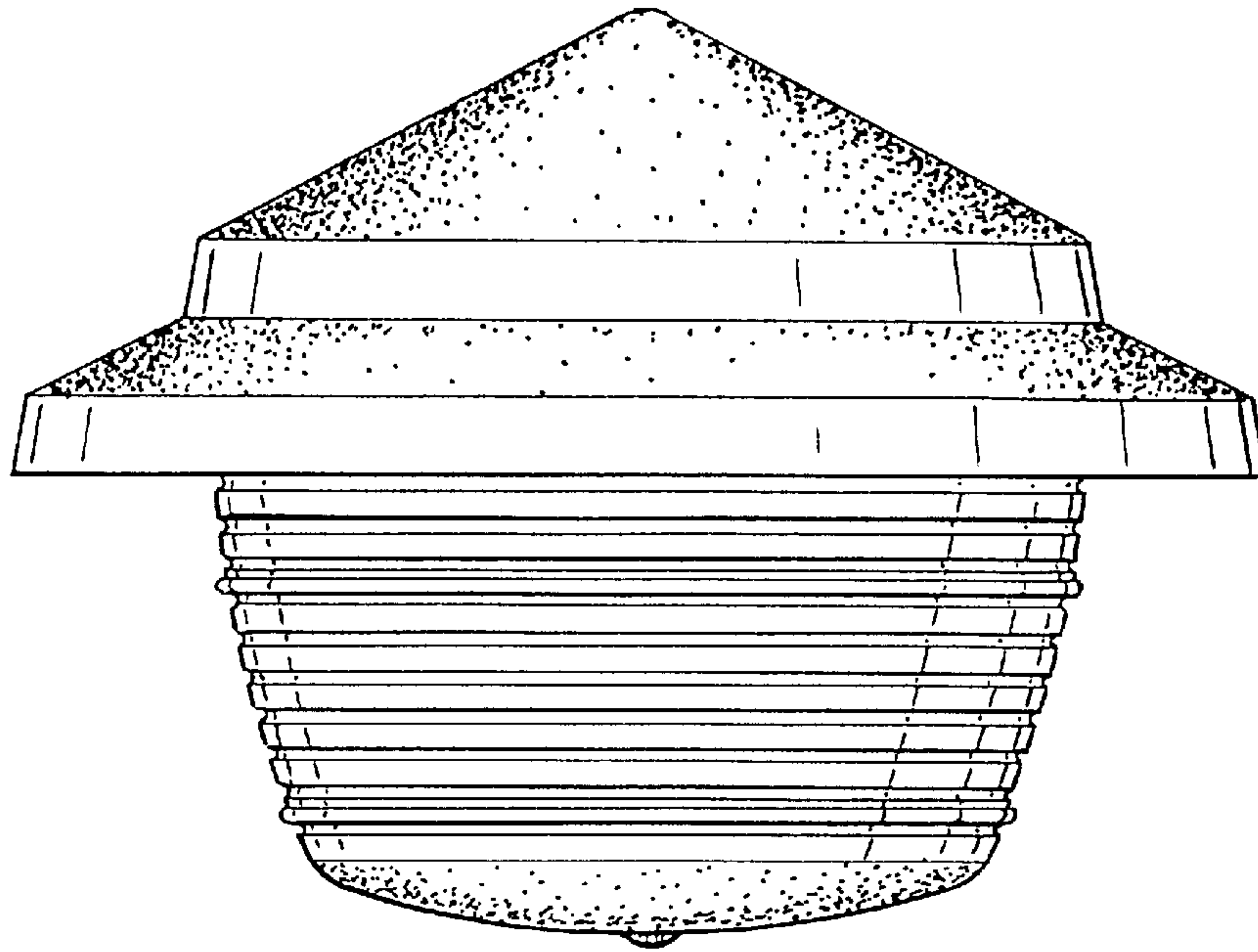


FIG. 2

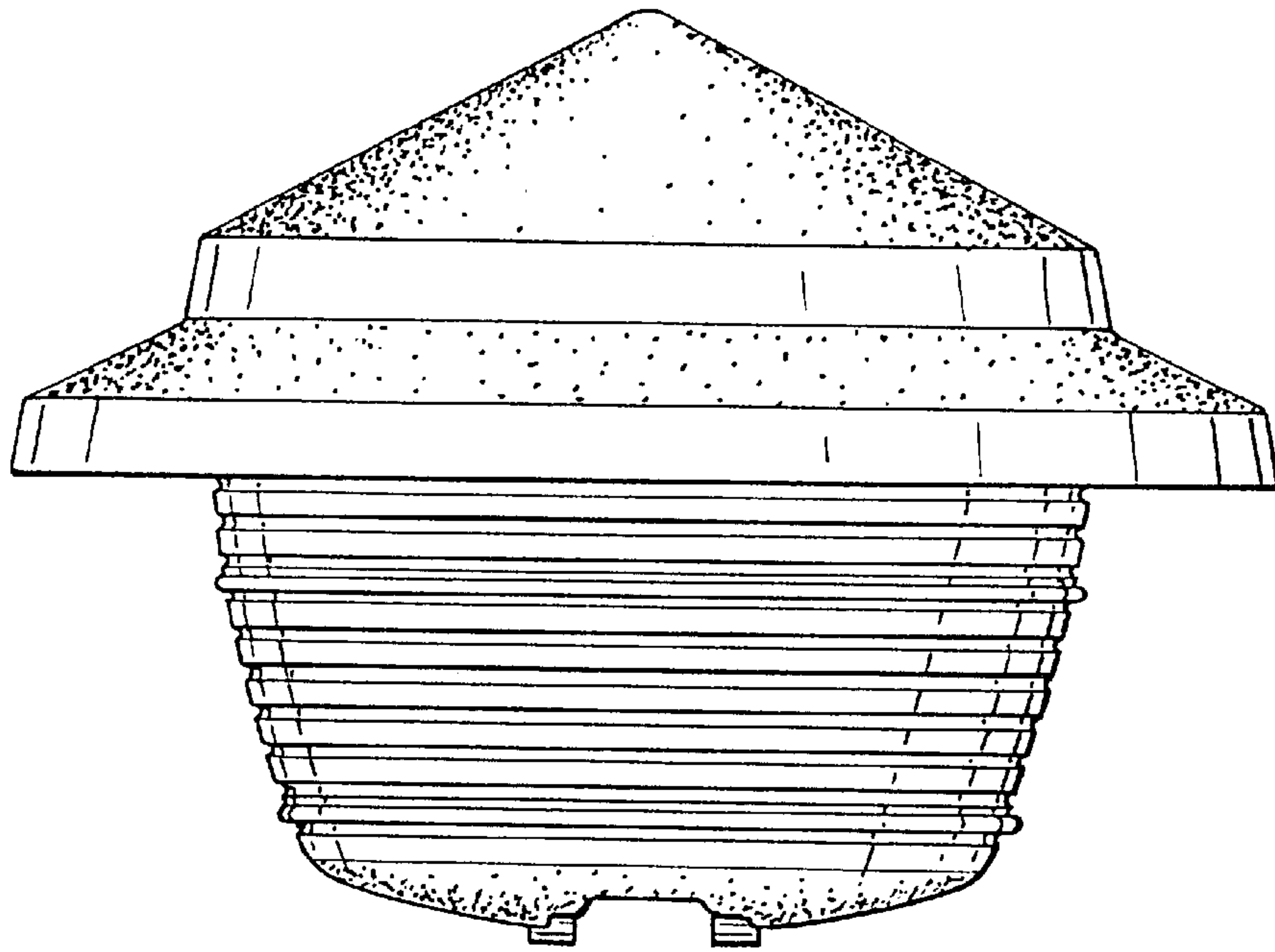


FIG. 4

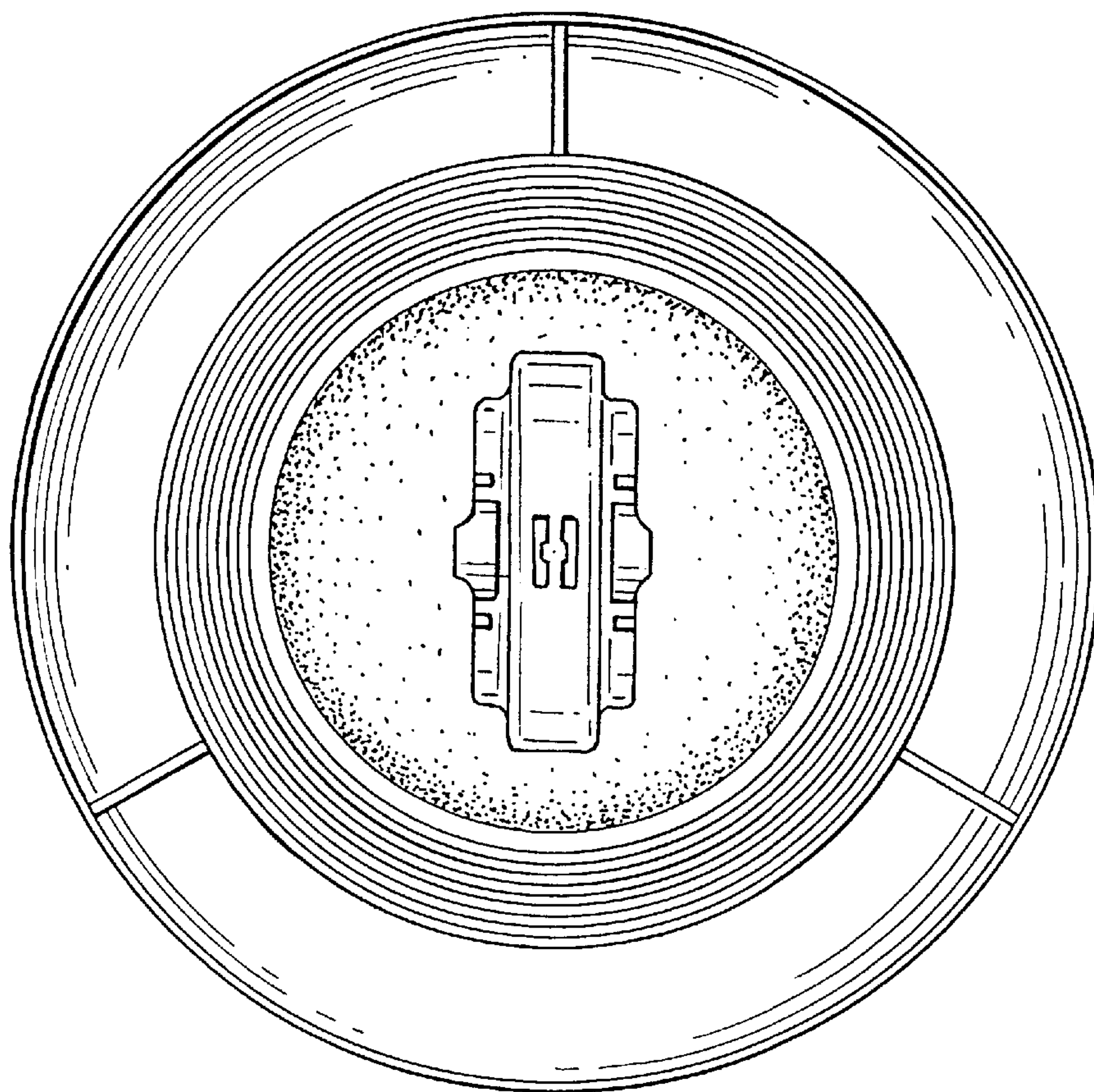


FIG. 5