



US00D395724S

United States Patent [19]

Compton

[11] **Patent Number: Des. 395,724**

[45] **Date of Patent: **Jun. 30, 1998**

[54] **LUMINAIRE**

D. 370,288 5/1996 Tognu D26/67

[75] Inventor: **Wayne W. Compton**, Chino Hills, Calif.

OTHER PUBLICATIONS

Ela Co. lighting flyer, outdoor luminaire, 1989.
Ad Sheet—The 2554 Light, ELA Company—1989.

[73] Assignee: **Kim Lighting Inc.**, City of Industry, Calif.

Primary Examiner—Susan J. Lucas
Attorney, Agent, or Firm—Lyon & Lyon LLP

[**] Term: **14 Years**

[21] Appl. No.: **61,125**

[57] CLAIM

The ornamental design for a luminaire, as shown and described.

[22] Filed: **Oct. 16, 1996**

[51] **LOC (6) Cl.** **26-03**

[52] **U.S. Cl.** **D26/67; D26/85**

[58] **Field of Search** D26/72, 80-92,
D26/67, 68, 69, 70, 71; 362/147, 431, 367,
404, 363

DESCRIPTION

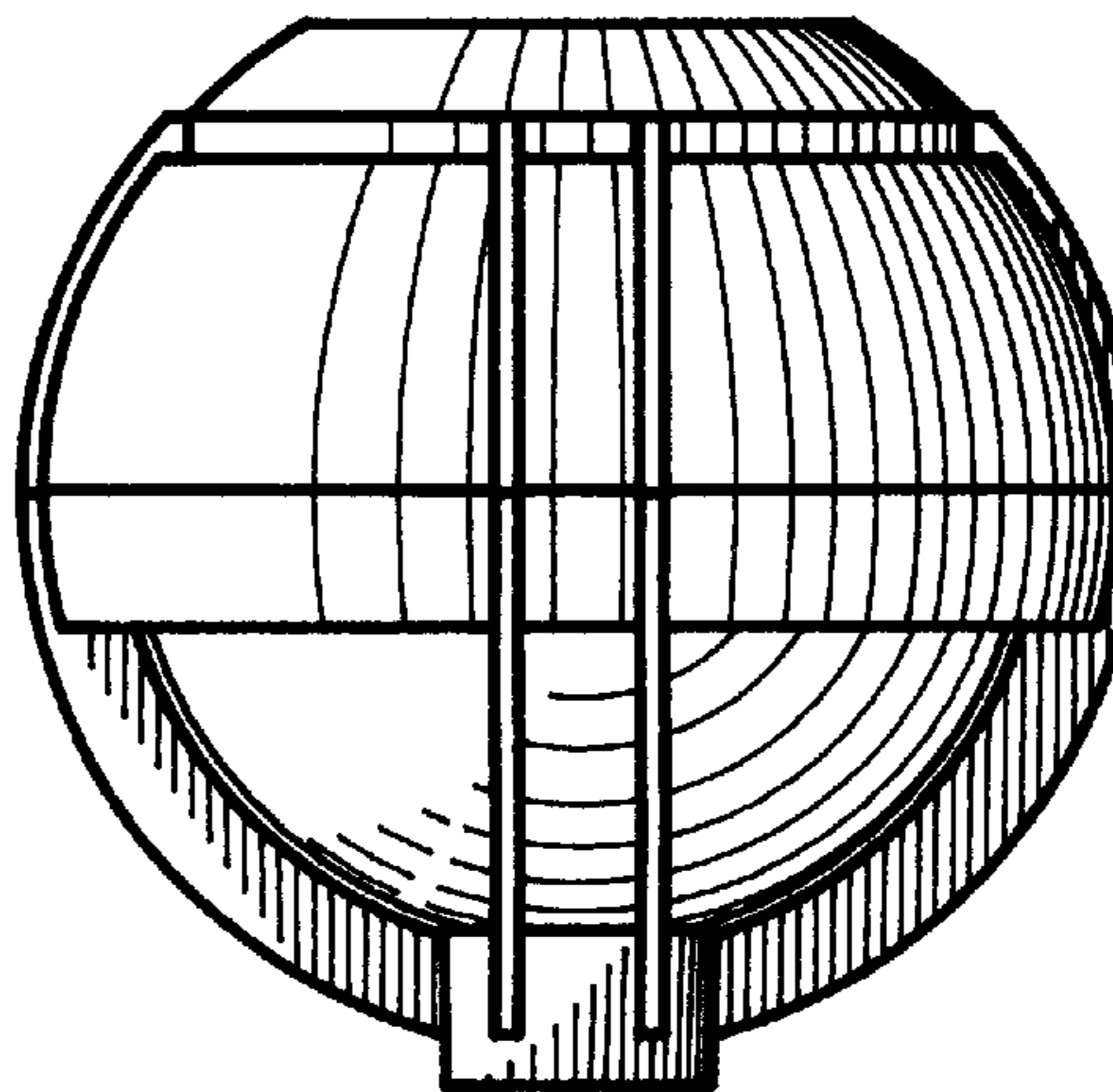
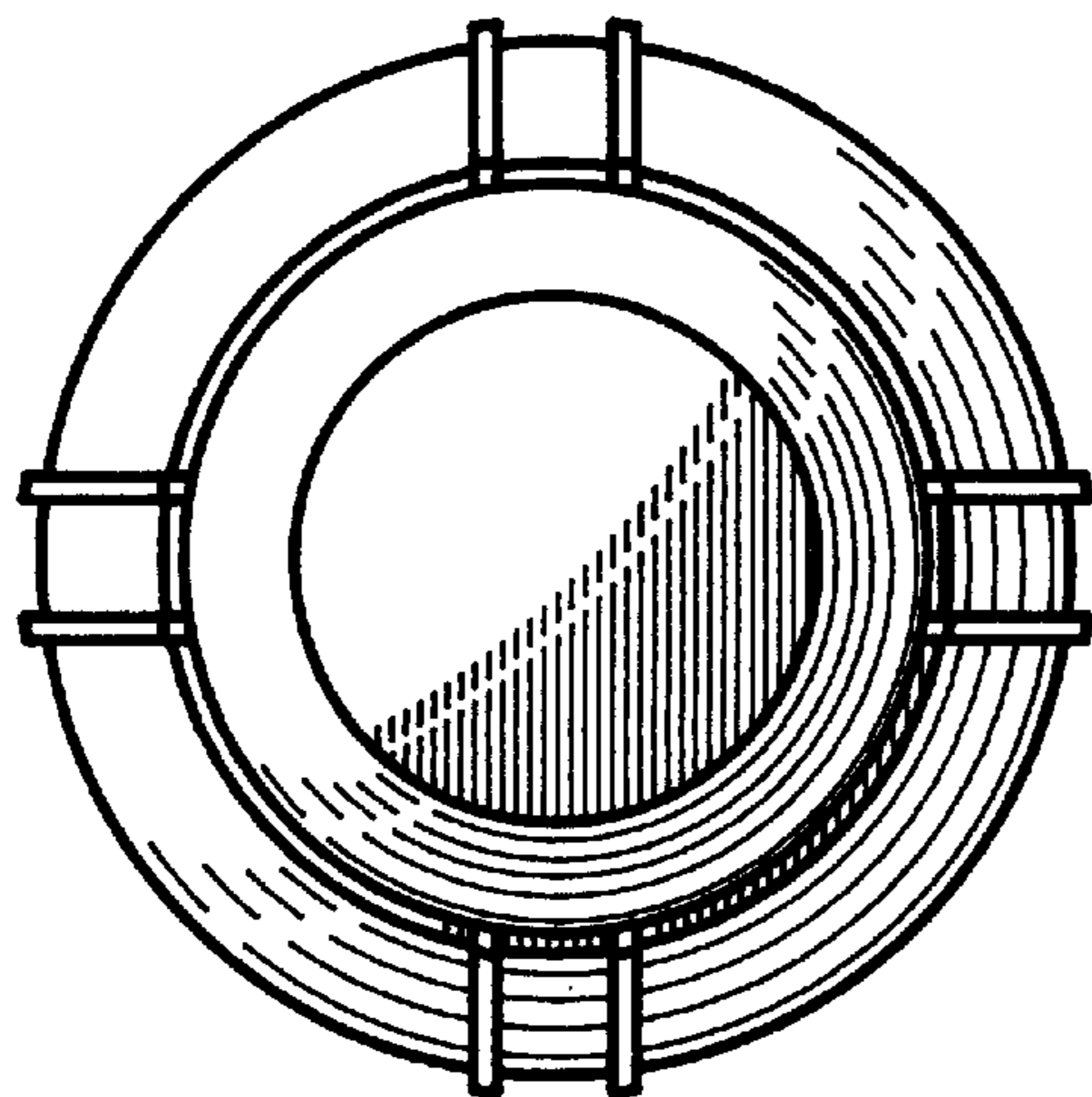
FIG. 1 is a top view of the new design;
FIGS. 2 and 3 are front and side views (which appear alike because of the symmetry of the design); and,
FIG. 4 is a bottom view.

[56] References Cited

U.S. PATENT DOCUMENTS

D. 361,400 8/1995 Compton D26/85

1 Claim, 1 Drawing Sheet



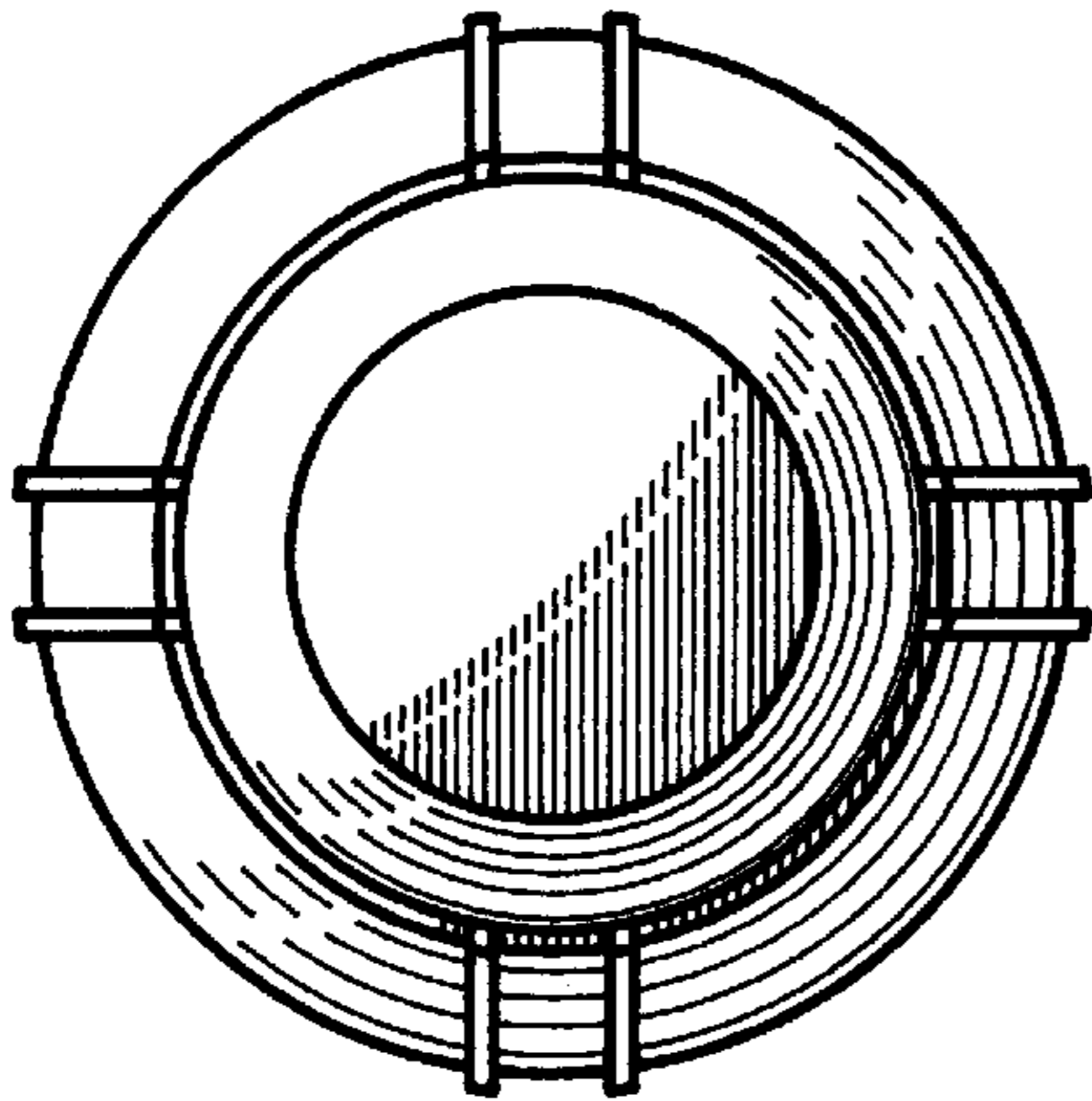


FIG. 1

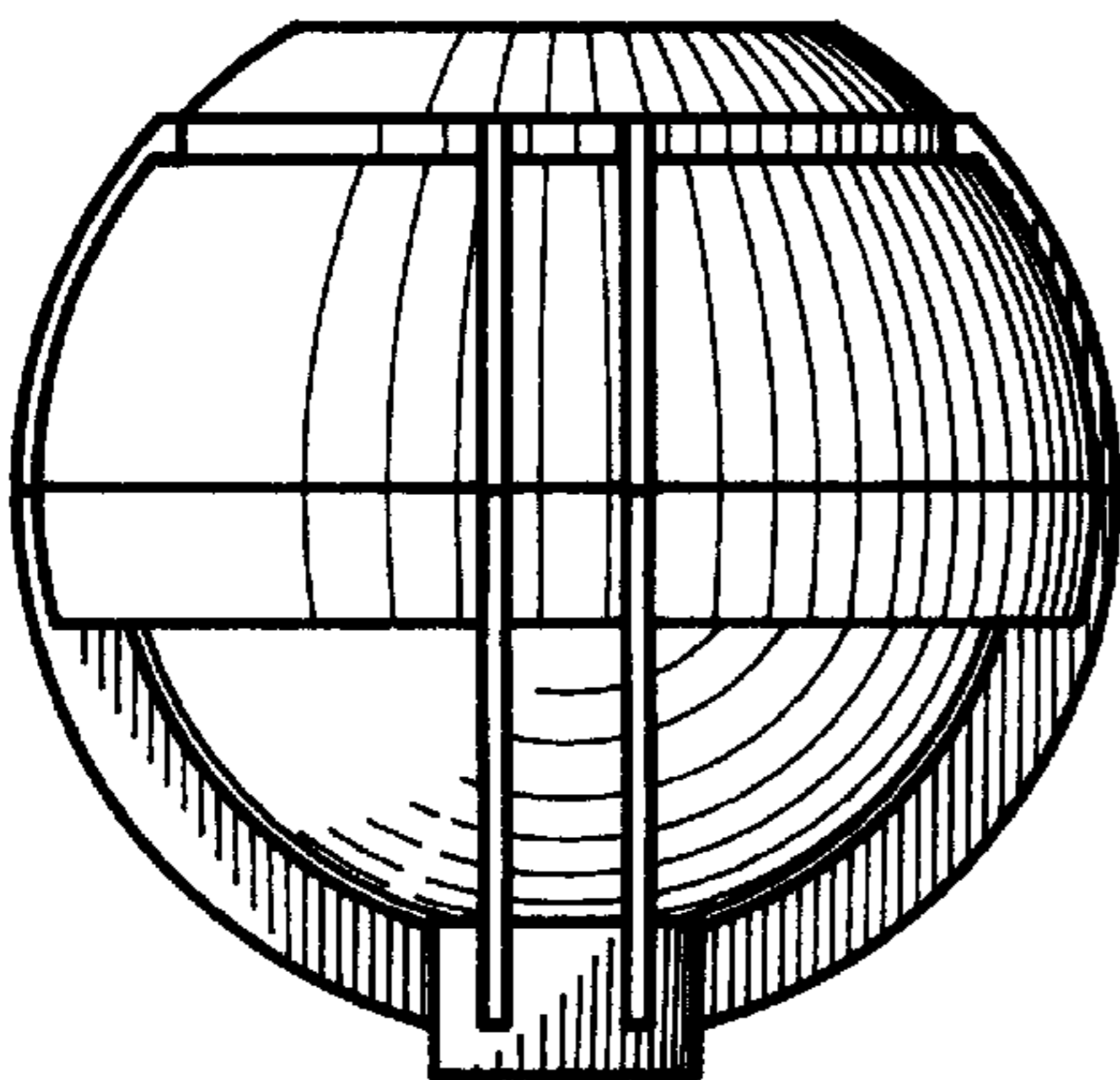


FIG. 2

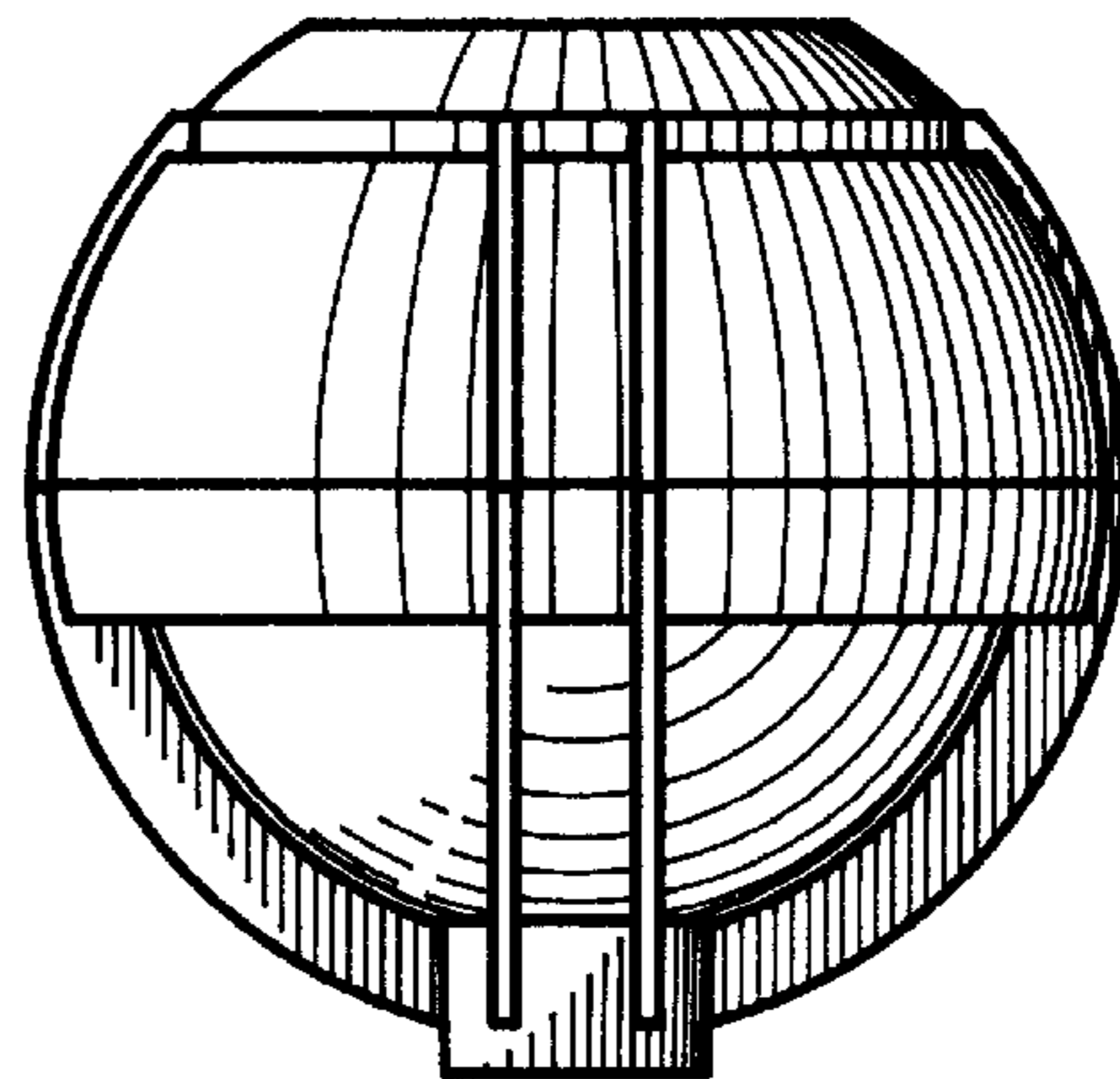


FIG. 3

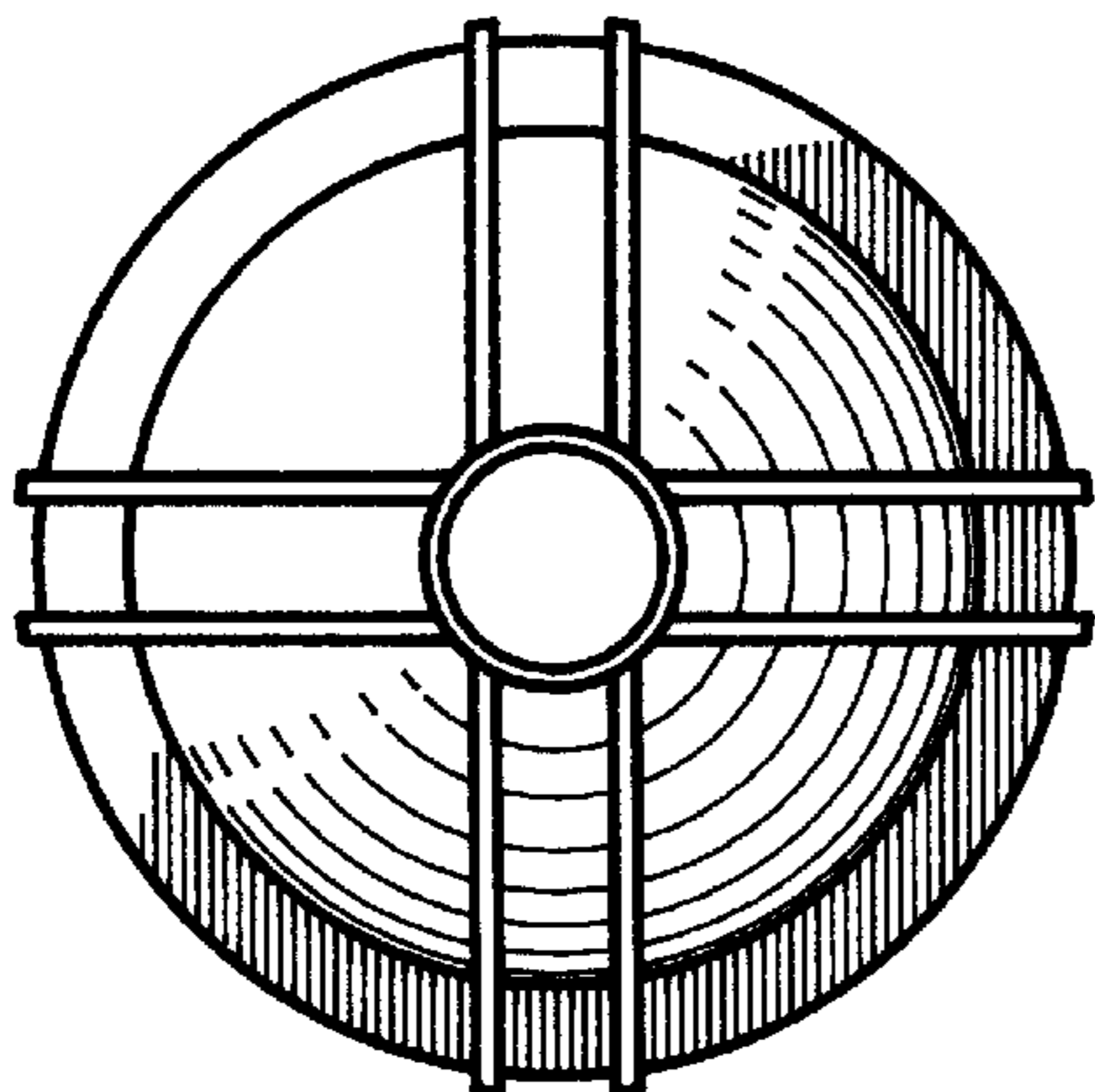


FIG. 4