



US00D395723S

United States Patent [19]

Zeller

[11] Patent Number: Des. 395,723

[45] Date of Patent: **Jun. 30, 1998

[54] **BOOK LIGHT**

[76] Inventor: **Noel E. Zeller**, c/o Zelco Industries, Inc., 65 Haven Ave., Mount Vernon, N.Y. 10553

[**] Term: **14 Years**

[21] Appl. No.: **74,193**

[22] Filed: **Jul. 28, 1997**

[51] **LOC (6) Cl.** **26-05**

[52] **U.S. Cl.** **D26/60; D26/63**

[58] **Field of Search** D26/60, 61, 63, D26/65; 362/269, 279, 285, 418, 419, 427, 396, 98, 191

[56] **References Cited**

U.S. PATENT DOCUMENTS

- D. 271,526 11/1983 Zeller D26/60
- D. 290,519 6/1987 Kuo D26/60
- 4,598,340 7/1986 Dwosh et al. 362/98

Primary Examiner—Susan J. Lucas

Attorney, Agent, or Firm—Dowden S. Dowden; Cooper & Dunham LLP

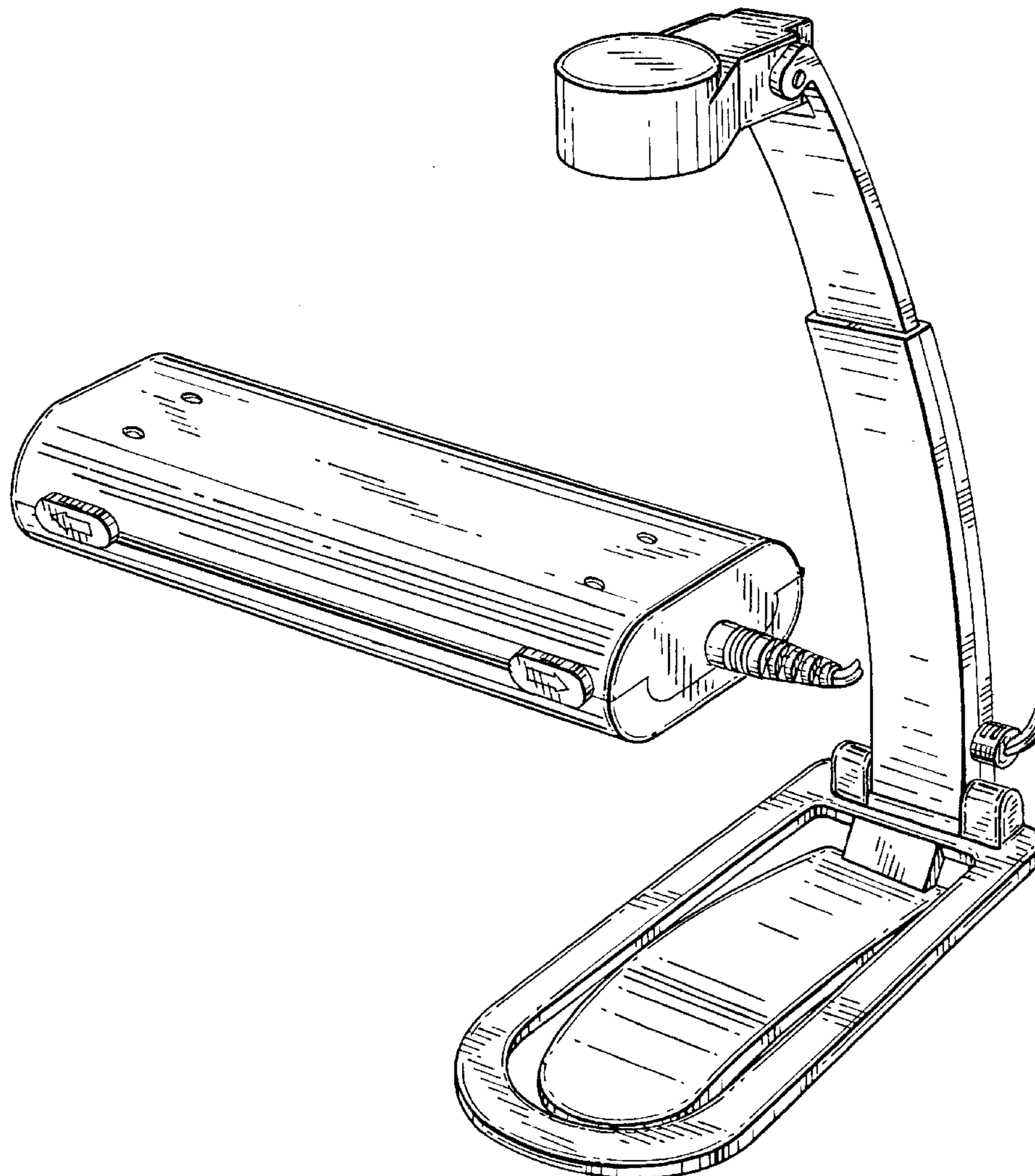
[57] **CLAIM**

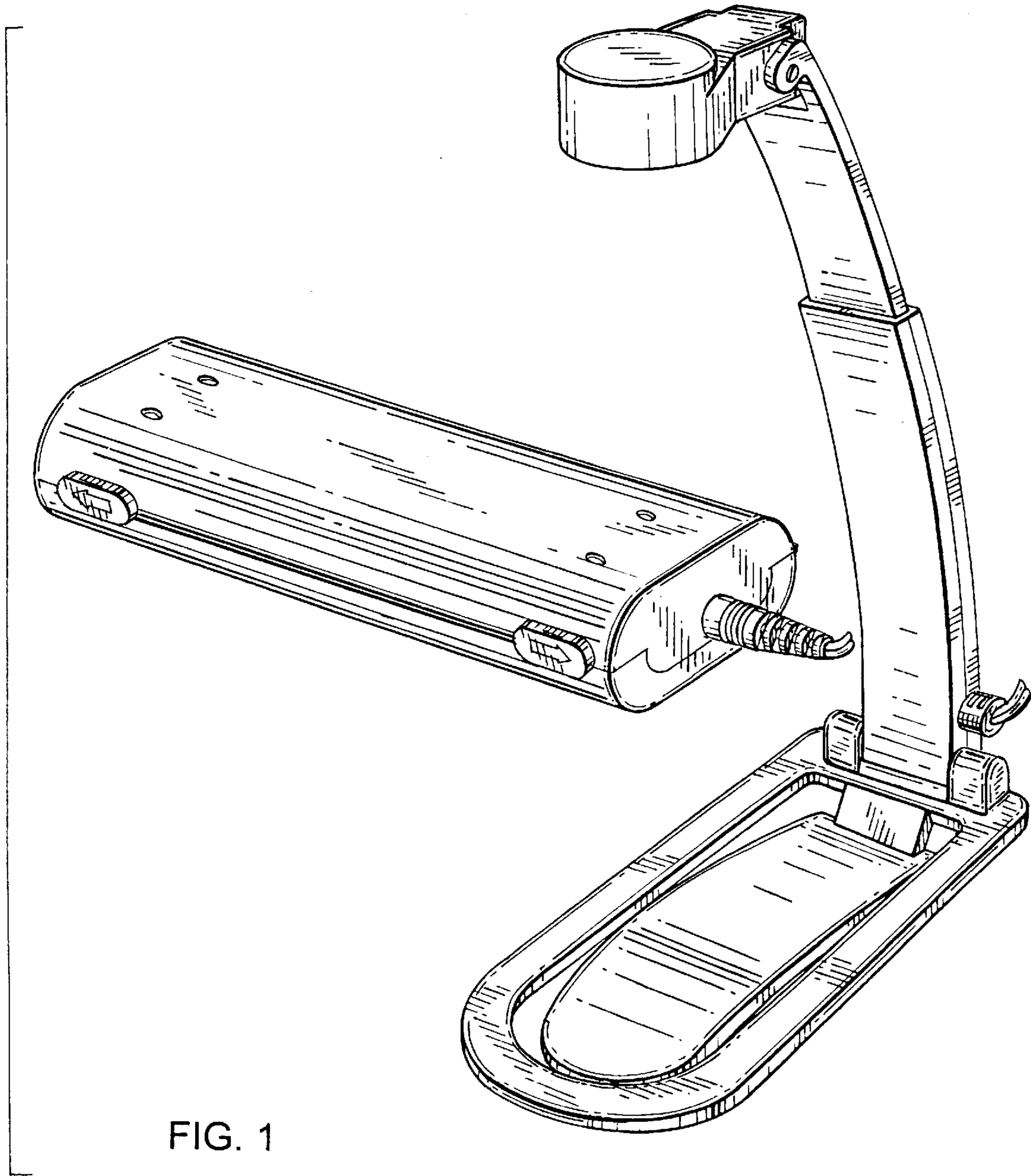
The ornamental design for a book light, as shown and described.

DESCRIPTION

FIG. 1 is a top right front perspective view showing my new design in an unfolded position;
 FIG. 2 is a front view thereof;
 FIG. 3 is a right view thereof;
 FIG. 4 is a left view thereof;
 FIG. 5 is a rear view thereof;
 FIG. 6 is a top view thereof;
 FIG. 7 is a bottom thereof;
 FIG. 8 is a fragmentary front view thereof in a folded position;
 FIG. 9 is a right view thereof;
 FIG. 10 is a left view thereof;
 FIG. 11 is a rear view thereof;
 FIG. 12 is a top view thereof; and,
 FIG. 13 is a bottom view thereof.

1 Claim, 9 Drawing Sheets





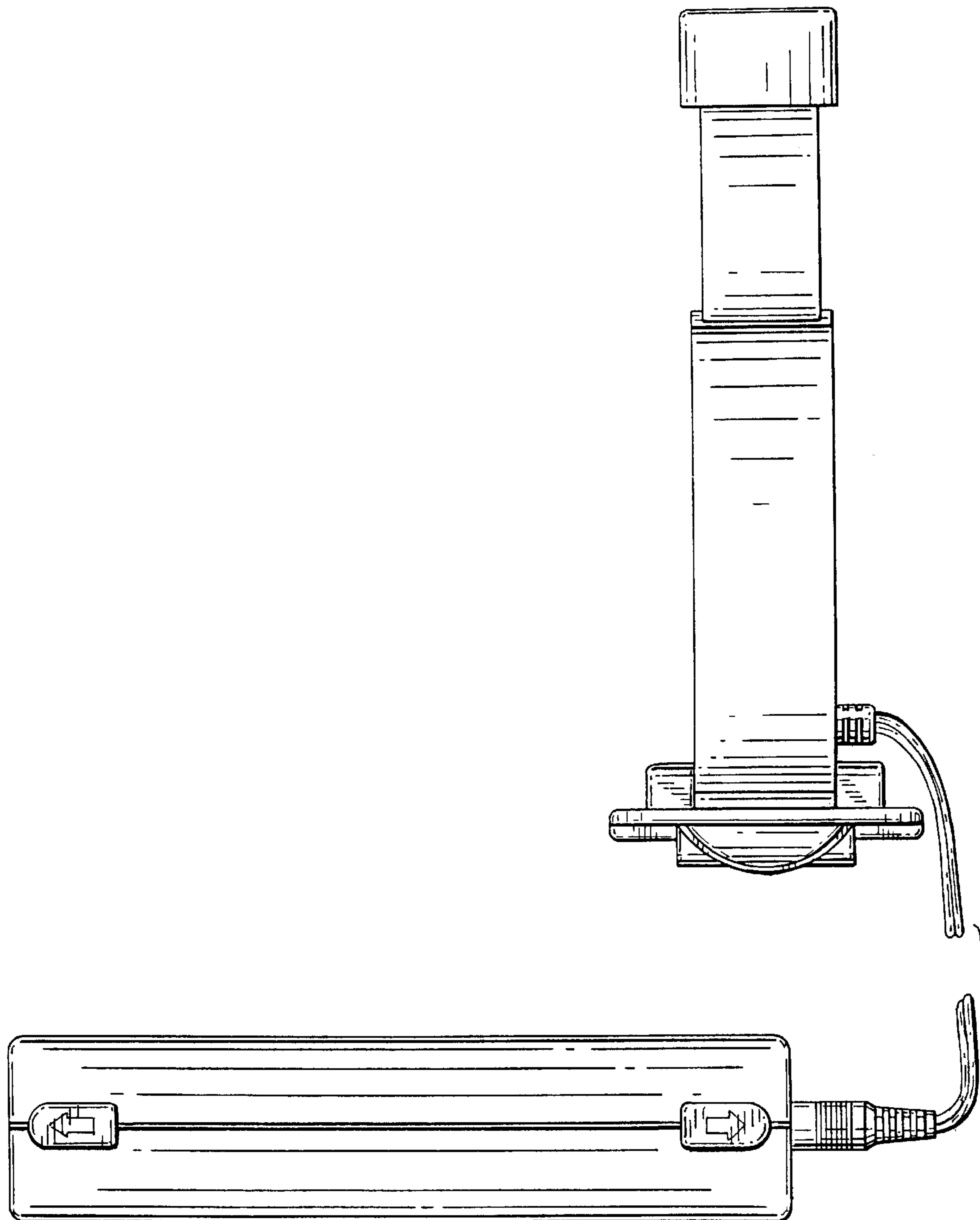


FIG. 2

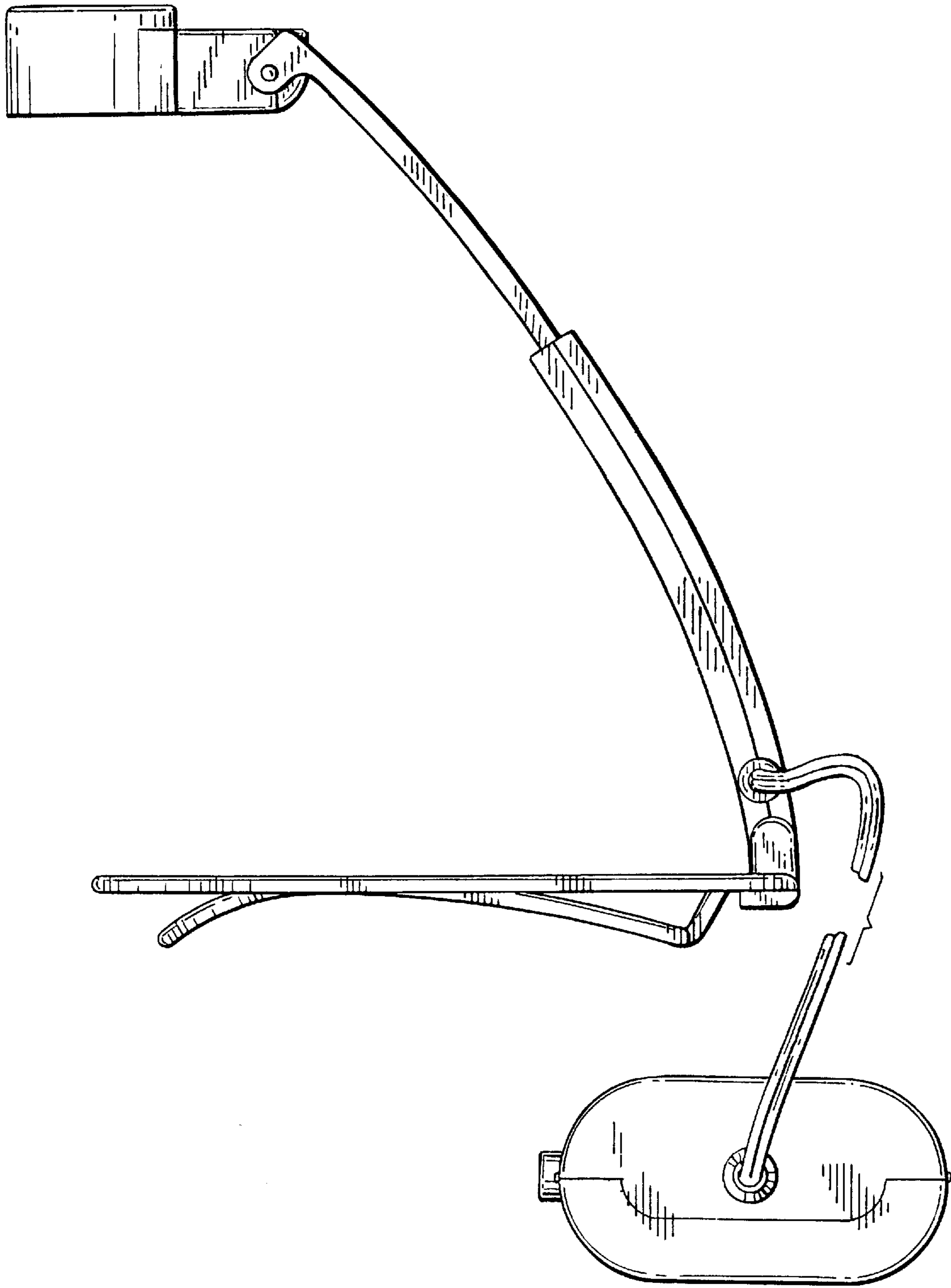


FIG.3

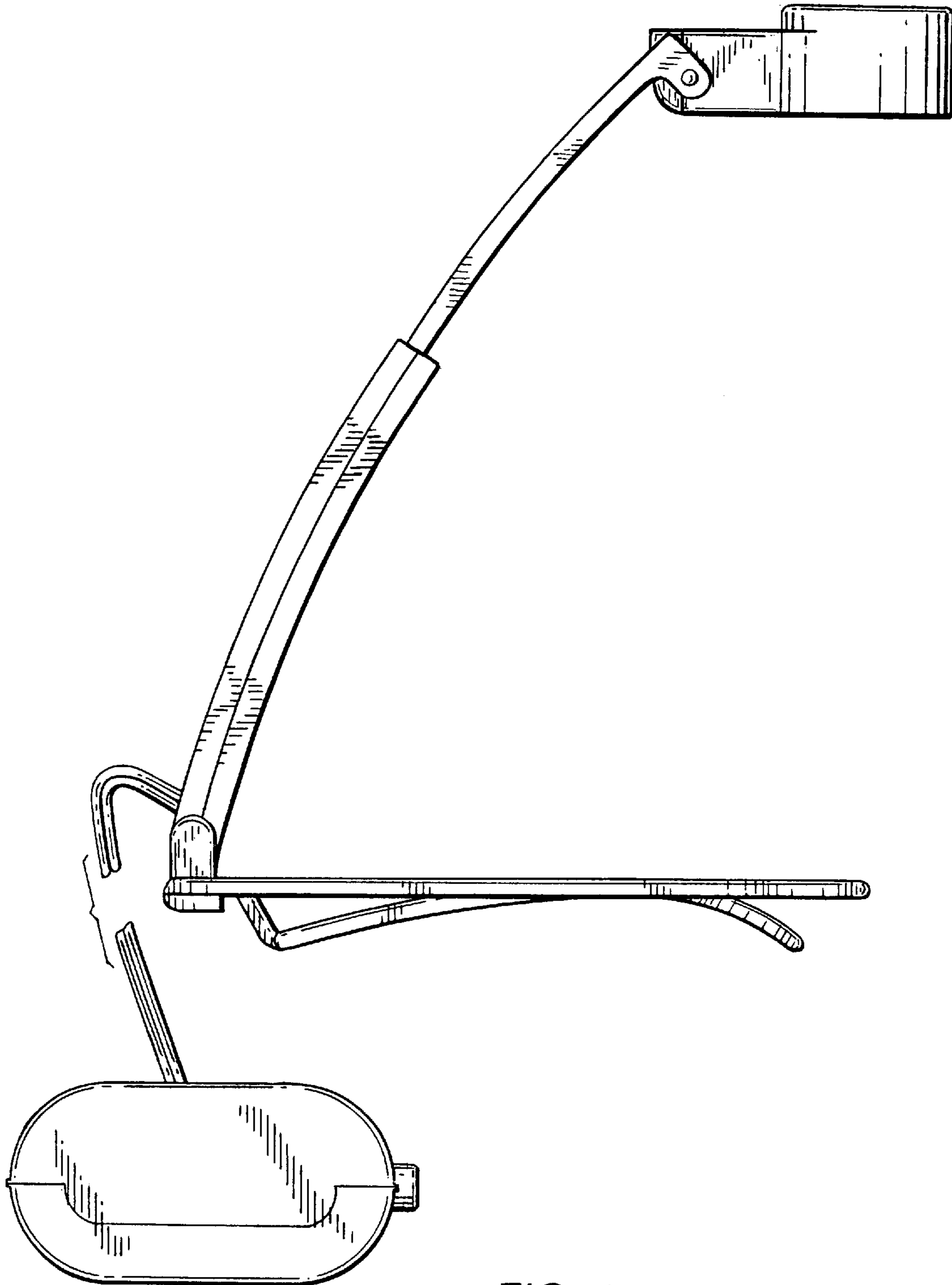


FIG. 4

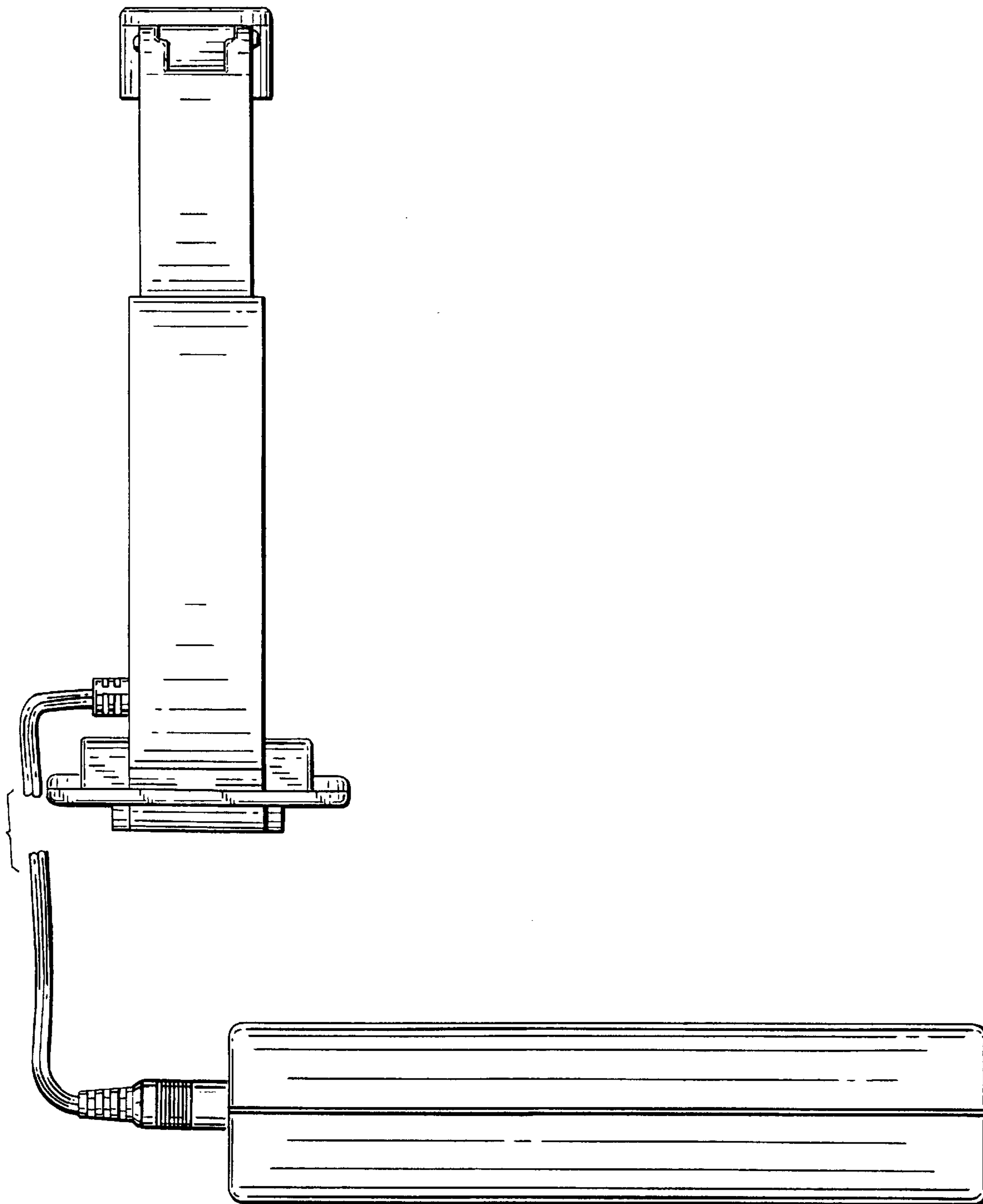


FIG. 5

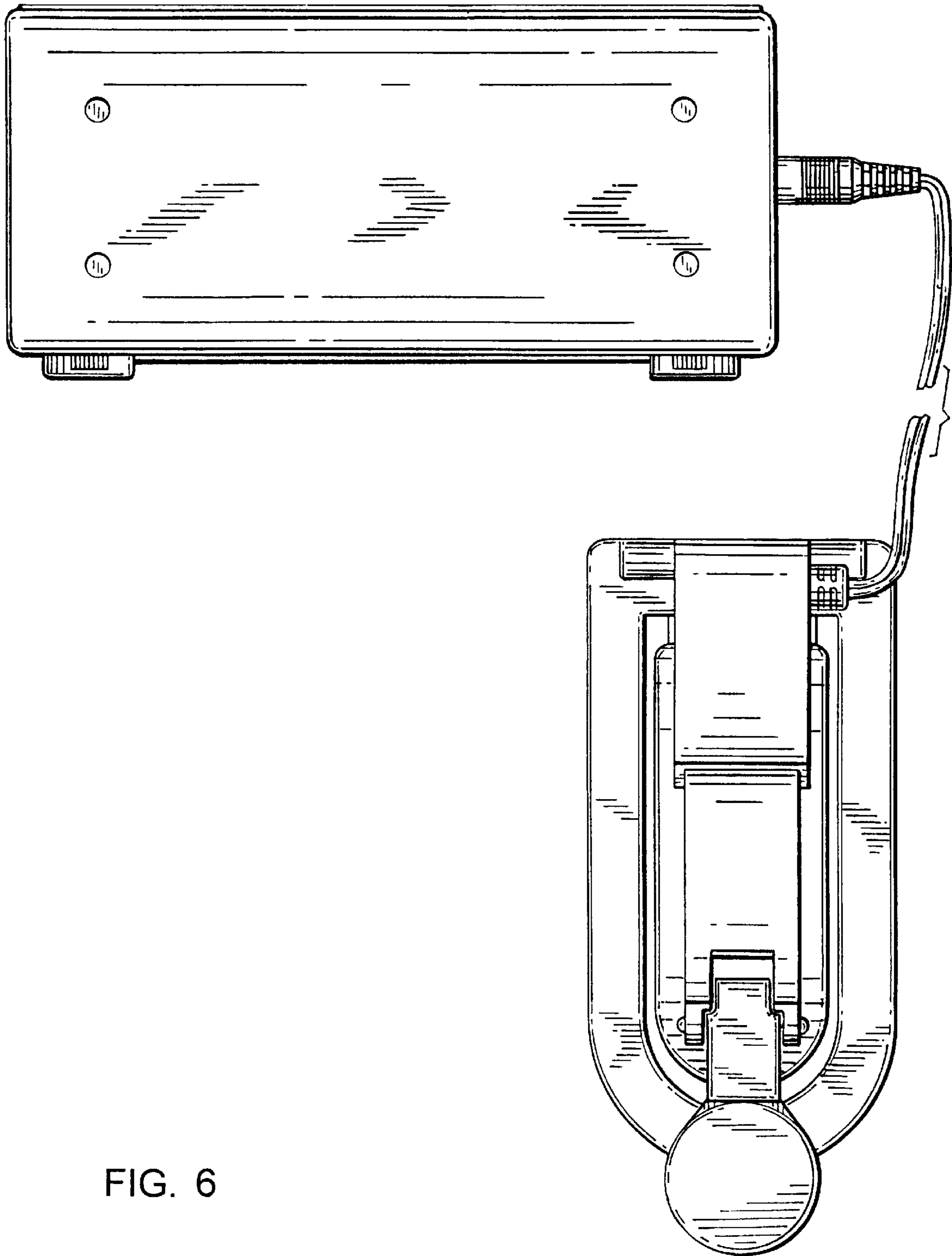


FIG. 6

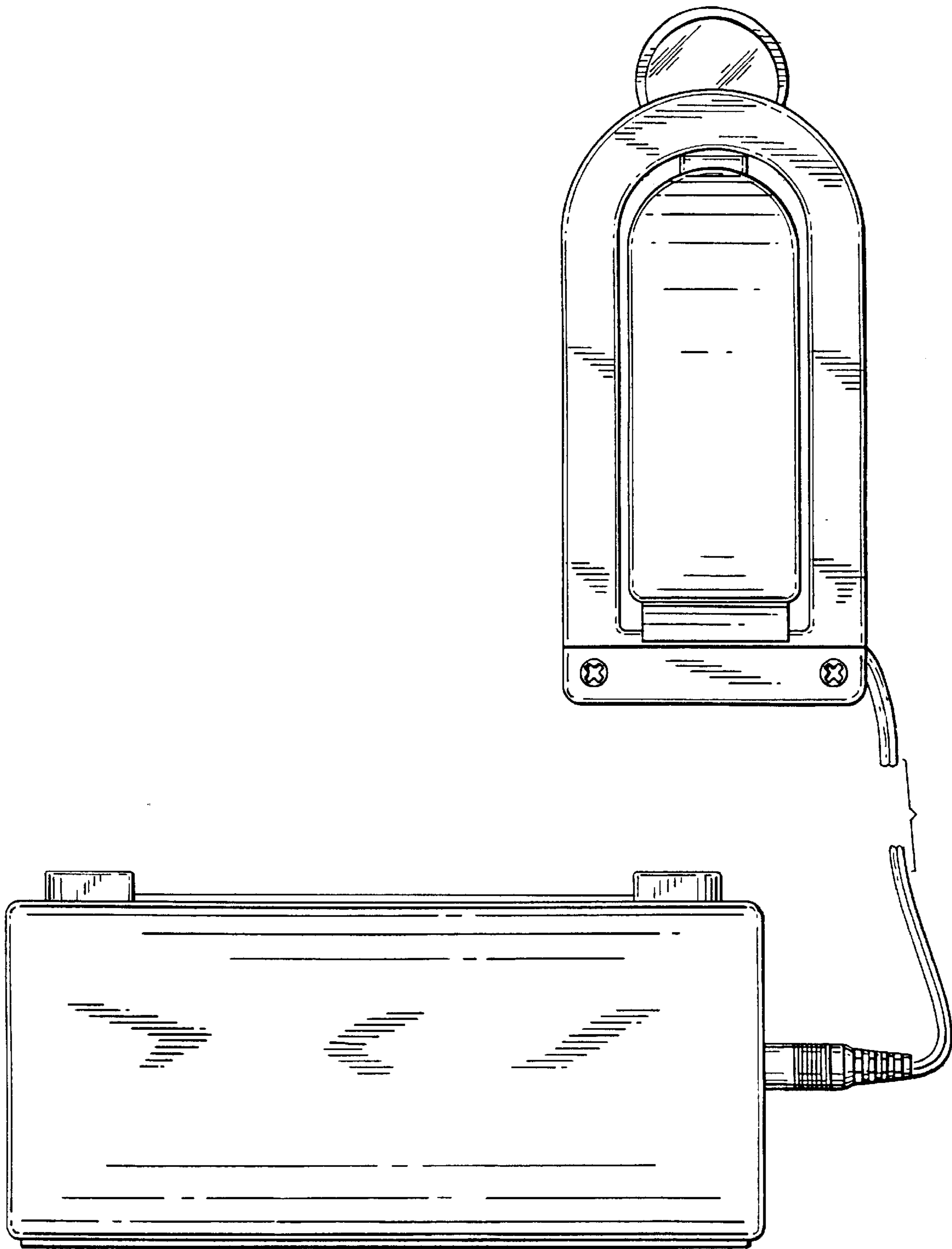


FIG. 7

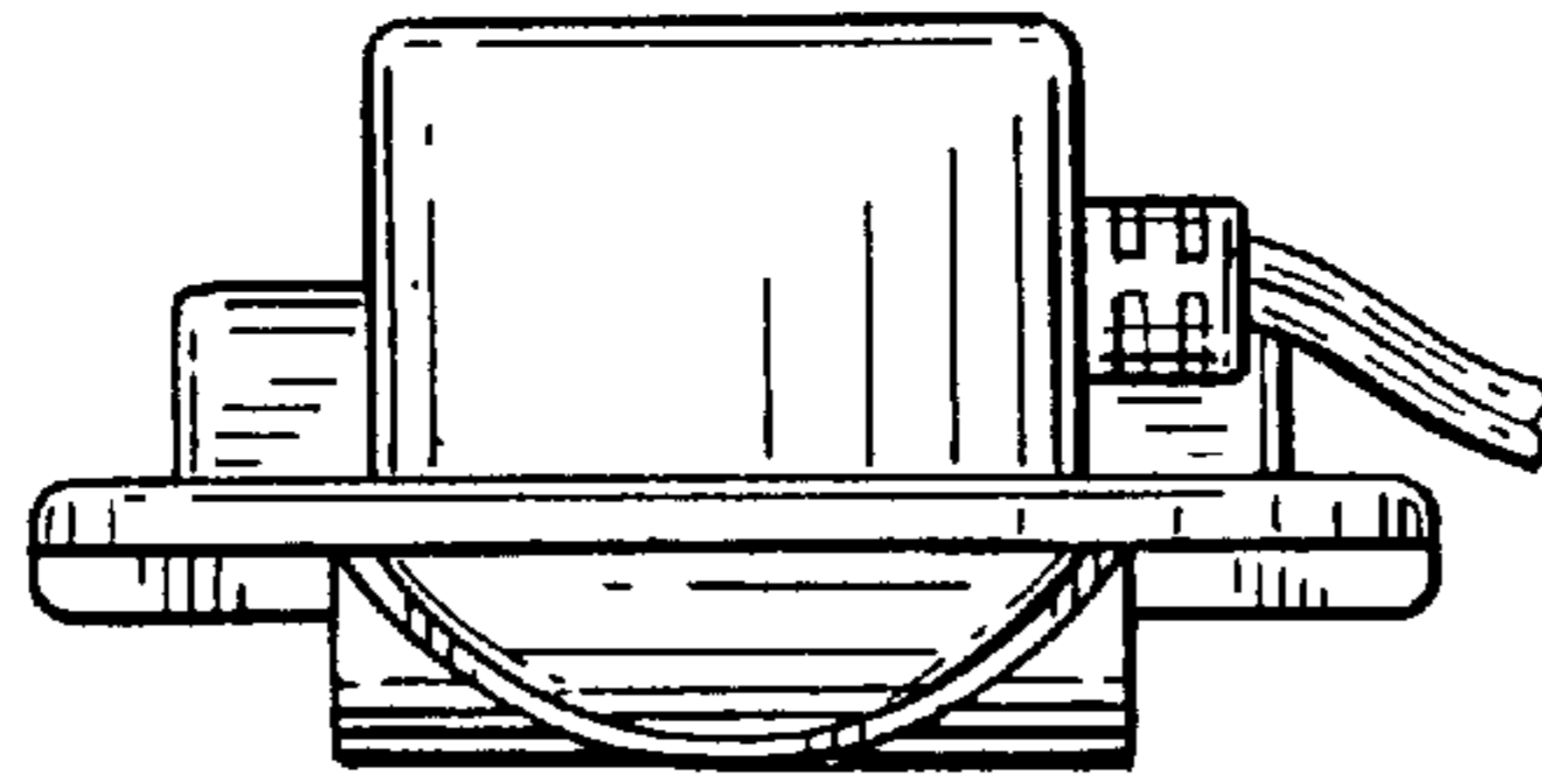


FIG. 8

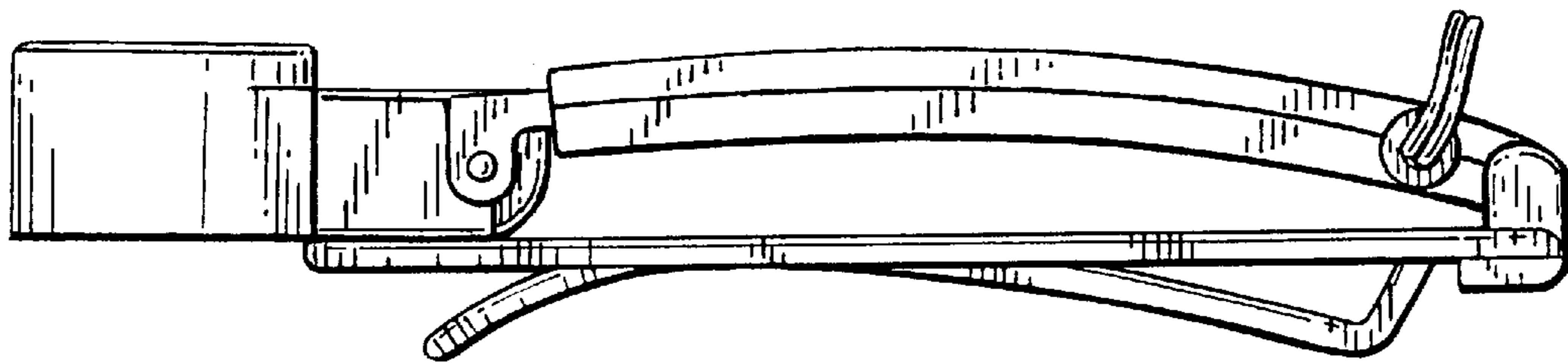


FIG. 9

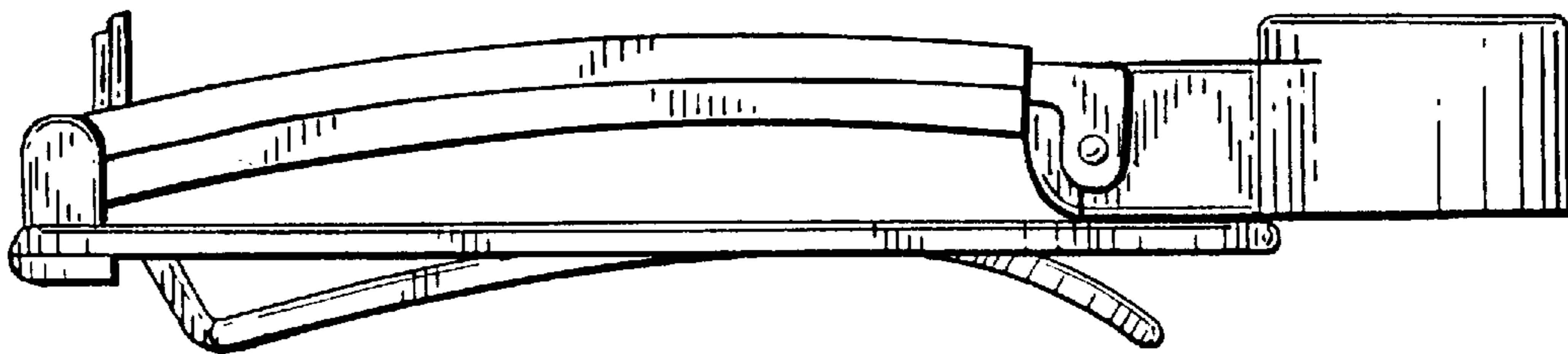


FIG. 10

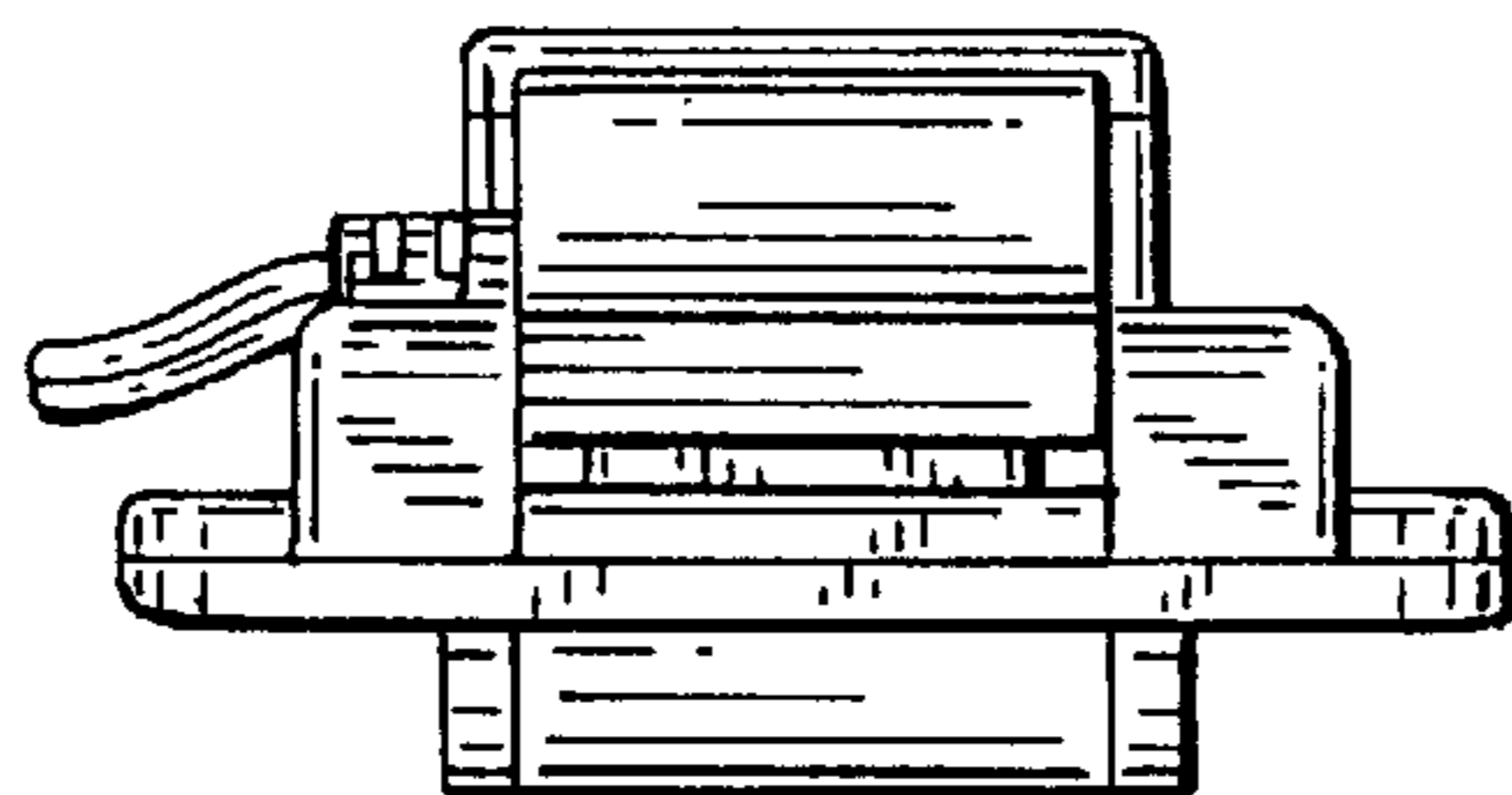


FIG. 11

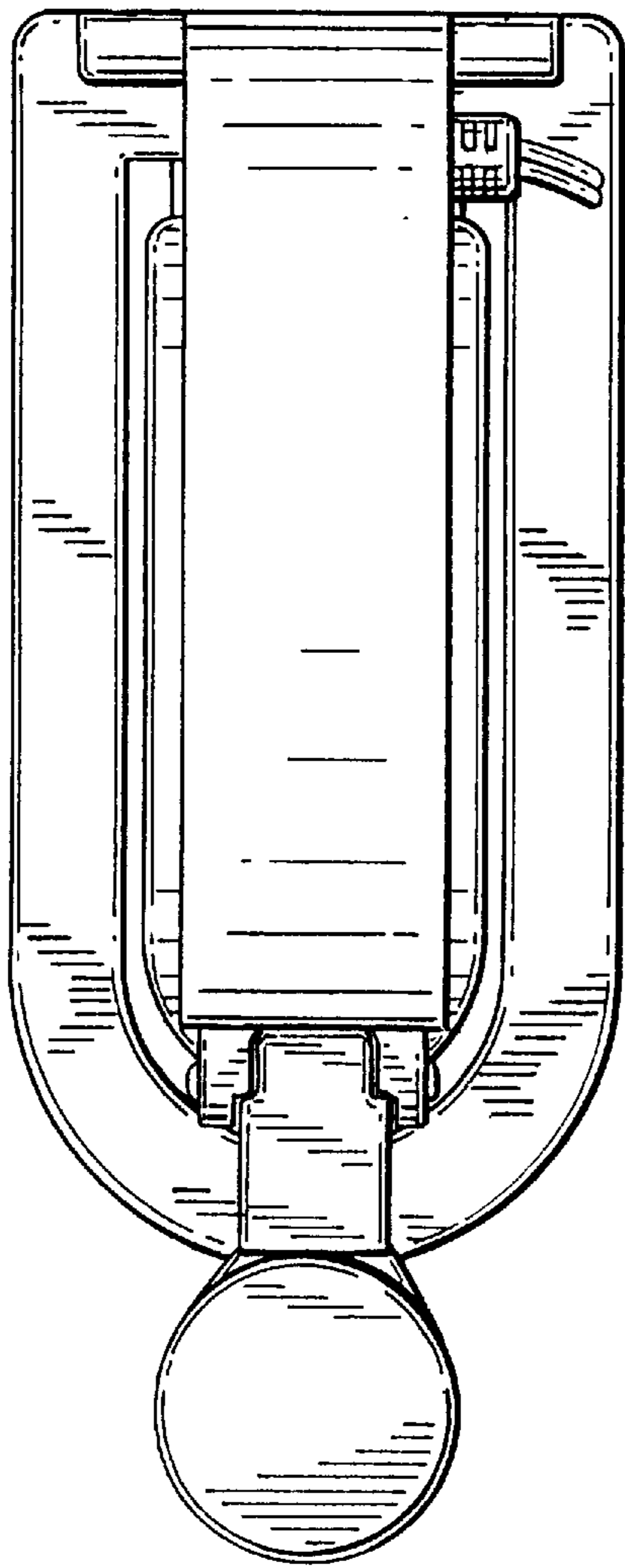


FIG. 12

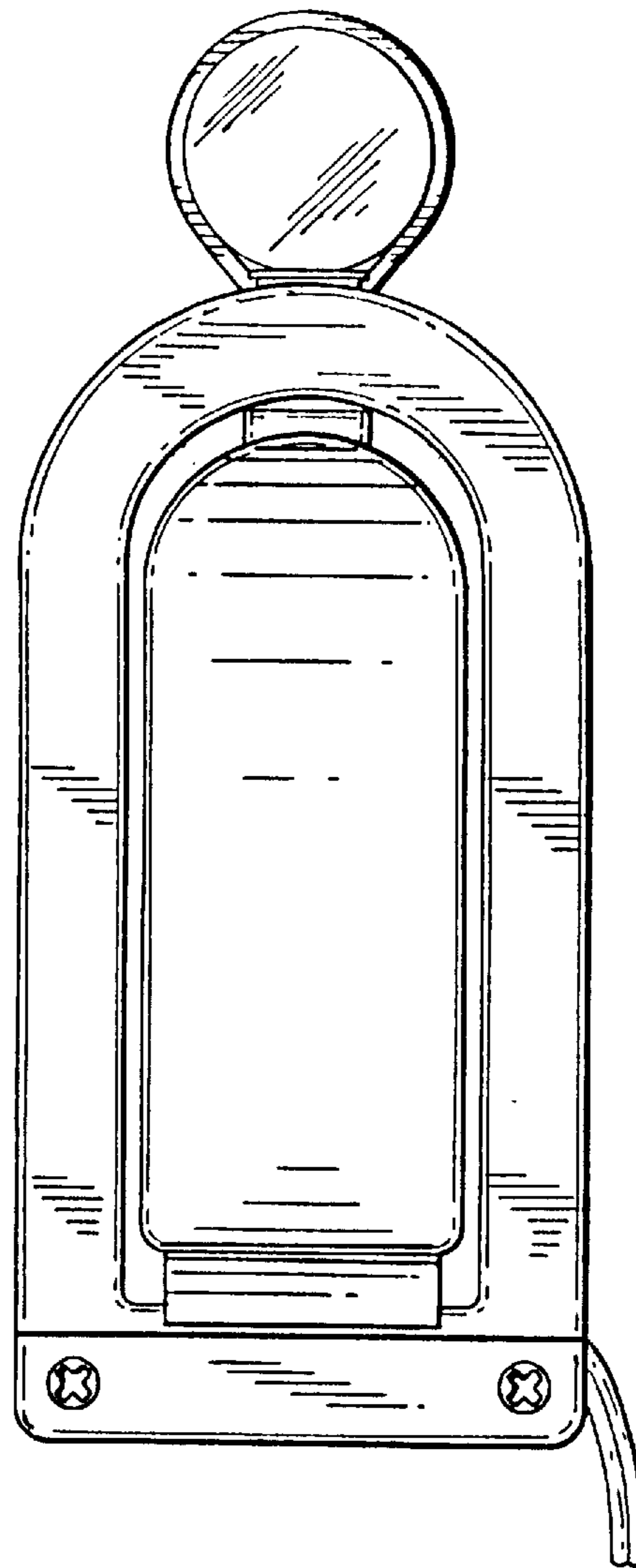


FIG. 13