



US00D395722S

United States Patent [19]

Howard et al.

[11] Patent Number: **Des. 395,722**

[45] Date of Patent: ****Jun. 30, 1998**

[54] FLASHLIGHT

5,422,798 6/1995 Osiecki et al. 322/206

[75] Inventors: **John Donaldson Howard**, Brewster, N.Y.; **Gary Evan van Deursen**, Evergreen, Colo.

Primary Examiner—Marcus A. Jackson
Attorney, Agent, or Firm—Fitzpatrick, Cella, Harper & Scinto

[73] Assignee: **The Coleman Company, Inc.**, Wichita, Kans.

[57] CLAIM

The ornamental design for a flashlight, as shown and described.

[**] Term: **14 Years**

DESCRIPTION

[21] Appl. No.: **71,567**

FIG. 1 is a perspective view of a flashlight;
FIG. 2 is a side elevational view of the flashlight depicted in FIG. 1, the opposite side elevational view being a mirror image;
FIG. 3 is a top view of the flashlight depicted in FIG. 1;
FIG. 4 is a bottom view of the flashlight depicted in FIG. 1;
FIG. 5 is a front elevational view of the flashlight depicted in FIG. 1;
FIG. 6 is a rear elevational view of the flashlight depicted in FIG. 1;
FIG. 7 is a perspective view of another embodiment of the flashlight;
FIG. 8 is a side elevational view of the flashlight depicted in FIG. 7, the opposite side elevational view being a mirror image;
FIG. 9 is a top view of the flashlight depicted in FIG. 7;
FIG. 10 is a bottom view of the flashlight depicted in FIG. 7;
FIG. 11 is a front elevational view of the flashlight depicted in FIG. 7; and,
FIG. 12 is a rear elevational view of the flashlight depicted in FIG. 7.

[22] Filed: **Jun. 2, 1997**

[51] LOC (6) Cl. **26-06**

[52] U.S. Cl. **D26/49**

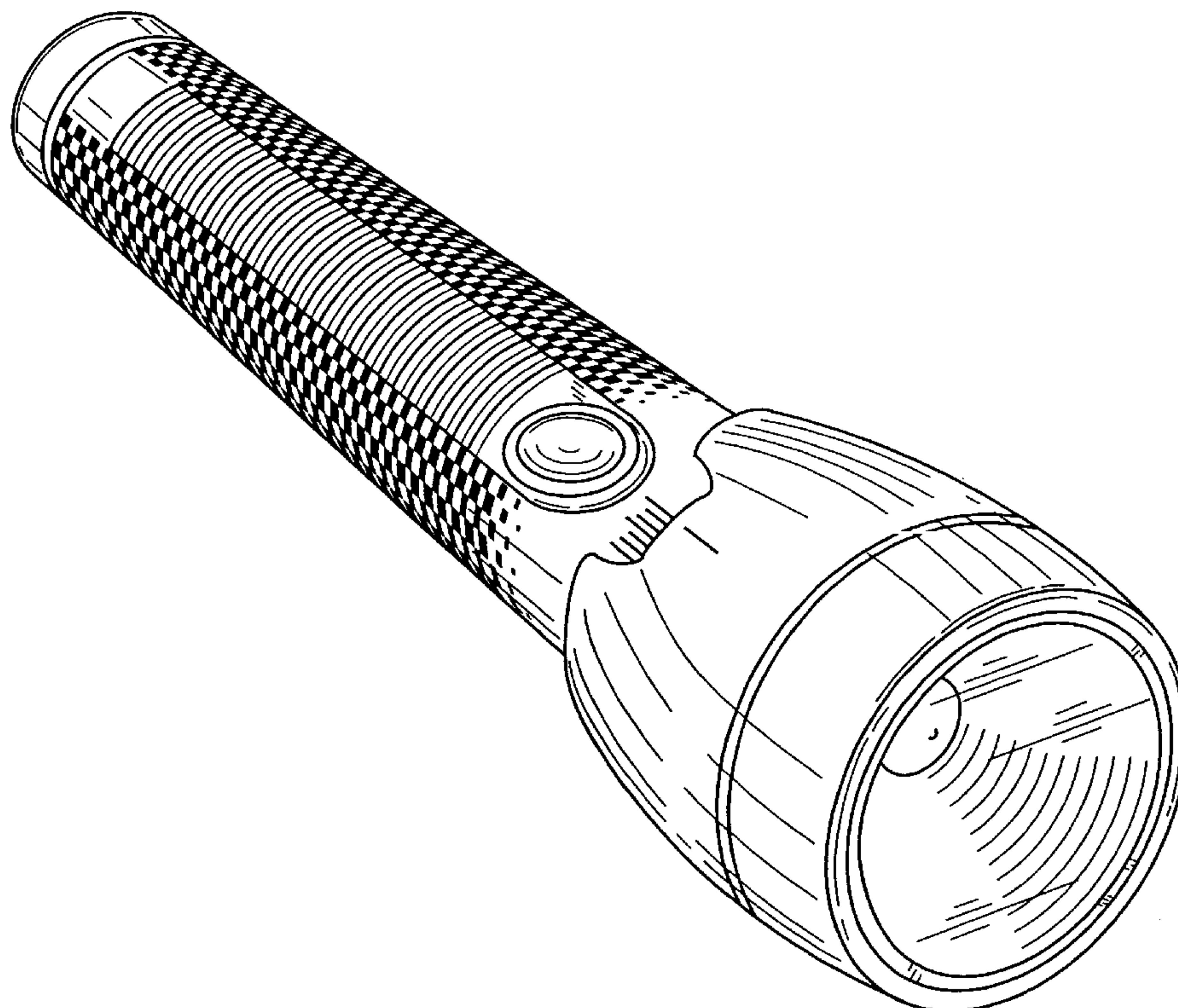
[58] Field of Search D26/37-50; 362/157, 362/158, 160, 161, 168, 171, 173, 178, 179, 180, 183-208

[56] References Cited

U.S. PATENT DOCUMENTS

D. 149,226	5/1948	Amstutz	D26/49
D. 312,138	11/1990	Burns	D26/49
D. 348,112	6/1994	Maglica	D26/49
D. 351,477	10/1994	Bamber	D26/49
D. 357,760	4/1995	Osiecki et al.	D26/49
D. 367,721	3/1996	Maglica	D26/49
D. 368,147	3/1996	Bamber et al.	D26/49
2,210,312	8/1940	Wood	D26/49
2,518,437	8/1950	Amstutz	D26/49
3,017,502	1/1962	Dent	D26/49
3,067,324	12/1962	Thompson	D26/49
4,135,230	1/1979	Armbruster	362/206
4,843,526	6/1989	Price, III	361/187

1 Claim, 6 Drawing Sheets



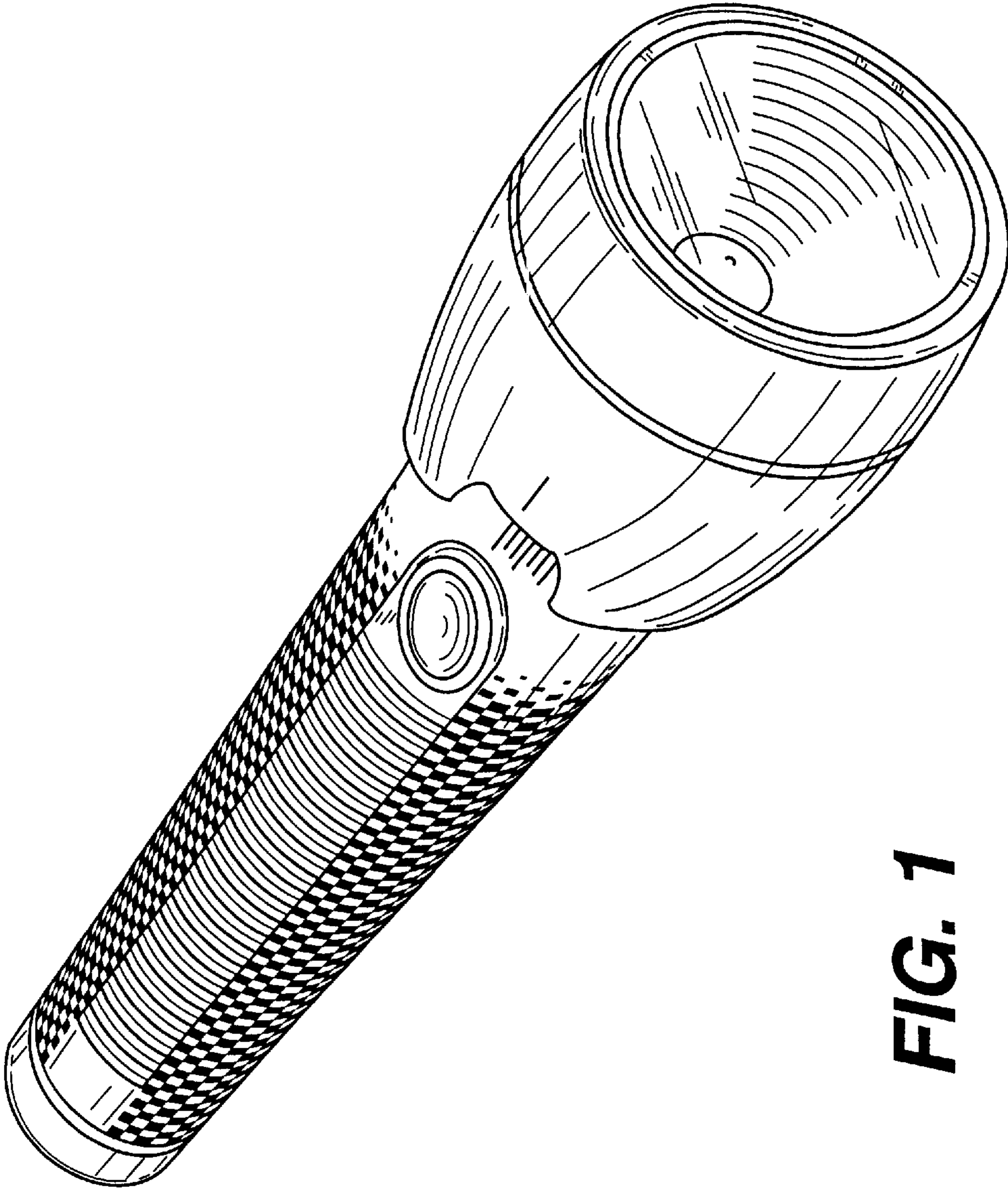


FIG. 1

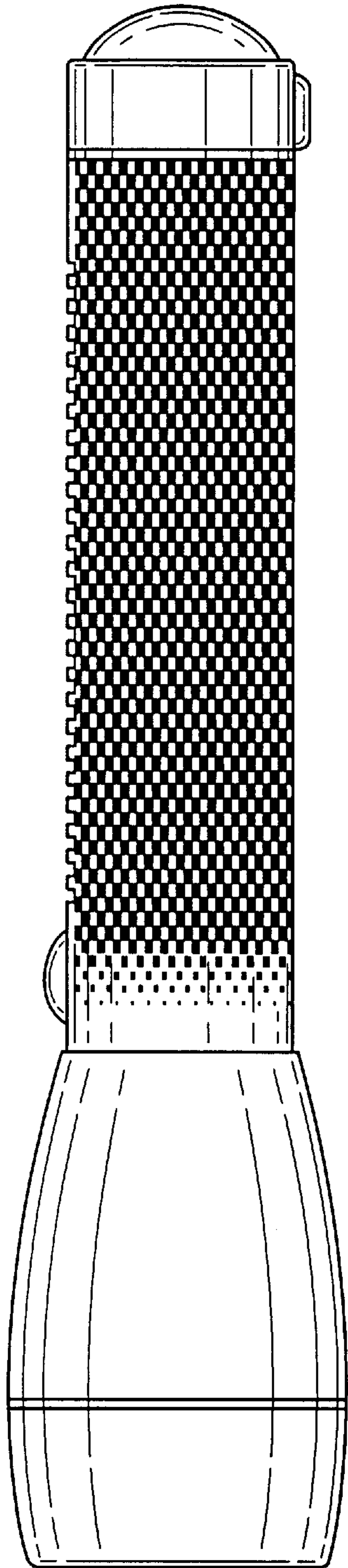


FIG. 2

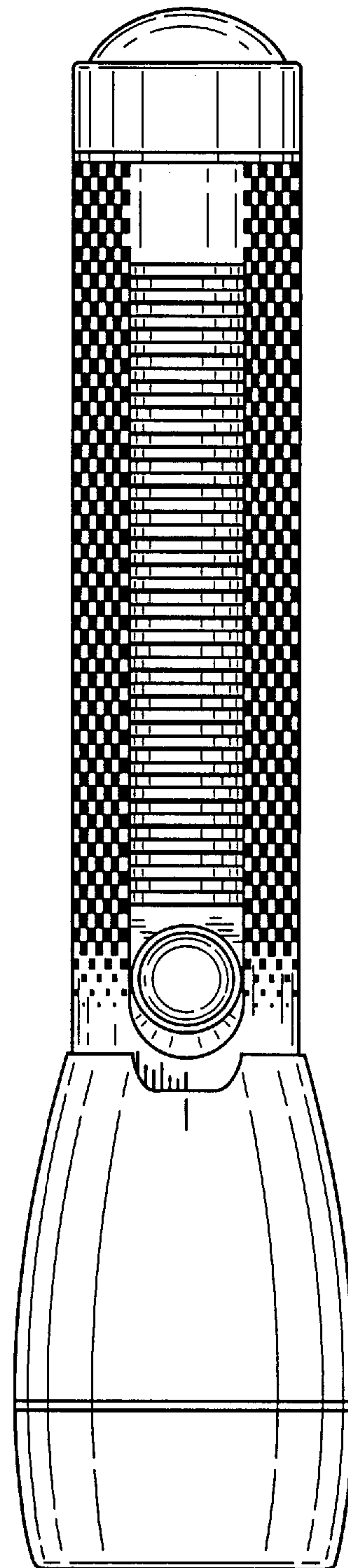


FIG. 3

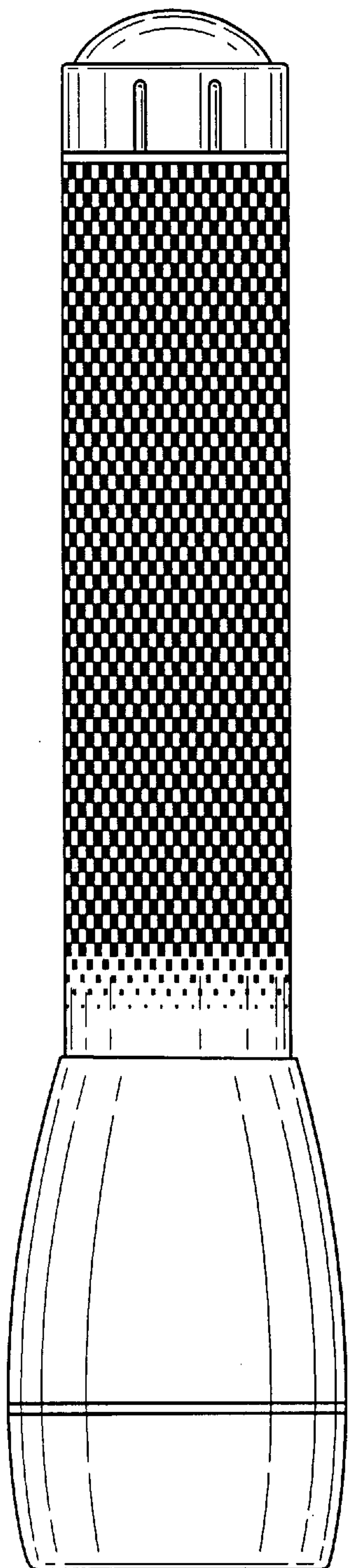


FIG. 4

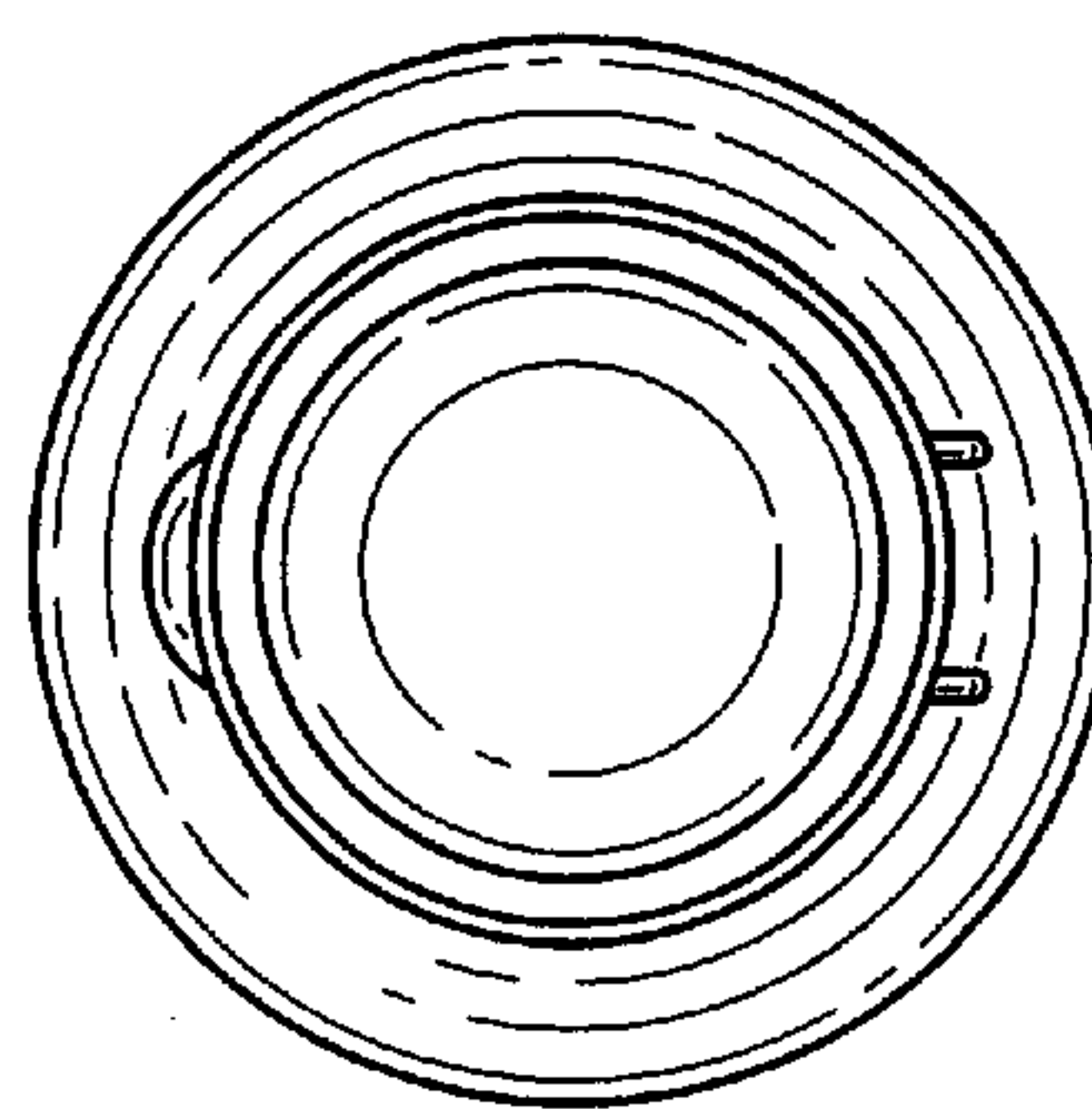


FIG. 6

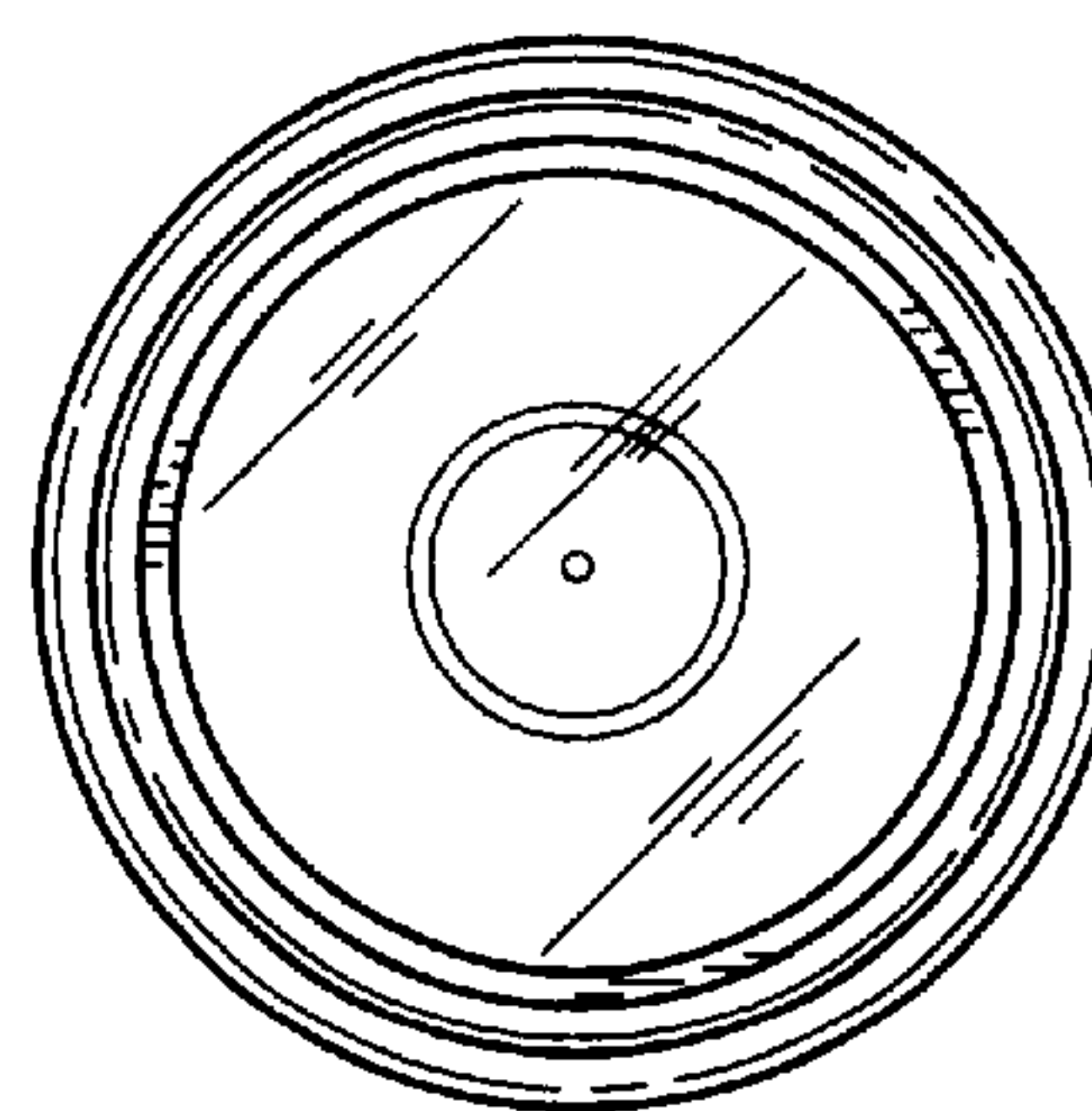


FIG. 5

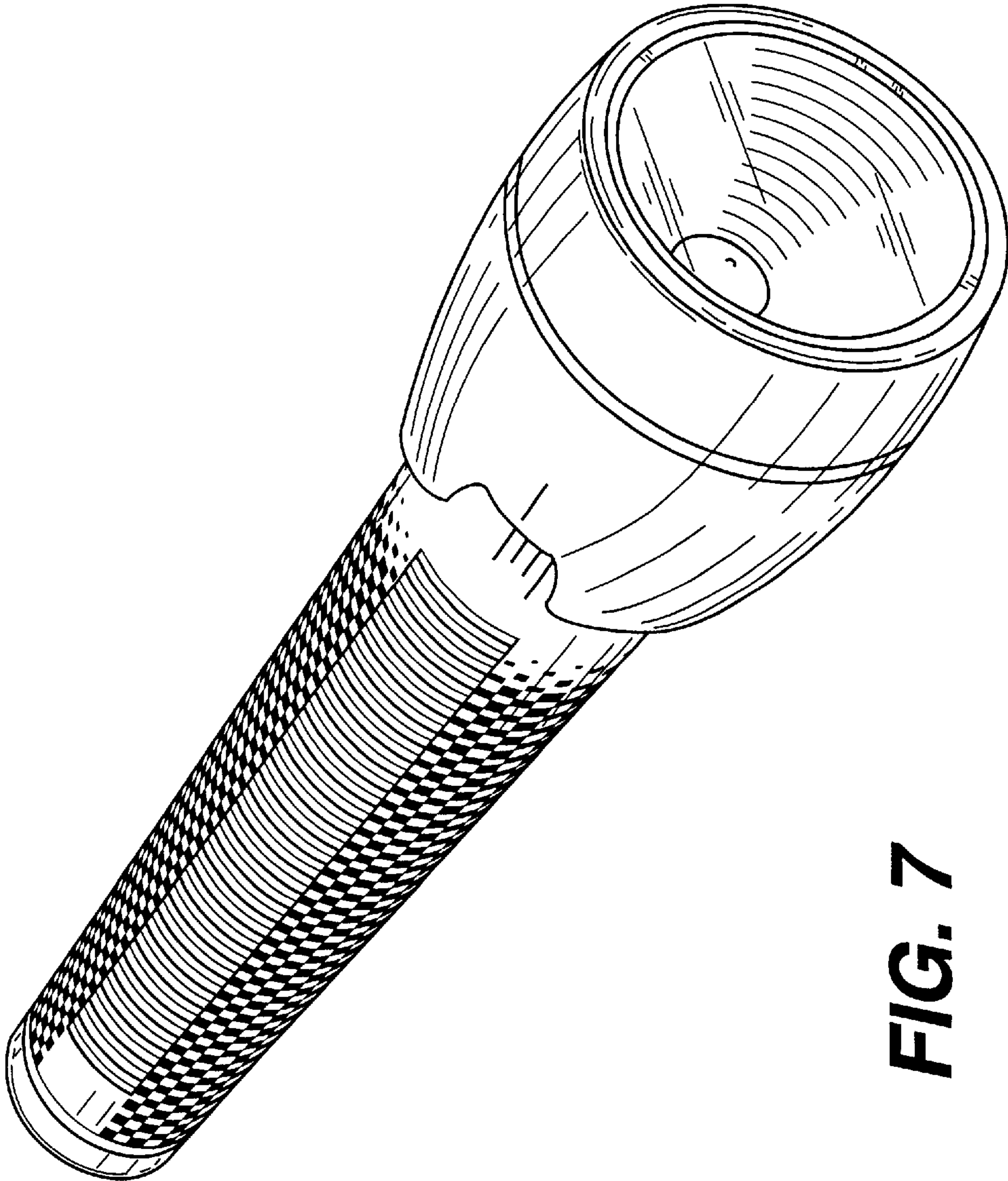


FIG. 7

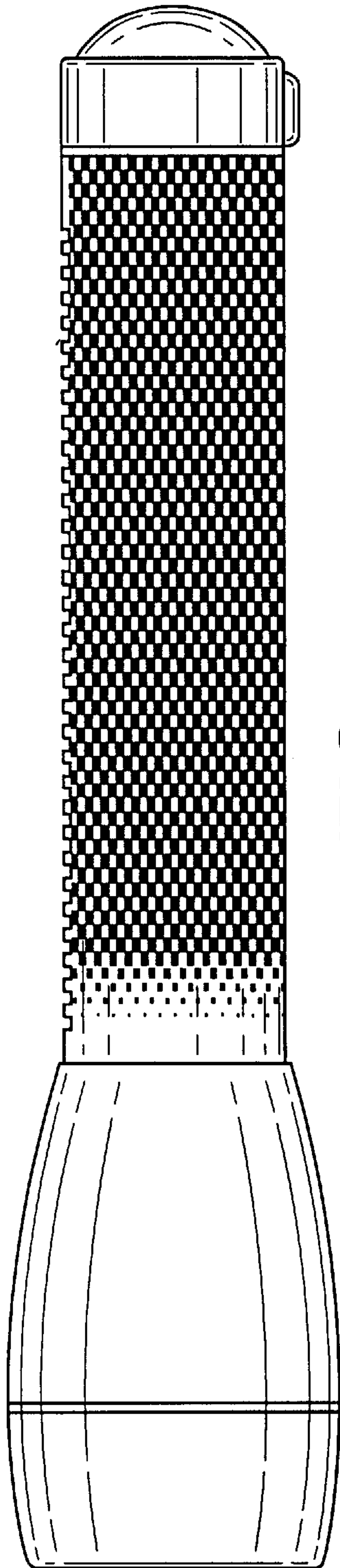


FIG. 8

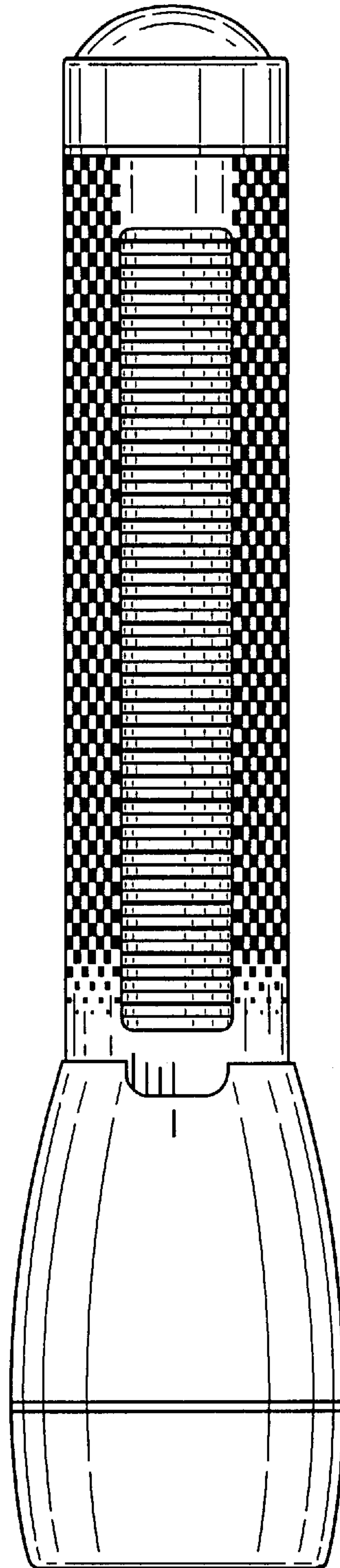


FIG. 9

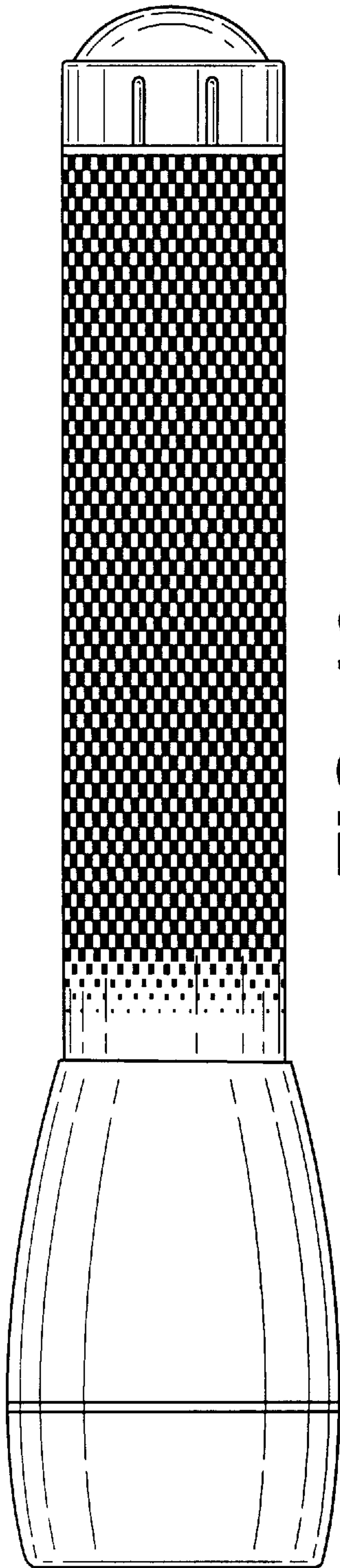


FIG. 10

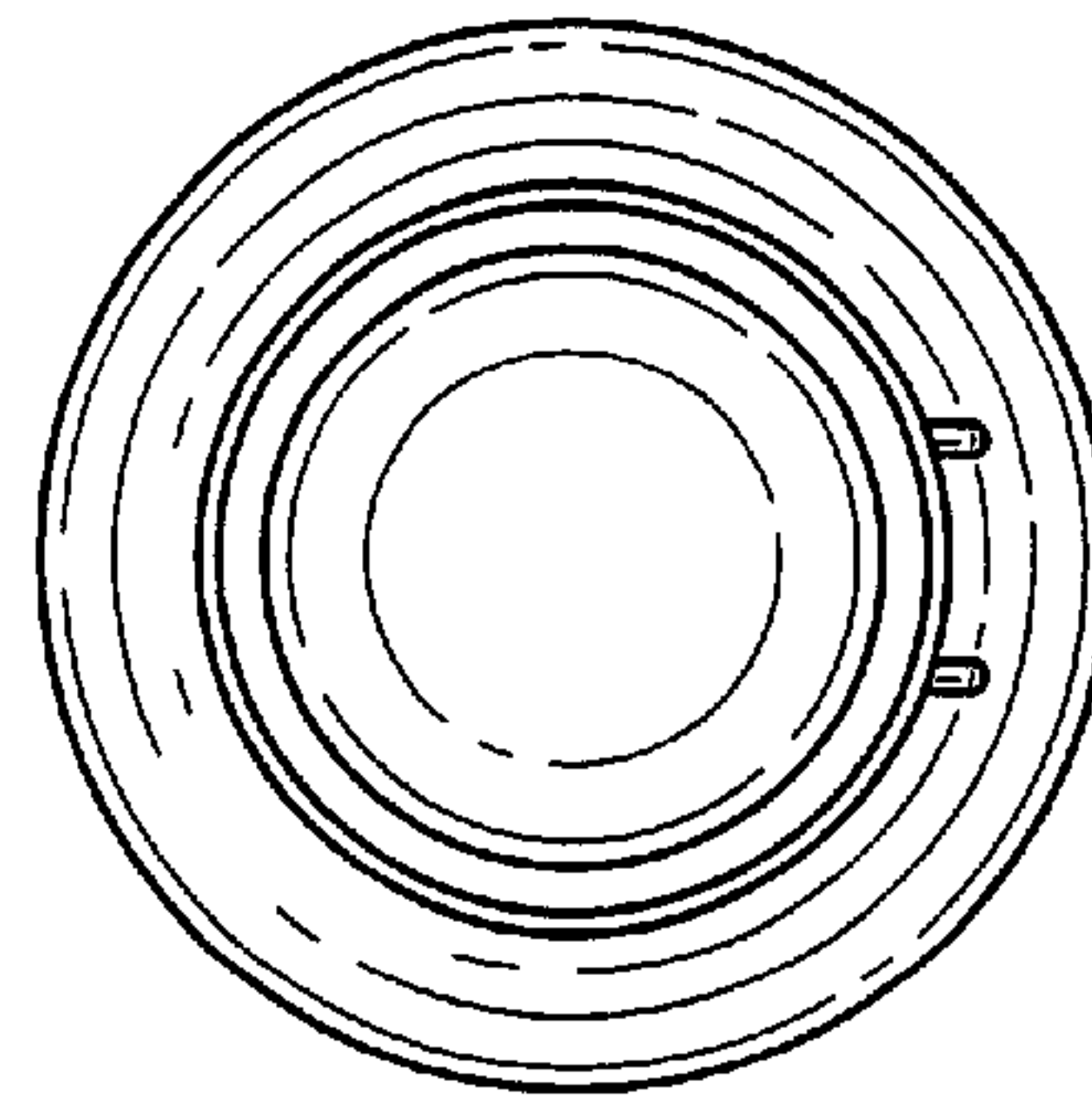


FIG. 12

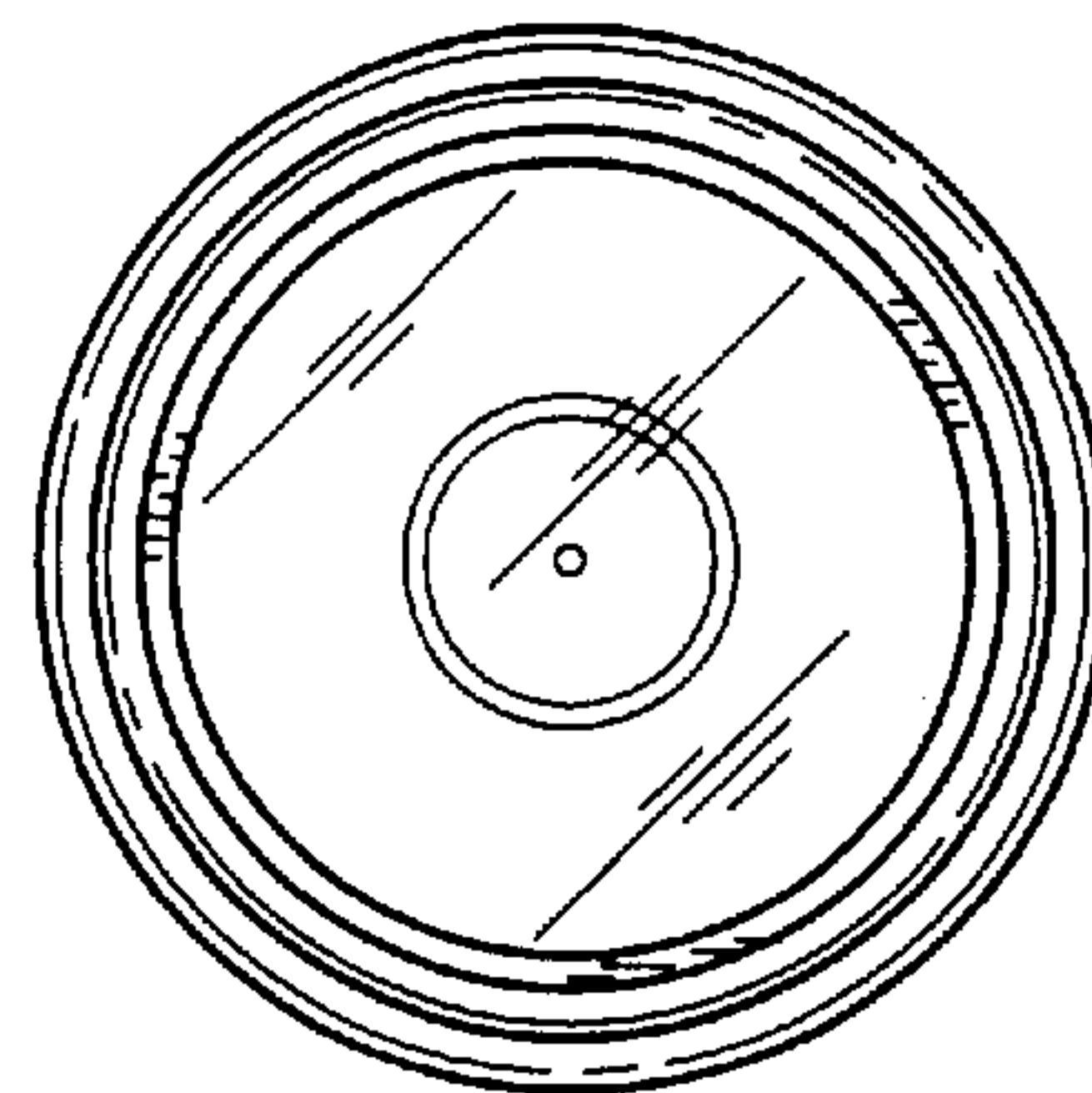


FIG. 11