



US00D395721S

**United States Patent** [19]  
**Wan**

[11] **Patent Number: Des. 395,721**

[45] **Date of Patent: \*\*Jun. 30, 1998**

[54] **COMBINED LIGHTING DEVICE, RADIO AND CASSETTE PLAYER**

D. 371,356 7/1996 Maruyama ..... D26/38  
D. 377,173 1/1997 Yuen ..... D26/38

[75] Inventor: **Yiu Kwong Wan**, Hong Kong, Hong Kong

*Primary Examiner*—Marcus A. Jackson  
*Attorney, Agent, or Firm*—Reese Taylor

[73] Assignee: **Fee Tat Holdings (H.K.) Limited**, Hong Kong, Hong Kong

[57] **CLAIM**

[\*\*] Term: **14 Years**

The ornamental design for a combined lighting device, radio and cassette player, as shown and described.

[21] Appl. No.: **70,921**

**DESCRIPTION**

[22] Filed: **May 12, 1997**

[30] **Foreign Application Priority Data**

Nov. 11, 1996 [GB] United Kingdom ..... 2060720

[51] **LOC (6) Cl.** ..... **26-02**

[52] **U.S. Cl.** ..... **D26/38; D14/168**

[58] **Field of Search** ..... D26/37-50; D14/168, D14/188, 189, 192-198; 362/157, 158, 183-191, 194-205

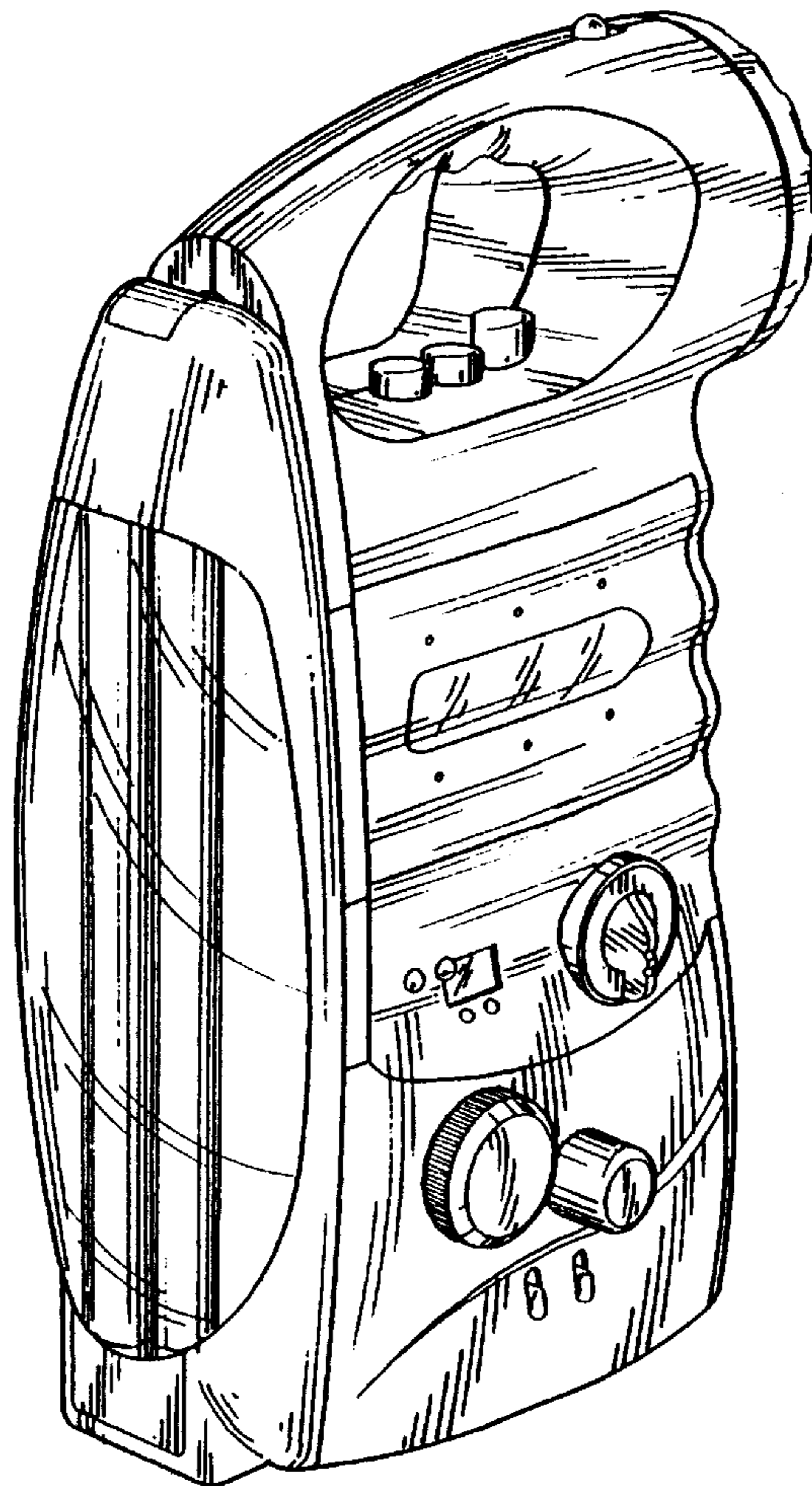
FIG. 1 is a perspective view showing my new design for a combined lighting device, radio and cassette player;  
FIG. 2 is a top plan view thereof;  
FIG. 3 is a front elevational view thereof;  
FIG. 4 is a side elevational view thereof taken from the left of FIG. 3;  
FIG. 5 is a side elevational view thereof taken from the right of FIG. 3;  
FIG. 6 is a rear elevational view thereof;  
FIG. 7 is a bottom plan view thereof;  
FIG. 8 is a perspective view of the invention similar to FIG. 1 with the handle extended;  
FIG. 9 is a front elevational view with the handle extended; and,  
FIG. 10 is a top plan view with the handle extended.

[56] **References Cited**

**U.S. PATENT DOCUMENTS**

D. 293,481 12/1987 Ohashi ..... D26/38  
D. 354,054 1/1995 Shitama ..... D26/38

**1 Claim, 7 Drawing Sheets**



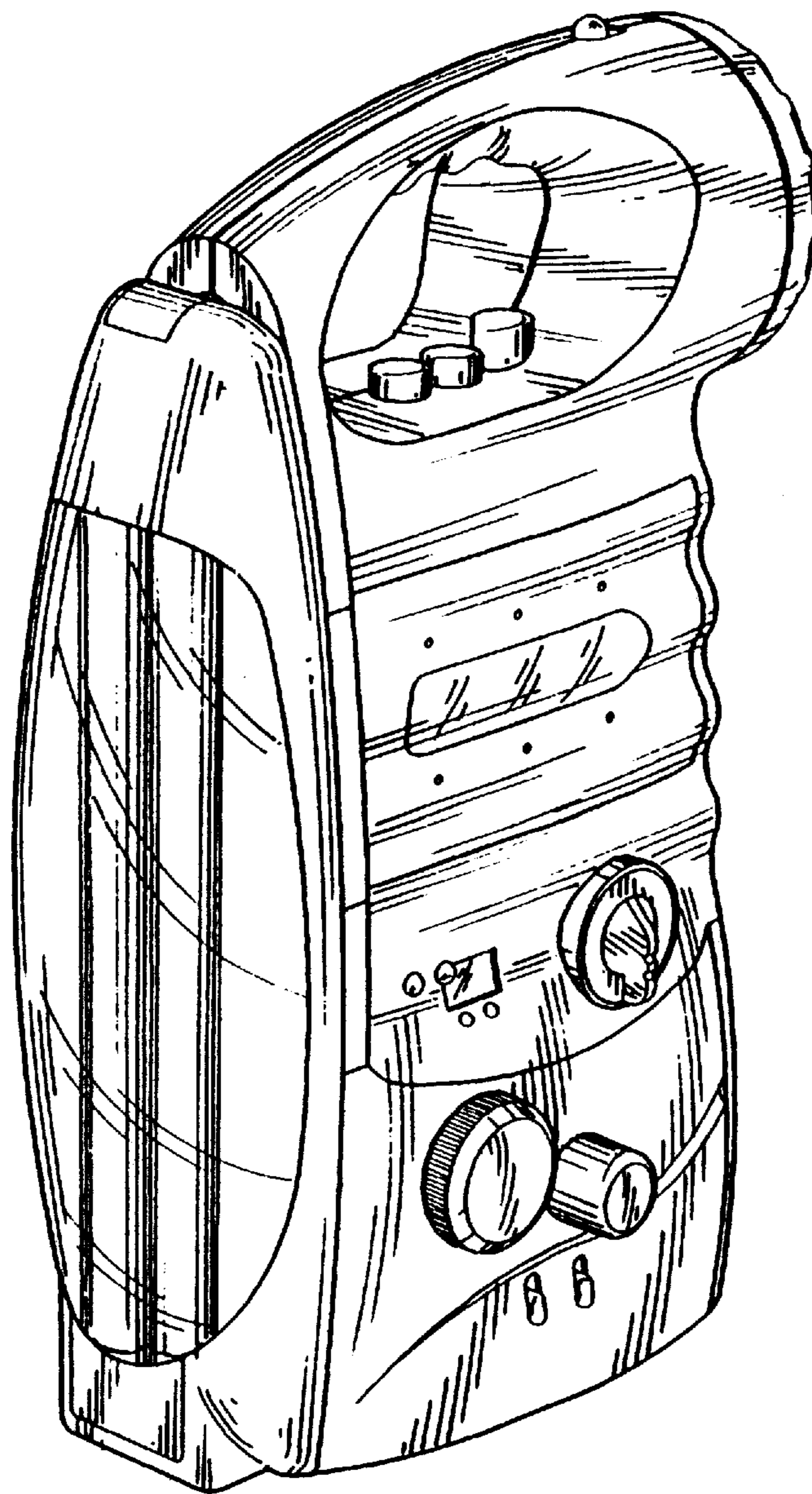


FIG. 1

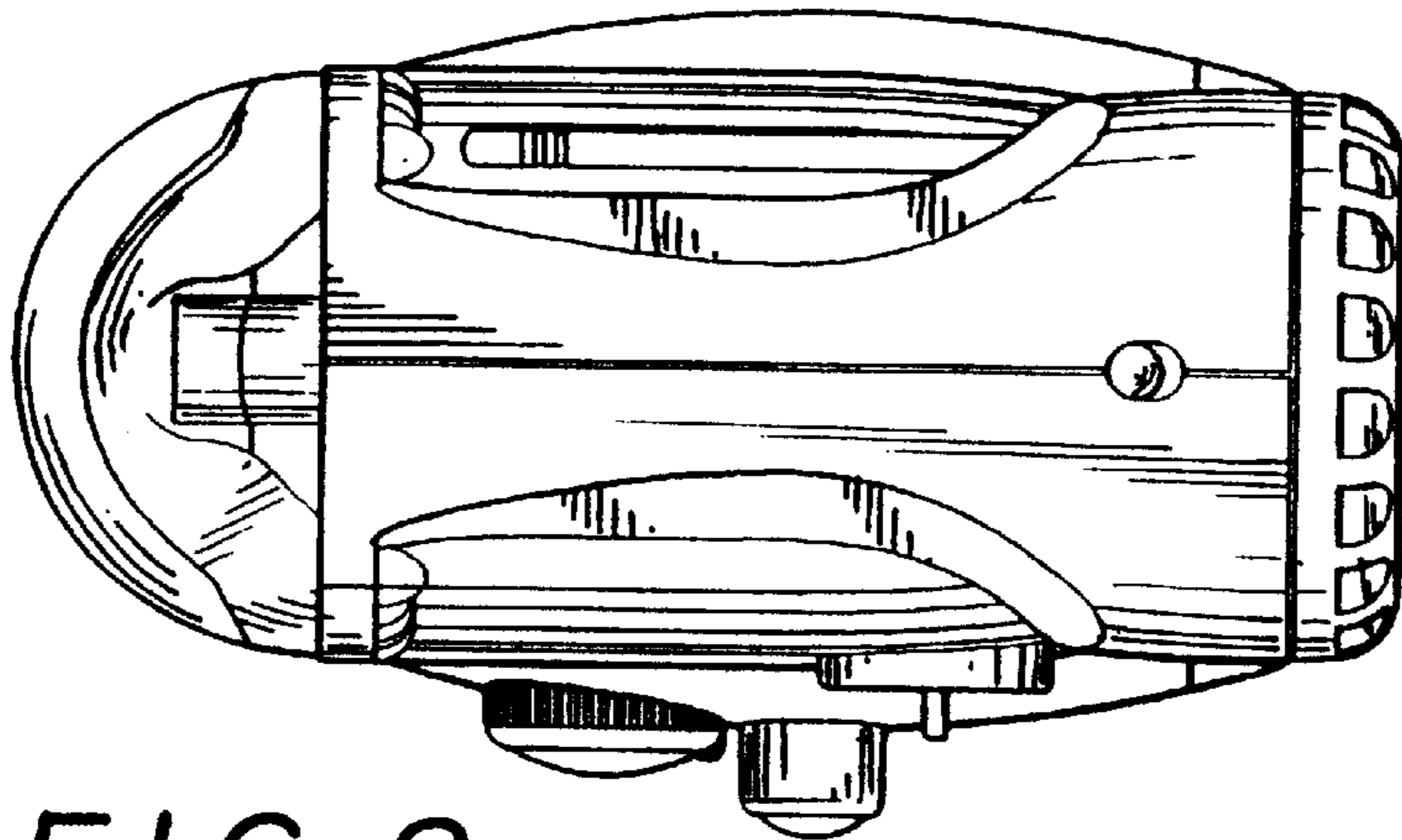


FIG. 2

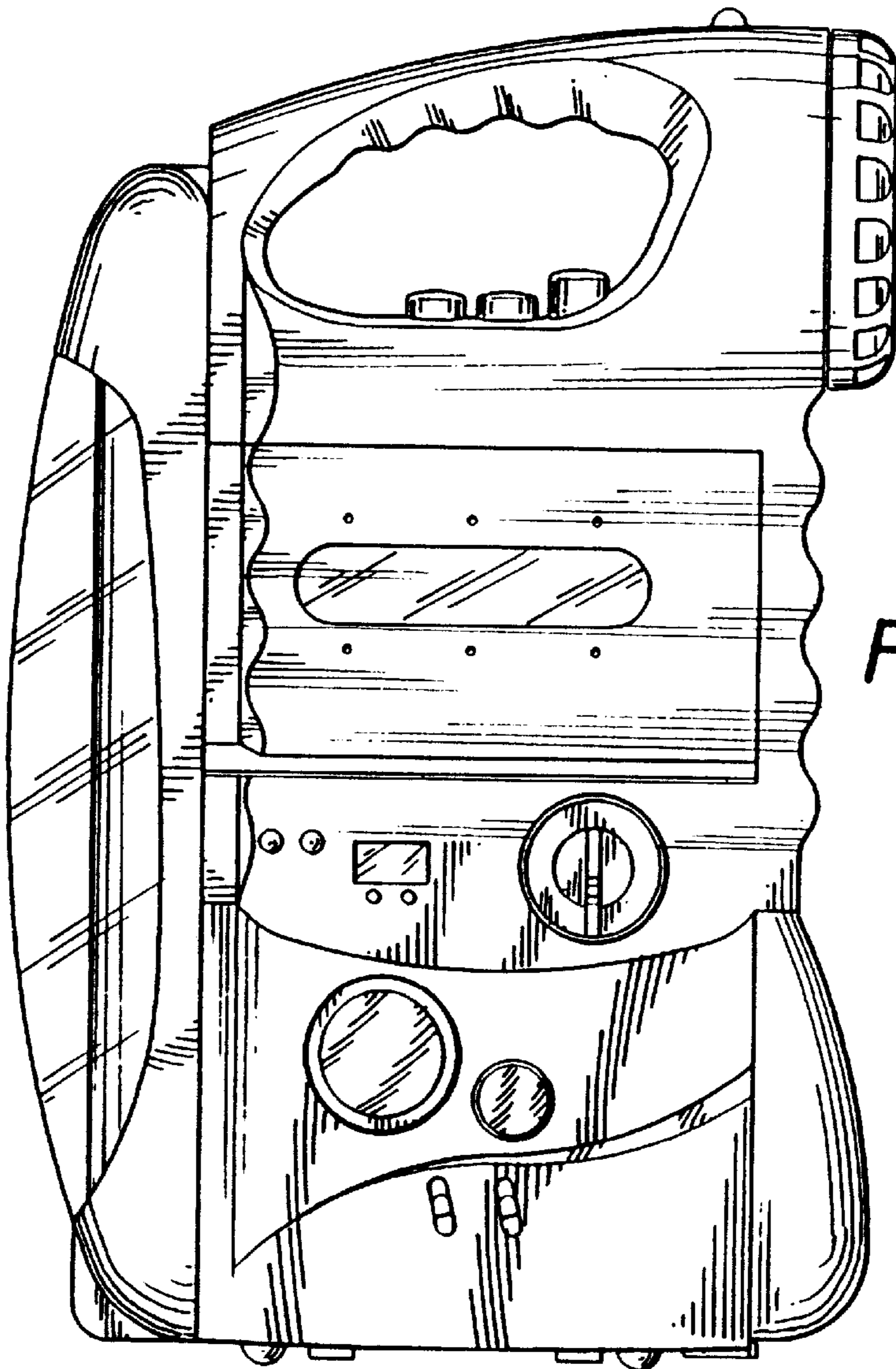


FIG. 3



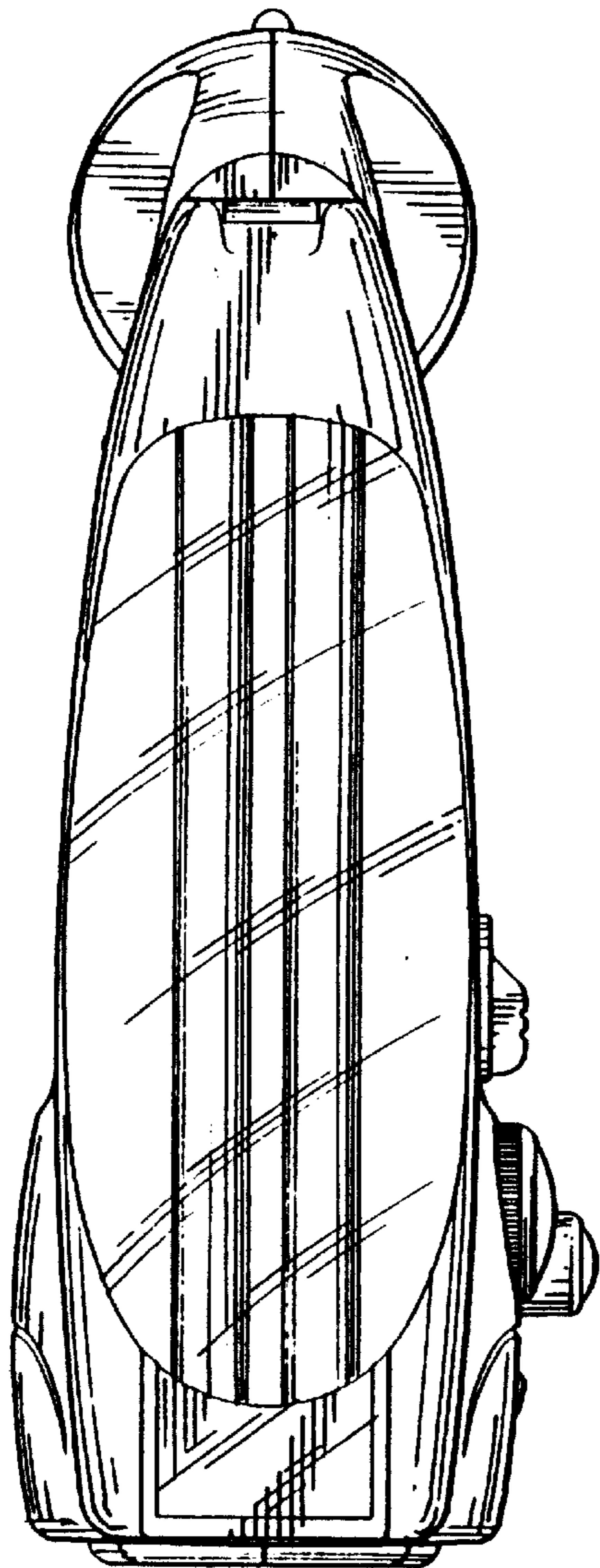


FIG. 4

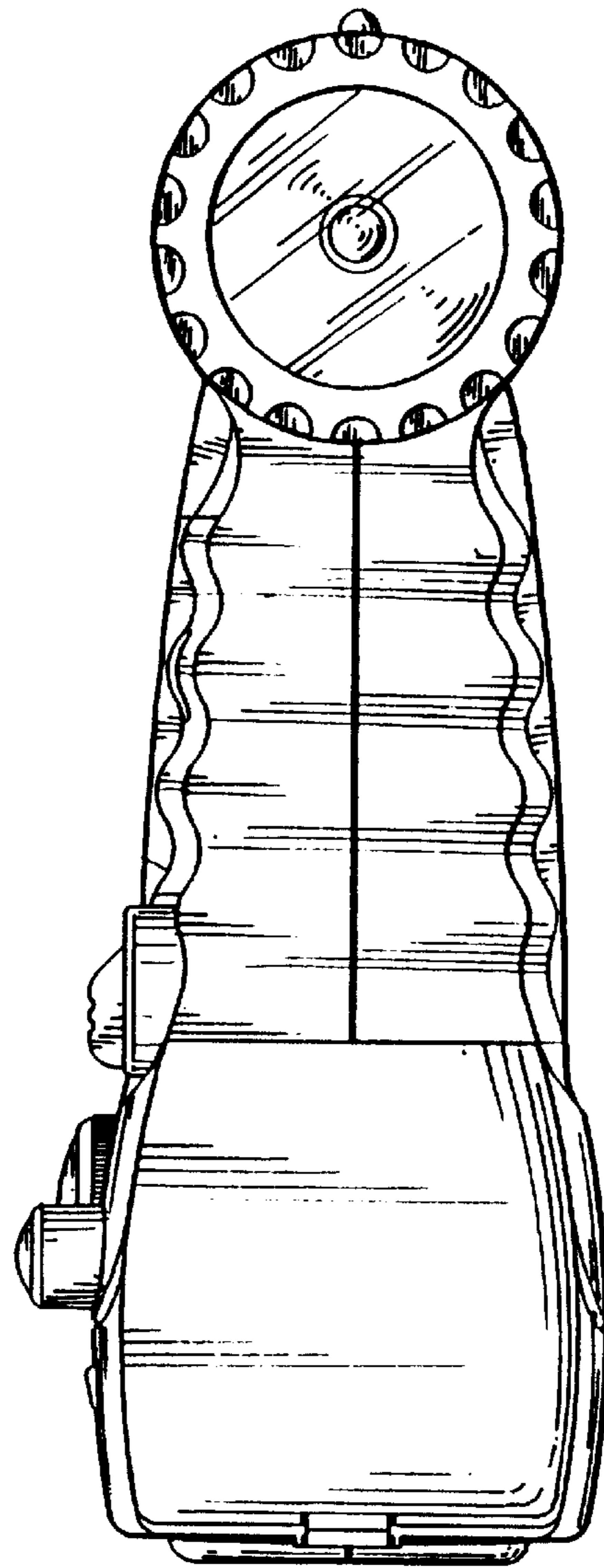


FIG. 5

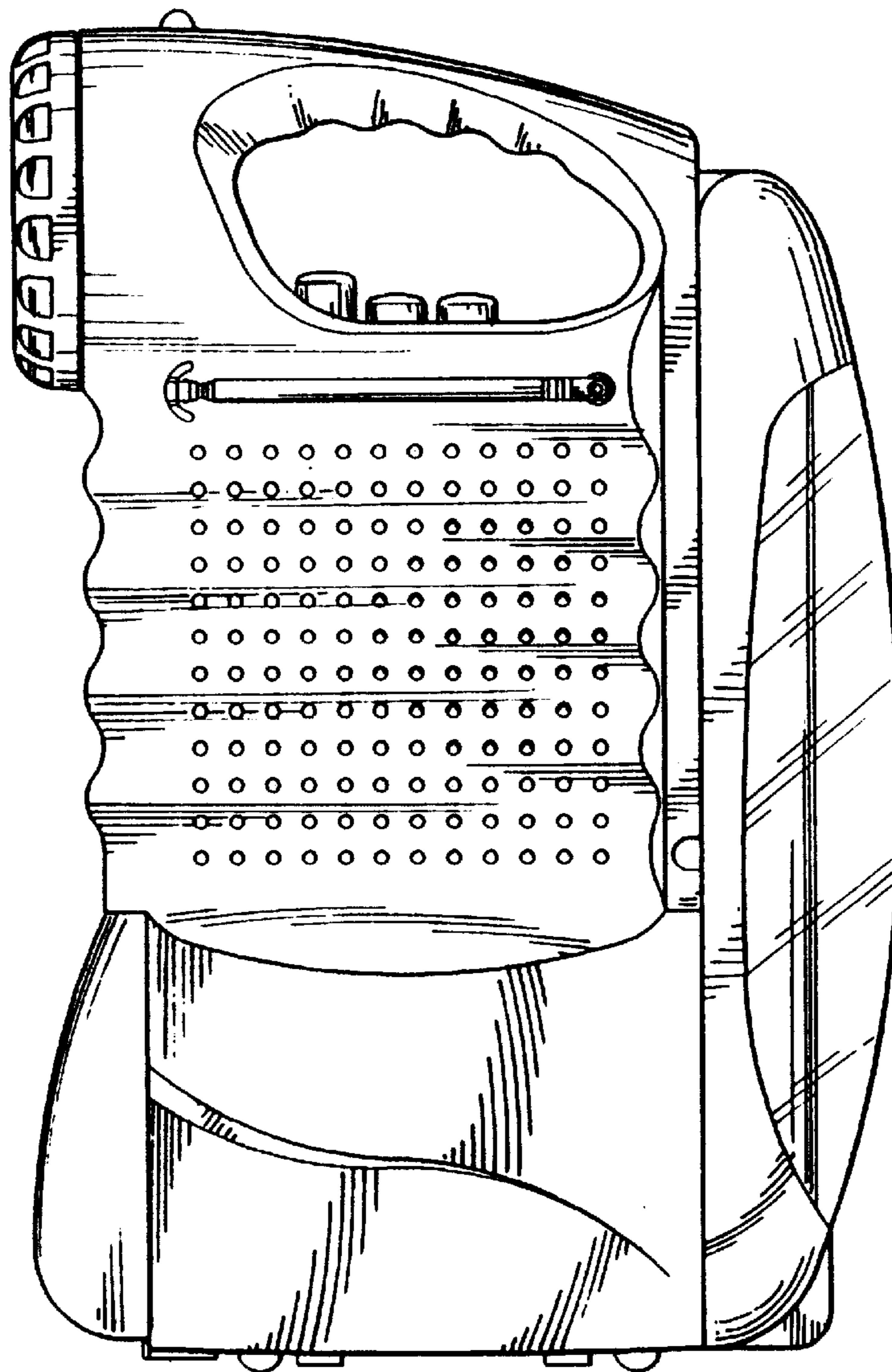


FIG. 6

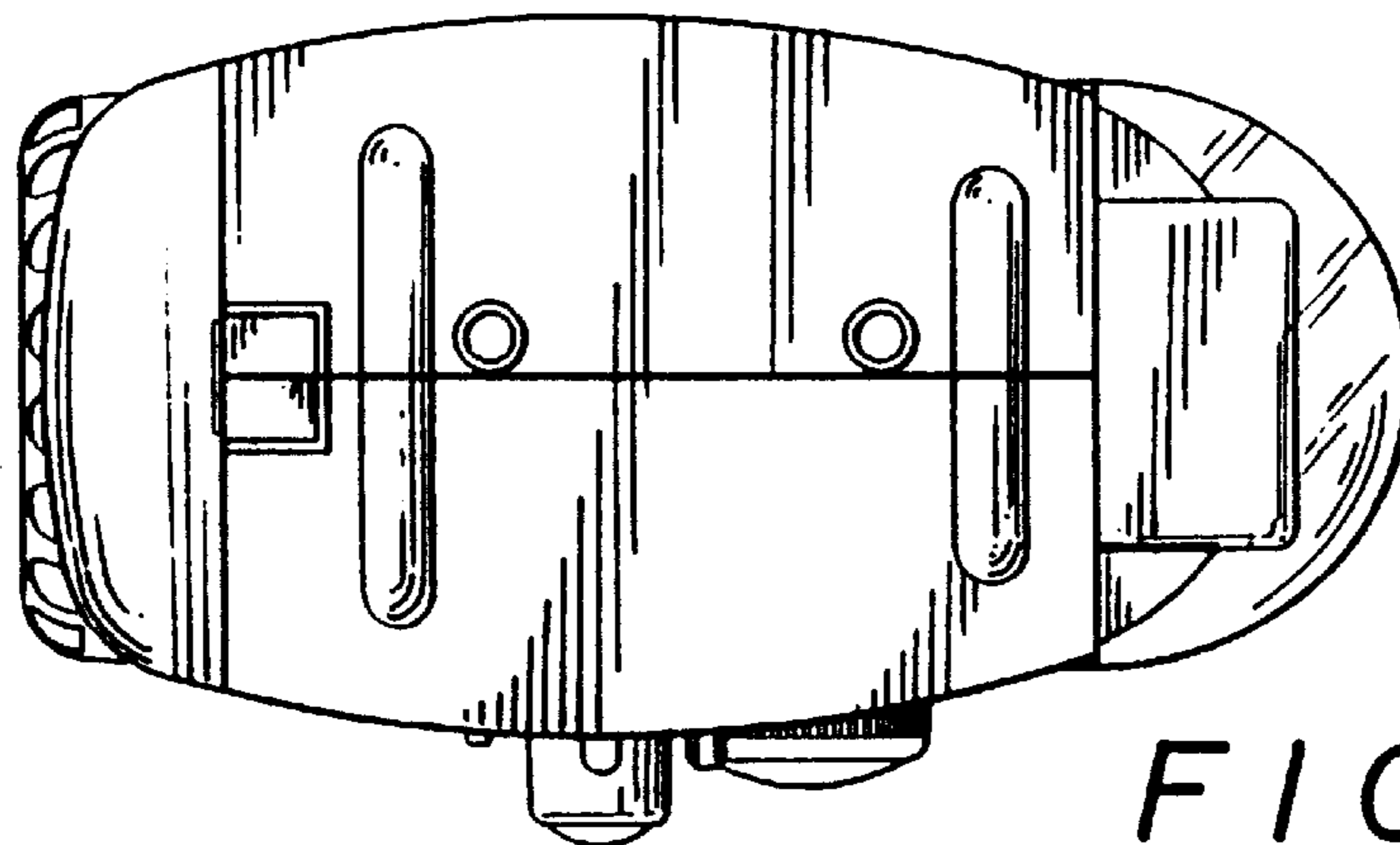


FIG. 7

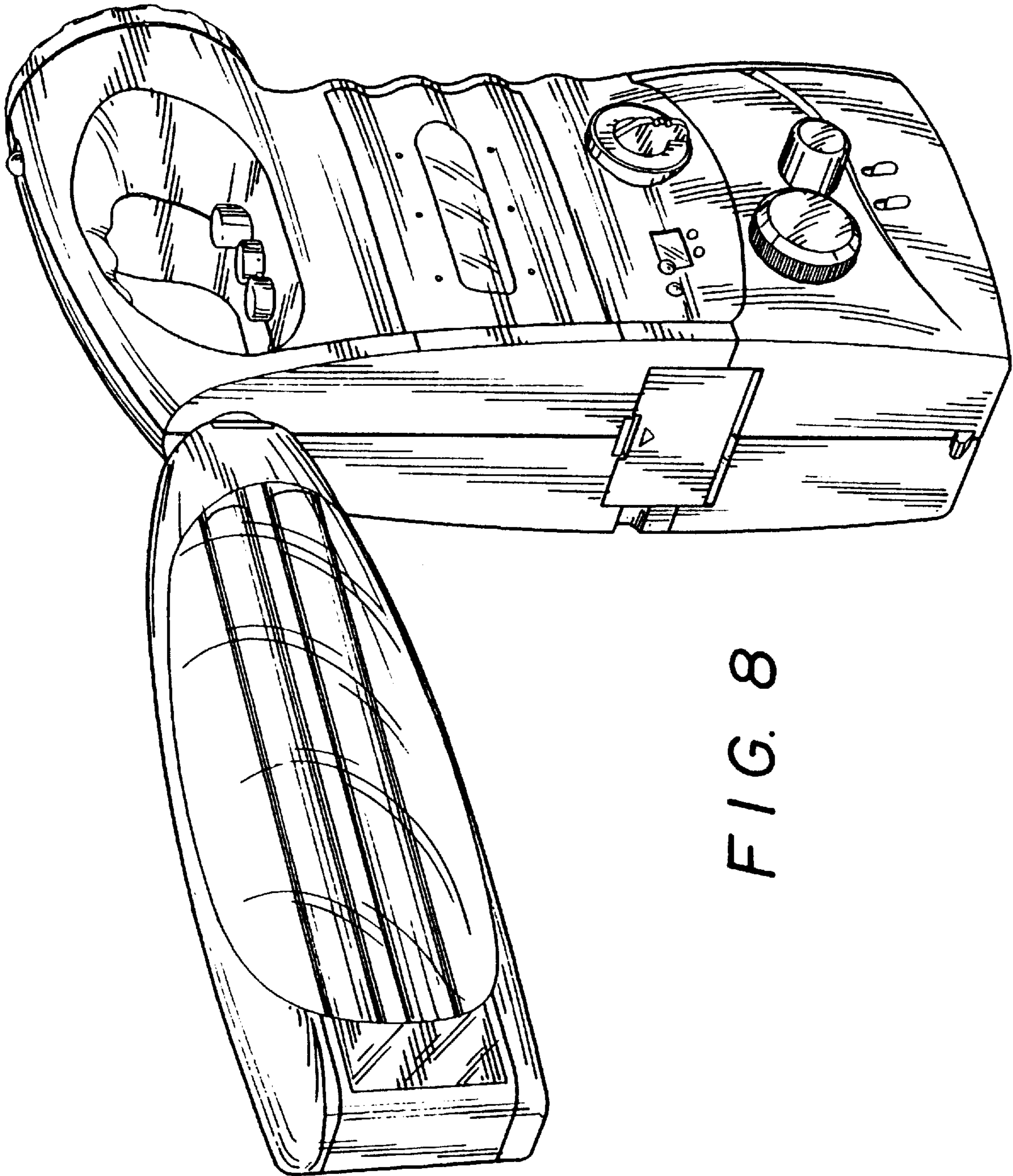


FIG. 8

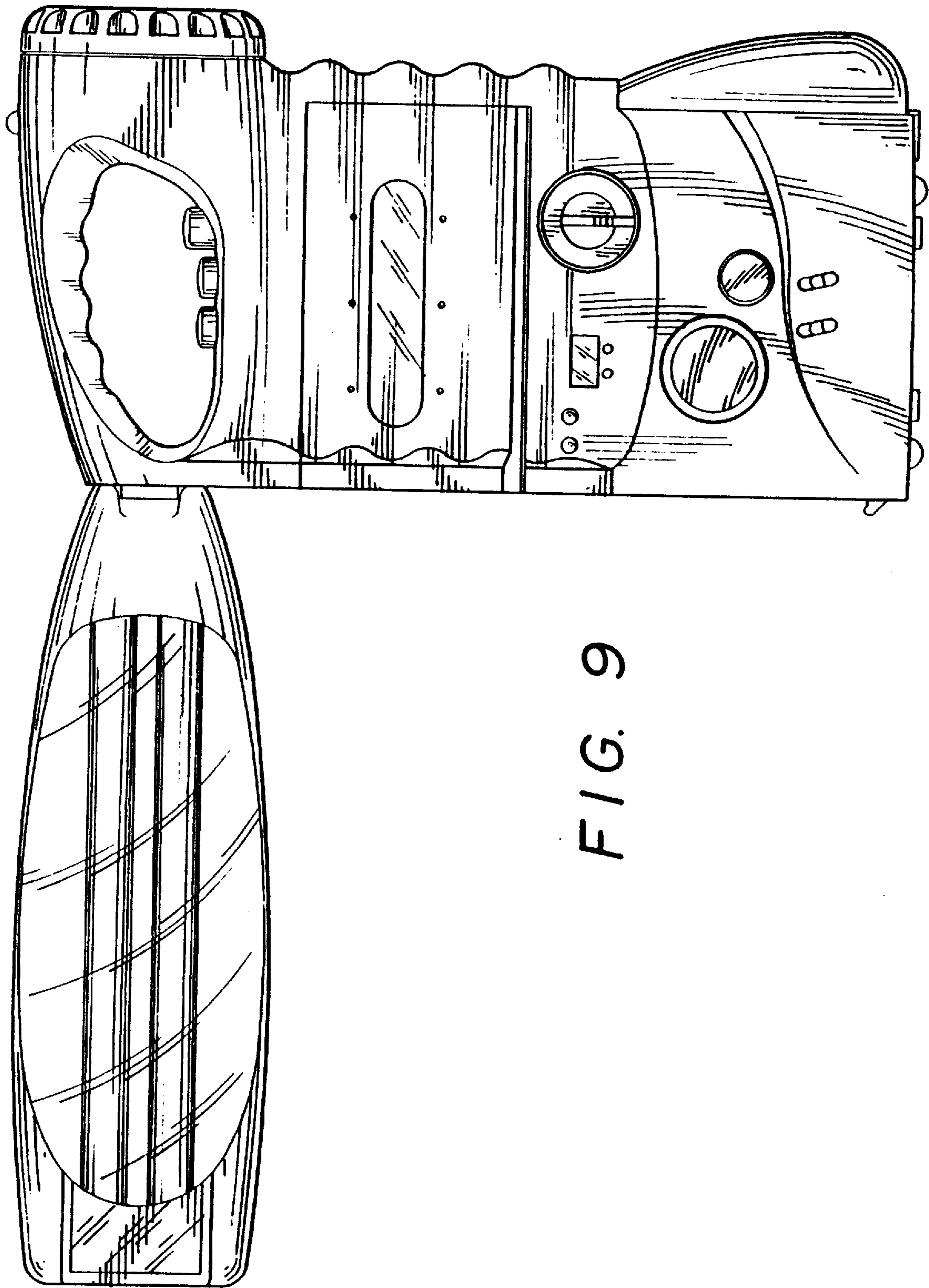


FIG. 9



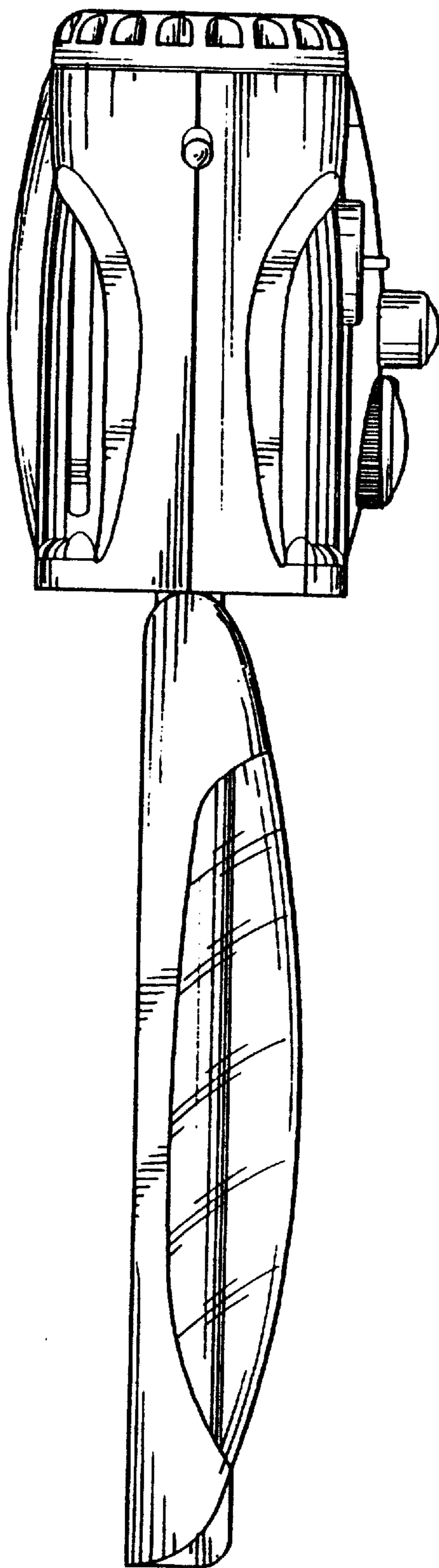


FIG. 10