

US00D395720S

United States Patent [19]

Galli

[11] **Patent Number: Des. 395,720**

[45] **Date of Patent: **Jun. 30, 1998**

[54] **LASER POINTER**

[76] Inventor: **Robert Galli**, 8176 Horseshoe Bend
La., Las Vegas, Nev. 89113

[**] Term: **14 Years**

[21] Appl. No.: **78,196**

[22] Filed: **Oct. 21, 1997**

[51] **LOC (6) Cl.** **26-02**

[52] **U.S. Cl.** **D26/37**

[58] **Field of Search** D26/37-50; 362/157,
362/158, 183, 184, 189, 190, 191, 196,
197, 198, 199, 200, 201, 202, 203

[56] **References Cited**

U.S. PATENT DOCUMENTS

- D. 261,052 9/1981 Henkels .
- D. 267,980 2/1983 Gibstein et al. .
- D. 311,067 10/1990 Chabria .
- D. 311,963 11/1990 Reback et al. .
- D. 313,662 1/1991 Caires D26/37
- D. 317,941 7/1991 Chao .
- D. 332,965 2/1993 Wu et al. .

- D. 336,531 6/1993 Kwang D26/37
- D. 336,688 6/1993 Osterhout .
- D. 355,272 2/1995 Chabria .
- D. 361,633 8/1995 Chabria .
- D. 367,720 3/1996 Sinclair .
- D. 383,228 9/1997 Petruzzi .
- 5,268,829 12/1993 Lo .
- 5,446,635 8/1995 Jehn .

Primary Examiner—Marcus A. Jackson
Attorney, Agent, or Firm—Salter & Michaelson

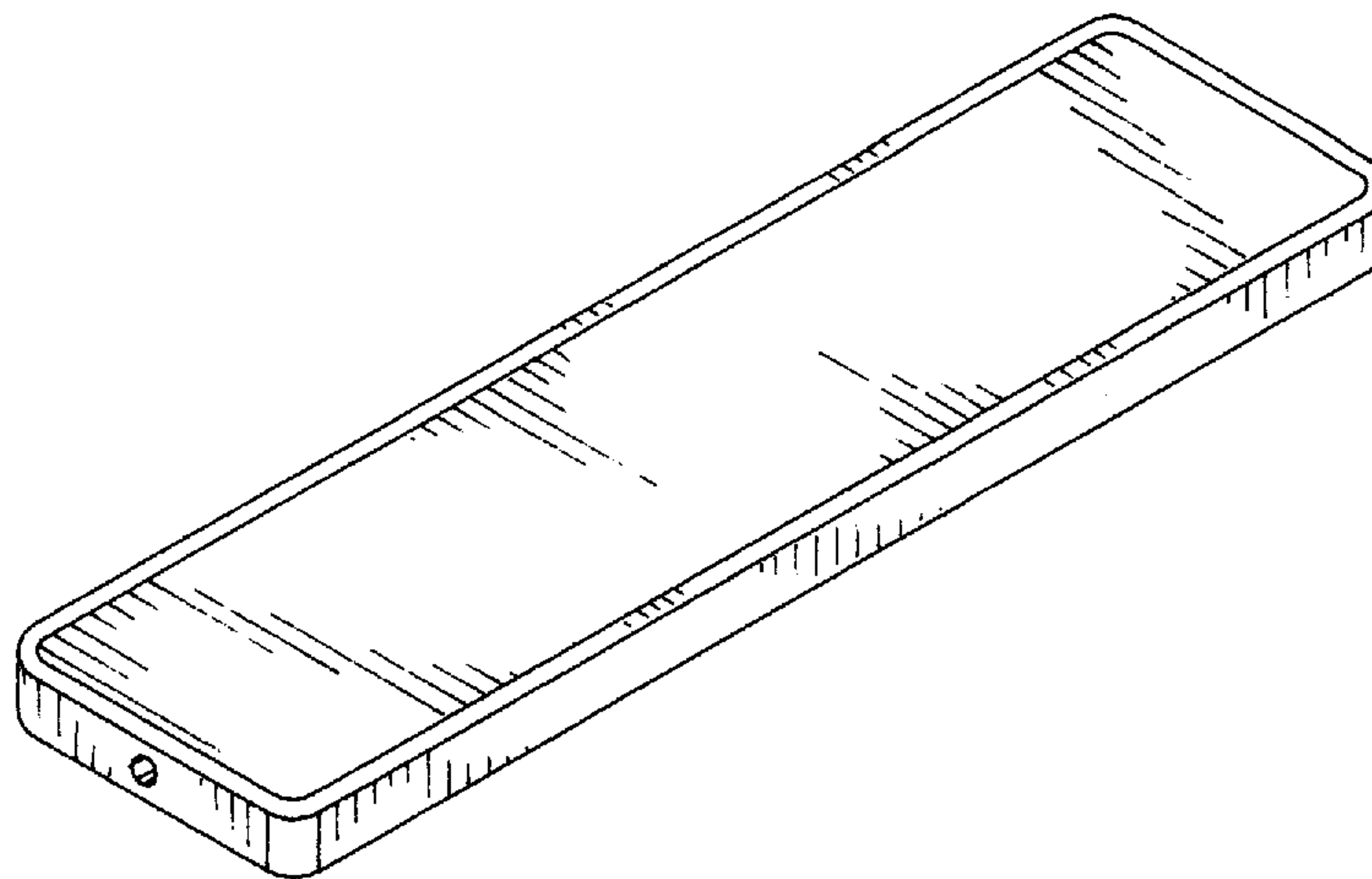
[57] **CLAIM**

The ornamental design for a laser pointer, as shown.

DESCRIPTION

FIG. 1 is a perspective view showing my new design for a laser pointer;
 FIG. 2 is a top view thereof;
 FIG. 3 is a bottom view thereof;
 FIG. 4 is a front view thereof;
 FIG. 5 is a rear view thereof;
 FIG. 6 is a left side view thereof; and,
 FIG. 7 is a right side view thereof.

1 Claim, 2 Drawing Sheets



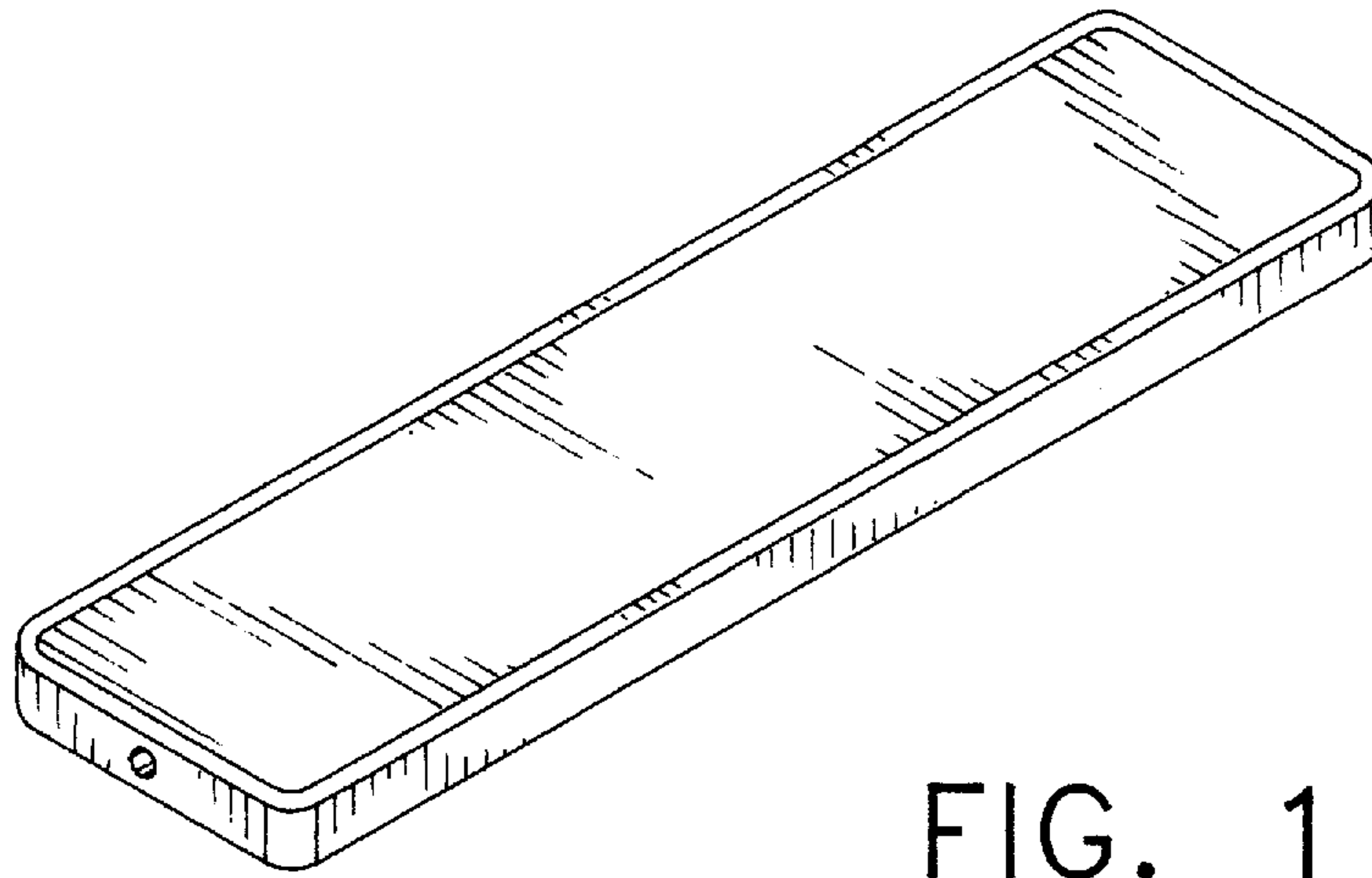


FIG. 1

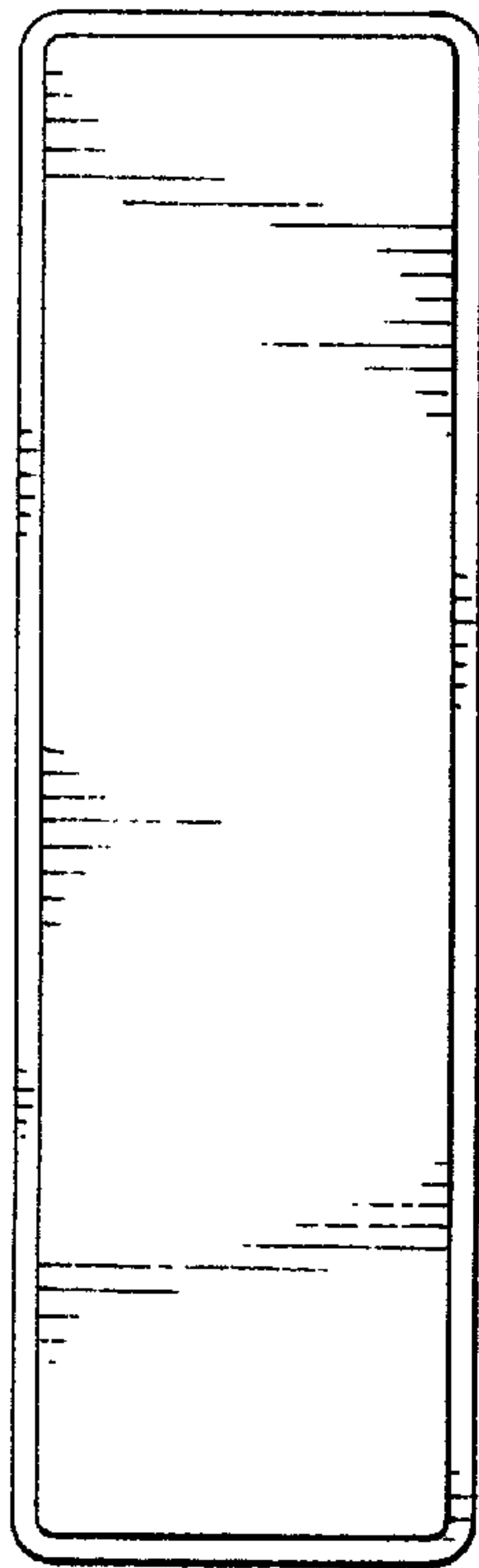


FIG. 2

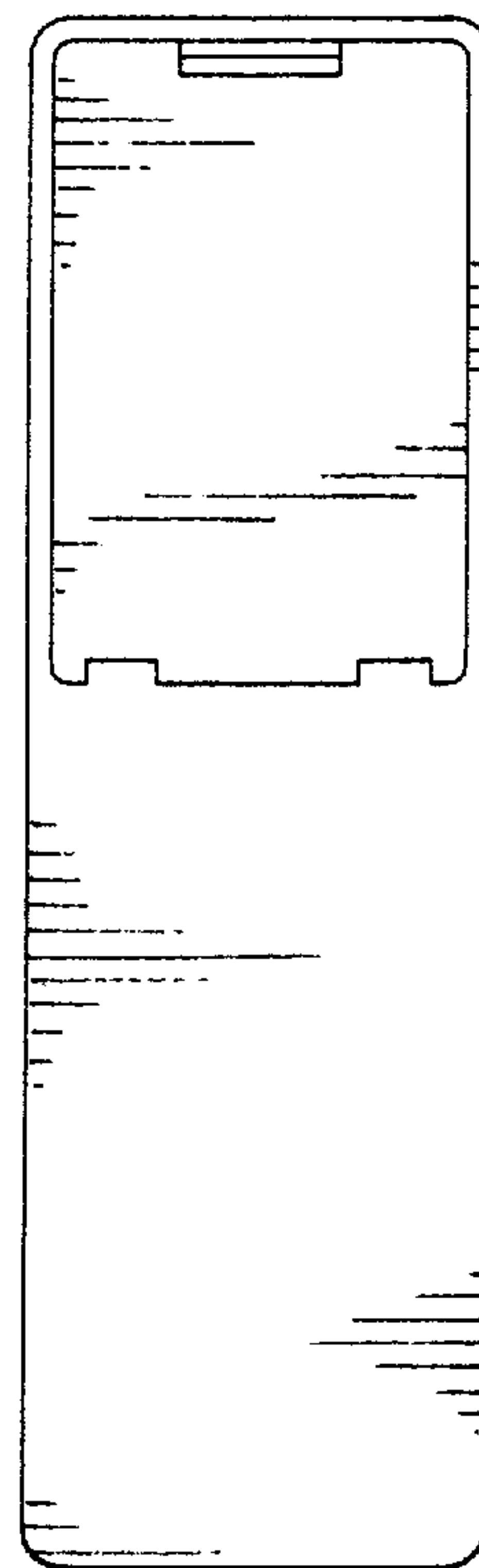


FIG. 3



FIG. 4

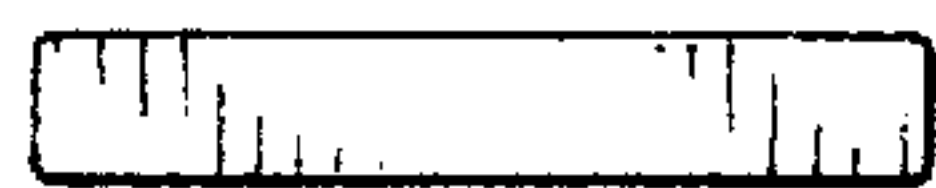


FIG. 5

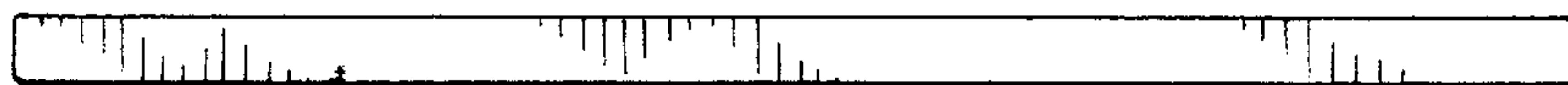


FIG. 6

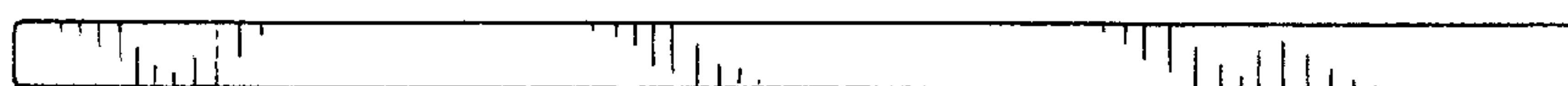


FIG. 7