



US00D395718S

United States Patent [19]

Ponton et al.

[11] **Patent Number: Des. 395,718**

[45] **Date of Patent: **Jun. 30, 1998**

[54] **VEHICLE LAMP**

D. 323,899 2/1992 Za Pointe D26/28

[75] Inventors: **Andrew J. Ponton; Mark A. Singleton**, both of Seymour, Ind.

Primary Examiner—Marcus A. Jackson
Attorney, Agent, or Firm—William E. Meyer

[73] Assignee: **Osram Sylvania Inc.**, Danvers, Mass.

[57] **CLAIM**

[**] Term: **14 Years**

The ornamental design for a vehicle lamp, as shown and described.

[21] Appl. No.: **75,453**

DESCRIPTION

[22] Filed: **Aug. 21, 1997**

FIG. 1 is a perspective view of an vehicle lamp illustrating our new design;

[51] **LOC (6) Cl.** **29-06**

FIG. 2 is a front view thereof;

[52] **U.S. Cl.** **D26/28**

FIG. 3 is a right side view thereof;

[58] **Field of Search** D26/28-36; 362/61,

FIG. 4 is a rear view thereof;

362/80, 81, 82, 83

FIG. 5 is a left side view thereof;

FIG. 6 is a top view thereof; and,

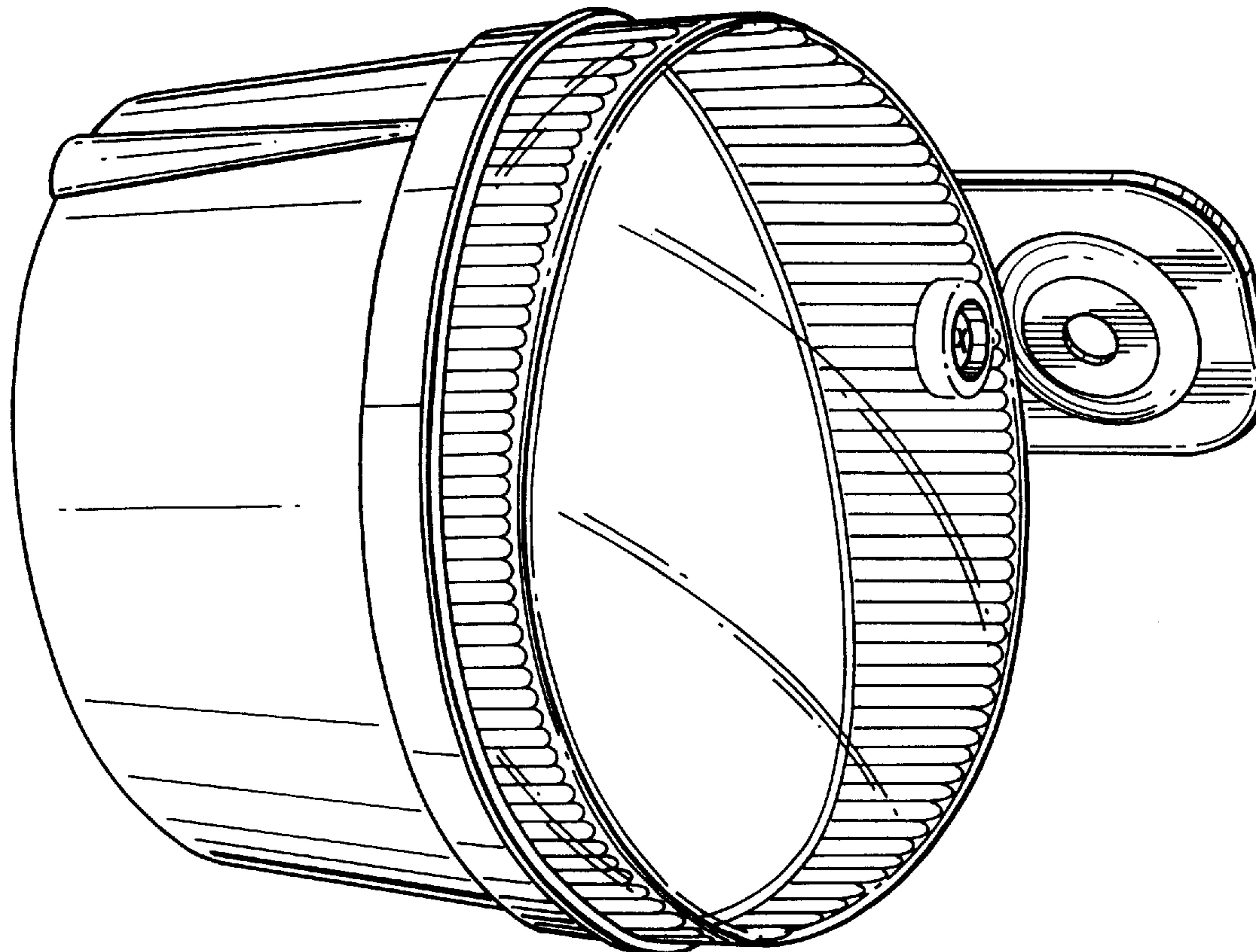
FIG. 7 is a bottom top view thereof.

[56] **References Cited**

U.S. PATENT DOCUMENTS

D. 285,351 8/1986 English et al. D26/28

1 Claim, 7 Drawing Sheets



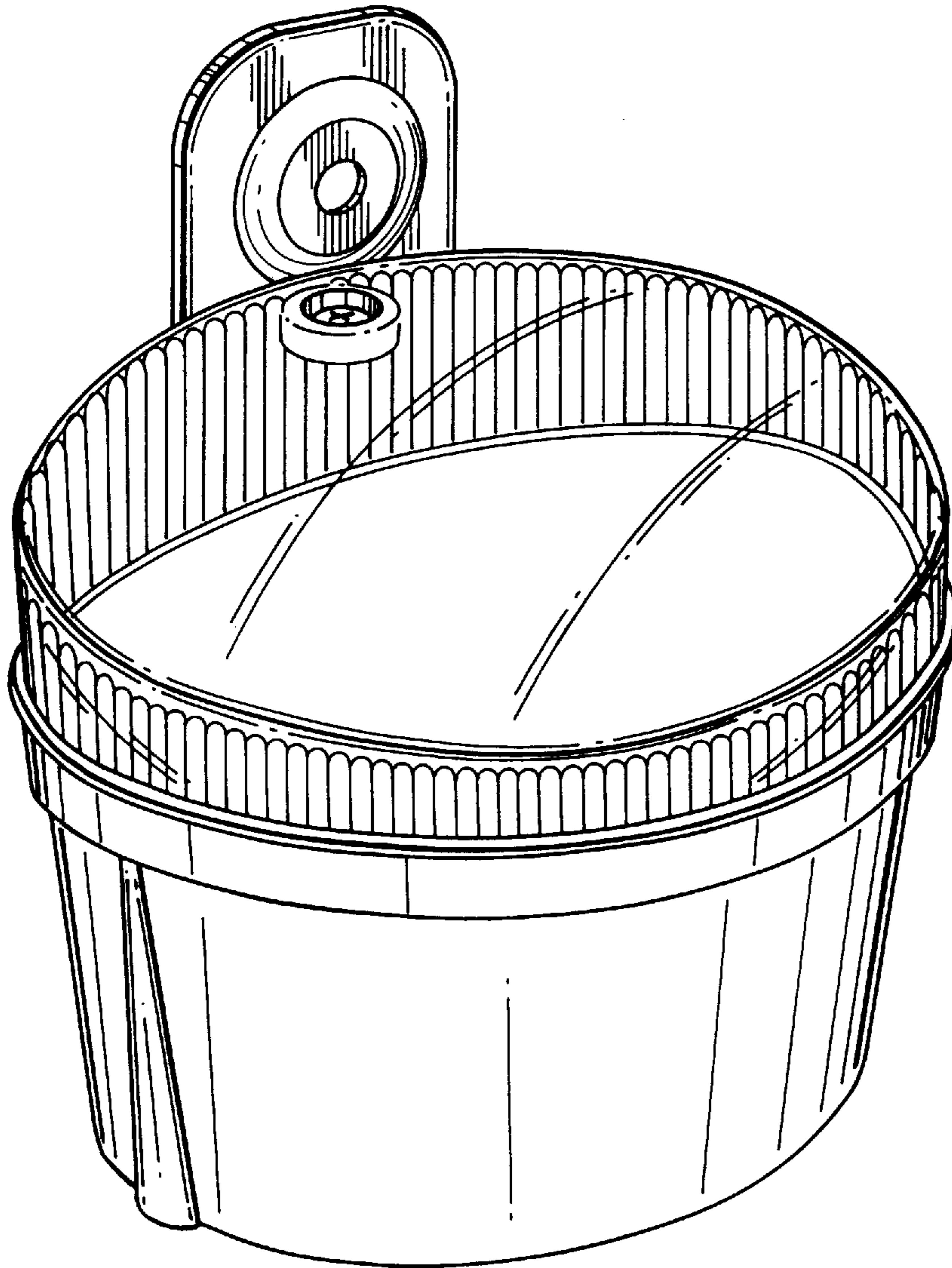


FIG. 1

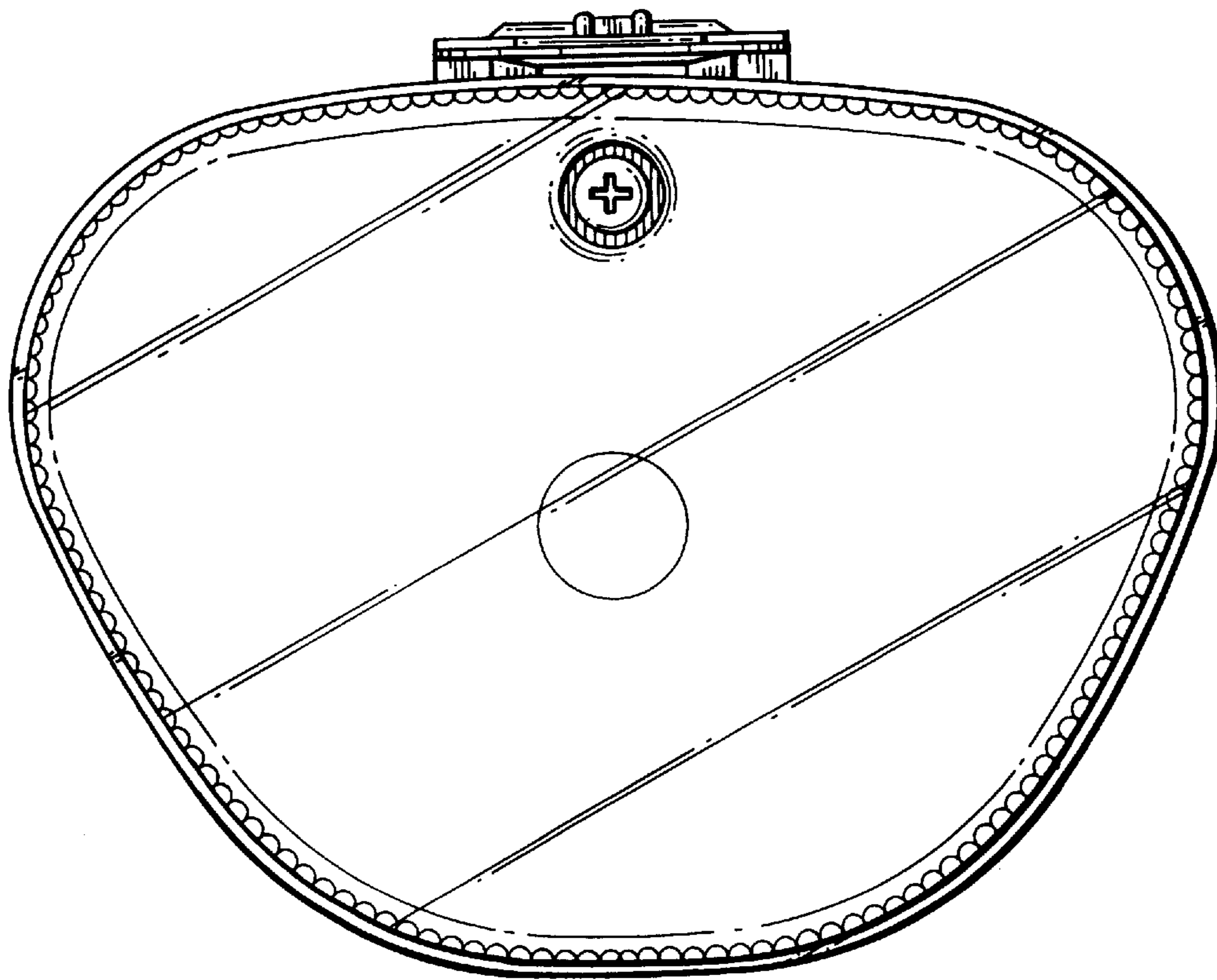


FIG. 2

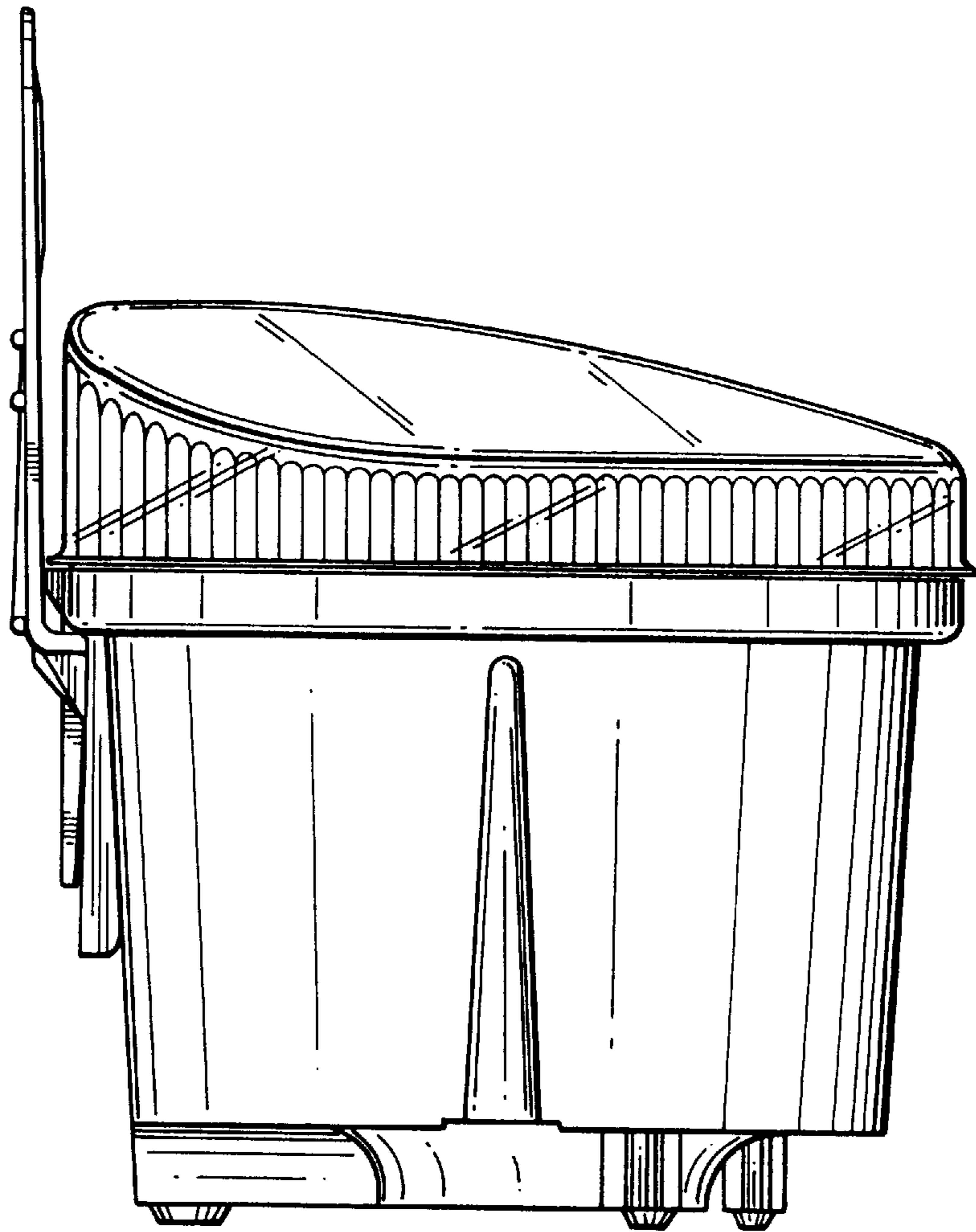


FIG. 3

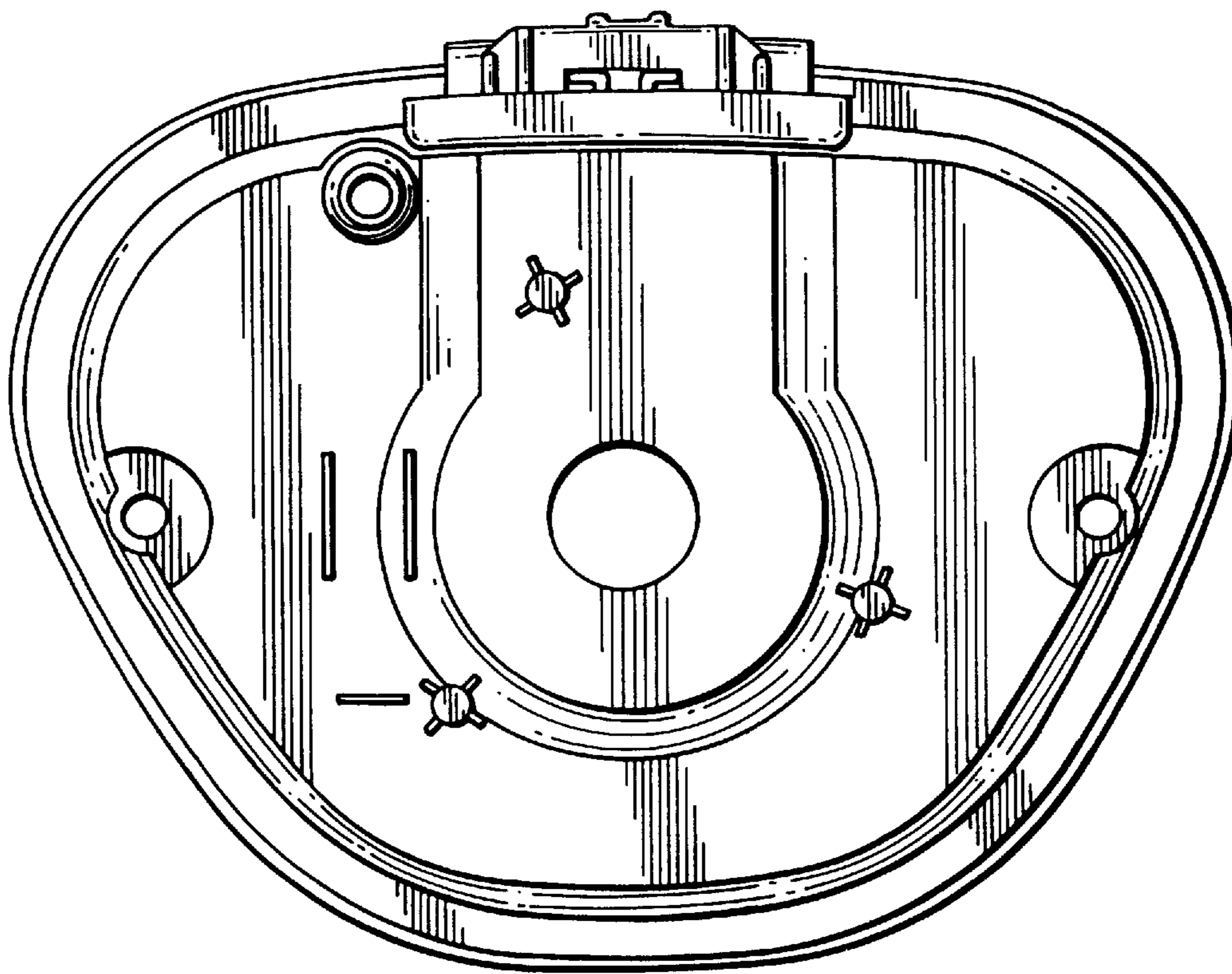


FIG. 4

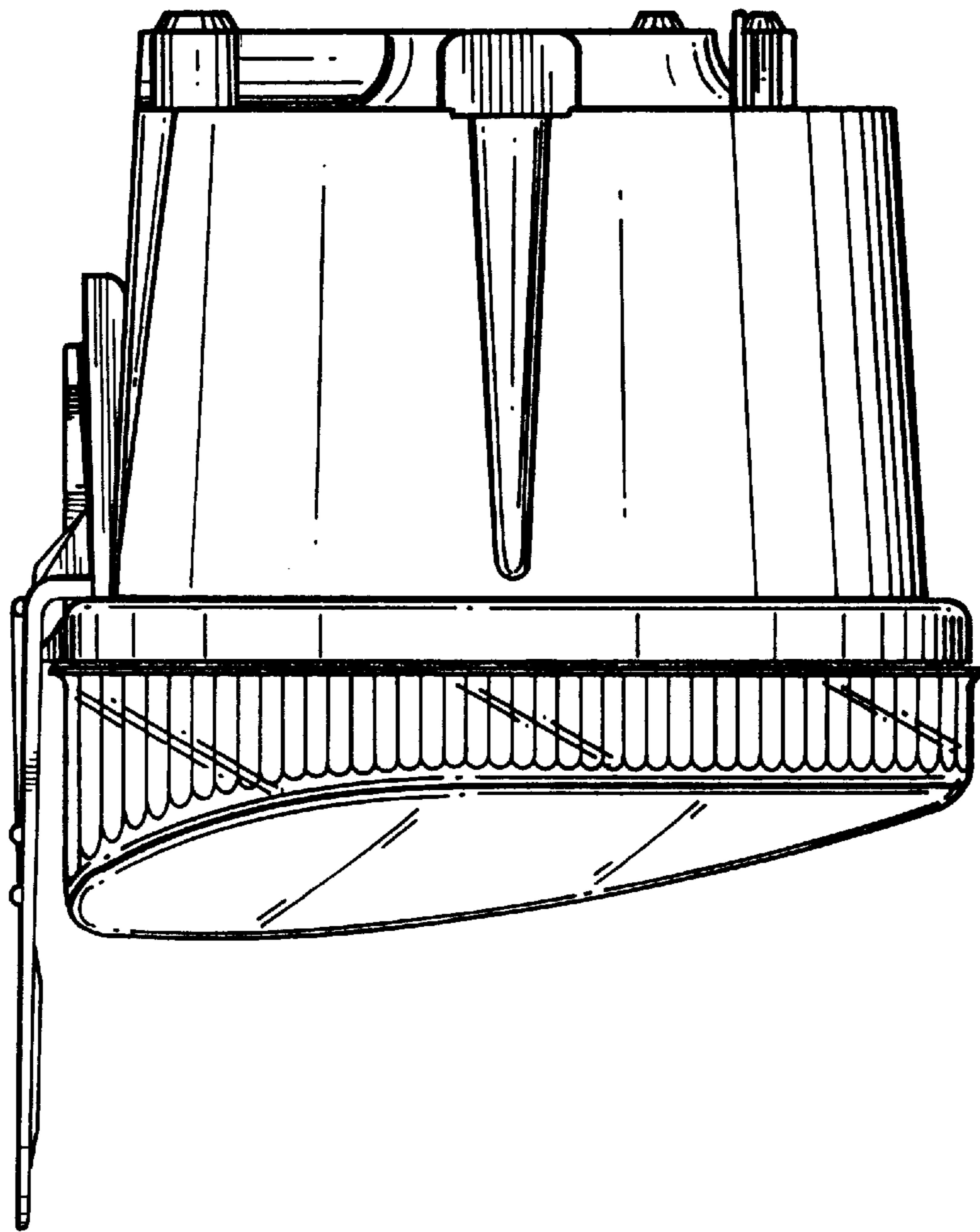


FIG. 5

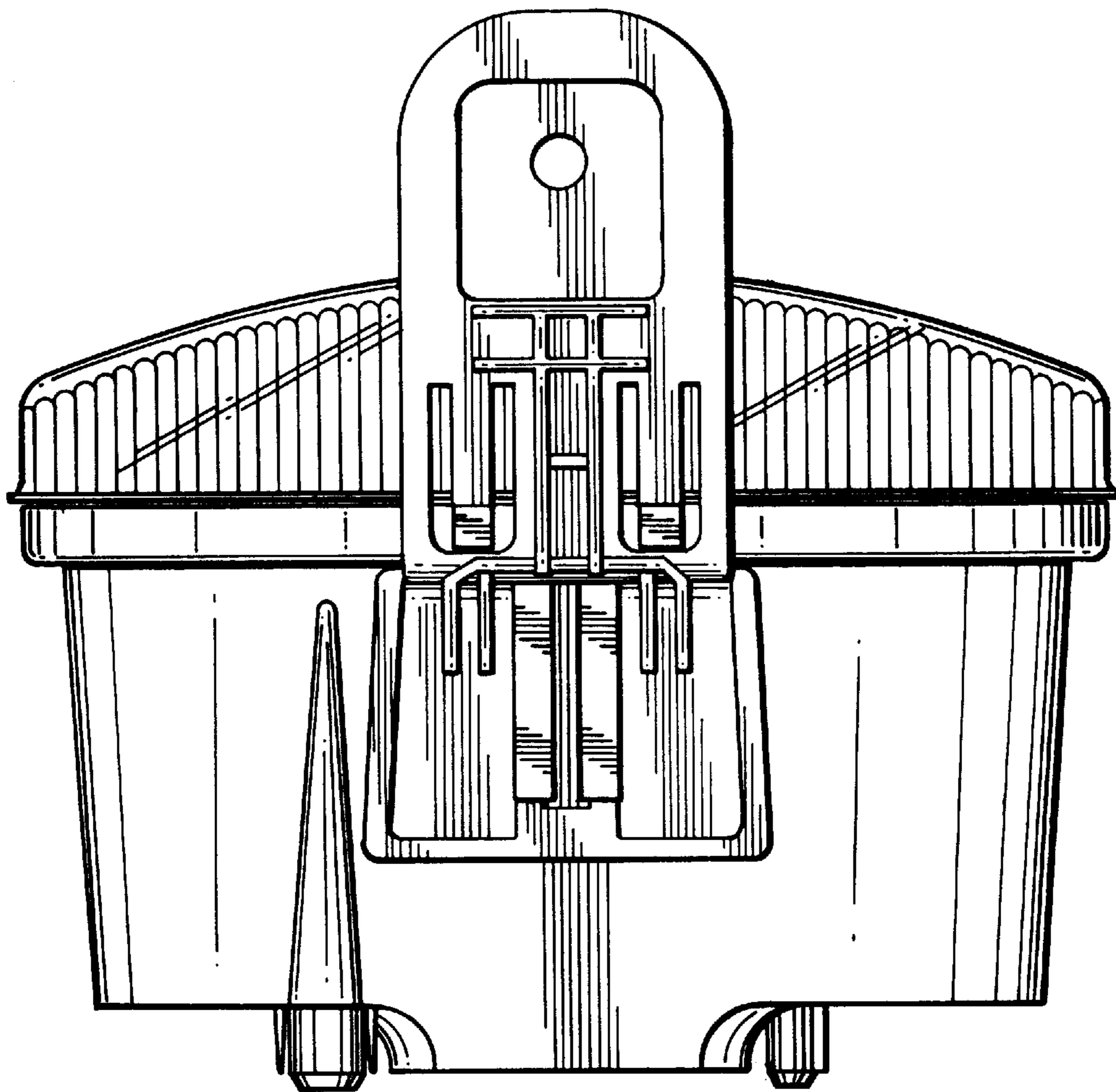


FIG. 6

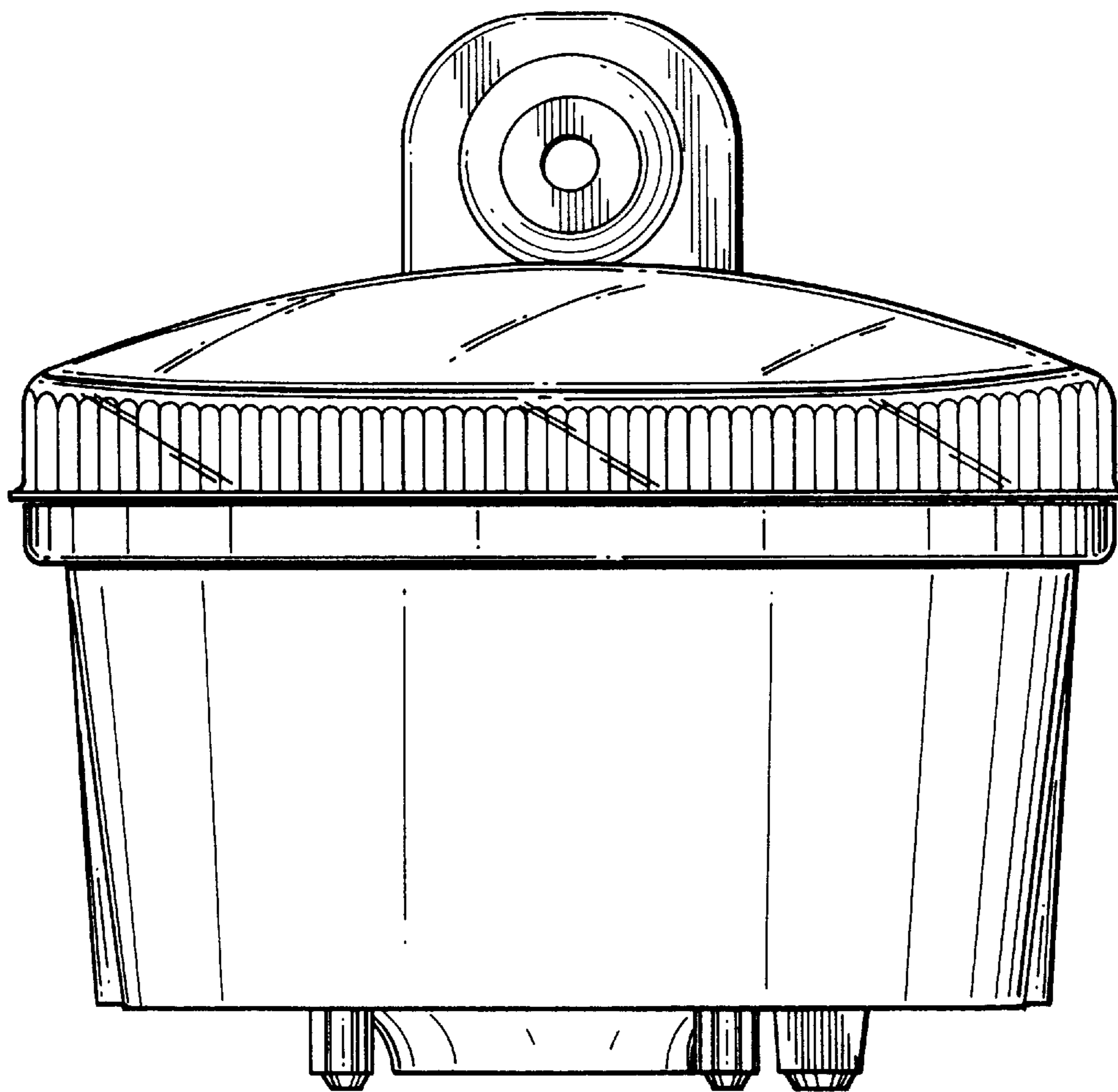


FIG. 7