



US00D395717S

United States Patent [19]

Dalton et al.

[11] Patent Number: **Des. 395,717**

[45] Date of Patent: ****Jun. 30, 1998**

[54] **BICYCLE LIGHT**

[75] Inventors: **David R. Dalton**, Westlake, Ohio;
Gregory M. Martens, Marsfield,
Australia

[73] Assignee: **Eveready Battery Company, Inc.**, St.
Louis, Mo.

[**] Term: **14 Years**

[21] Appl. No.: **66,247**

[22] Filed: **Feb. 4, 1997**

[51] **LOC (6) Cl.** **26-06**

[52] **U.S. Cl.** **D26/28**

[58] **Field of Search** D26/28-36; 362/72,
362/80, 82, 83, 83.3, 157, 158, 183, 189-208

[56] **References Cited**

U.S. PATENT DOCUMENTS

D. 324,577	3/1992	Tsuyama	D26/28
D. 345,615	3/1994	Tsushi	D26/28
D. 346,230	4/1994	Ueda	D26/28
D. 353,682	12/1994	Ueda	D26/28
D. 357,989	5/1995	Nagano	D26/28

Primary Examiner—Marcus A. Jackson
Attorney, Agent, or Firm—Robert W. Welsh; S. Allan Fraser

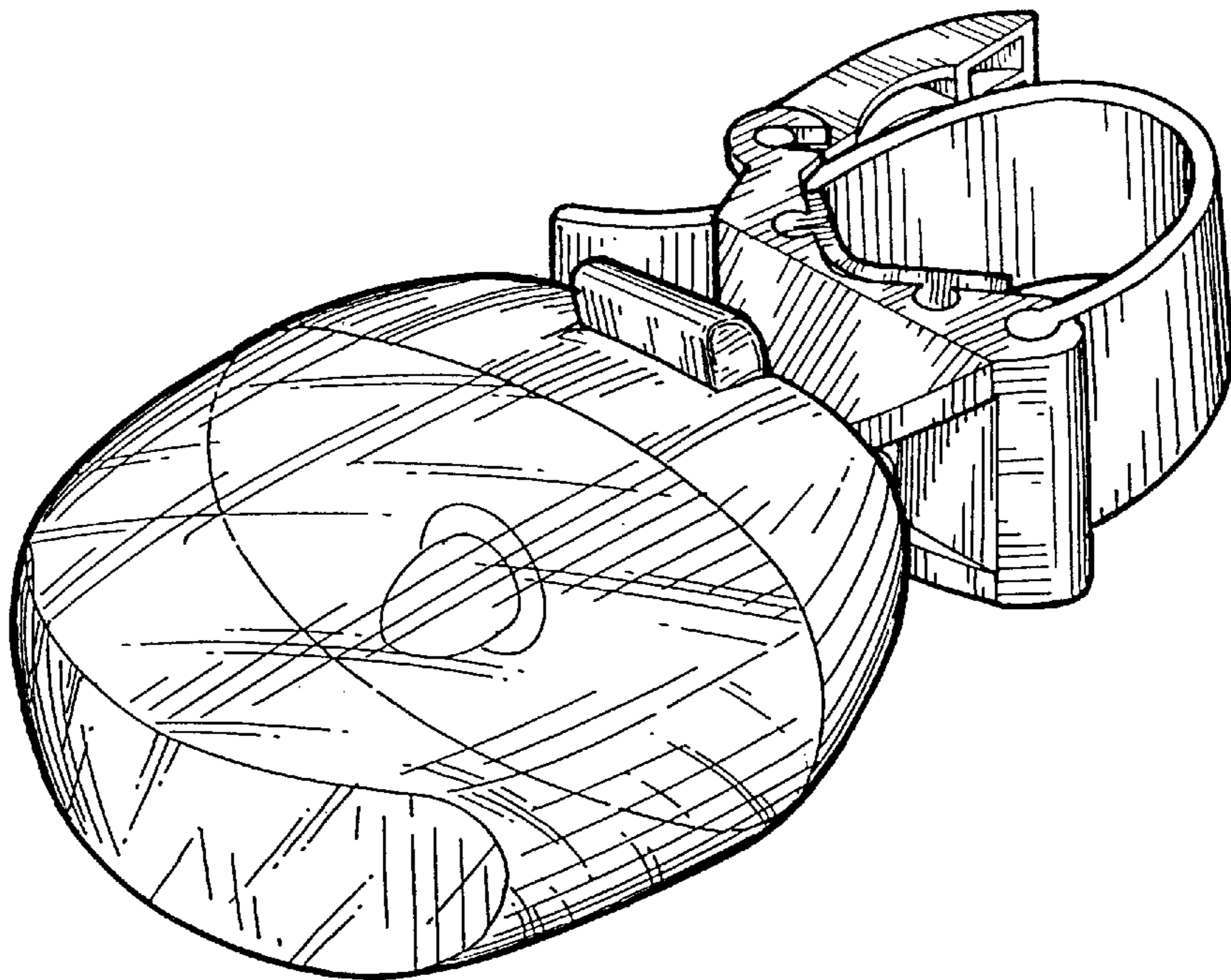
[57] **CLAIM**

The ornamental design for the bicycle light, as shown and described.

DESCRIPTION

FIG. 1 is a front perspective view of a bicycle light showing the new design;
 FIG. 2 is a rear perspective view of the bicycle light showing the new design;
 FIG. 3 is a top view of the bicycle light;
 FIG. 4 is a side view of the bicycle light;
 The other side of the bicycle light is a mirror image of the FIG. 4;
 FIG. 5 is a bottom view of the one side of the bicycle light;
 FIG. 6 is a front view of the bicycle light;
 FIG. 7 is a rear view of the bicycle light;
 FIG. 8 is a front perspective view of a second embodiment thereof;
 FIG. 9 is a rear elevational view of the bicycle light and bracket;
 FIG. 10 is a top view of the bicycle light and bracket;
 FIG. 11 is a side view of the bicycle light and bracket;
 The other side of the bicycle light and bracket is a mirror image of FIG. 4A;
 FIG. 12 is a bottom view of the bicycle light and bracket;
 FIG. 13 is a front view of the bicycle light and bracket; and,
 FIG. 14 is a rear view of the bicycle light and bracket.

1 Claim, 6 Drawing Sheets



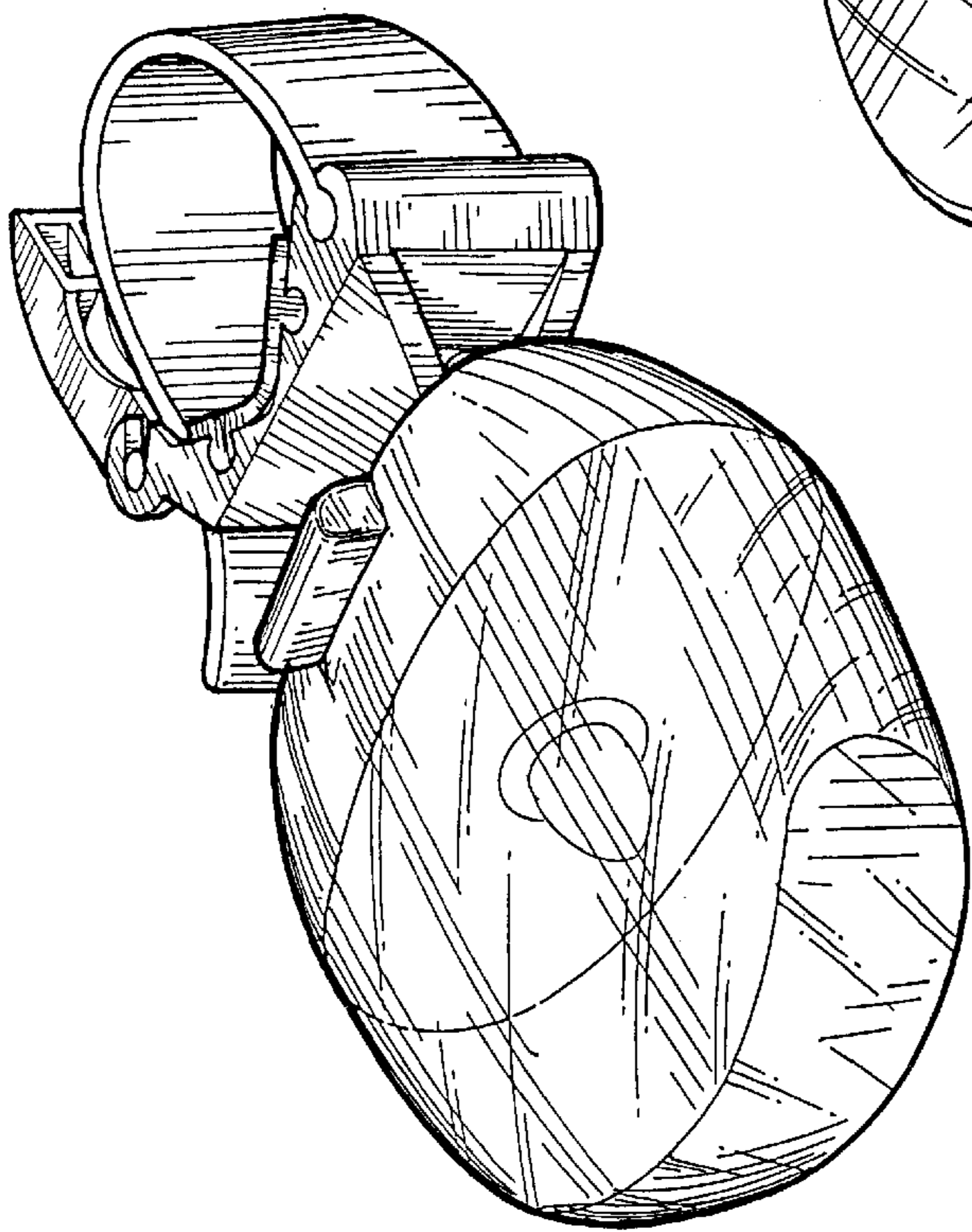


Fig. 1A

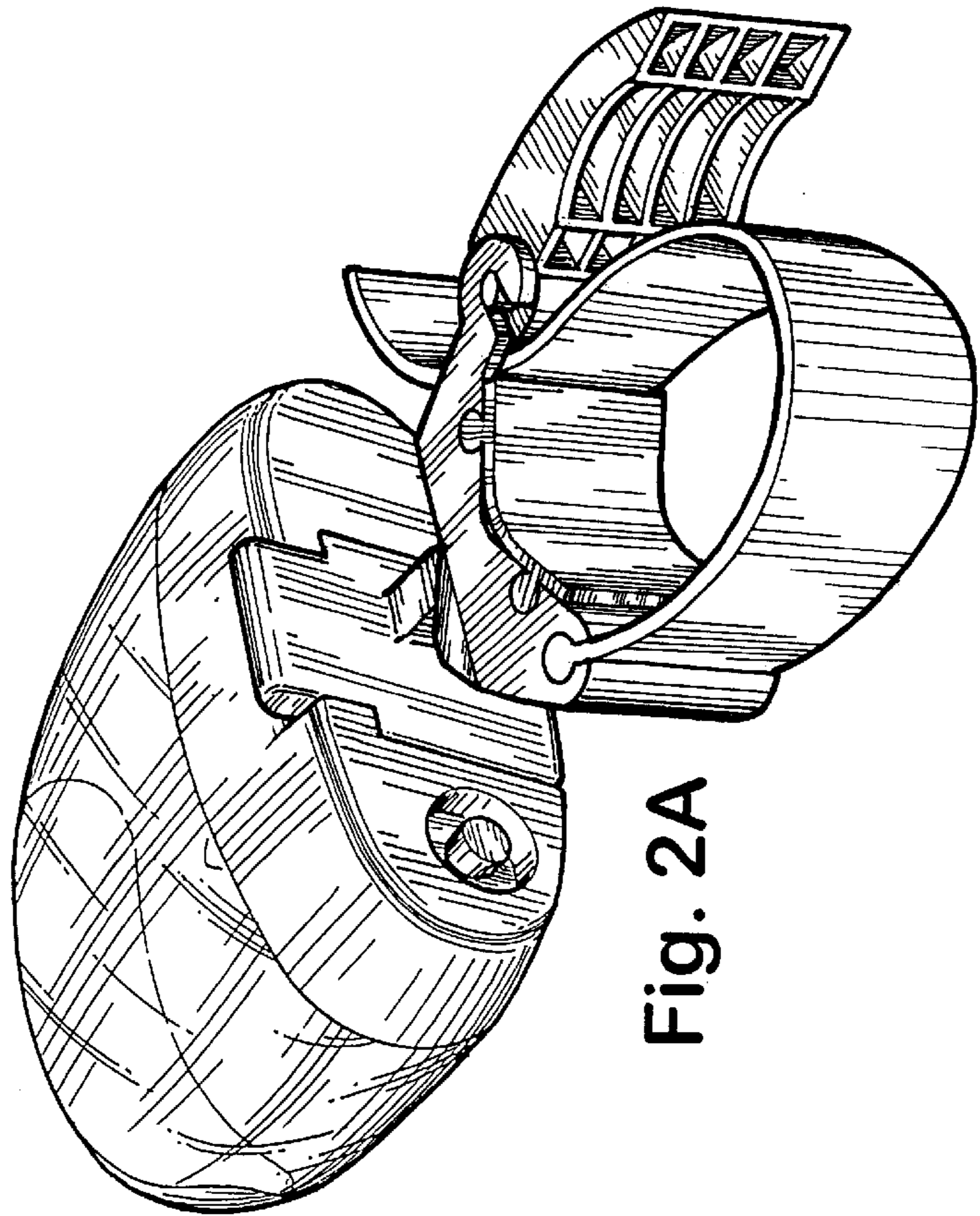


Fig. 2A

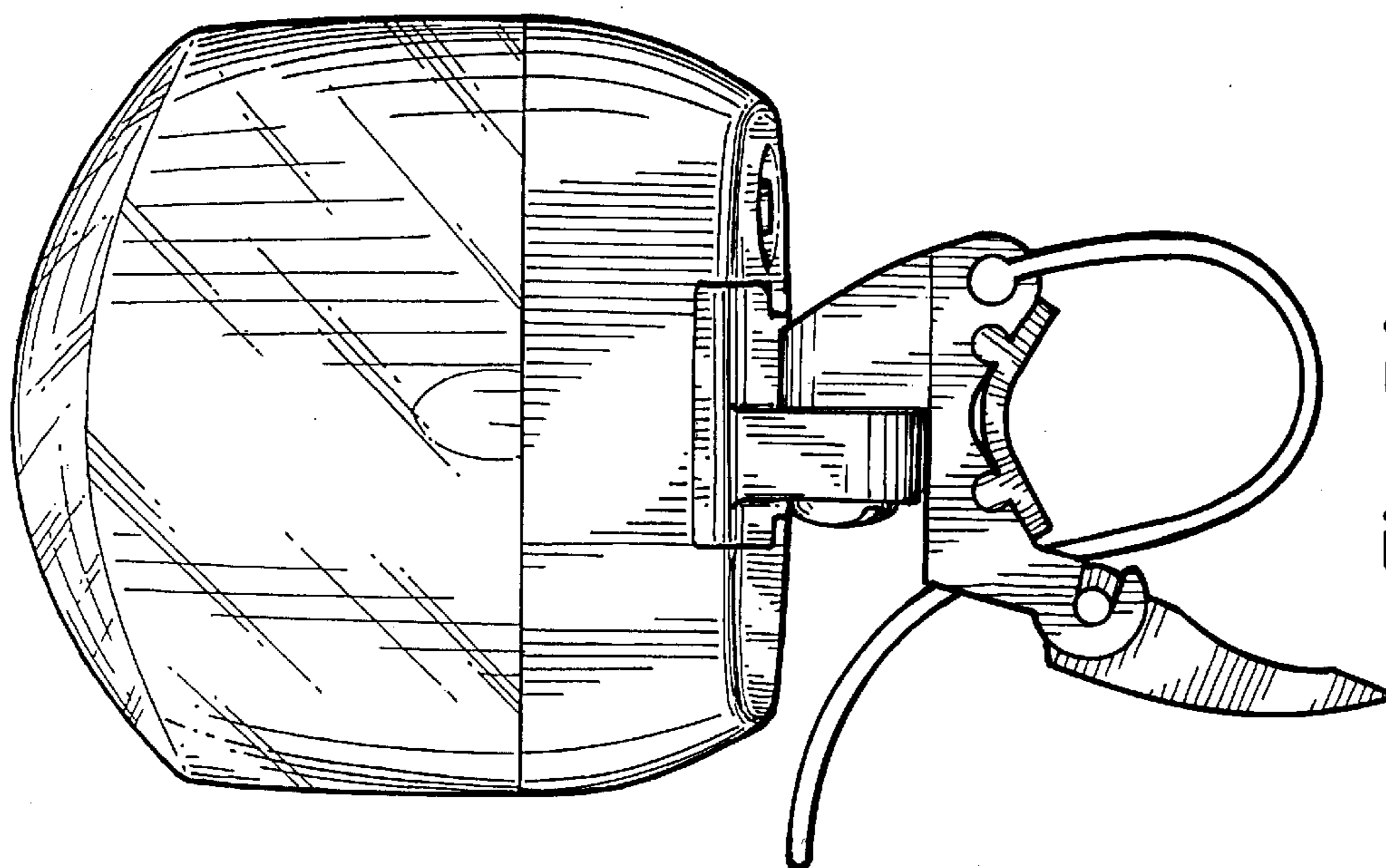


Fig. 5A

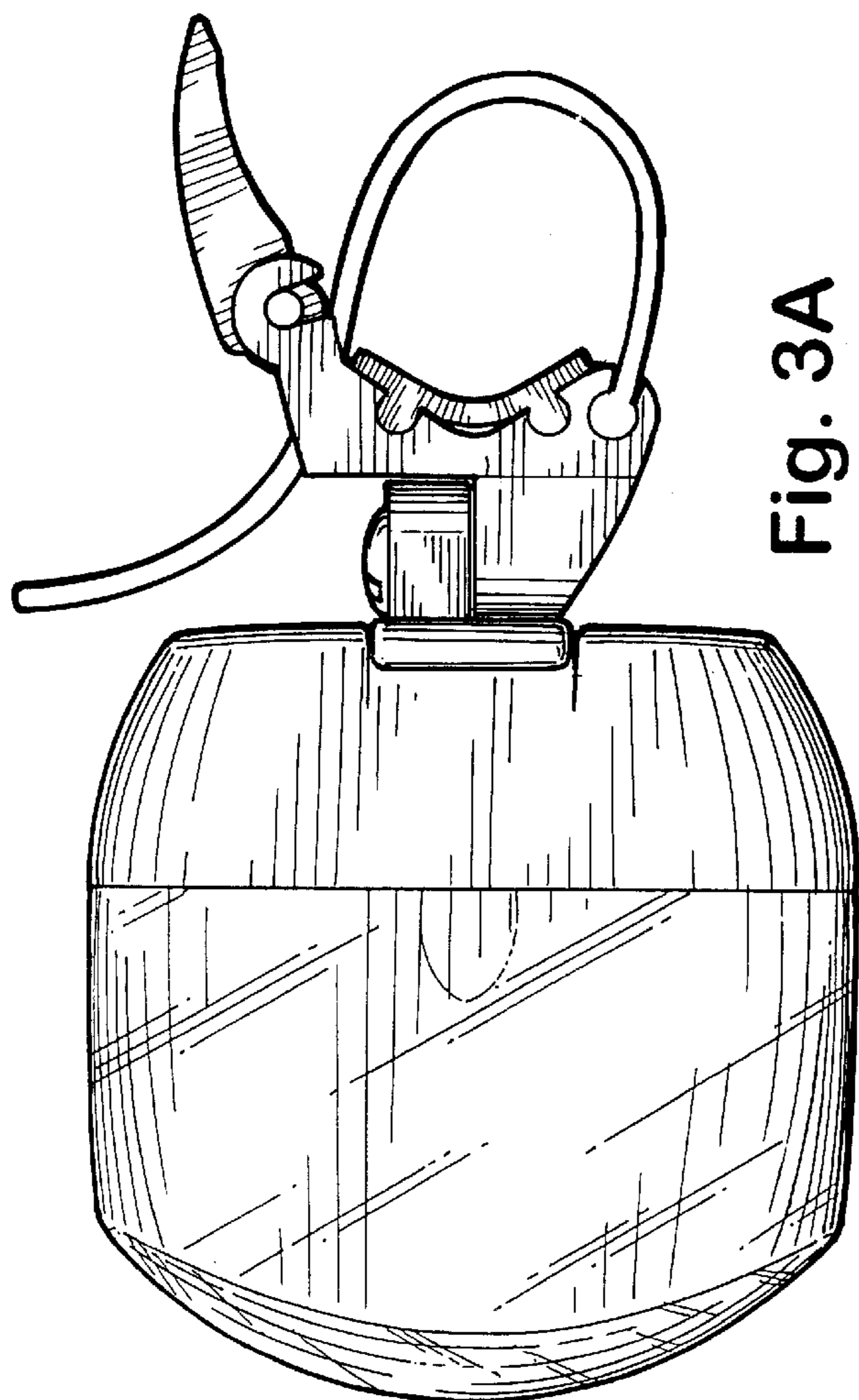


Fig. 3A

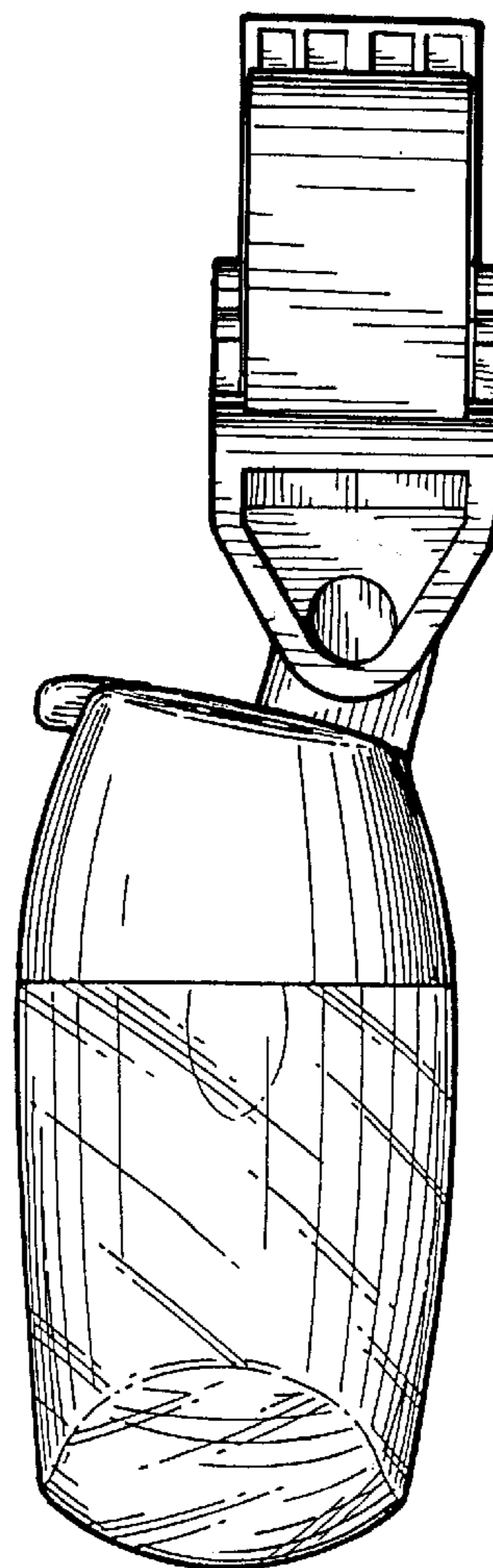


Fig. 4A

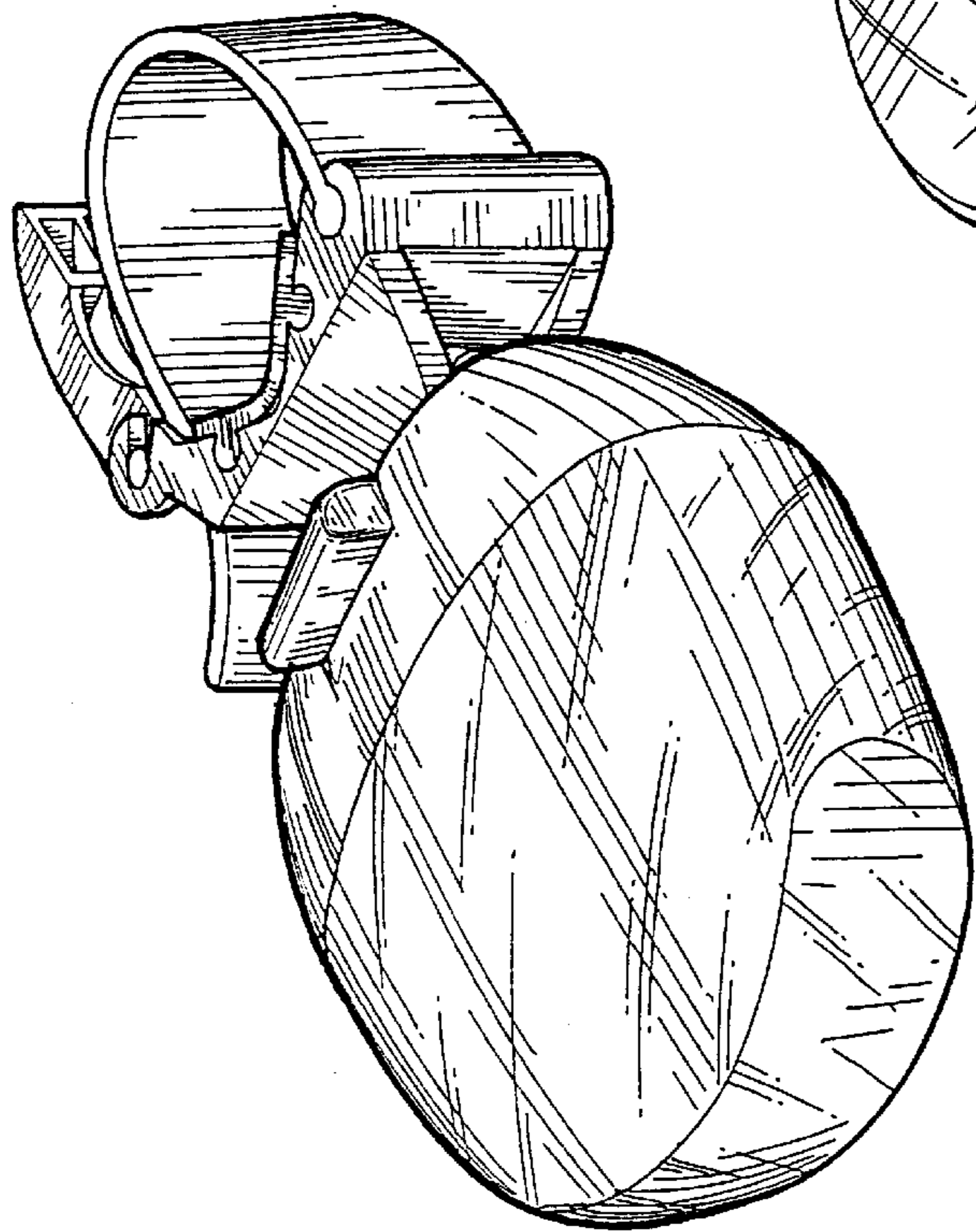


Fig. 8

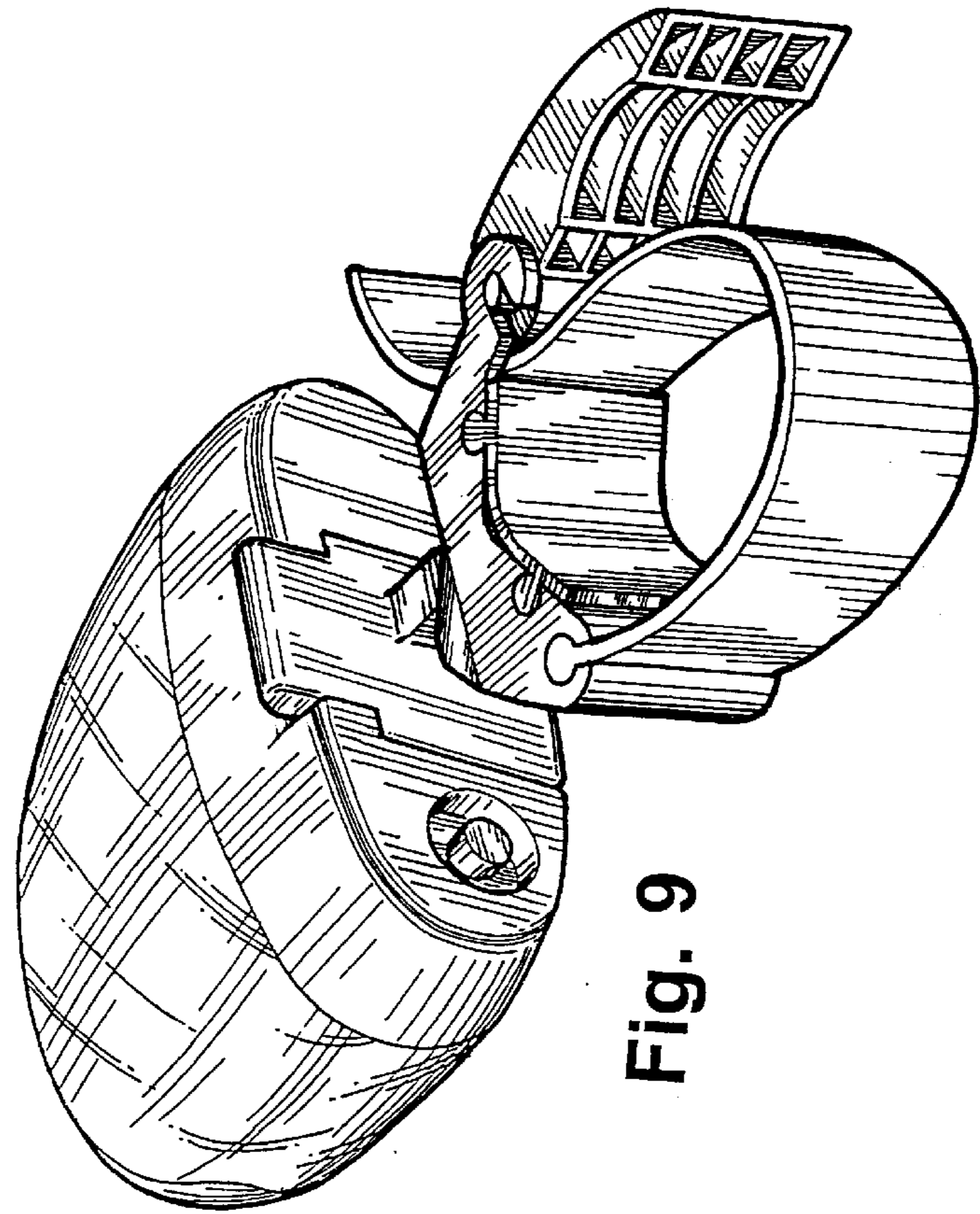


Fig. 9

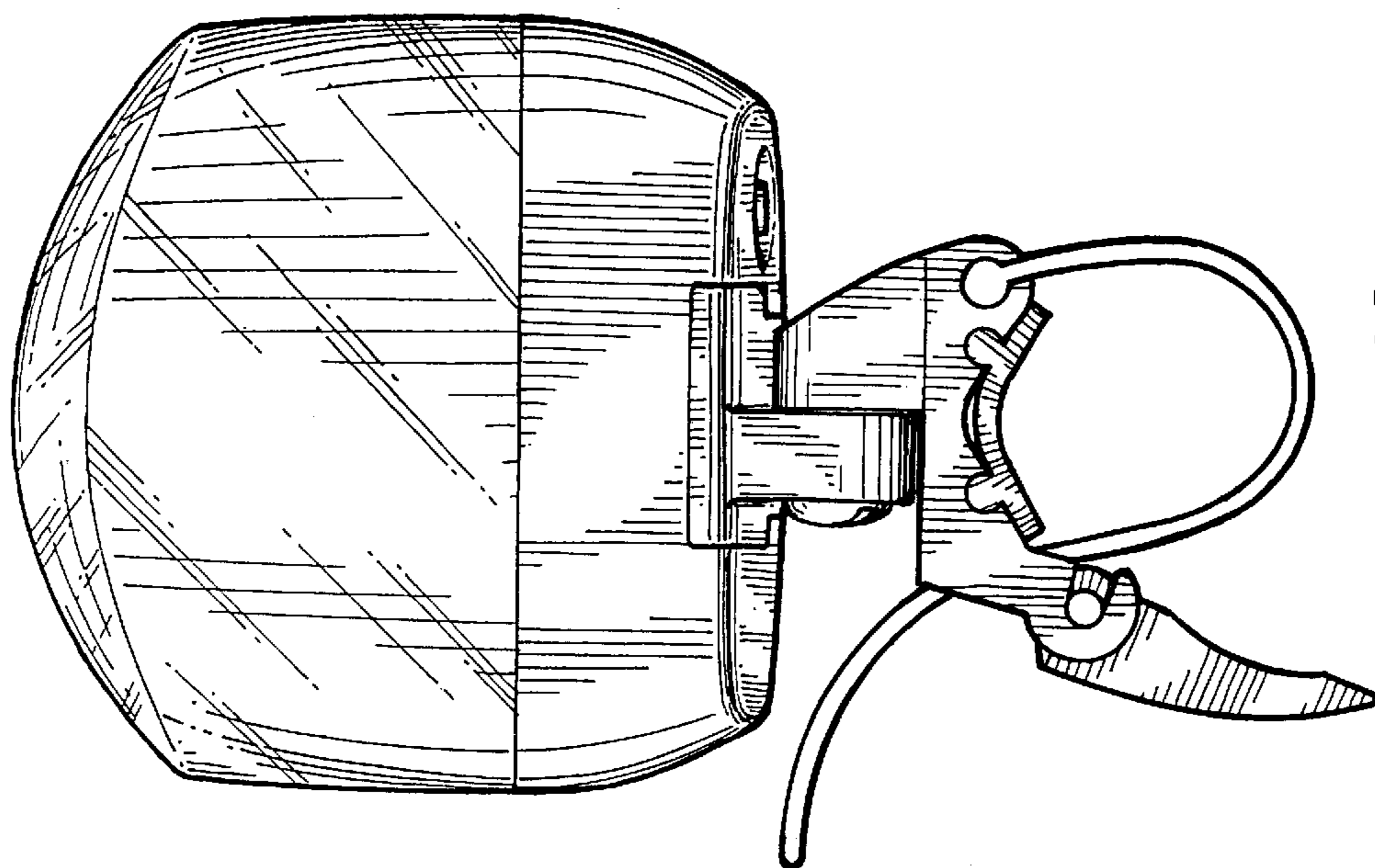


Fig. 12

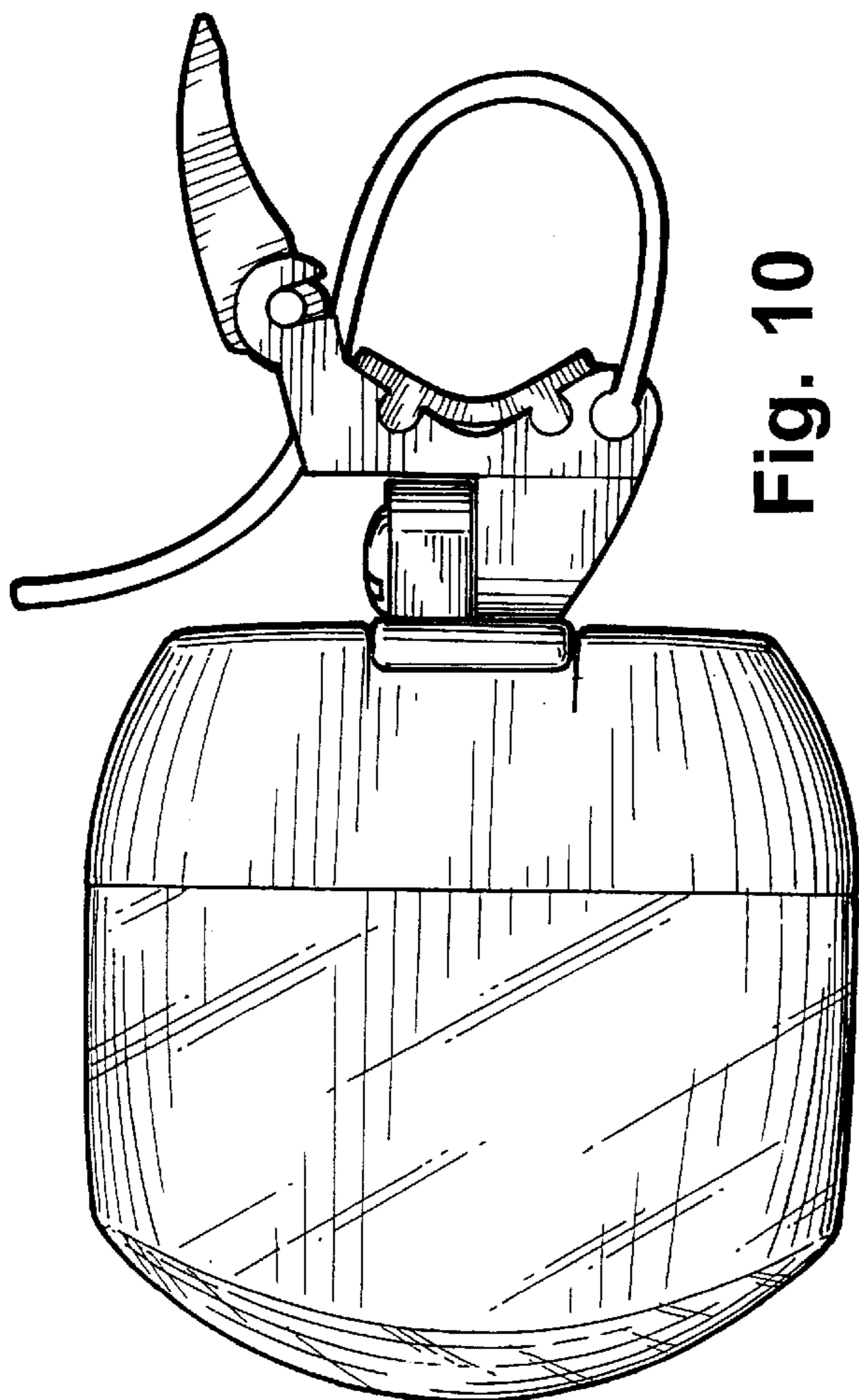


Fig. 10

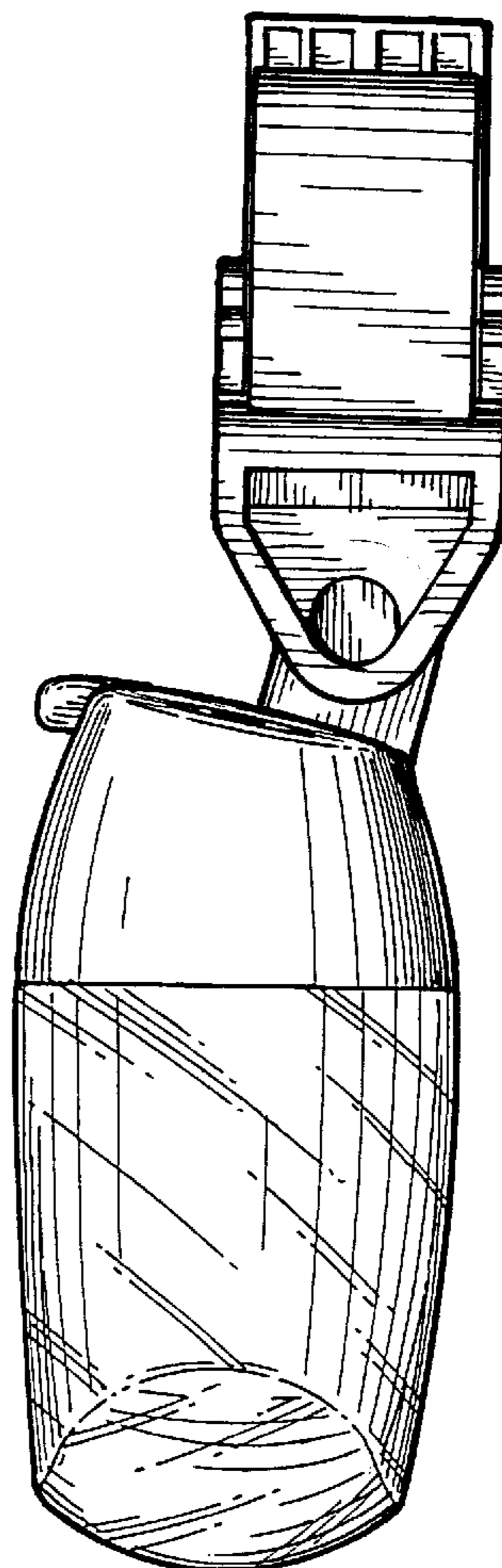


Fig. 11

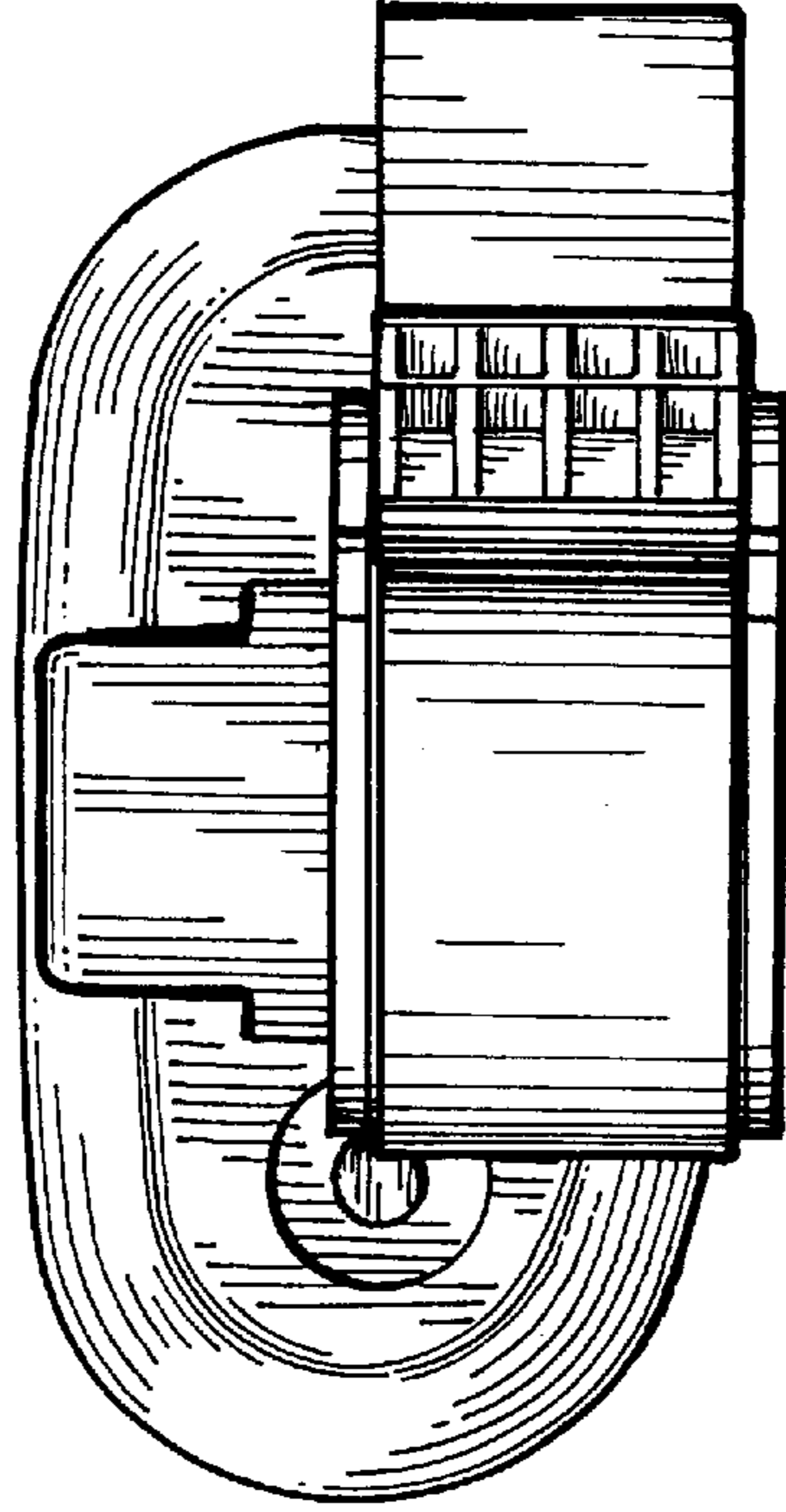


Fig. 14

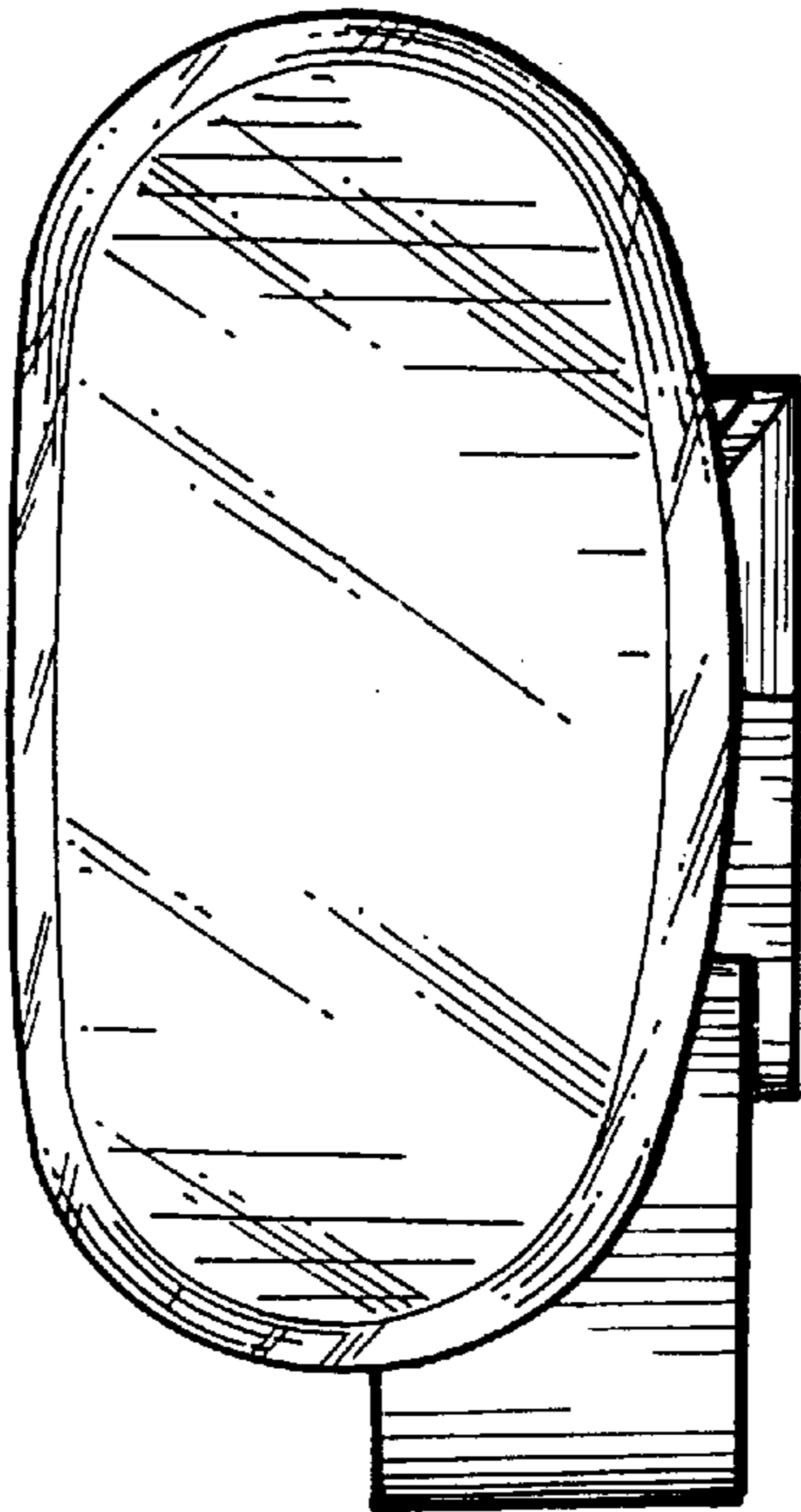


Fig. 13

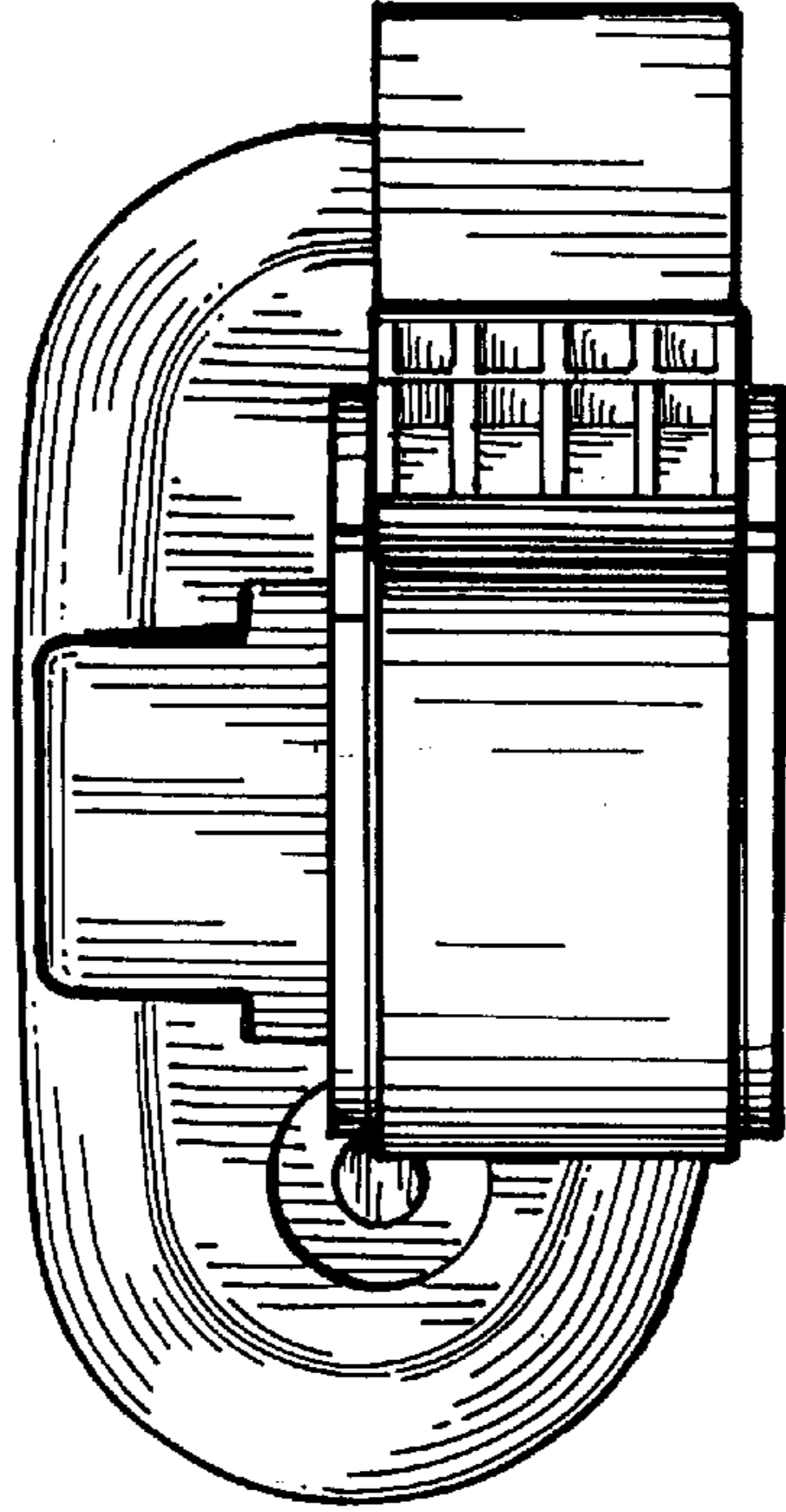


Fig. 7A

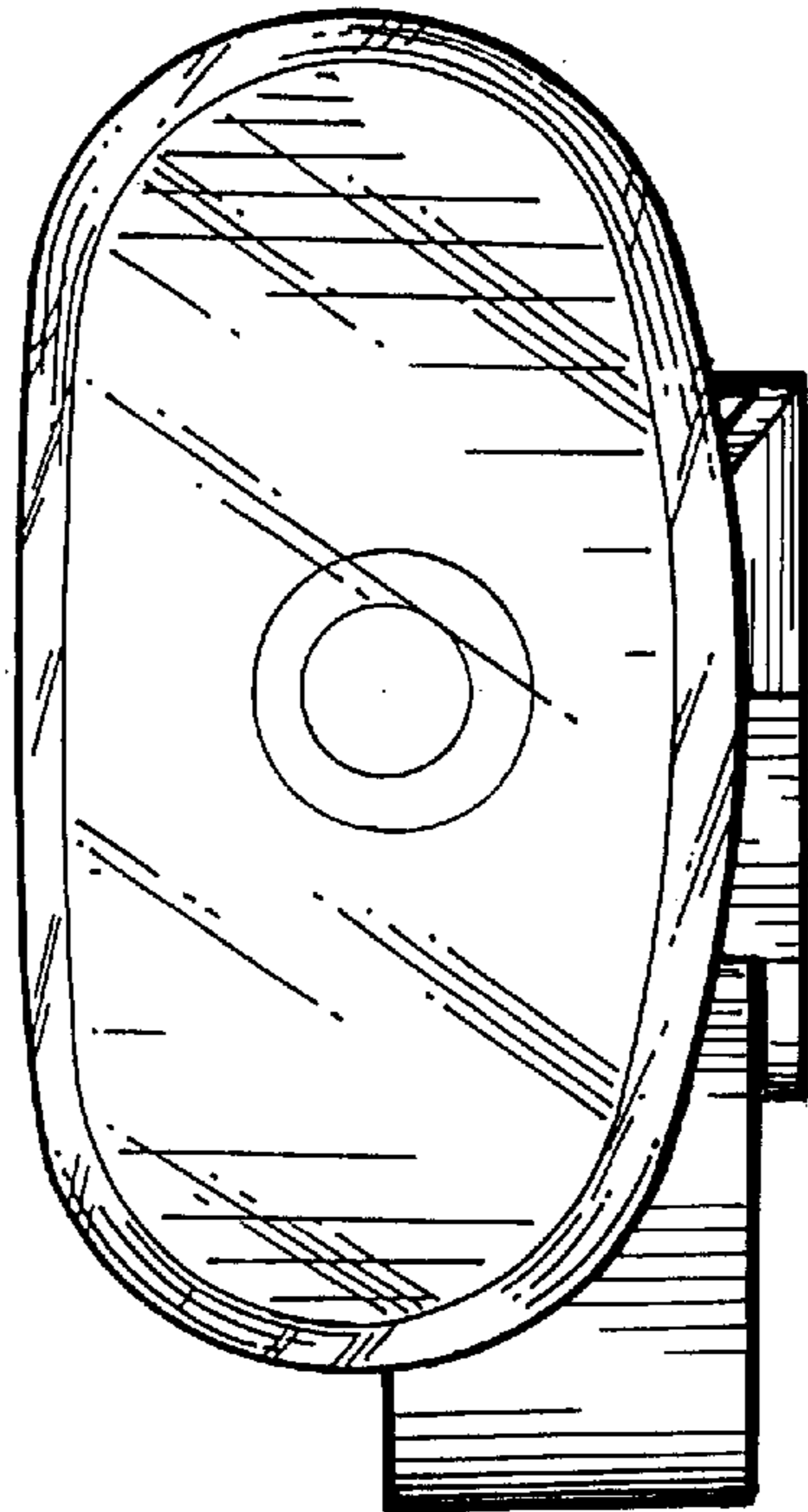


Fig. 6A