



US00D395708S

# United States Patent [19]

[11] Patent Number: **Des. 395,708**

Shartle et al.

[45] Date of Patent: **\*\*\*Jun. 30, 1998**

[54] **HOLDER FOR RECEIVING ONE COVETTE**

[75] Inventors: **Robert J. Shartle**, Livermore; **Phillip H. Gooding**, Mountain View, both of Calif.

[73] Assignee: **Biometric Imaging, Inc.**, Mountain View, Calif.

[\*] Notice: The portion of the term of this patent subsequent to Aug. 19, 2011, has been disclaimed.

[\*\*] Term: **14 Years**

[21] Appl. No.: **52,758**

[22] Filed: **Apr. 4, 1996**

[51] **LOC (6) Cl.** ..... **24-02**

[52] **U.S. Cl.** ..... **D24/224; D24/216; D24/223; D24/225**

[58] **Field of Search** ..... D24/224, 226, D24/223, 169; 422/102, 104, 55, 56, 68.1, 64; 436/806, 810, 470

[56] **References Cited**

**U.S. PATENT DOCUMENTS**

- D. 302,294 7/1989 Hillman ..... D24/223
- D. 333,185 2/1993 Andersen et al. .... D24/225
- D. 337,164 7/1993 Lauks et al. .... D24/169
- D. 351,913 10/1994 Hieb et al. .... D24/225
- D. 366,938 2/1996 Shartle et al. .... D24/225 X

- 4,301,412 11/1981 Hill et al. .... D24/169 X
- 4,318,994 3/1982 Meyer et al. .... D24/224
- 4,673,657 6/1987 Christian ..... D24/223 X
- 4,868,129 9/1989 Gibbons et al. .... 436/179
- 5,000,923 3/1991 Coville et al. .... 422/104
- 5,164,067 11/1992 Marsoner et al. .... 422/104
- 5,173,193 12/1992 Schembri ..... 210/782
- 5,260,221 11/1993 Ramel et al. .... D24/225
- 5,320,808 6/1994 Holen et al. .... 422/64

**FOREIGN PATENT DOCUMENTS**

93/19827 10/1993 WIPO .

*Primary Examiner*—Louis S. Zarfaz

*Assistant Examiner*—I Simmons

*Attorney, Agent, or Firm*—Fulwider Patton Lee & Utecht, LLP

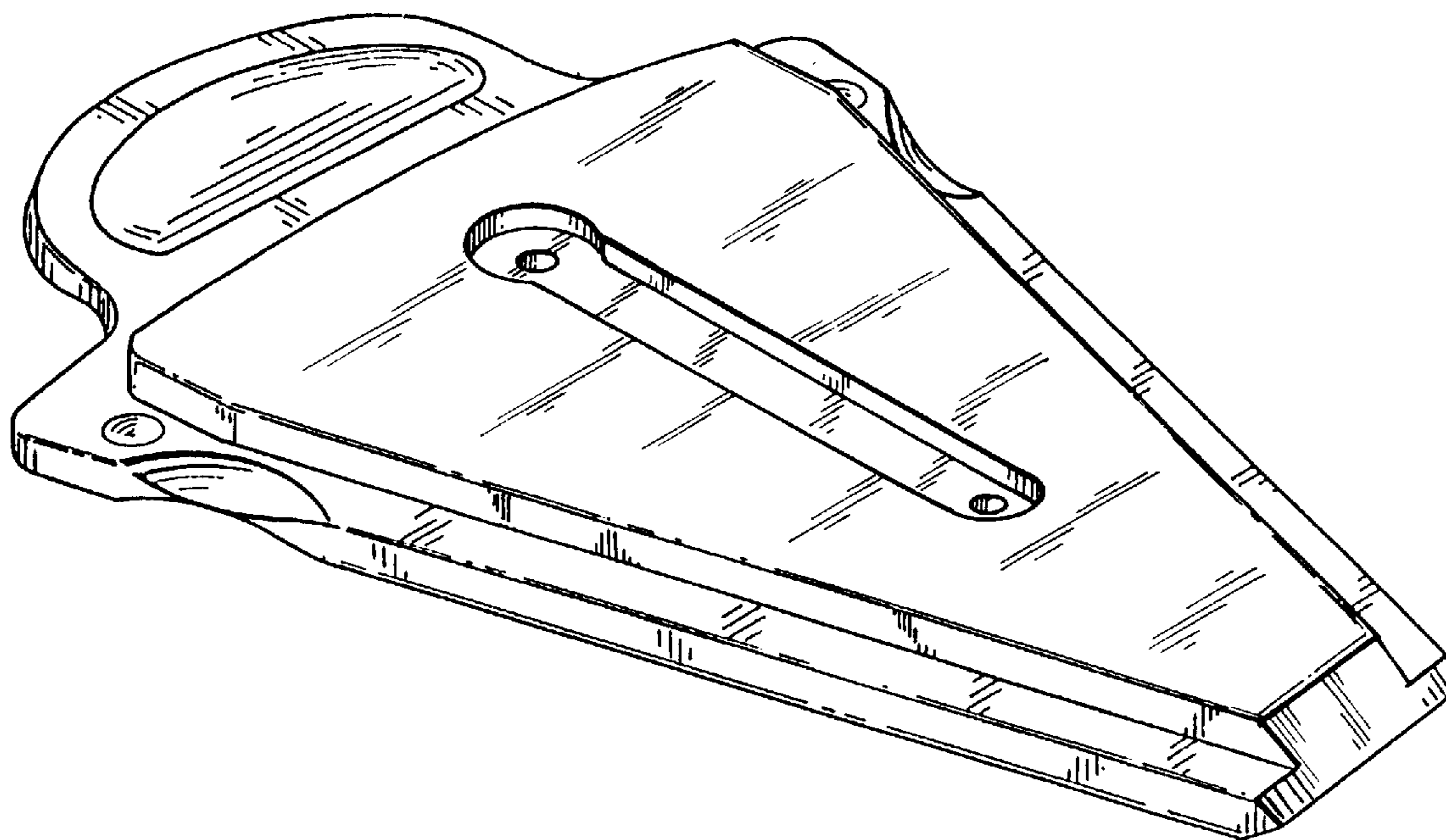
[57] **CLAIM**

The ornamental design for a holder for receiving one cuvette, as shown and described.

**DESCRIPTION**

FIG. 1 is a front, top right perspective view of a holder for receiving one cuvette, showing our new design; FIG. 2 is a right side elevational view of the invention, with the left side elevational view being a mirror image thereof; FIG. 3 is a top plan view of the invention; FIG. 4 is a bottom plan view of the invention; FIG. 5 is a rear elevational view of the invention; and, FIG. 6 is a front elevational view of the invention.

**1 Claim, 3 Drawing Sheets**



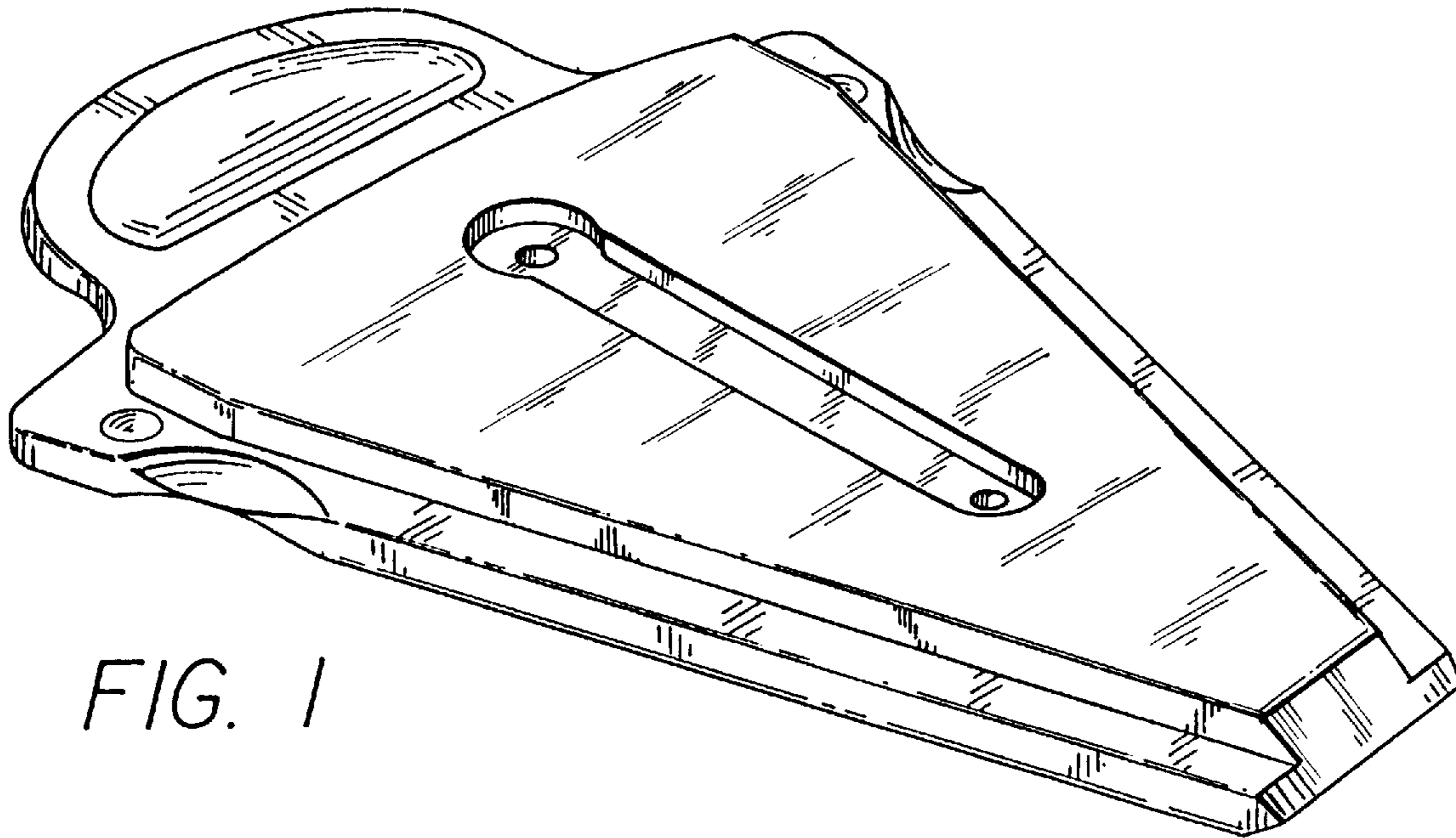


FIG. 1

FIG. 5

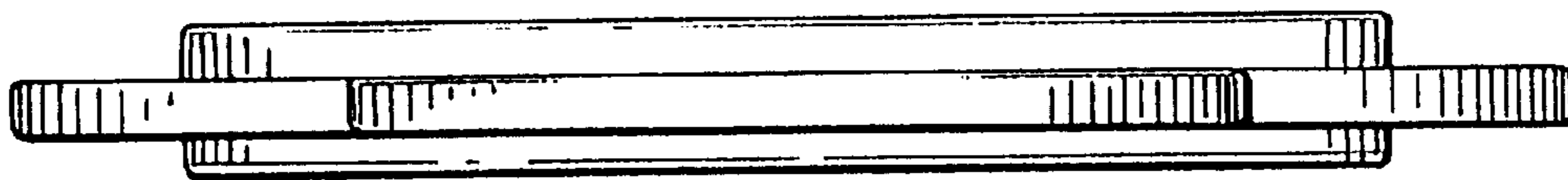
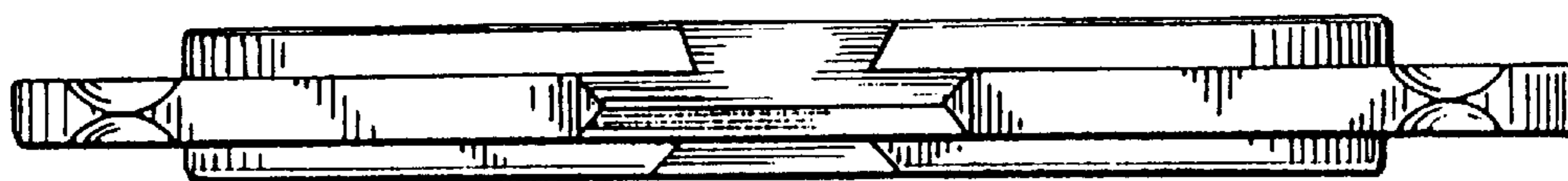


FIG. 6



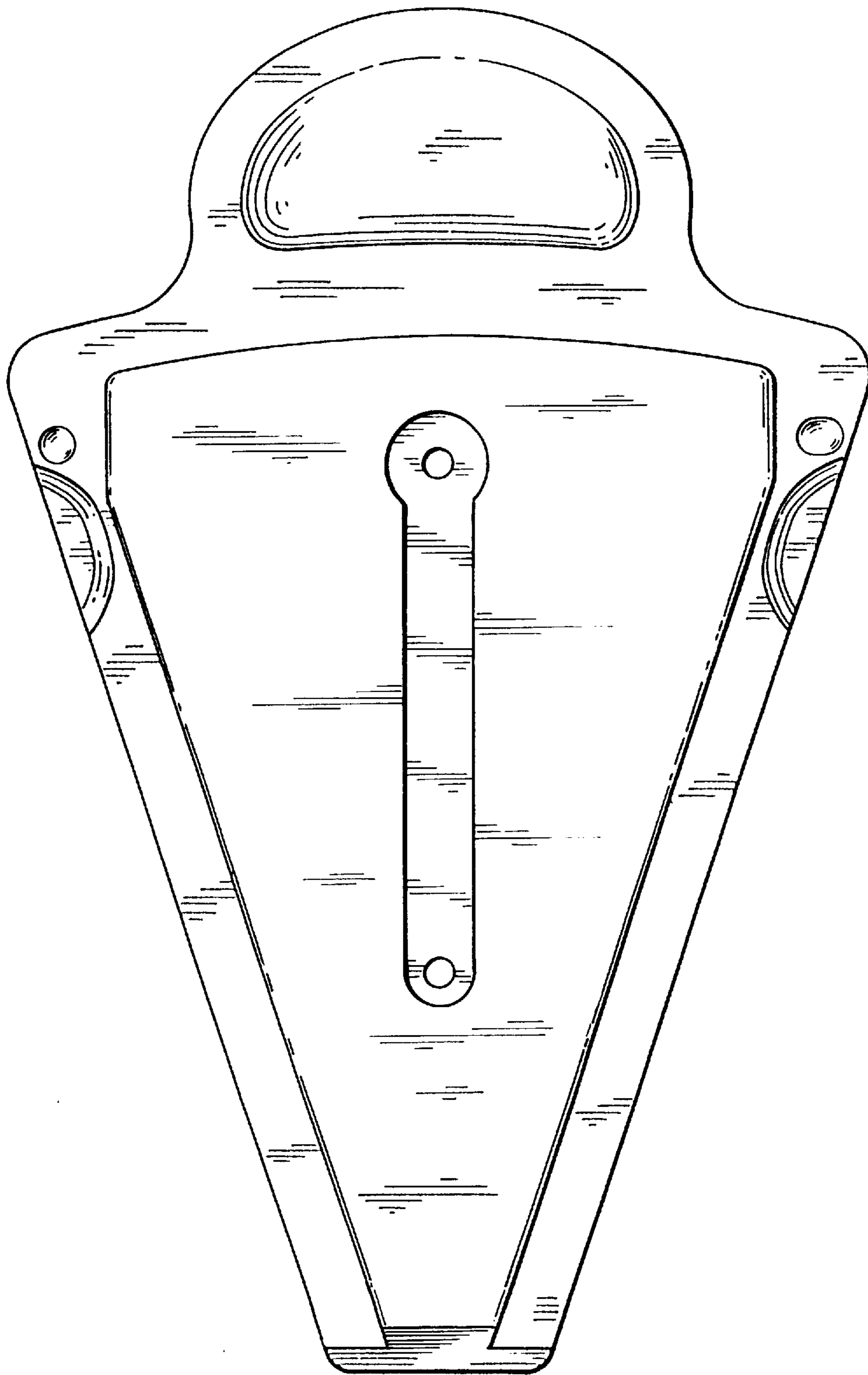


FIG. 3



FIG. 2

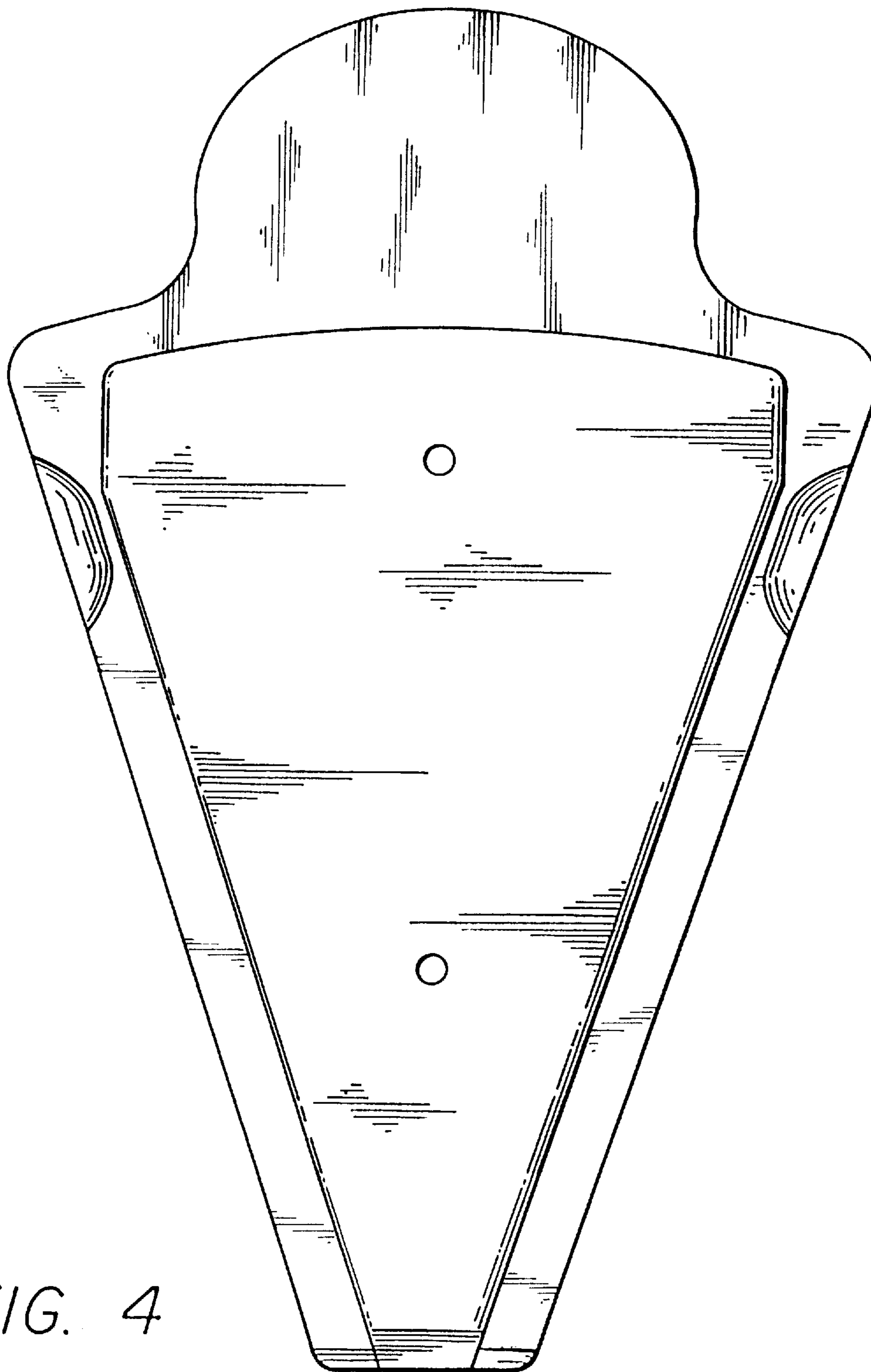


FIG. 4

UNITED STATES PATENT AND TRADEMARK OFFICE  
**CERTIFICATE OF CORRECTION**

PATENT NO. : Des. 395,708  
DATED : June 30, 1998  
INVENTOR(S) : Robert J. Shartle, Phillip H. Gooding

It is certified that error appears in the above-identified patent and that said Letters Patent is hereby corrected as shown below:

Title page, the title is wrong, change "COVETTE", to read --CUVETTE--.

Signed and Sealed this  
Twenty-seventh Day of October, 1998

Attest:



BRUCE LEHMAN

Attesting Officer

Commissioner of Patents and Trademarks