



US00D395704S

# United States Patent [19]

Thomas et al.

[11] Patent Number: **Des. 395,704**

[45] Date of Patent: **\*\*Jun. 30, 1998**

[54] **AIR PURIFIER**

D. 374,278 10/1996 Ganor ..... D23/364

[75] Inventors: **James Thomas**, Memphis; **Masao Tsuji**, Germantown, both of Tenn.

*Primary Examiner*—Lisa Lichtenstein  
*Attorney, Agent, or Firm*—Baker, Donelson, Bearman & Caldwell

[73] Assignee: **Hunter Fan Company**, Memphis, Tenn.

## [57] CLAIM

[\*\*] Term: **14 Years**

The ornamental design for an air purifier, as shown.

[21] Appl. No.: **64,679**

## DESCRIPTION

[22] Filed: **Jan. 8, 1997**

FIG. 1 is a perspective view of an air purifier, showing our new design;

[51] **LOC (6) Cl.** ..... **23-04**

[52] **U.S. Cl.** ..... **D23/364**

FIG. 2 is a right-side view of the air purifier shown in FIG. 1, the left-side view being a mirror image thereof;

[58] **Field of Search** ..... D23/364, 365;

55/356; 422/168

FIG. 3 is a front view thereof;

FIG. 4 is a rear view thereof;

FIG. 5 is a top view thereof; and,

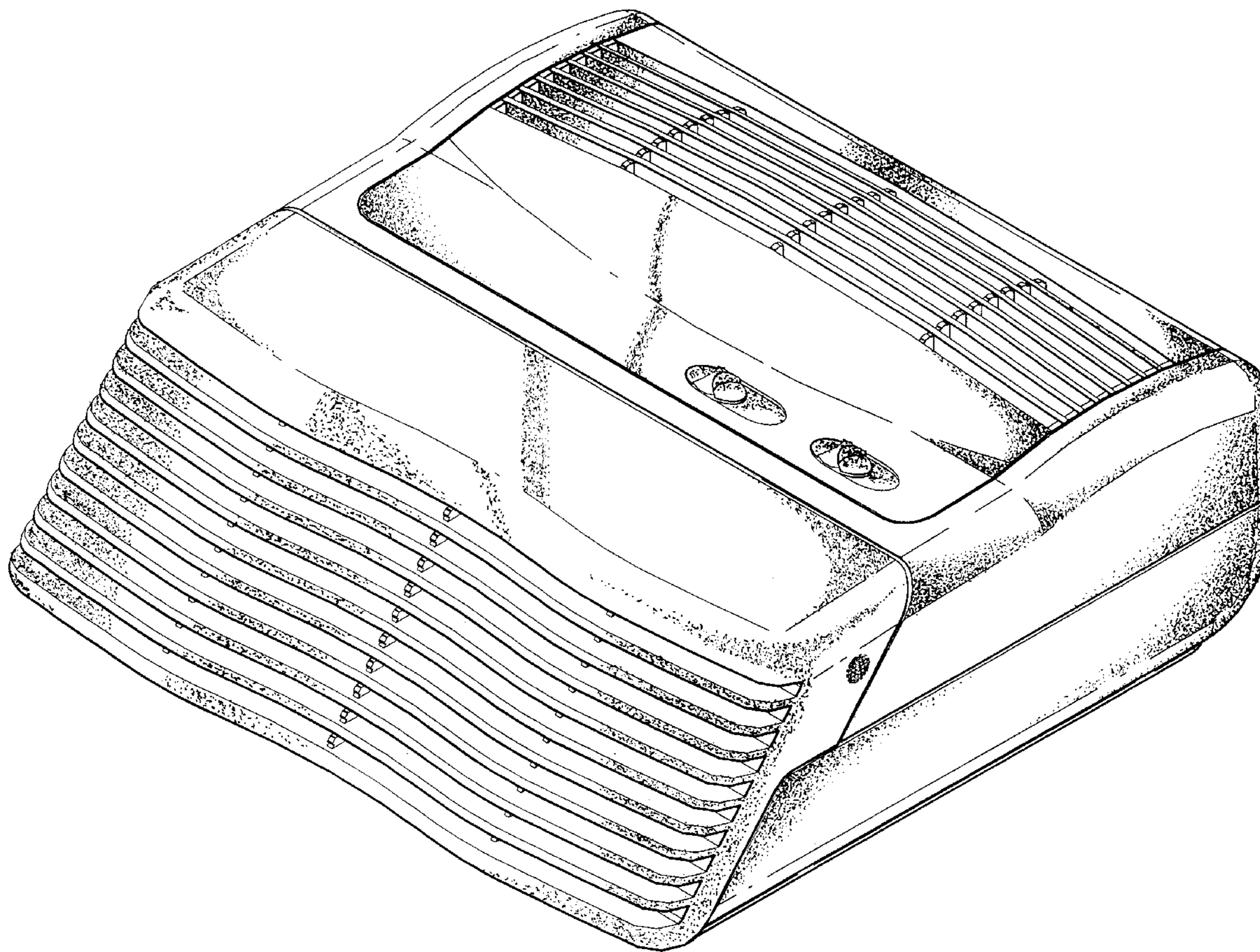
FIG. 6 is a bottom view thereof.

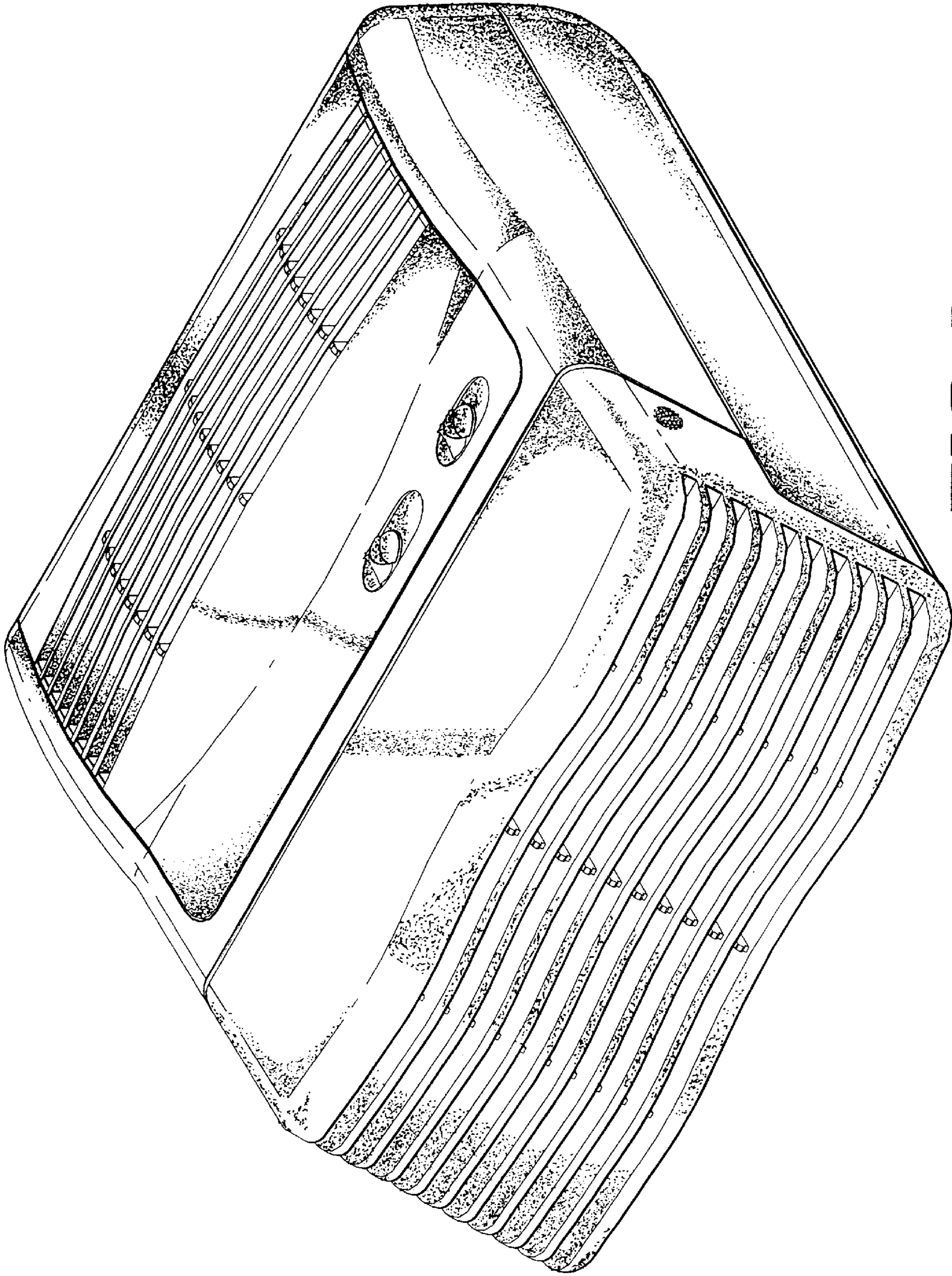
## [56] References Cited

### U.S. PATENT DOCUMENTS

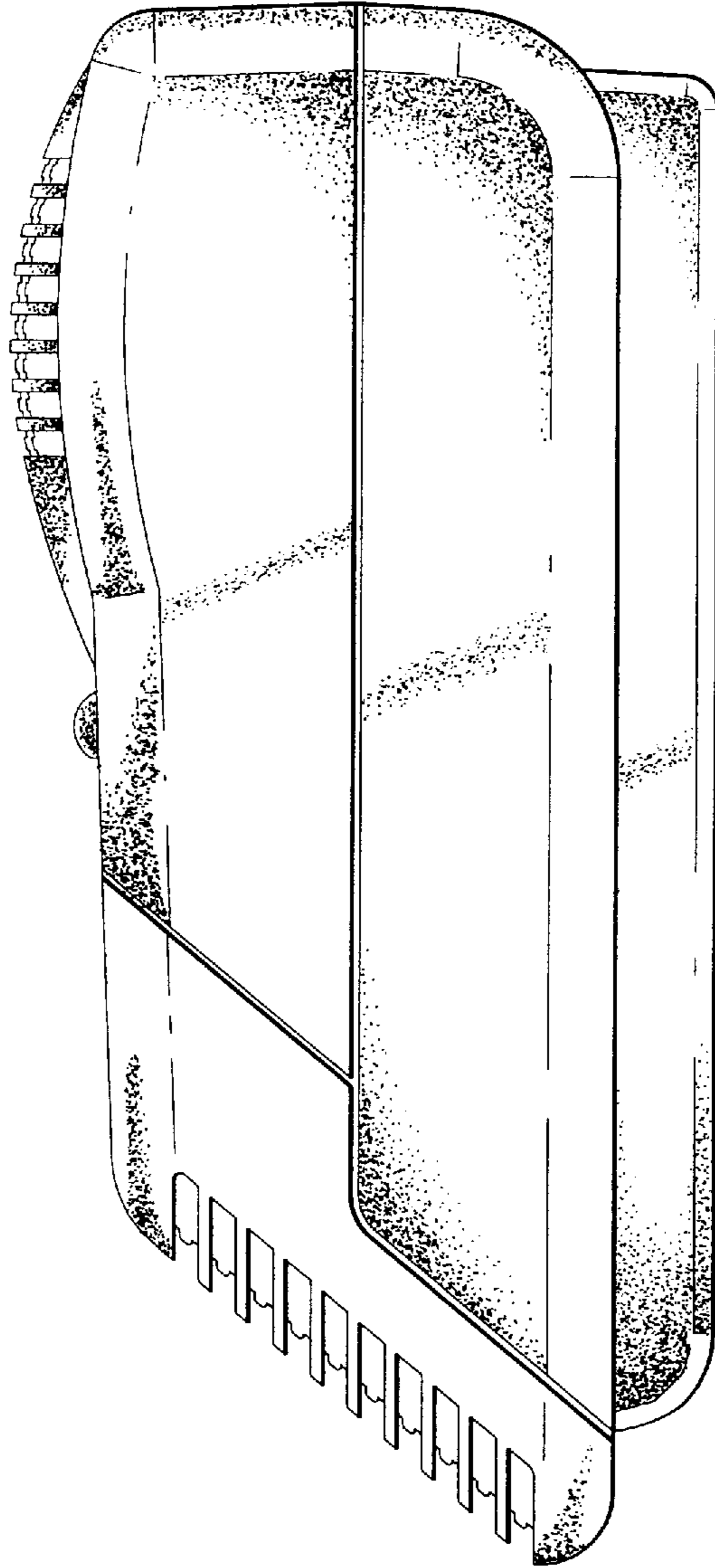
D. 344,791 3/1994 Cunning ..... D23/364

**1 Claim, 6 Drawing Sheets**

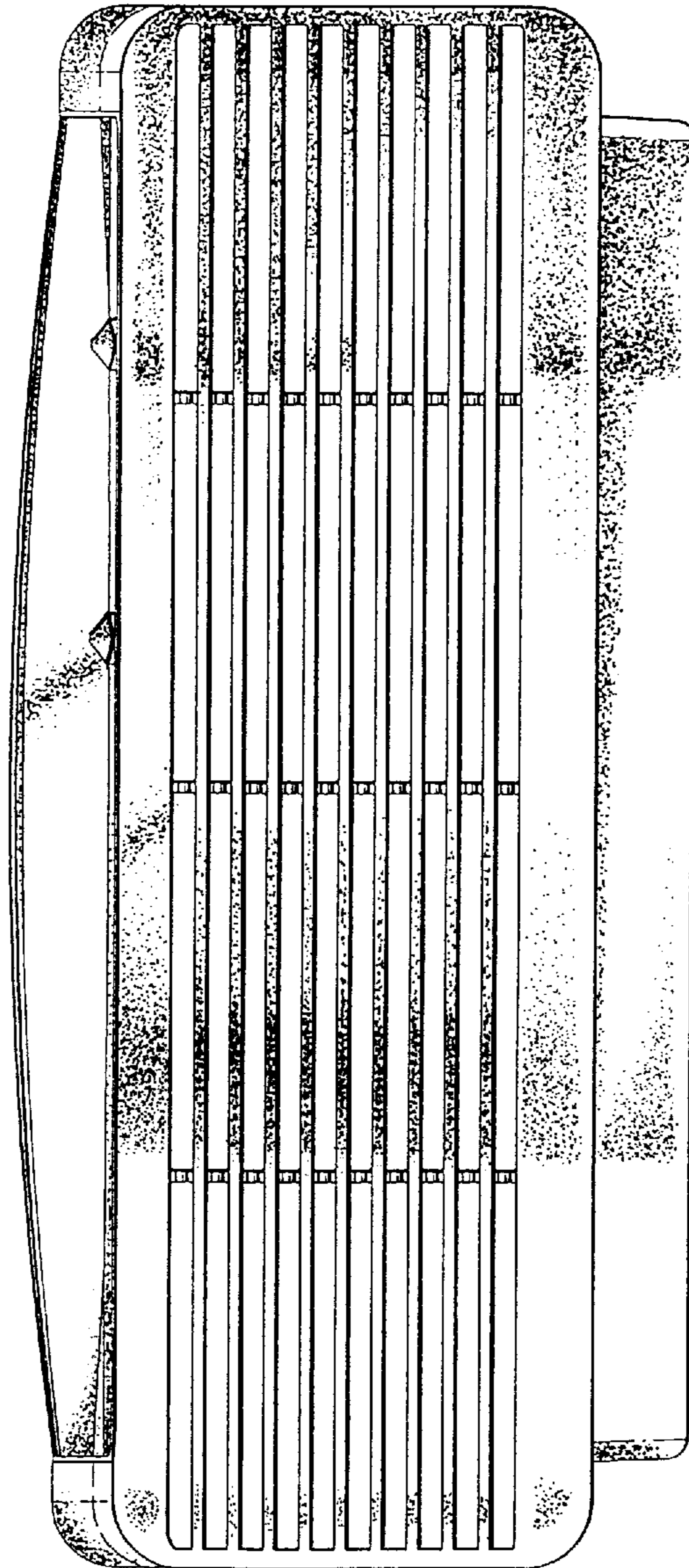




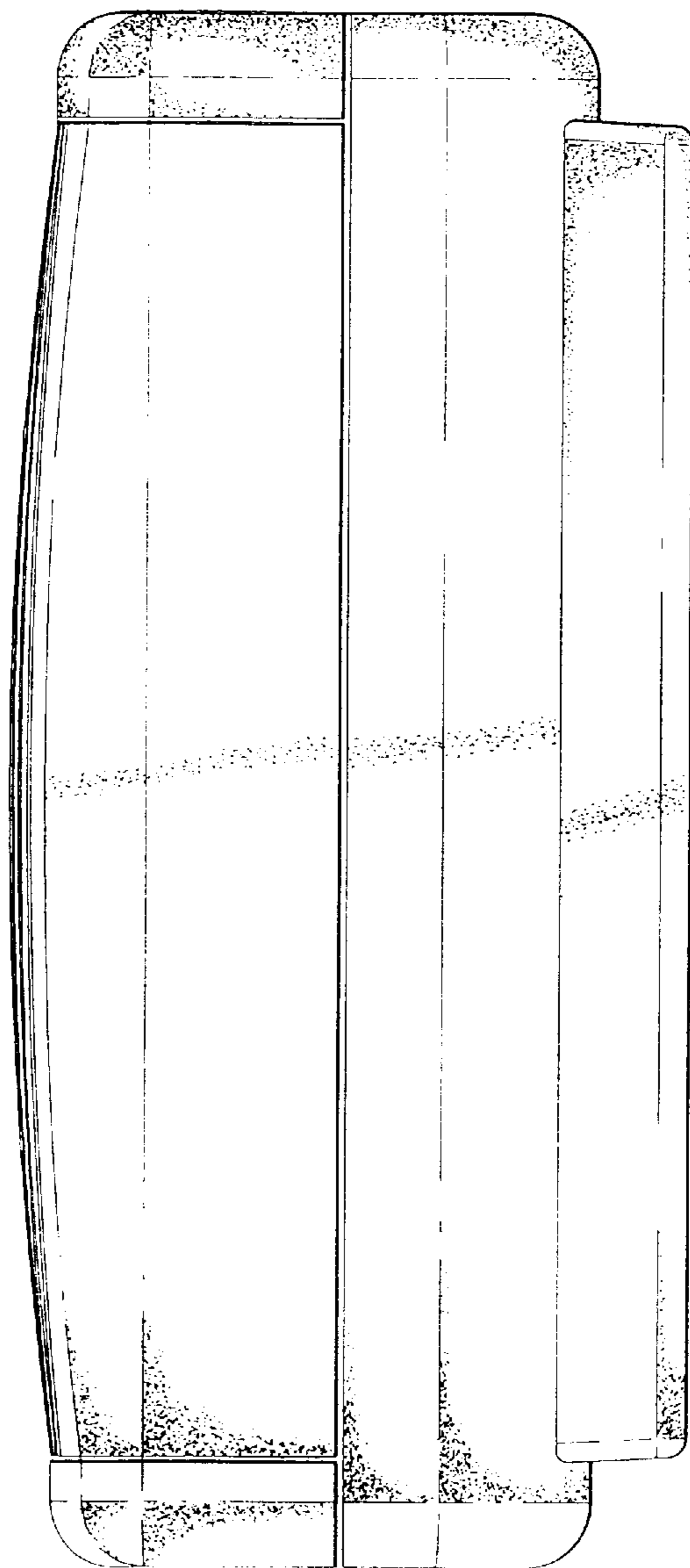
**FIG 1**



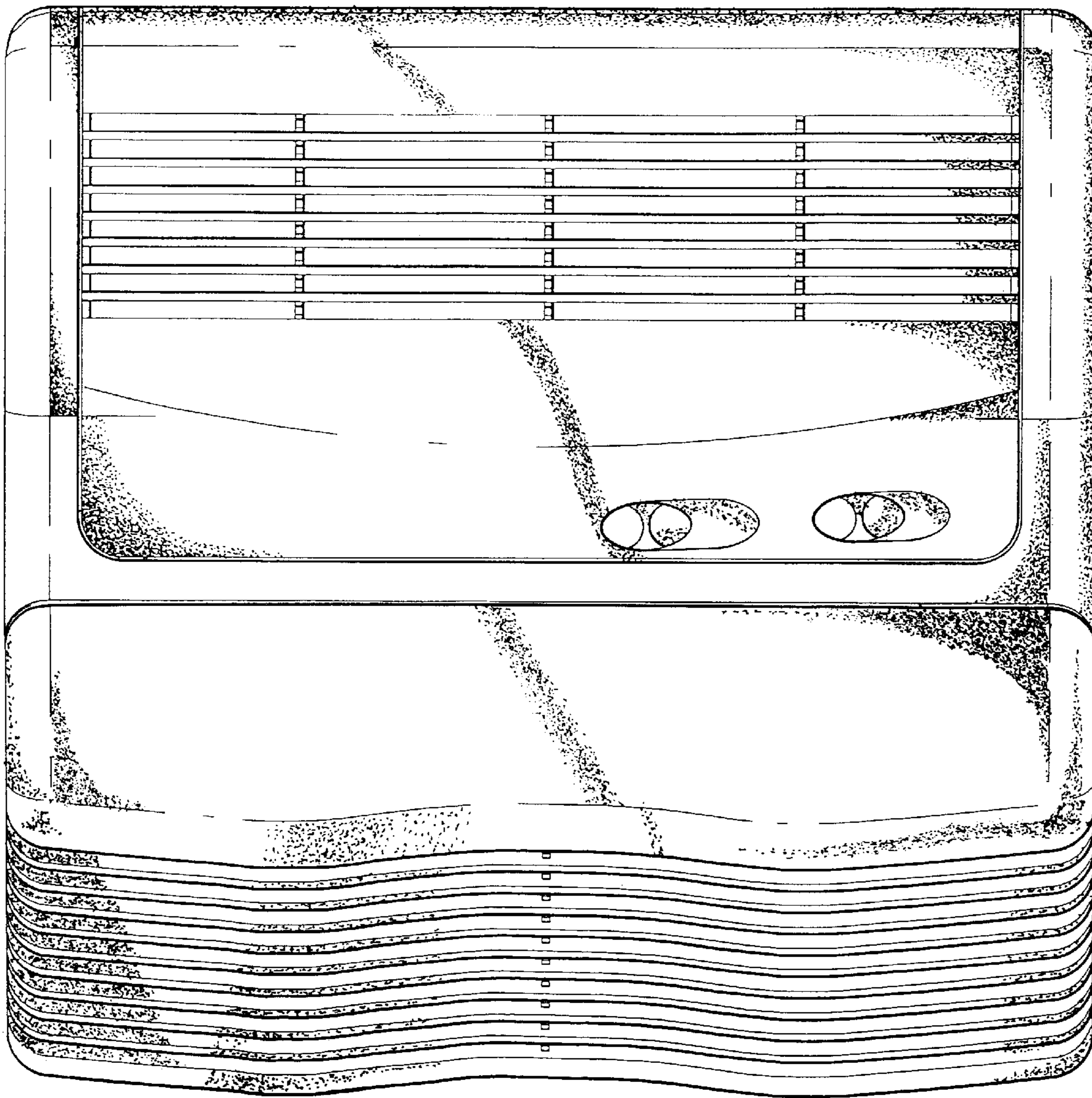
**FIG 2**



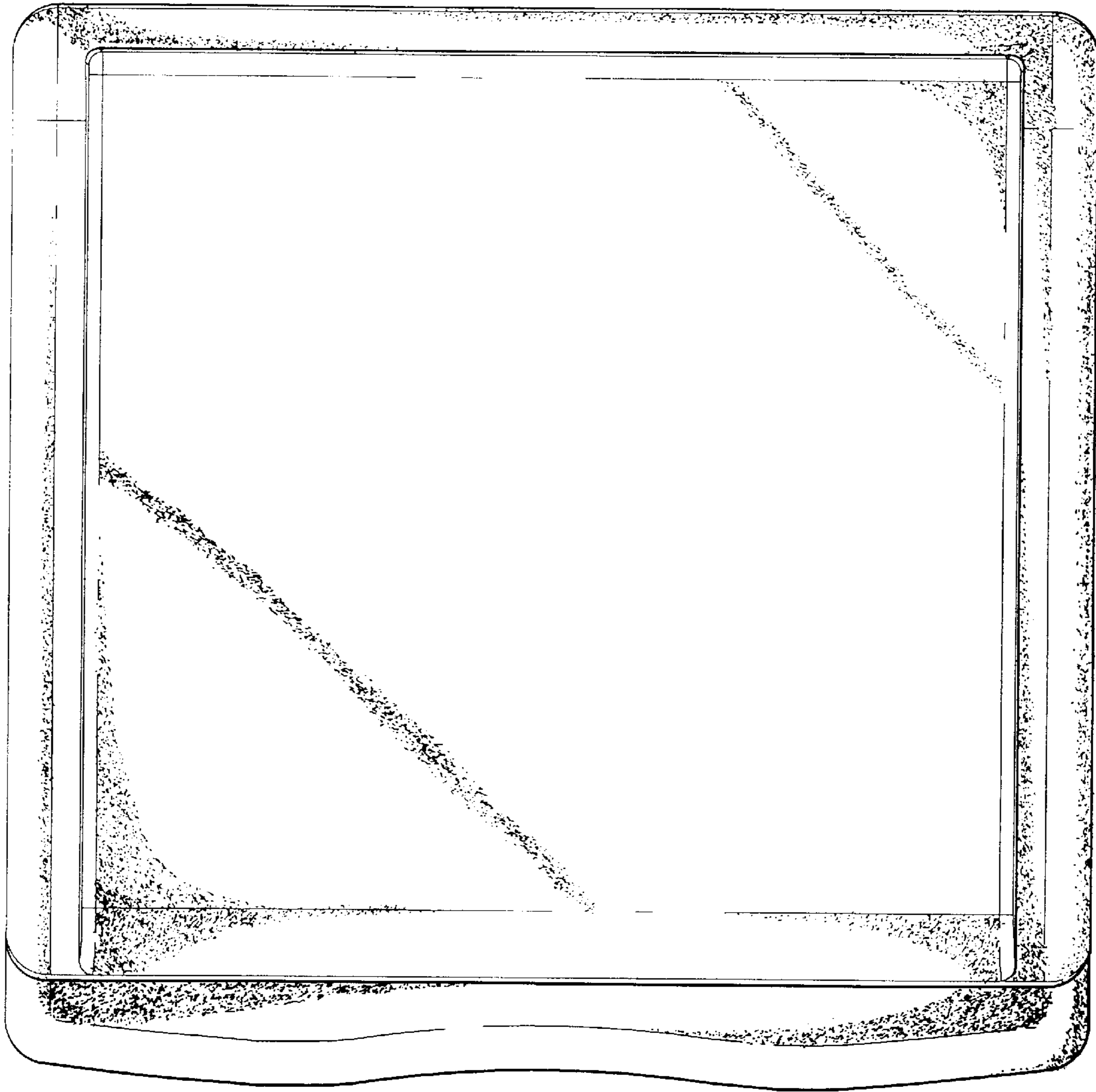
**FIG 3**



**FIG 4**



**FIG 5**



**FIG 6**