



US00D395702S

United States Patent [19]

[11] **Patent Number: Des. 395,702**

Flatt

[45] **Date of Patent: **Jun. 30, 1998**

[54] **TIMED LIGHTBULB HEATING DEVICE**

4,225,910 9/1980 Conte 362/378

[76] Inventor: **Rayburn Flatt**, 121 Cathys La.,
Huntland, Tenn. 37345

Primary Examiner—Lisa Lichtenstein

[**] Term: **14 Years**

[57] CLAIM

[21] Appl. No.: **75,094**

The ornamental design for a timed lightbulb heating device,
as shown.

[22] Filed: **Aug. 14, 1997**

DESCRIPTION

[51] **LOC (6) Cl.** **23-03**

FIG. 1 is a left side plan view of the timed lightbulb heating
device of the present invention;

[52] **U.S. Cl.** **D23/335; D23/314; D23/332;**
D26/37; D26/119

FIG. 2 is a right side plan view of the timed lightbulb heating
device of FIG. 1;

[58] **Field of Search** D23/314; 219/220;
392/407; D26/37, 38, 119; 362/376, 377,
378

FIG. 3 is a back plan view of the timed lightbulb heating
device of FIG. 1;

[56] References Cited

FIG. 4 is a front plan view of the timed lightbulb heating
device of FIG. 1;

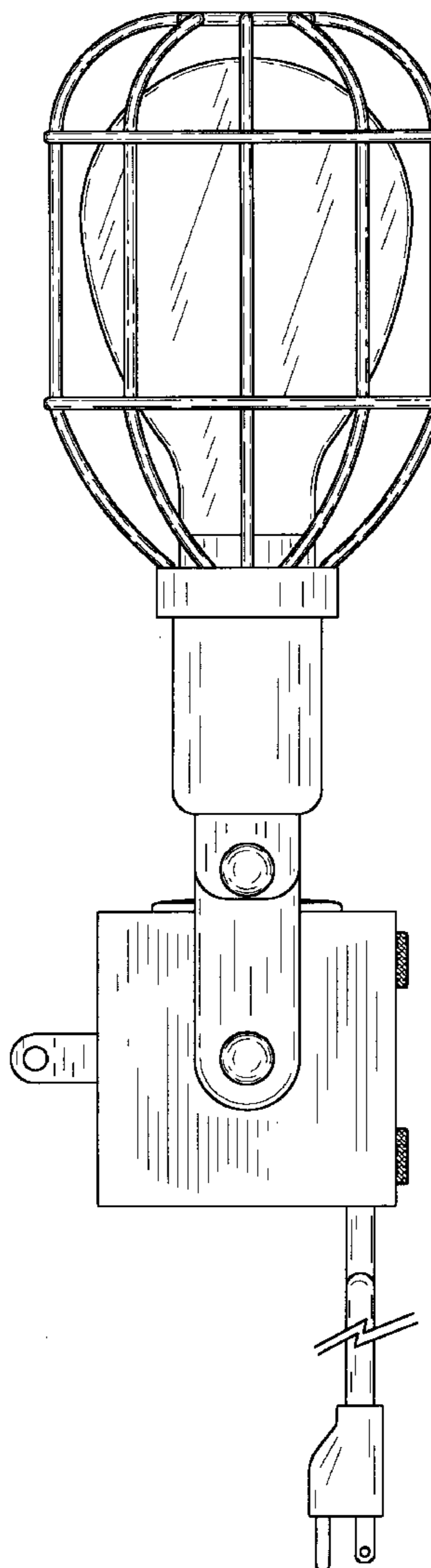
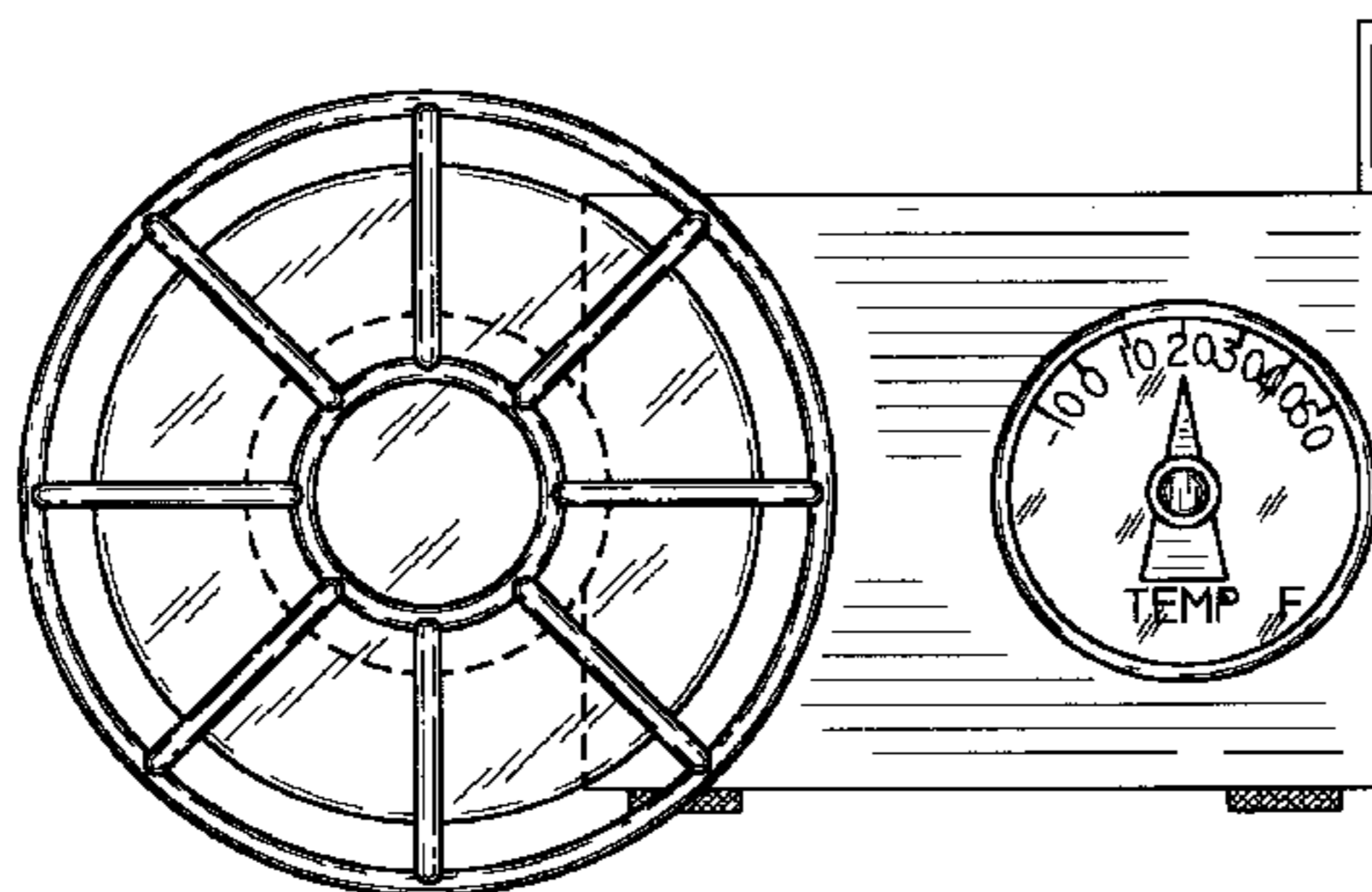
U.S. PATENT DOCUMENTS

FIG. 5 is a top plan view of the timed lightbulb heating
device of FIG. 1; and,

D. 244,715 6/1977 Fierro et al. D26/119
2,555,416 6/1951 Marano 219/220
3,909,589 9/1975 Stone et al. 219/220

FIG. 6 is a bottom plan view of the timed lightbulb heating
device of FIG. 1.

1 Claim, 3 Drawing Sheets



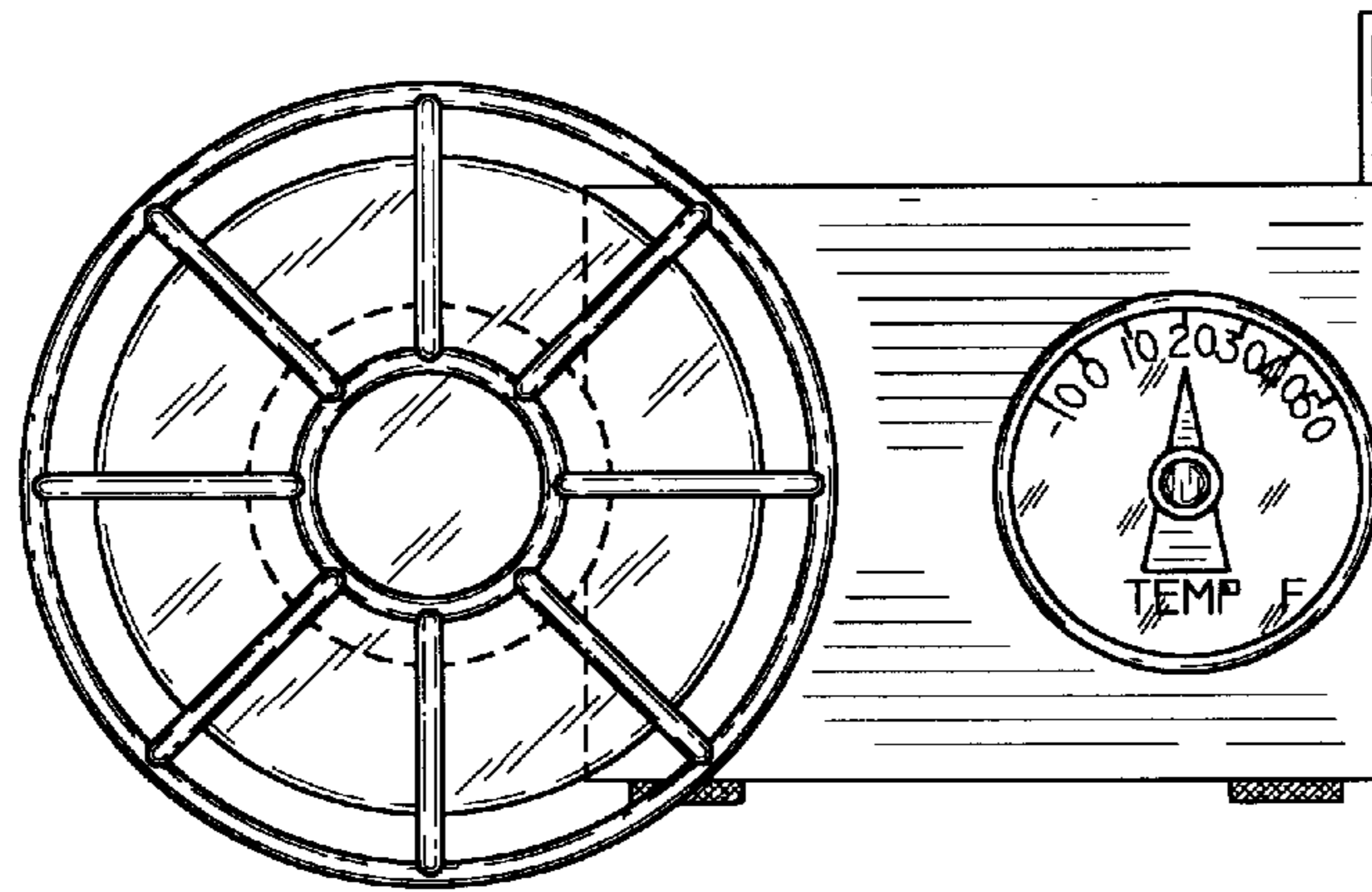


Fig. 1

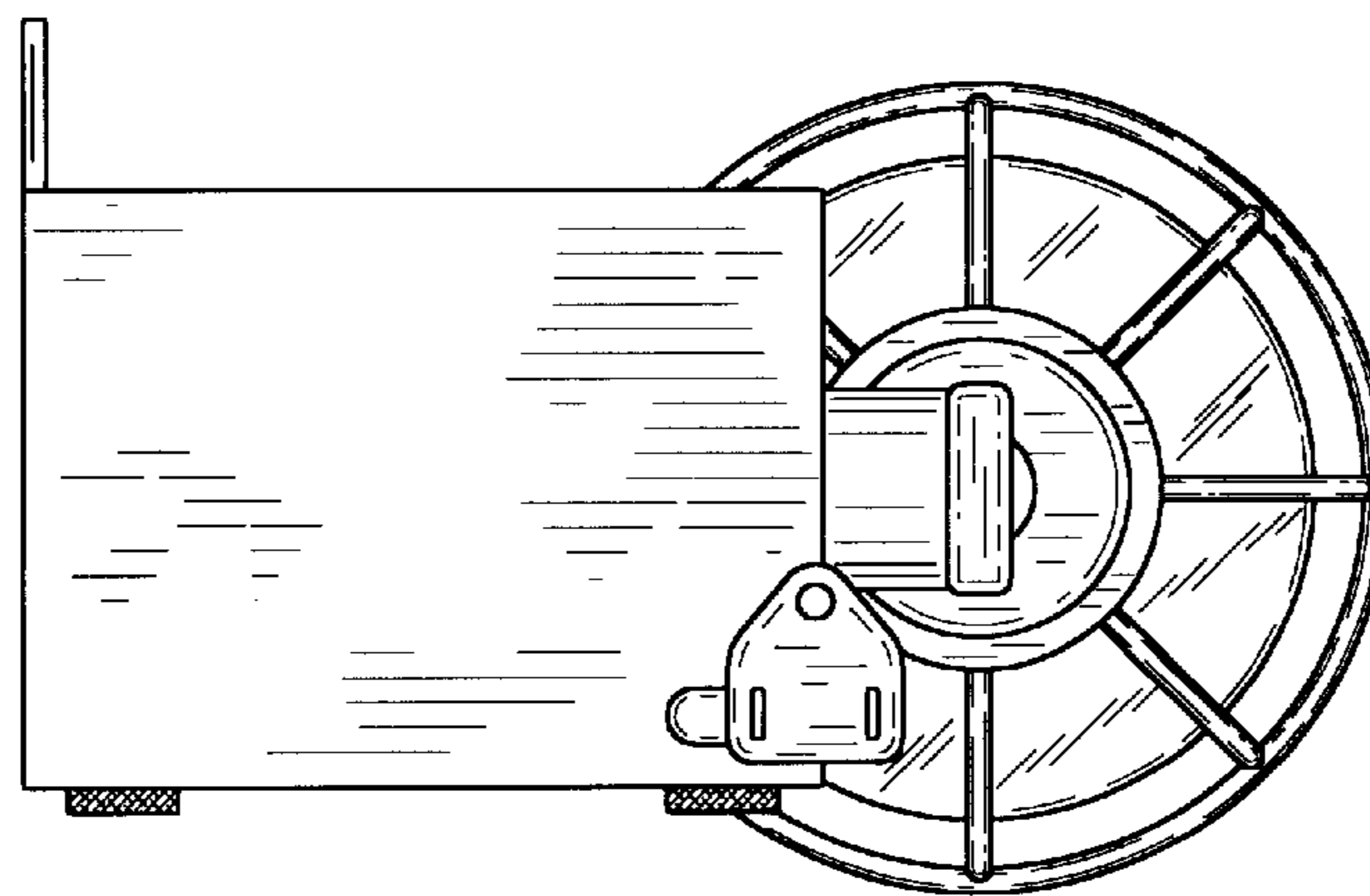


Fig. 2

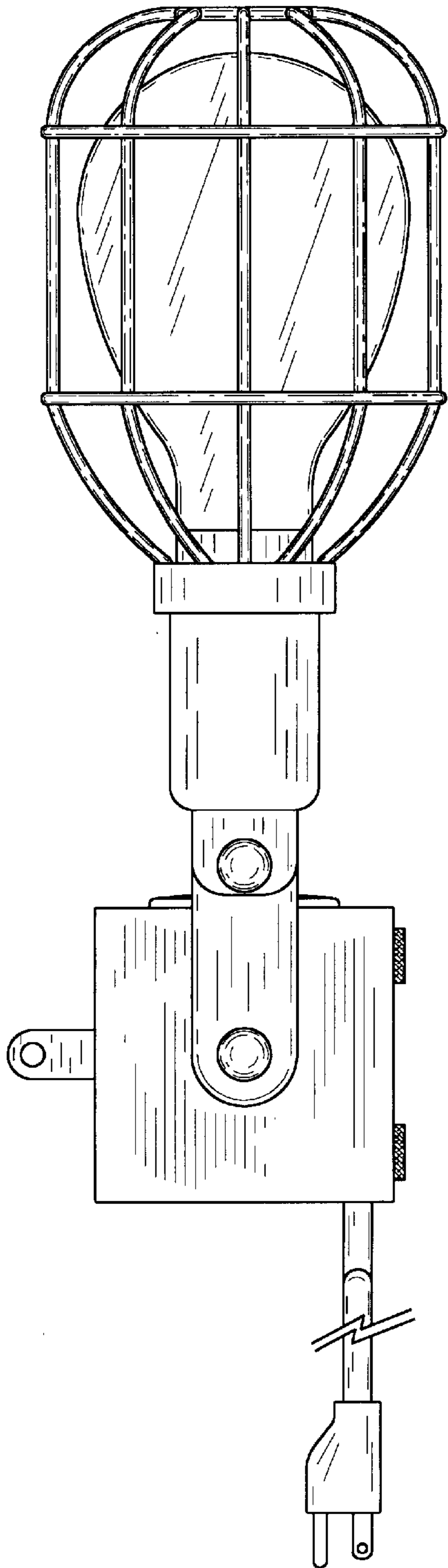


Fig. 3

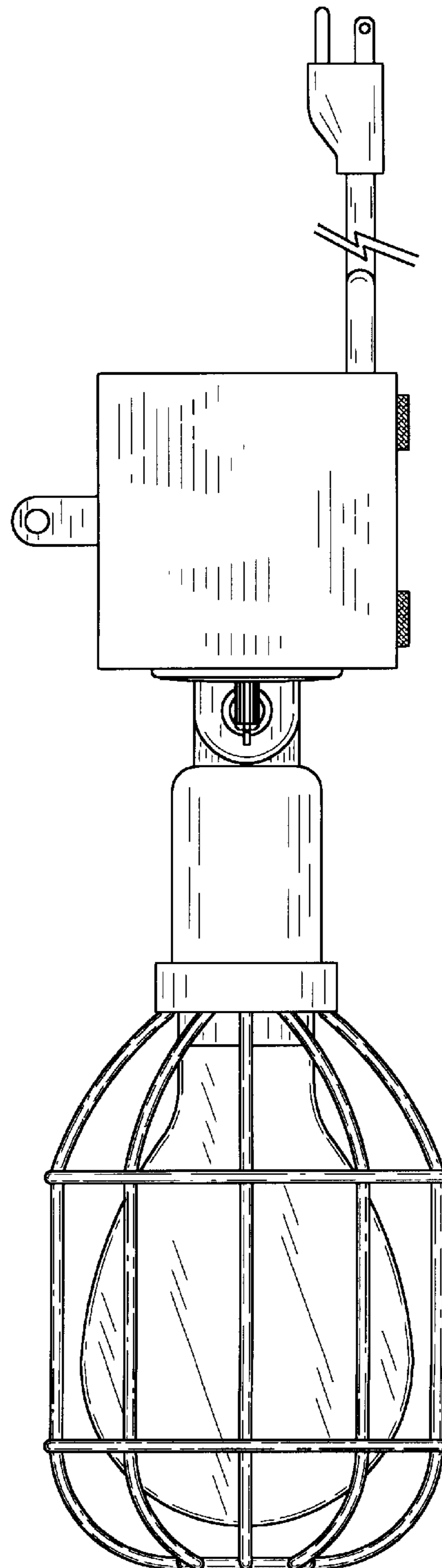


Fig. 4

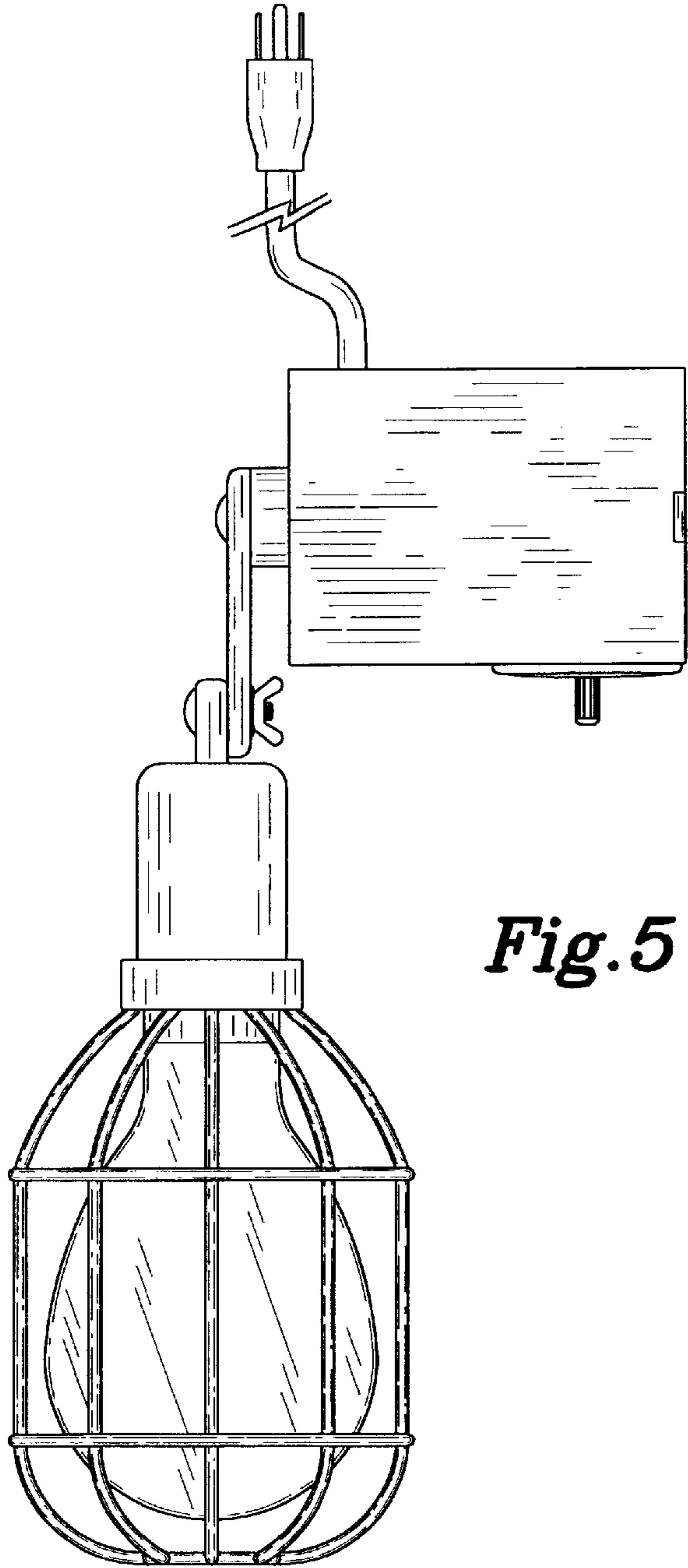


Fig. 5

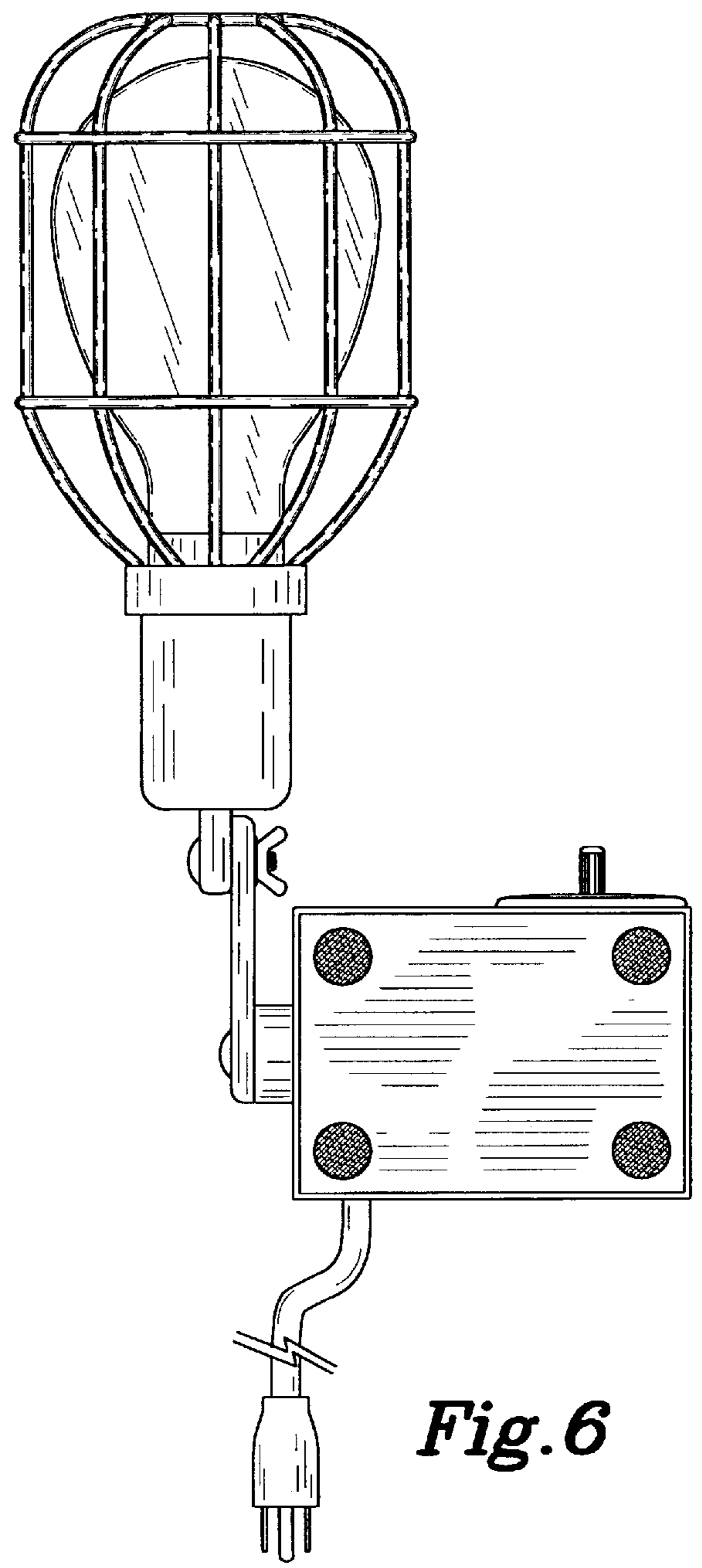


Fig. 6