



US00D395701S

# United States Patent [19]

Radtke et al.

[11] Patent Number: **Des. 395,701**

[45] Date of Patent: **\*\*Jun. 30, 1998**

[54] **COMBINED PORTABLE FAN AND SPRAY MISTING DEVICE**

2,909,316 10/1959 Prohaczka et al. .... 416/246  
3,006,510 10/1961 Sagarin ..... D9/448

[75] Inventors: **Lee Radtke**, Lake Zurich; **Linda M. Usher**, Chicago; **Eric F. Junkel**, Des Plaines, all of Ill.

### FOREIGN PATENT DOCUMENTS

443216 12/1948 Italy ..... 416/5

[73] Assignee: **Circulair, Inc.**, Niles, Ill.

*Primary Examiner*—Lisa Lichtenstein  
*Attorney, Agent, or Firm*—Gifford, Krass, Groh, Sprinkle, Patmore, Anderson & Citkowski, P.C.

[\*\*] Term: **14 Years**

### [57] CLAIM

[21] Appl. No.: **69,929**

The ornamental design for a combined portable fan and spray misting device, as shown.

[22] Filed: **Apr. 29, 1997**

### DESCRIPTION

[51] **LOC (6) Cl.** ..... **23-04**

[52] **U.S. Cl.** ..... **D23/328; D9/300; D9/337; D23/332; D23/378; D23/379**

[58] **Field of Search** ..... D23/332, 328, D23/370, 378, 379; 416/146 R, 63, 234, 223 R; 239/333, 290, 289; D9/300, 337, 448

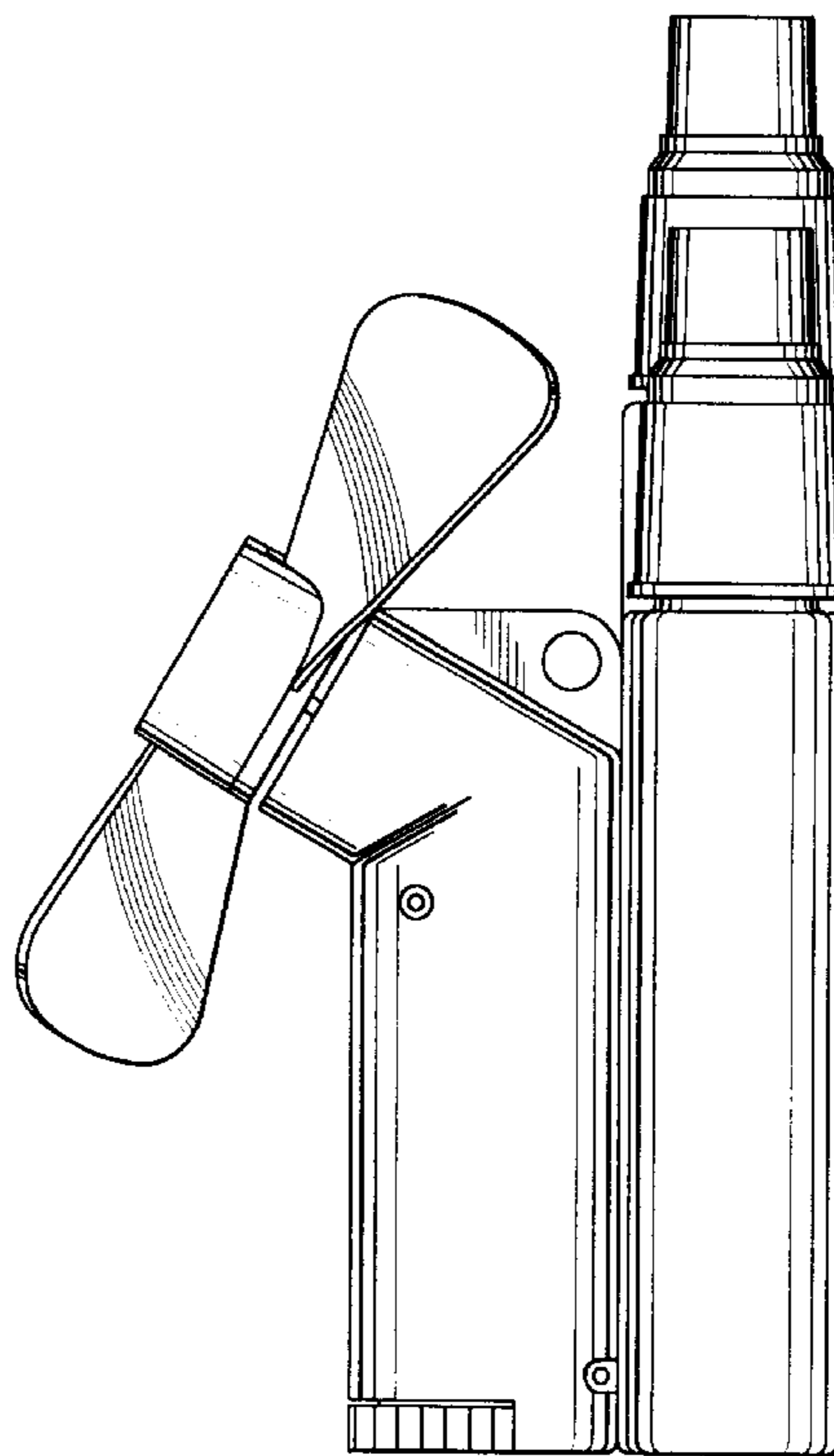
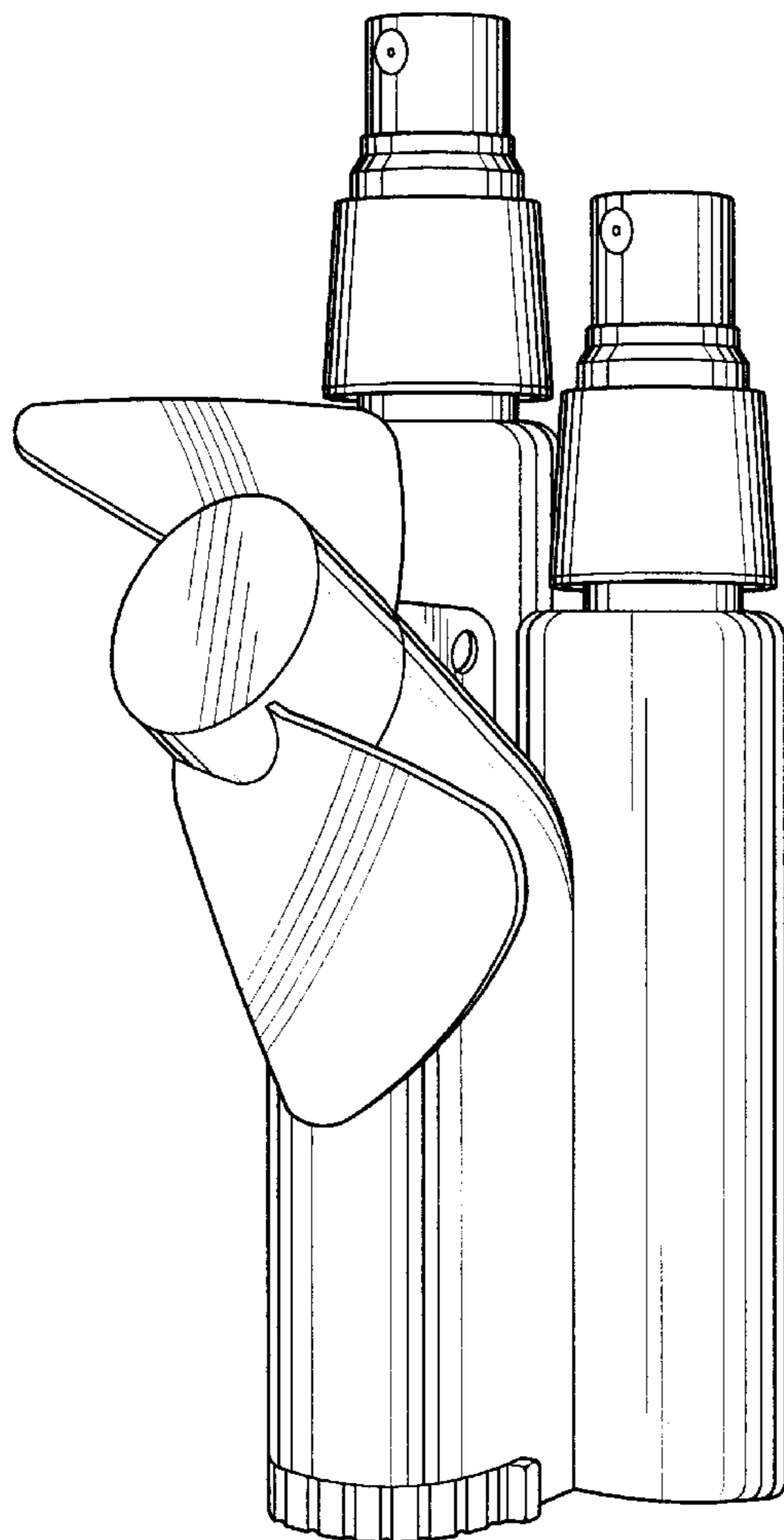
FIG. 1 is a perspective view of the portable fan and spray misting device showing our new design; FIG. 2 is a front elevational view thereof; FIG. 3 is a rear elevational view thereof; FIG. 4 is a top plan view thereof; FIG. 5 is a bottom plan view thereof; FIG. 6 is a left side view thereof; FIG. 7 is a right side view thereof; and, FIG. 8 is perspective view of the portable fan portion of the claimed design shown separately for clarity of illustration.

### [56] References Cited

#### U.S. PATENT DOCUMENTS

D. 345,301 3/1994 Goehring ..... D9/300  
D. 349,954 8/1994 Steiner et al. .... D23/328

**1 Claim, 4 Drawing Sheets**



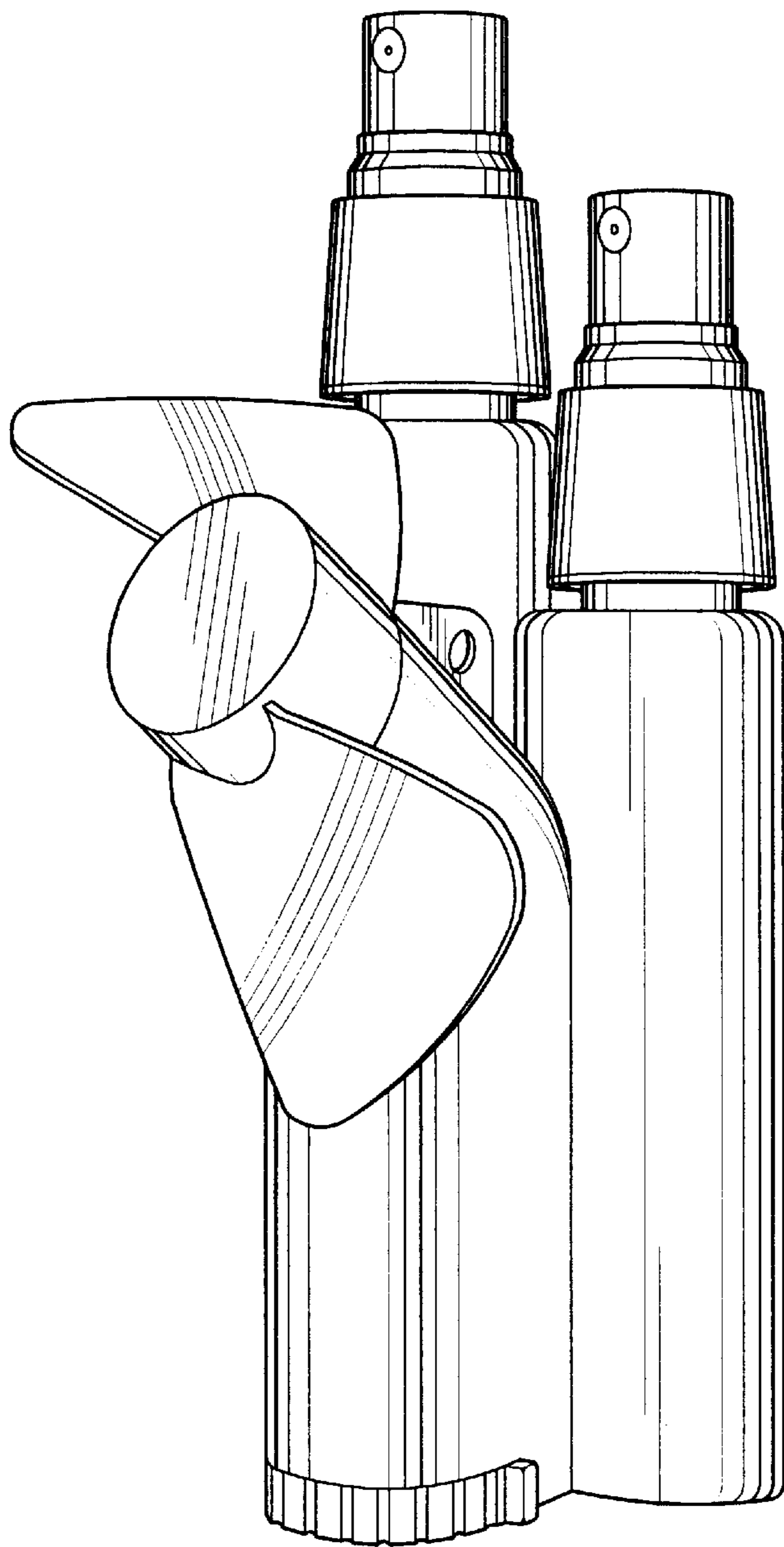


Fig-1

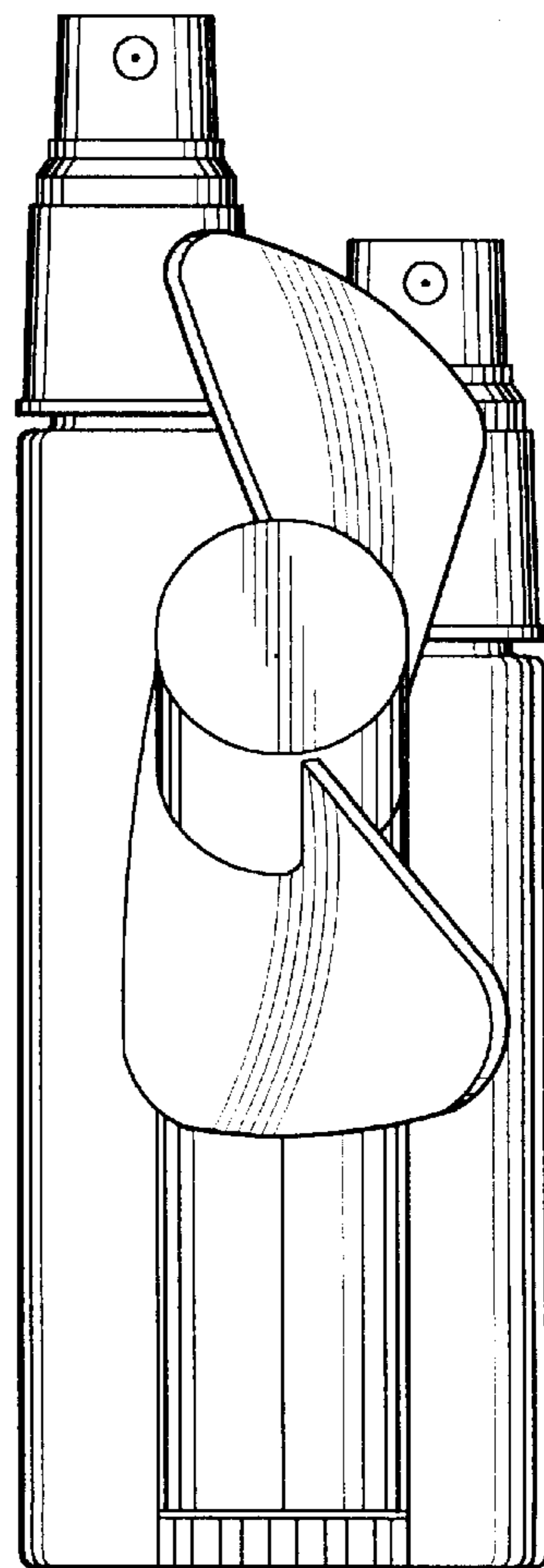


Fig-2

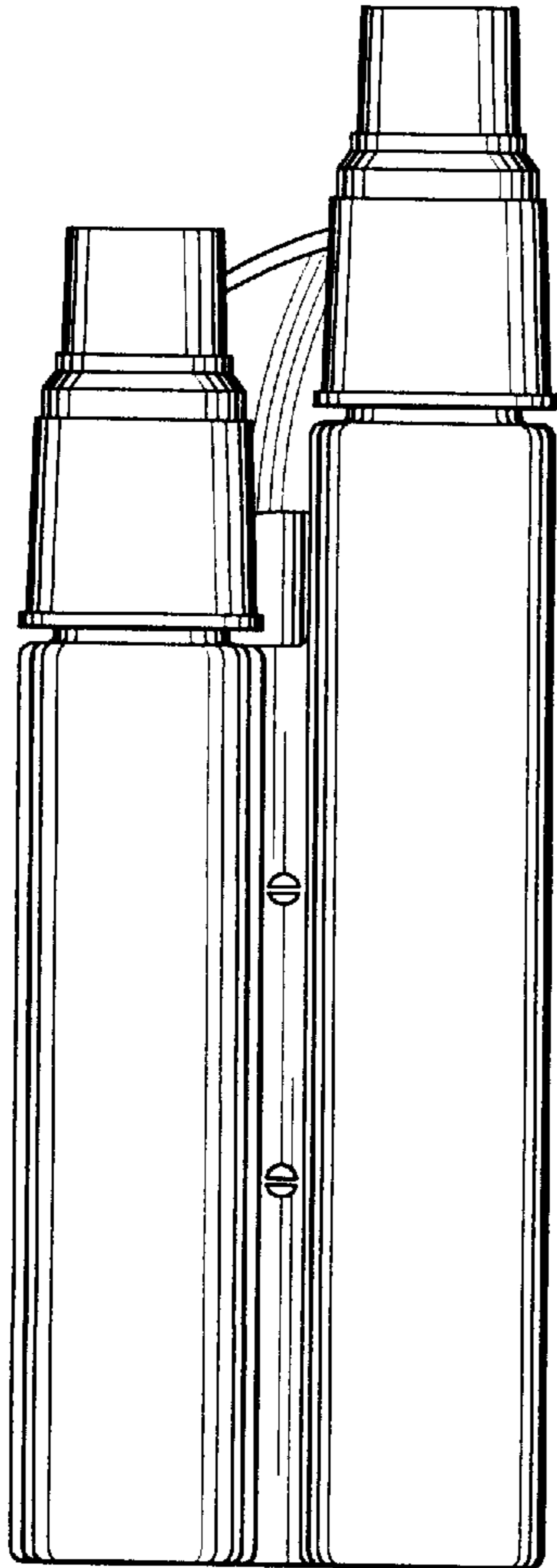


Fig-3

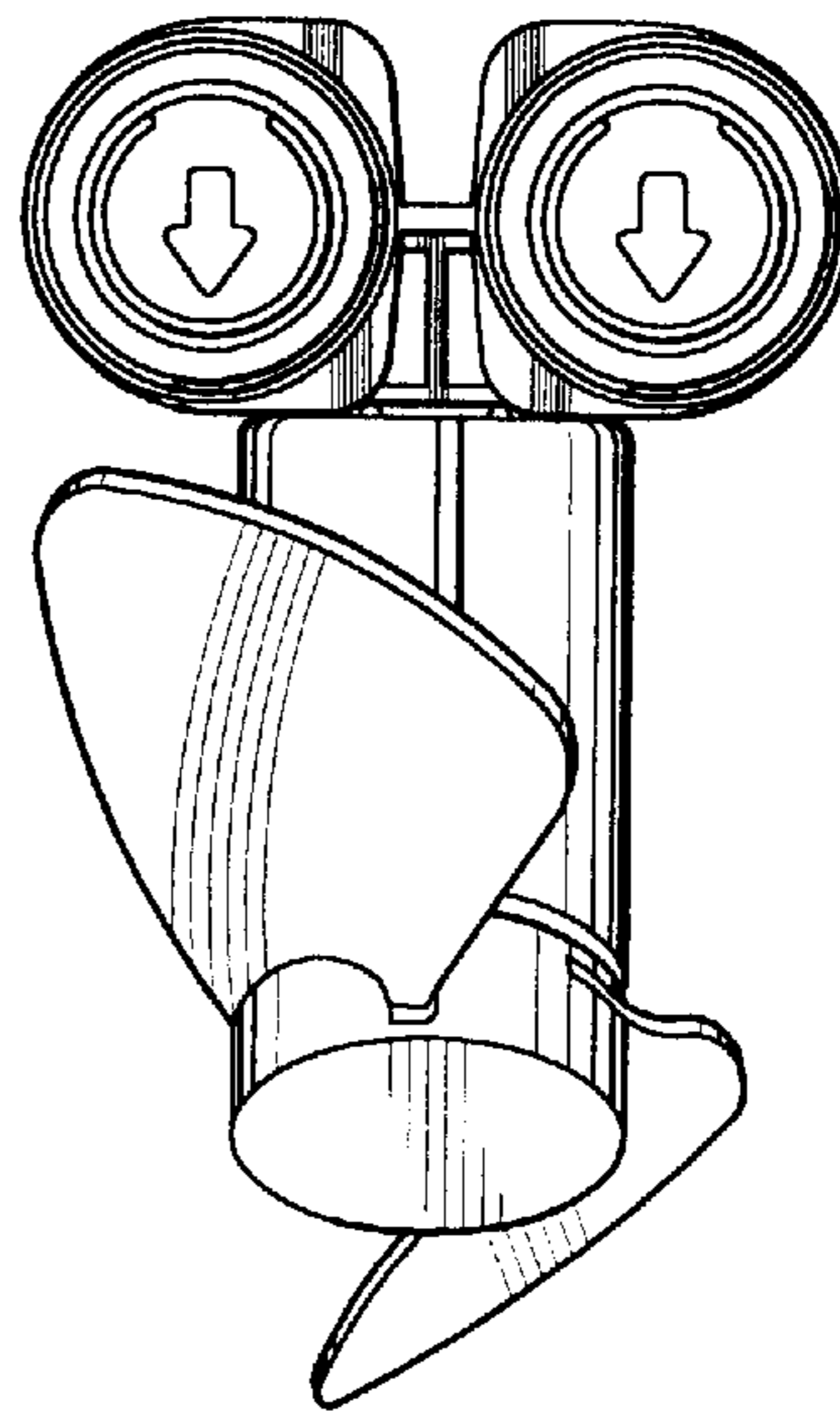


Fig-4

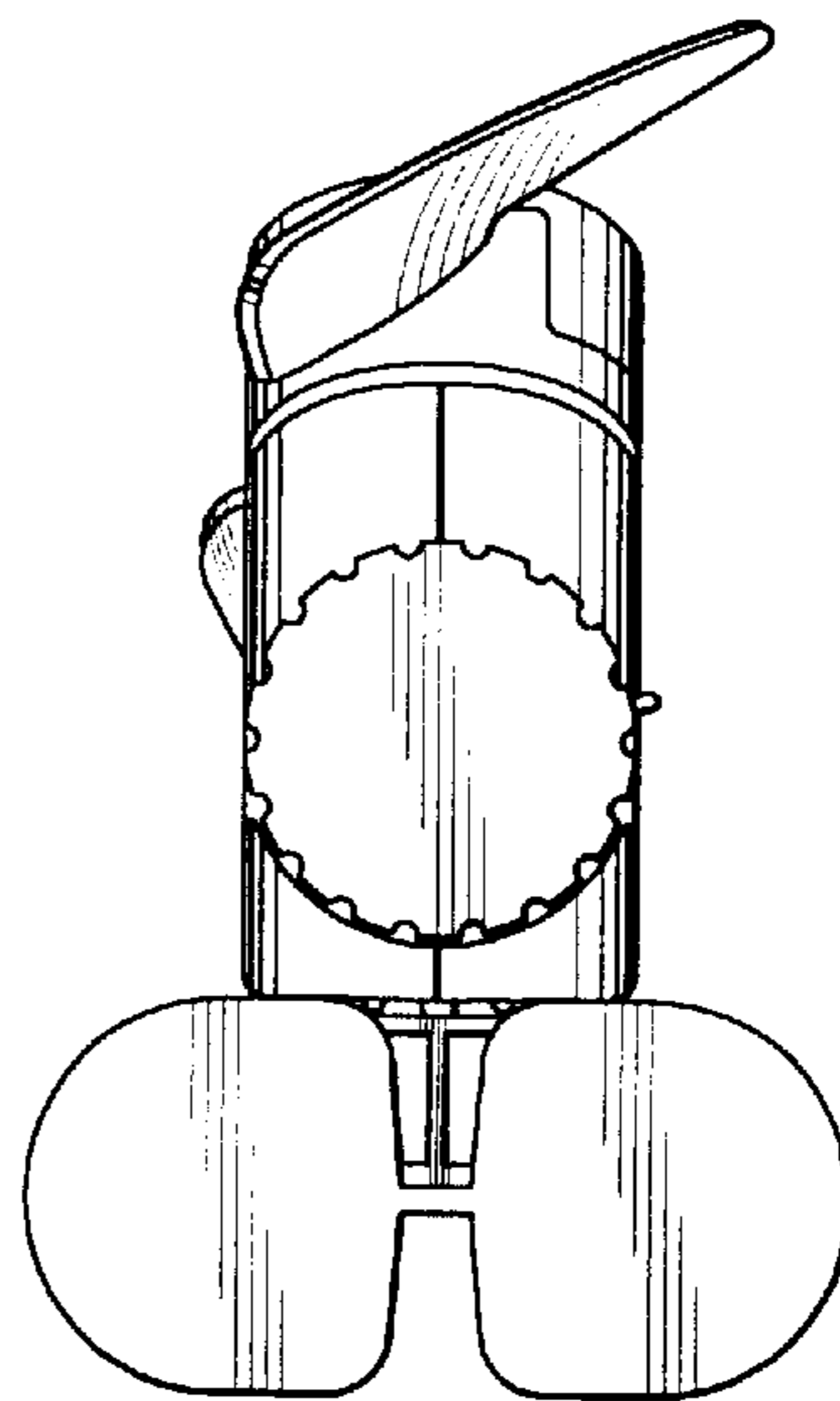


Fig-5

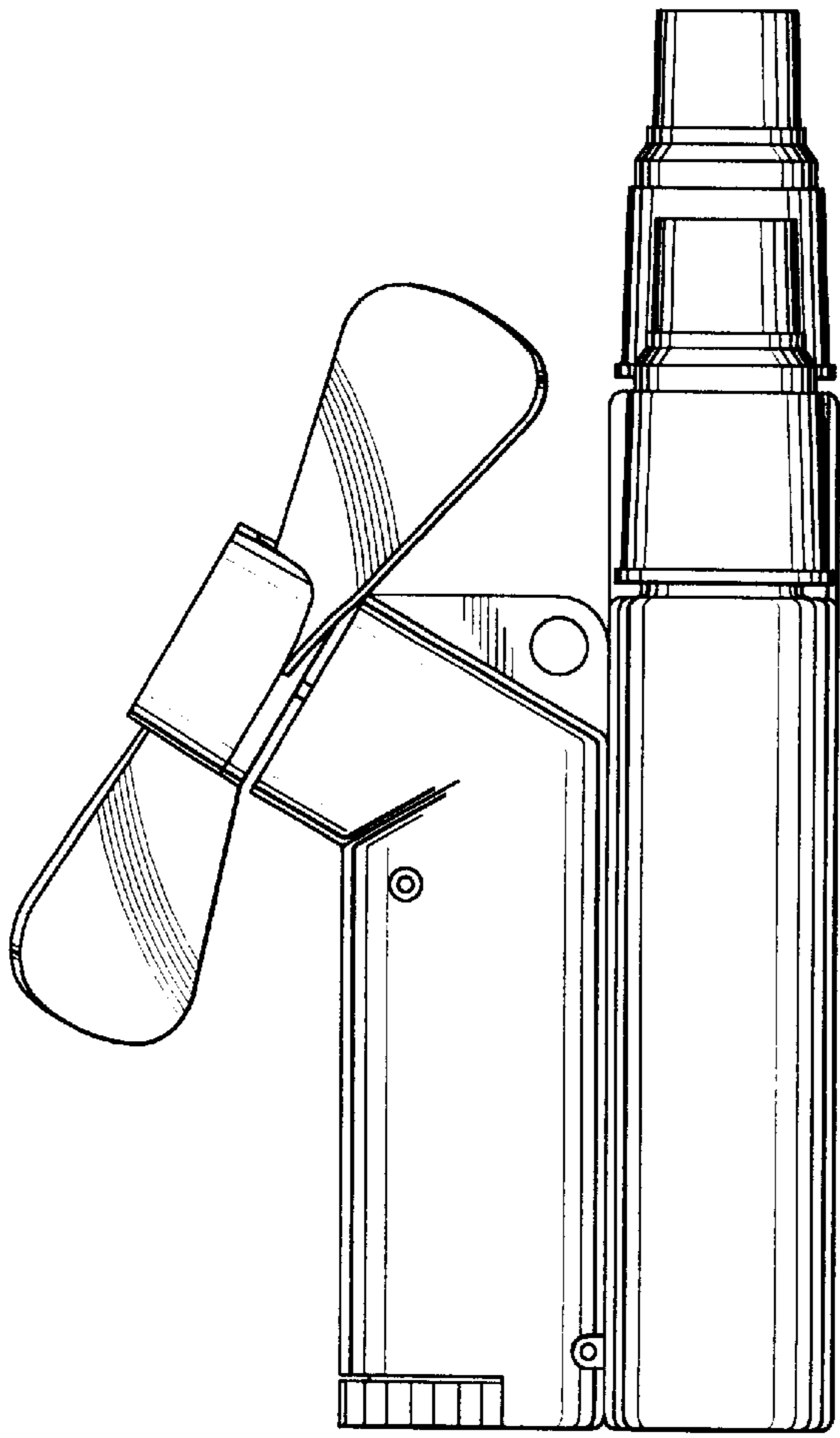


Fig-6

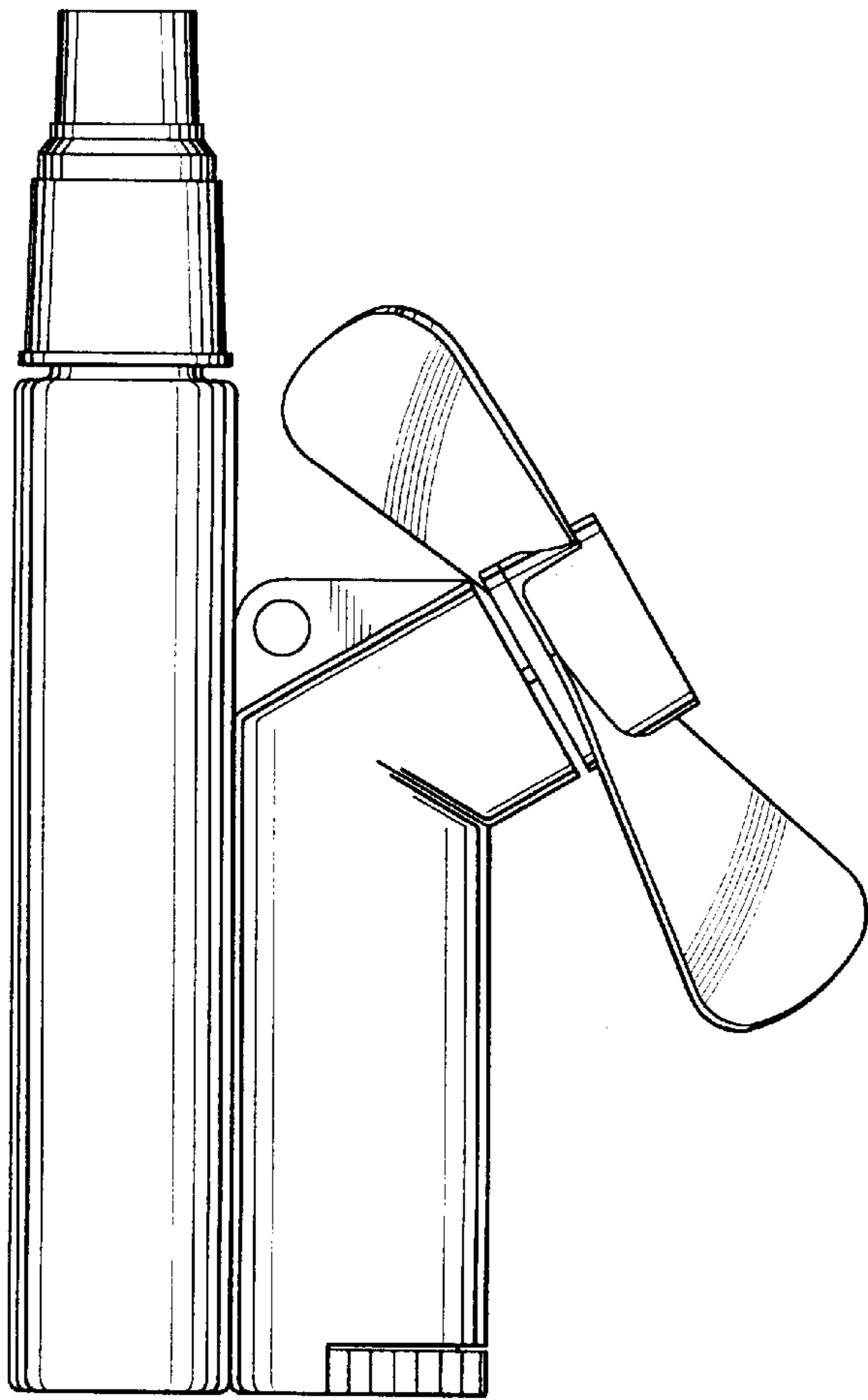


Fig-7

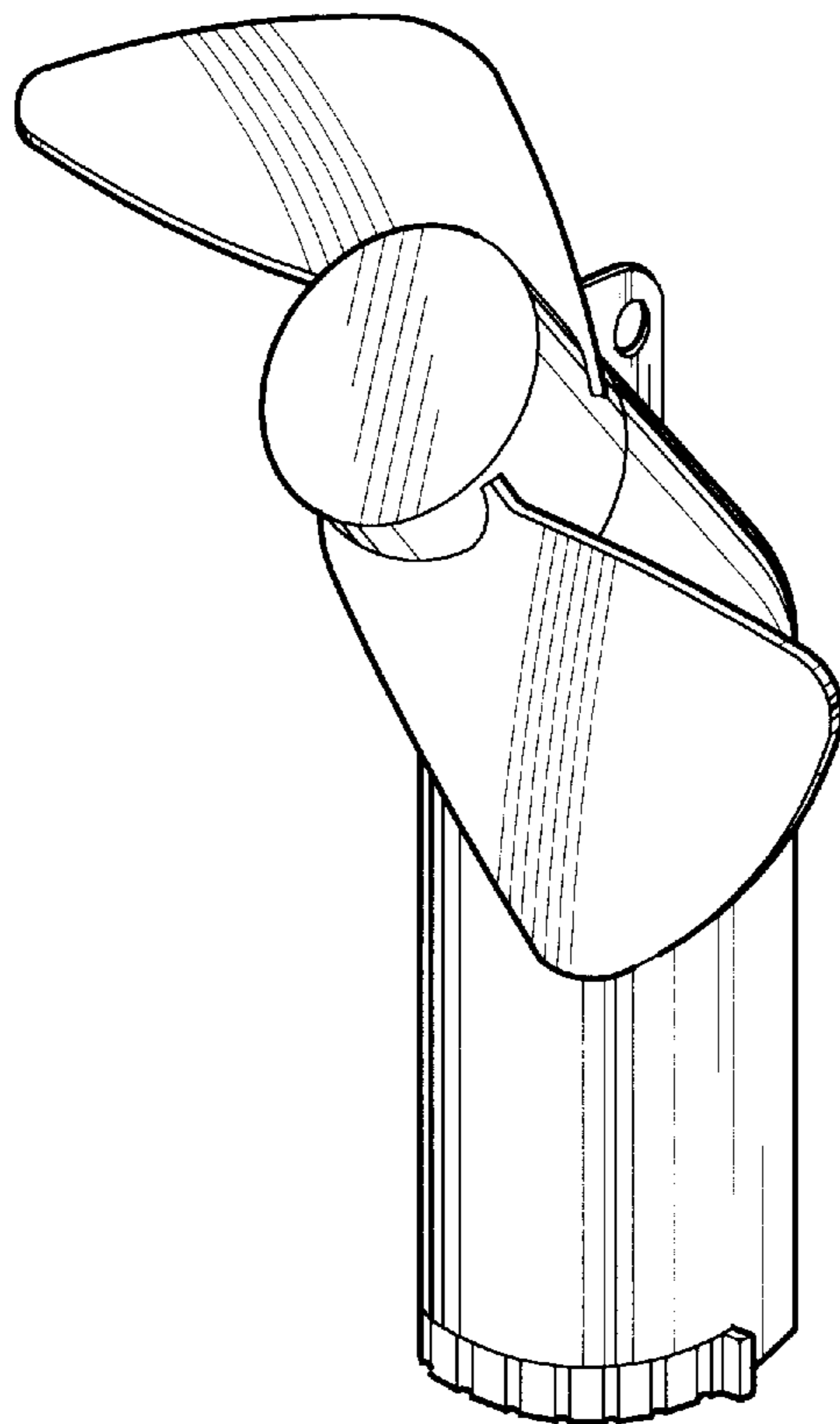


Fig-8