



US00D395699S

**United States Patent** [19]  
**Hundley**

[11] **Patent Number: Des. 395,699**

[45] **Date of Patent: \*\*Jun. 30, 1998**

[54] **SINK**

[75] Inventor: **Jill E. Hundley**, Sheboygan, Wis.

[73] Assignee: **Kohler Co.**, Kohler, Wis.

[\*\*] Term: **14 Years**

[21] Appl. No.: **68,748**

[22] Filed: **Mar. 1, 1997**

[51] **LOC (6) Cl.** ..... **23-02**

[52] **U.S. Cl.** ..... **D23/290**

[58] **Field of Search** ..... D23/284, 285,  
D23/290, 291, 292, 293.1; 4/619, 624,  
626, 638-650

[56] **References Cited**

**U.S. PATENT DOCUMENTS**

D. 323,878	2/1992	Sauter et al.	.....	D23/290
D. 324,908	3/1992	Sauter et al.	.....	D23/290
D. 328,339	7/1992	Sauter et al.	.....	D23/290
D. 351,221	10/1994	Berge et al.	.....	D23/290
D. 353,880	12/1994	Hauser, II	.....	D23/290
D. 353,881	12/1994	Roach	.....	D23/290

**OTHER PUBLICATIONS**

1995 UNR ad showing a double bowl kitchen sink.  
1995 Kohler ad, p. 160, showing a "Cantina" kitchen sink.

*Primary Examiner*—Louis S. Zarfes  
*Assistant Examiner*—Eric Watterson  
*Attorney, Agent, or Firm*—Quarles & Brady

[57] **CLAIM**

The ornamental design for a sink, as shown and described.

**DESCRIPTION**

FIG. 1 is a left, top, front perspective view of a sink embodying my new design;

FIG. 2 is a top plan view thereof;

FIG. 3 is a front elevational view thereof;

FIG. 4 is a rear elevational view thereof;

FIG. 5 is a right side elevational view thereof, the left side elevational view being a mirror image of the right side shown;

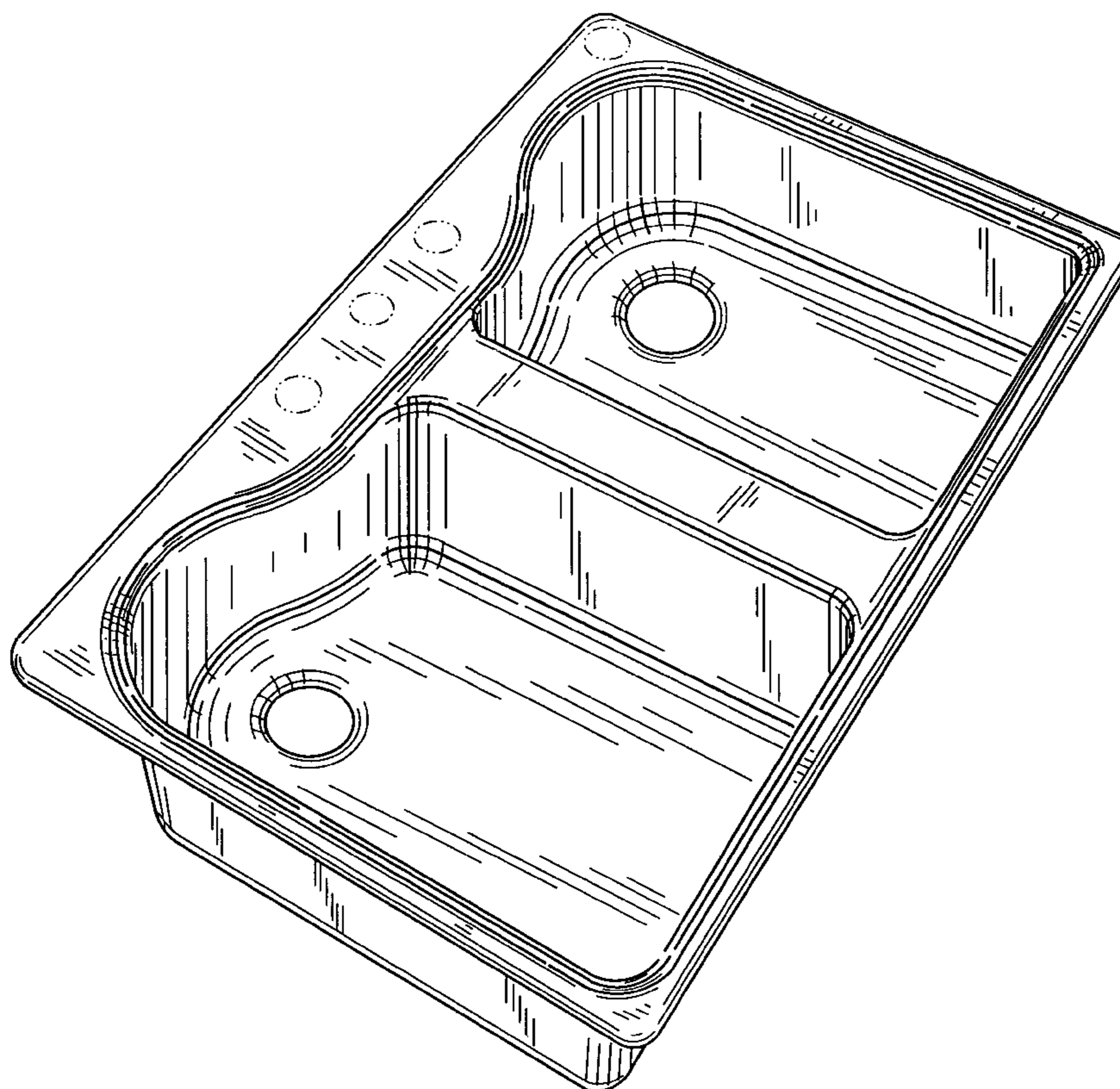
FIG. 6 is a cross-sectional view taken along line 6—6 of FIG. 2;

FIG. 7 is a cross-sectional view taken along line 7—7 of FIG. 2; and,

FIG. 8 is a cross-sectional view taken along line 8—8 of FIG. 2.

The broken line representations of holes in FIGS. 1 and 2 are for purposes of illustration only, and form no part of the claimed design.

**1 Claim, 5 Drawing Sheets**



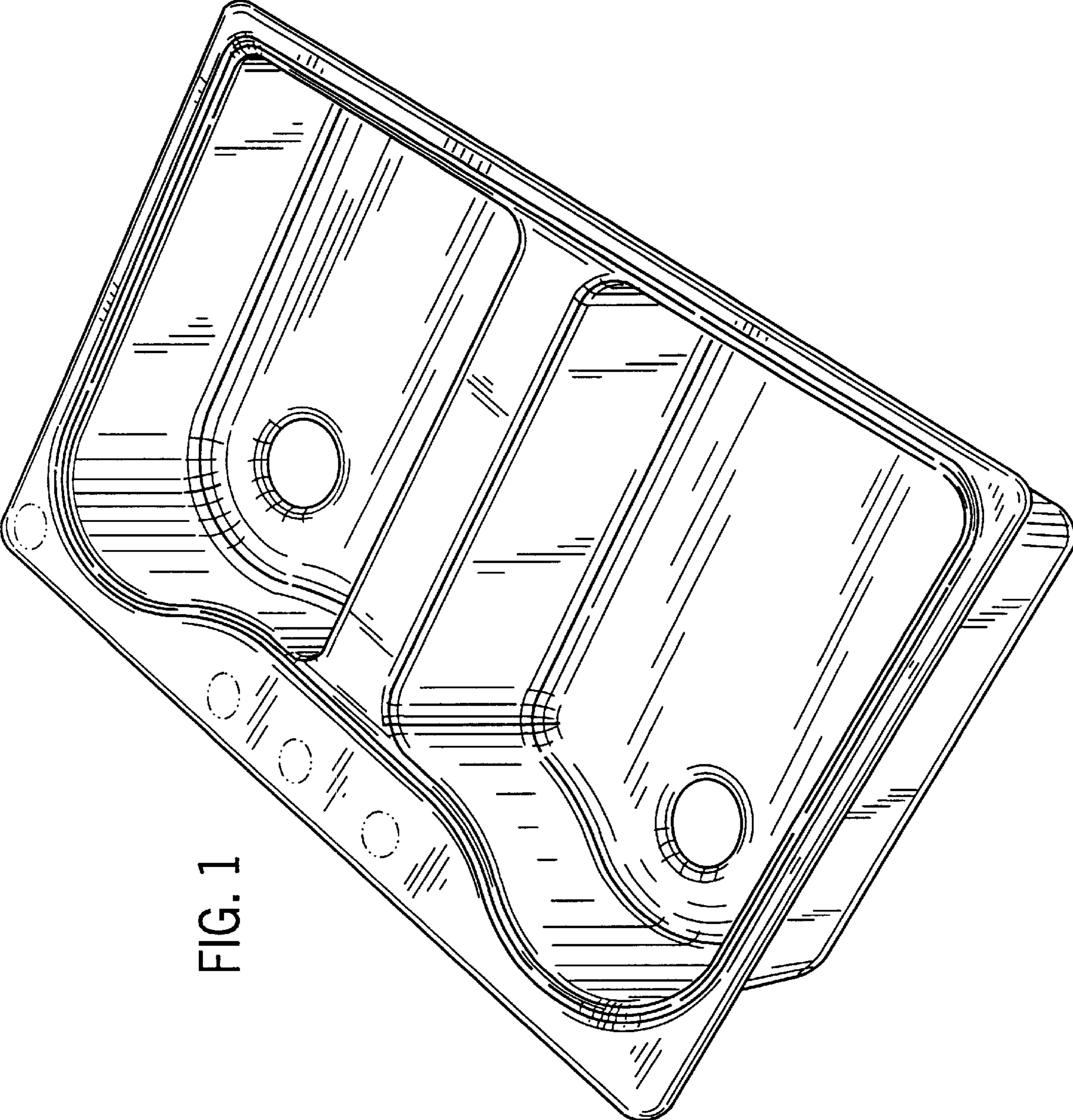


FIG. 1

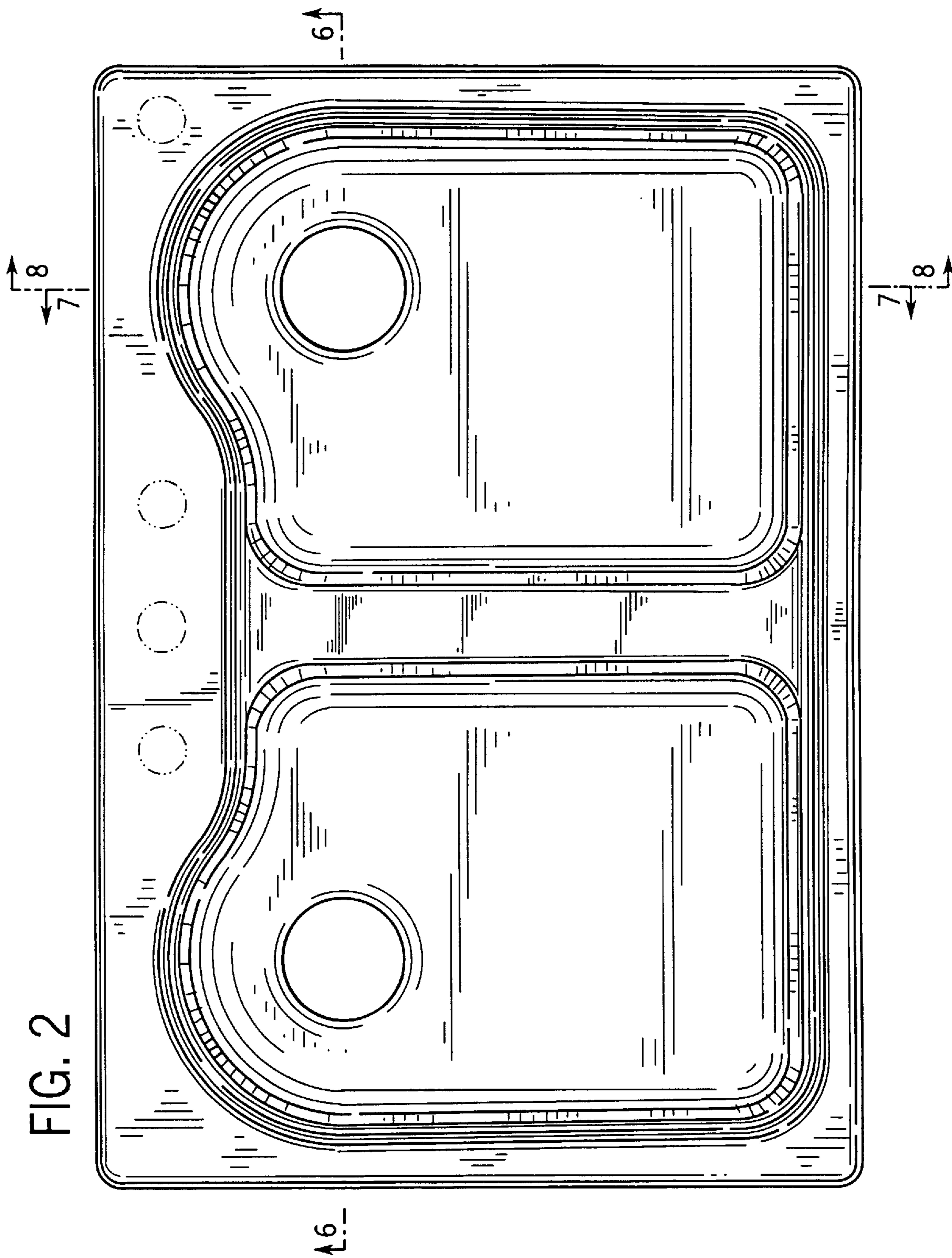


FIG. 3

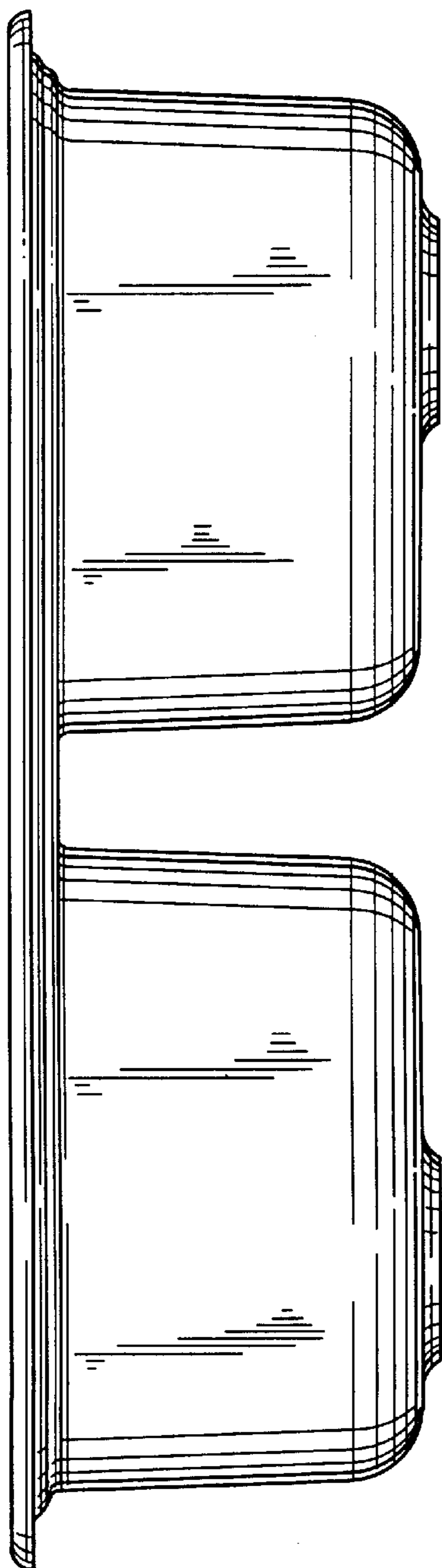


FIG. 4

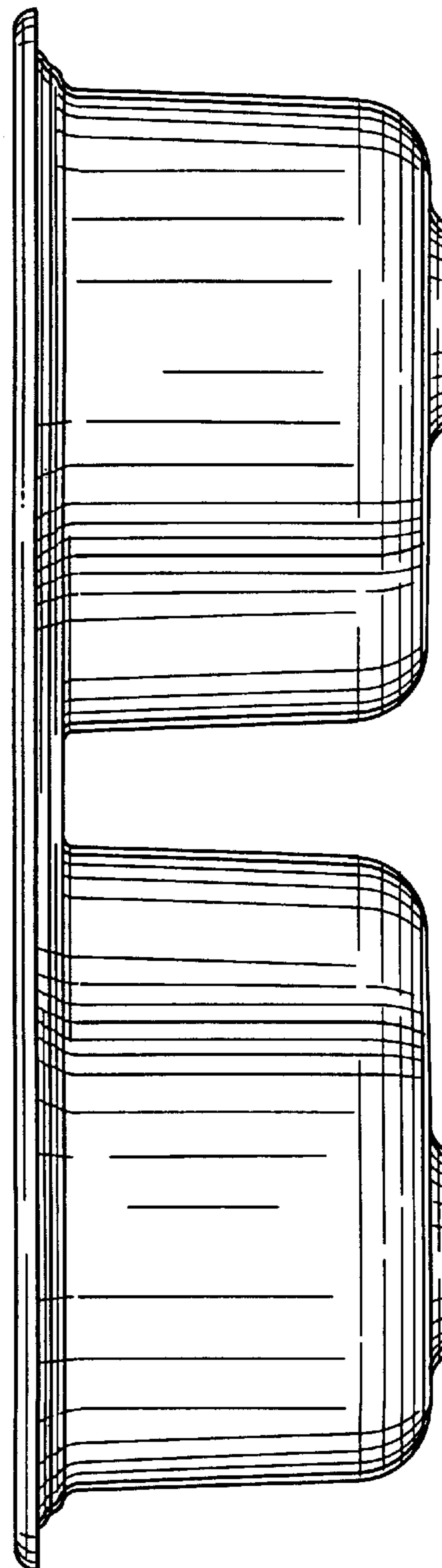


FIG. 5

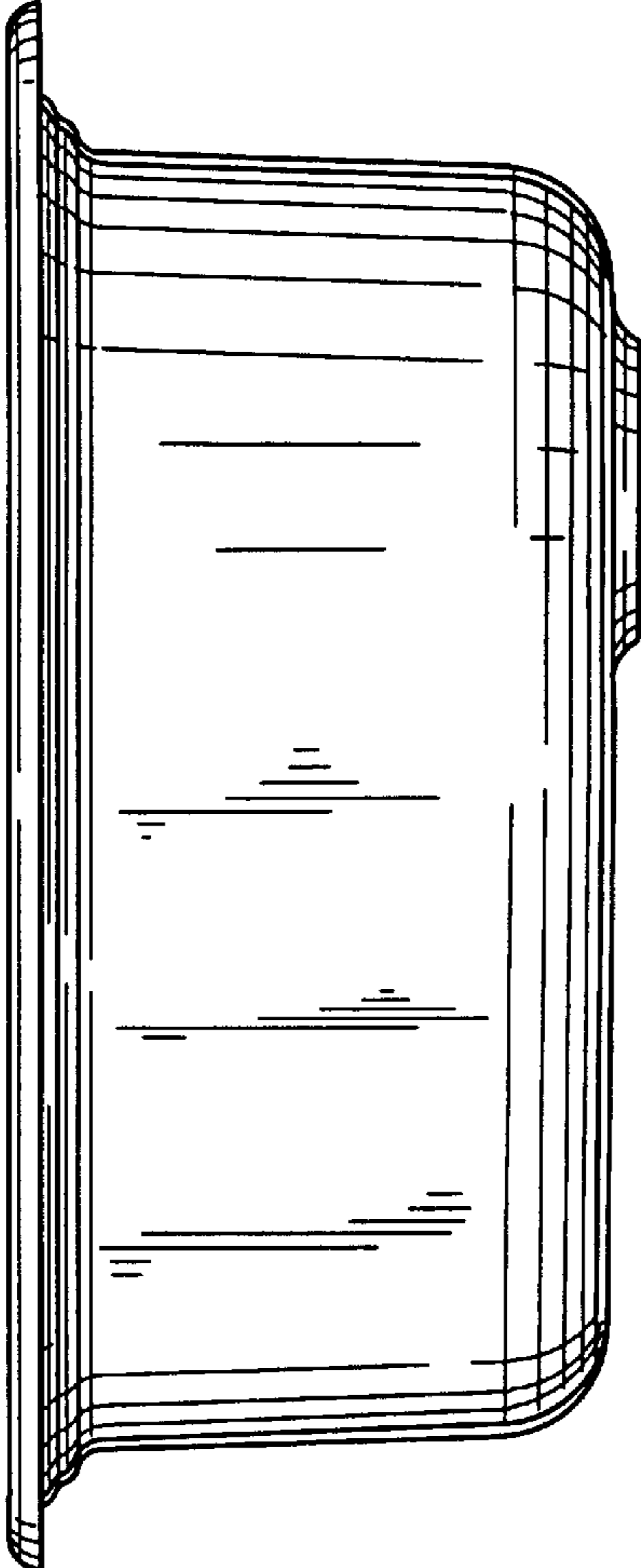


FIG. 6

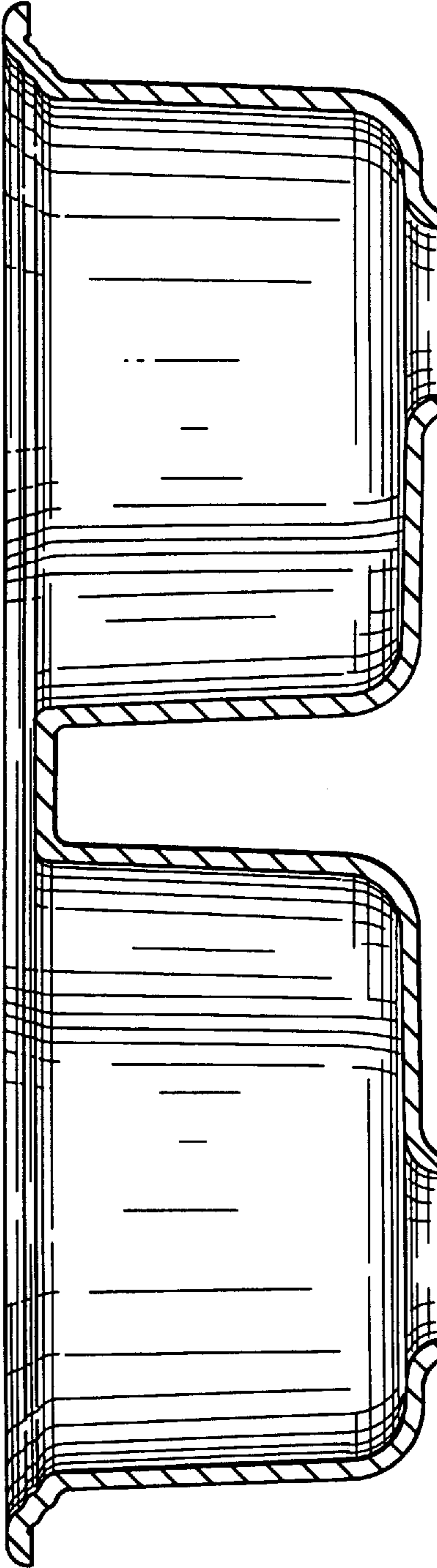


FIG. 7

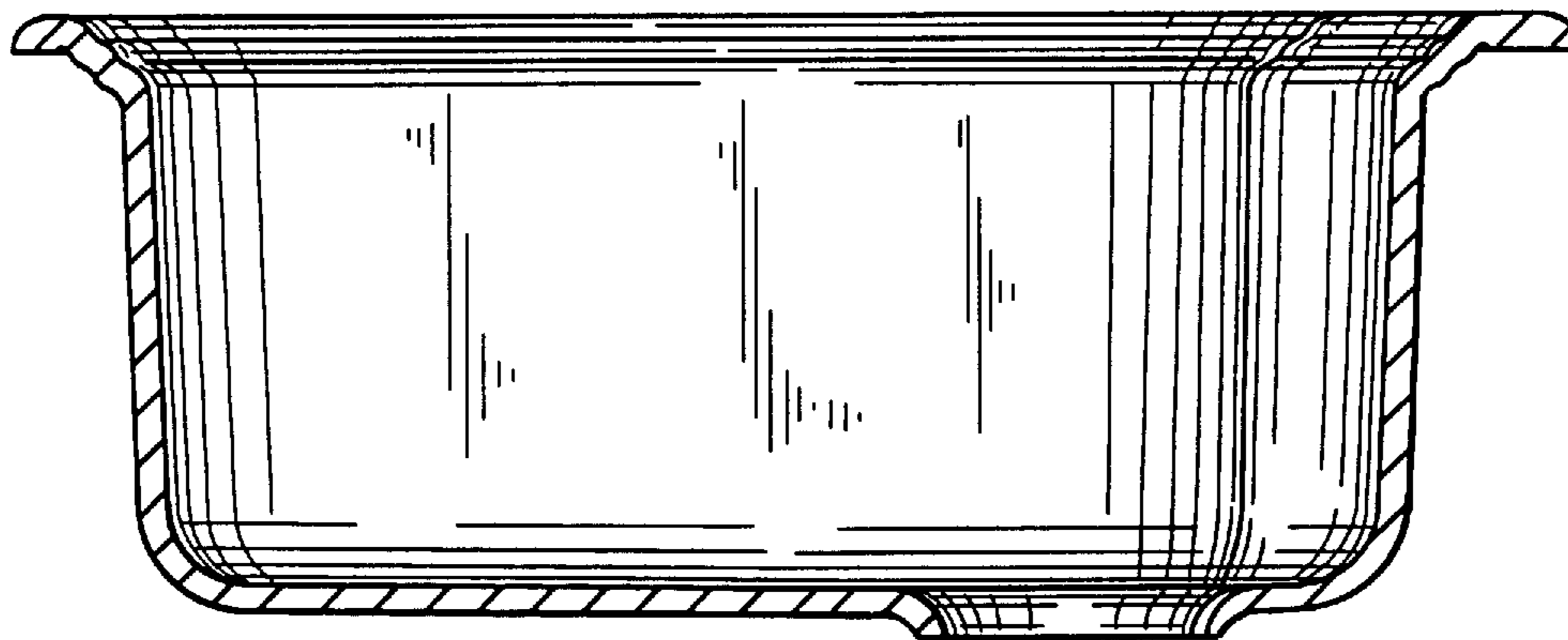


FIG. 8

