



US00D395692S

United States Patent [19]

Butler

[11] **Patent Number: Des. 395,692**

[45] **Date of Patent: **Jun. 30, 1998**

[54] **GOLF CLUB PUTTER HEAD**

[76] Inventor: **Byron Butler**, 2 Siega, Rancho Santa Margarita, Calif. 92688

[**] Term: **14 Years**

[21] Appl. No.: **64,036**

[22] Filed: **Dec. 20, 1996**

[51] **LOC (6) Cl. 21-02**

[52] **U.S. Cl. D21/219**

[58] **Field of Search D21/217-219; 473/251-256, 340, 341**

D. 317,035 5/1991 Pelz D21/219
D. 317,490 6/1991 Pelz D21/219
D. 354,535 1/1995 Queen D21/219

Primary Examiner—Ted Shooman
Assistant Examiner—Mitchell I. Siegel
Attorney, Agent, or Firm—Leonard Tachner

[57] **CLAIM**

The ornamental design for “golf club putter head”, as shown and described.

DESCRIPTION

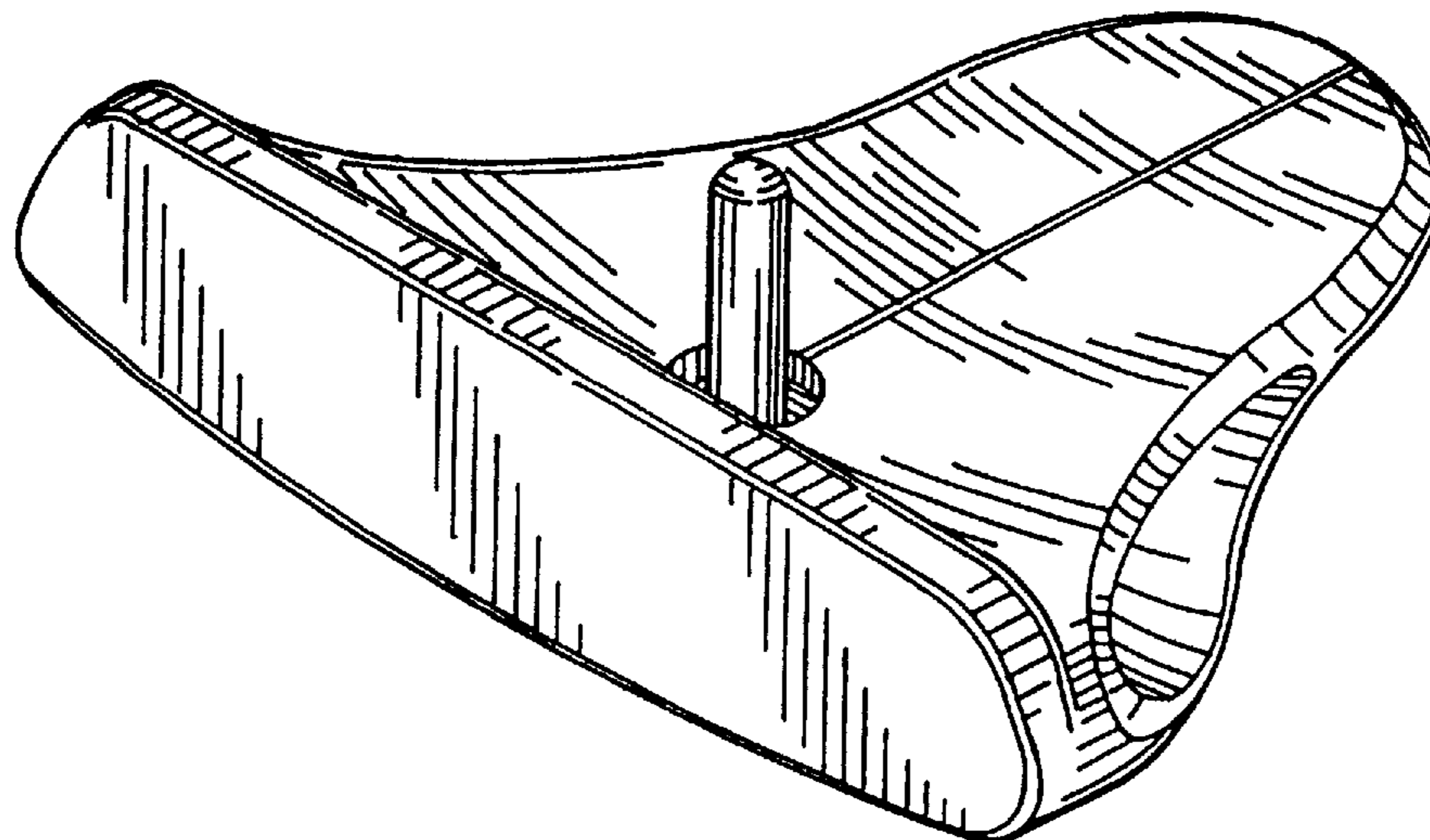
FIG. 1 is a three-dimensional view of the golf club putter head of the invention;
FIG. 2 is a top view of the invention;
FIG. 3 is a left side view, the right side view being identical thereto of the invention;
FIG. 4 is a bottom view thereof;
FIG. 5 is a front view thereof; and,
FIG. 6 is a rear view thereof.

[56] **References Cited**

U.S. PATENT DOCUMENTS

D. 229,204 11/1973 Romero D21/219 X
D. 230,292 2/1974 Gall D21/219
D. 230,293 2/1974 Gall D21/219
D. 230,294 2/1974 Gall D21/219
D. 251,310 3/1979 Paulin D21/219
D. 308,995 7/1990 Colucci D21/219

1 Claim, 2 Drawing Sheets



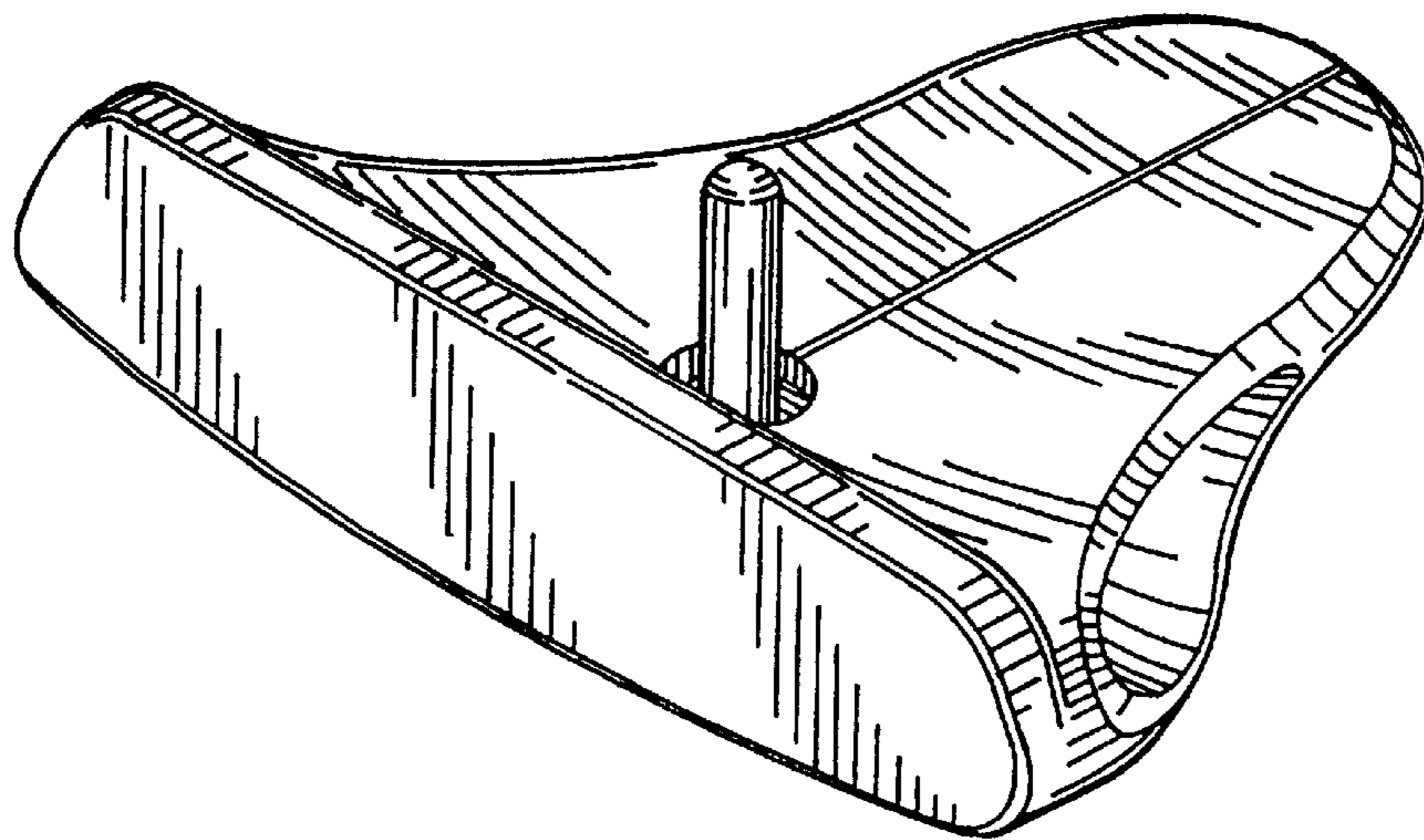


FIG. 1

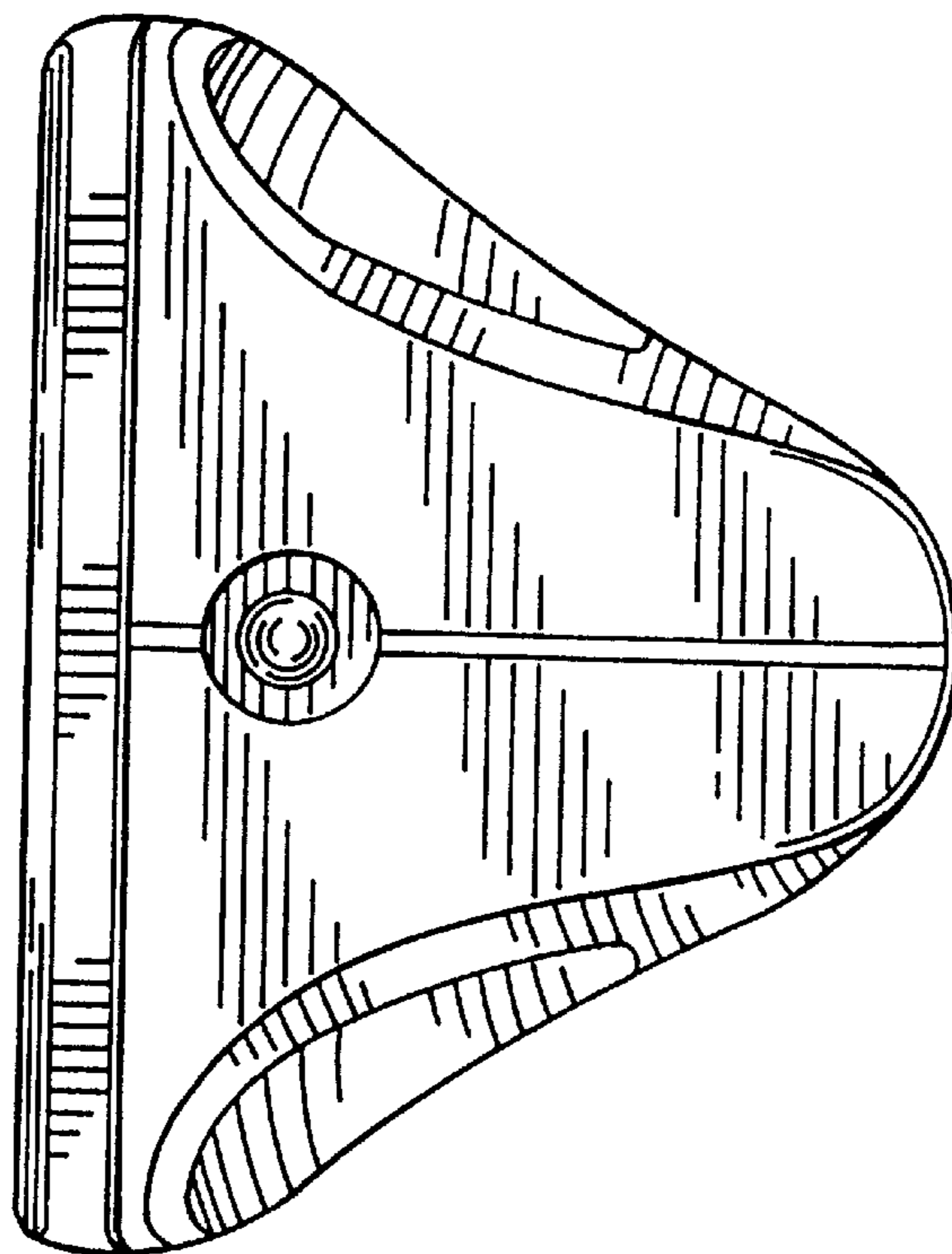


FIG. 2

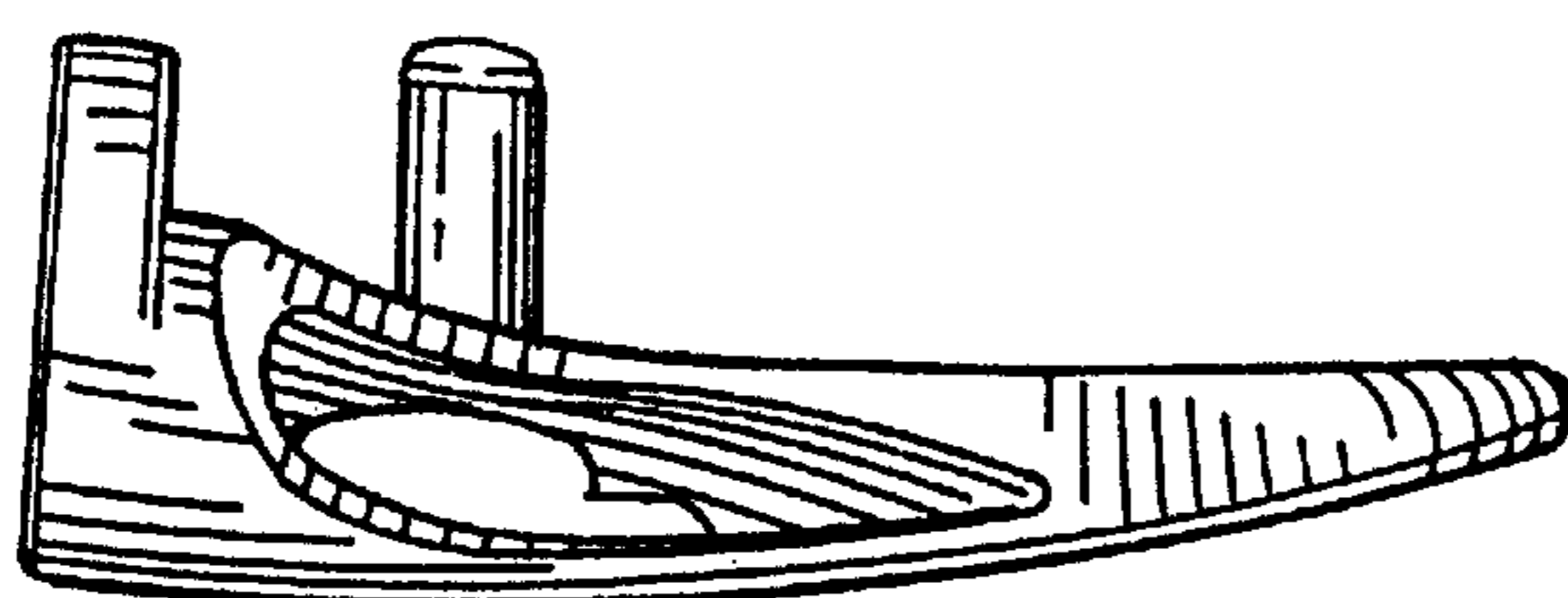


FIG. 3

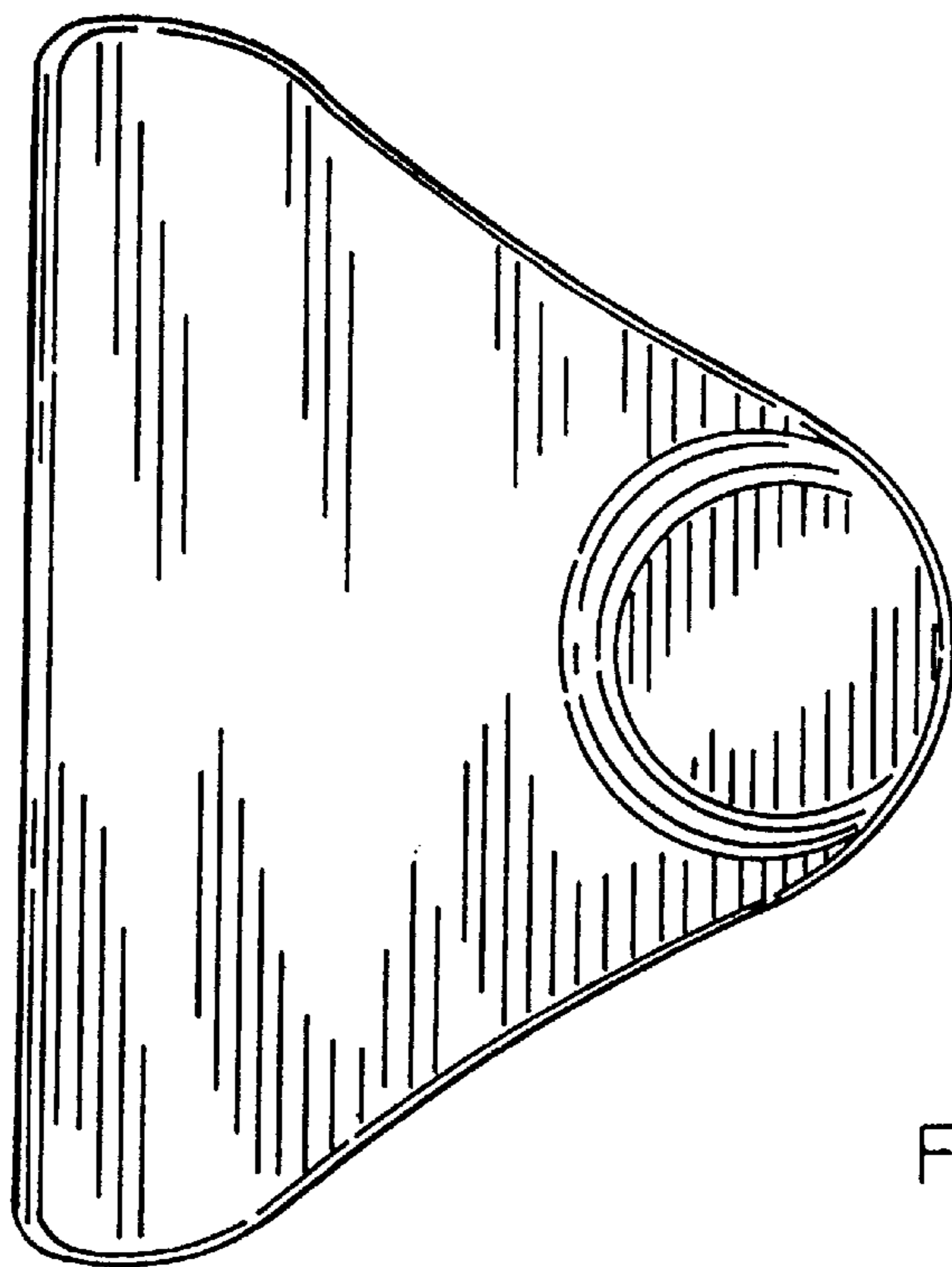


FIG. 4

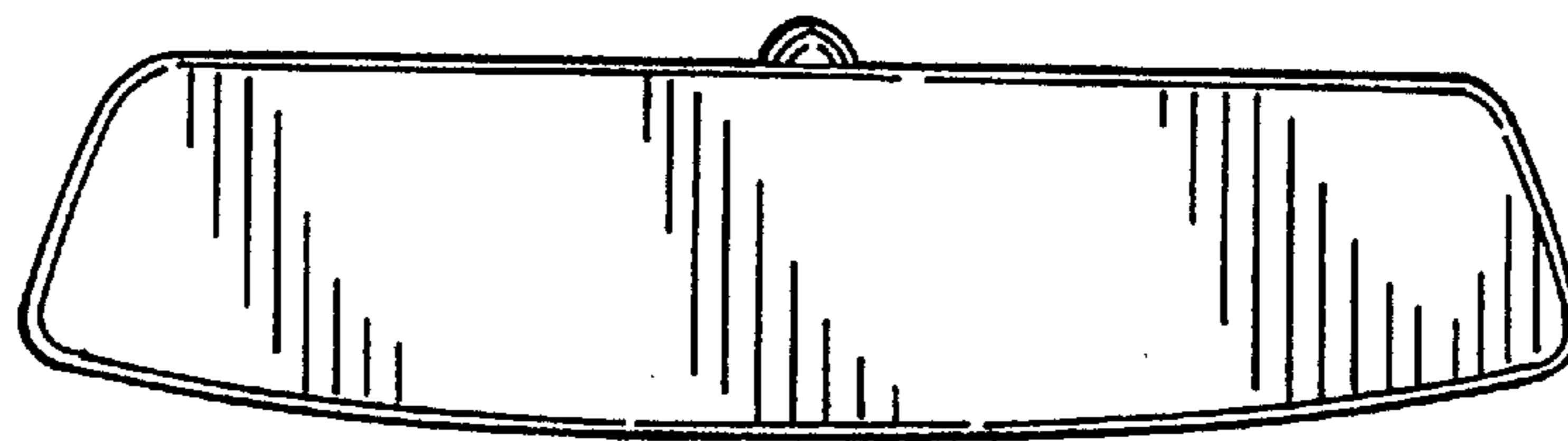


FIG. 5

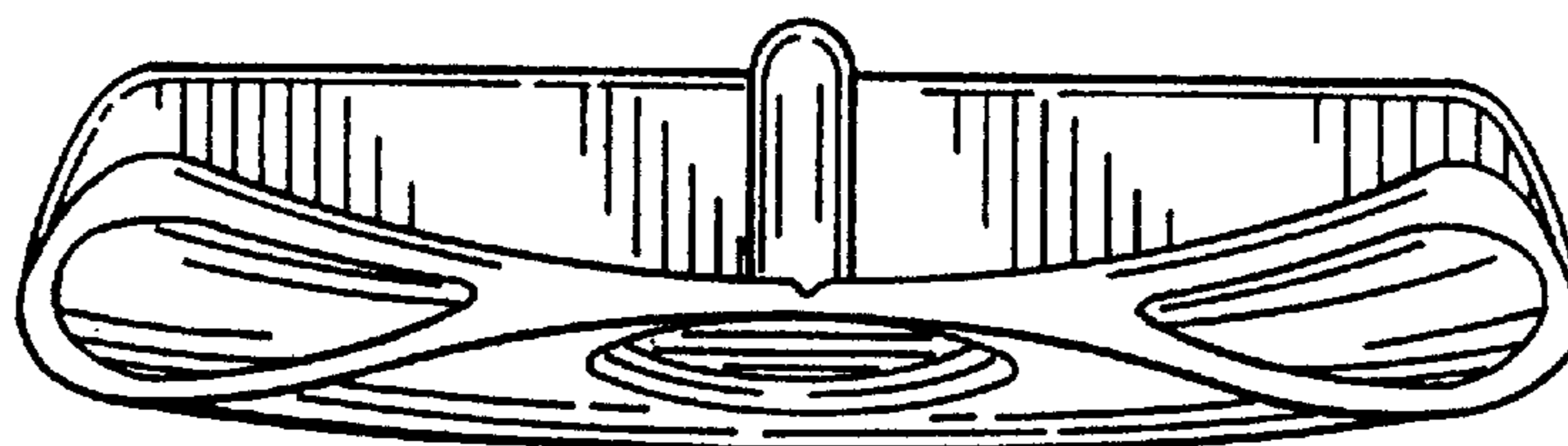


FIG. 6