



US00D395685S

United States Patent [19]

Cayne et al.

[11] Patent Number: **Des. 395,685**

[45] Date of Patent: ****Jun. 30, 1998**

[54] **ABDOMINAL EXERCISE APPARATUS**

5,141,482	8/1992	Hern	482/140
5,195,938	3/1993	Robertson	482/140
5,626,549	5/1997	Olshansky et al.	482/140

[75] Inventors: **Jaeson D. Cayne**, Carlsbad; **Jonathan Oswaks**, Westlake Village; **Mingjen S. Huang**, Arcadia; **Jean Pierre Durrand**, Los Angeles, all of Calif.

Primary Examiner—Philip S. Hyder
Attorney, Agent, or Firm—Christie, Parker & Hale, LLP

[73] Assignee: **Martin A. Van Der Hoeven**, Del Mar, Calif.

[57] **CLAIM**

The ornamental design for abdominal exercise apparatus, as shown and described.

[**] Term: **14 Years**

DESCRIPTION

[21] Appl. No.: **66,500**

FIG. 1 is a perspective view of the exercise apparatus showing the new design;
 FIG. 2 is a top elevational view of the embodiment of FIG. 1;
 FIG. 3 is a right side elevational view of the embodiment of FIG. 1;
 FIG. 4 is a left side elevational view of the embodiment of FIG. 1;
 FIG. 5 is a front elevational view of the embodiment of FIG. 1;
 FIG. 6 is a back elevational view of the embodiment of FIG. 1; and,
 FIG. 7 is a bottom elevational view of the embodiment of FIG. 1.

[22] Filed: **Feb. 13, 1997**

[51] **LOC (6) Cl.** **21-02**

[52] **U.S. Cl.** **D21/191**

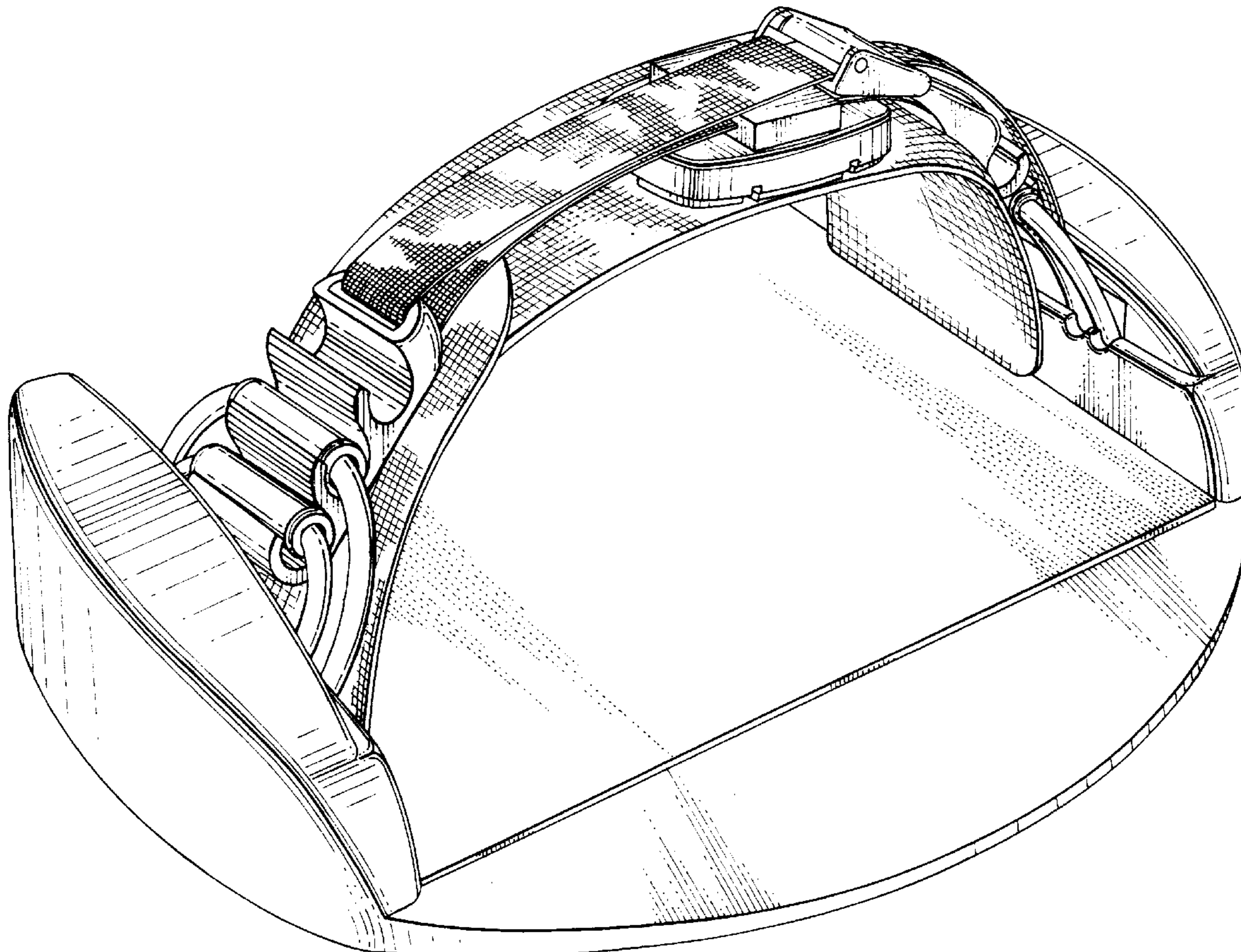
[58] **Field of Search** D21/191, 195,
D21/198; 482/140

[56] **References Cited**

U.S. PATENT DOCUMENTS

D. 321,386	11/1991	Reichman	D21/191
D. 331,270	11/1992	Johnson et al.	D21/191
D. 350,171	8/1994	Kunesalder et al.	D21/191
D. 357,040	4/1995	Madrid	D21/191
5,120,052	6/1992	Evans	482/140

1 Claim, 5 Drawing Sheets



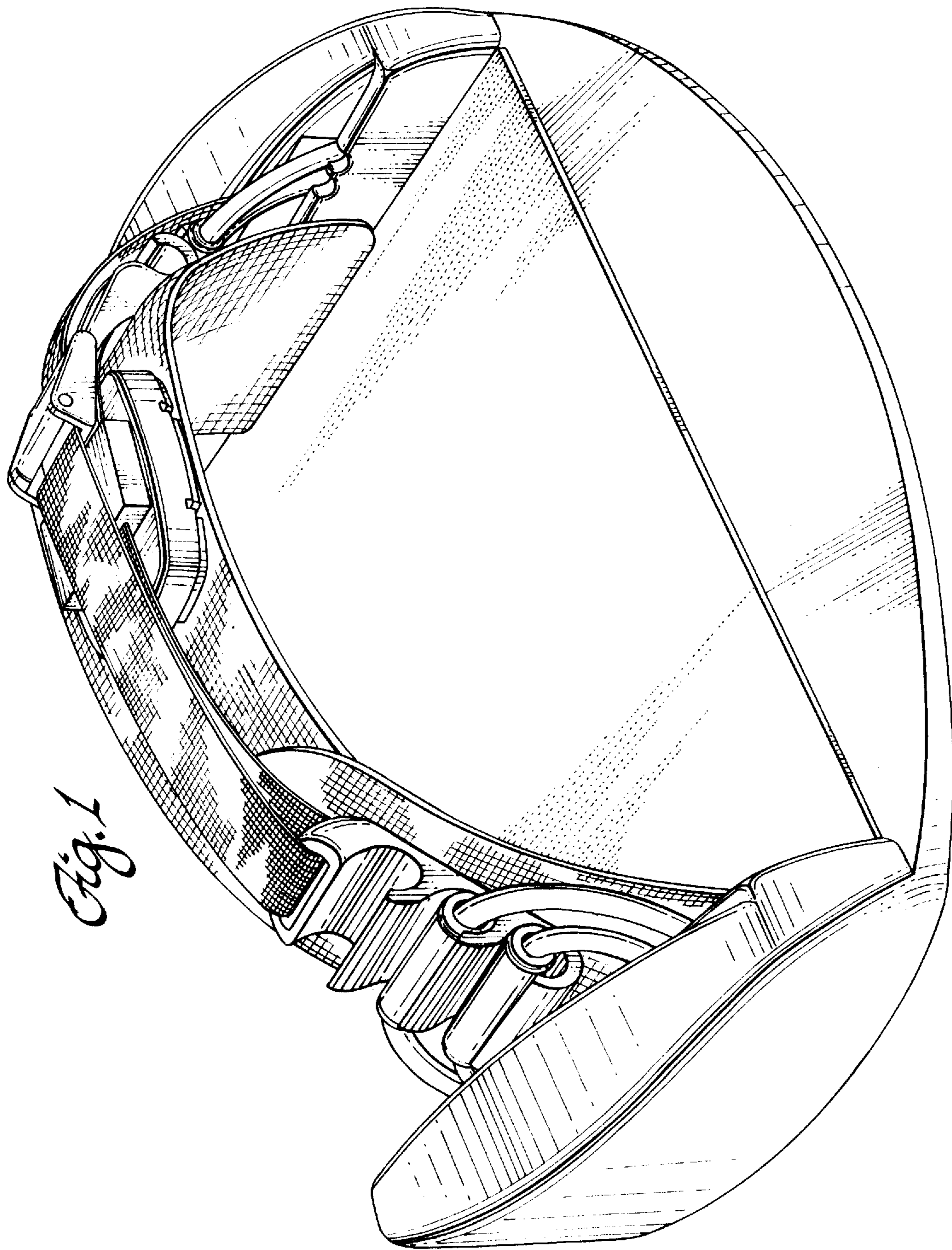


Fig. 1

FIG. 2

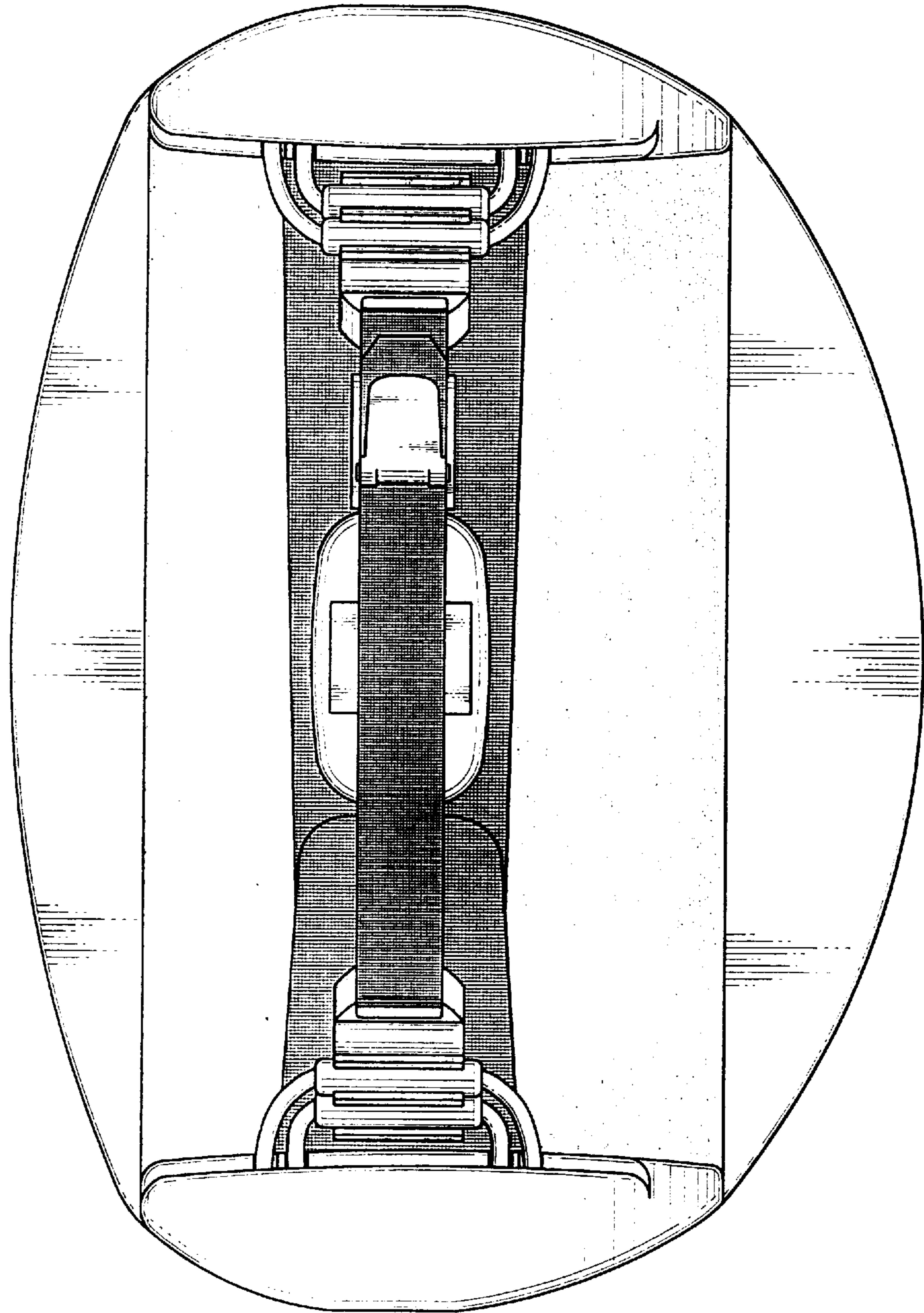


FIG. 3

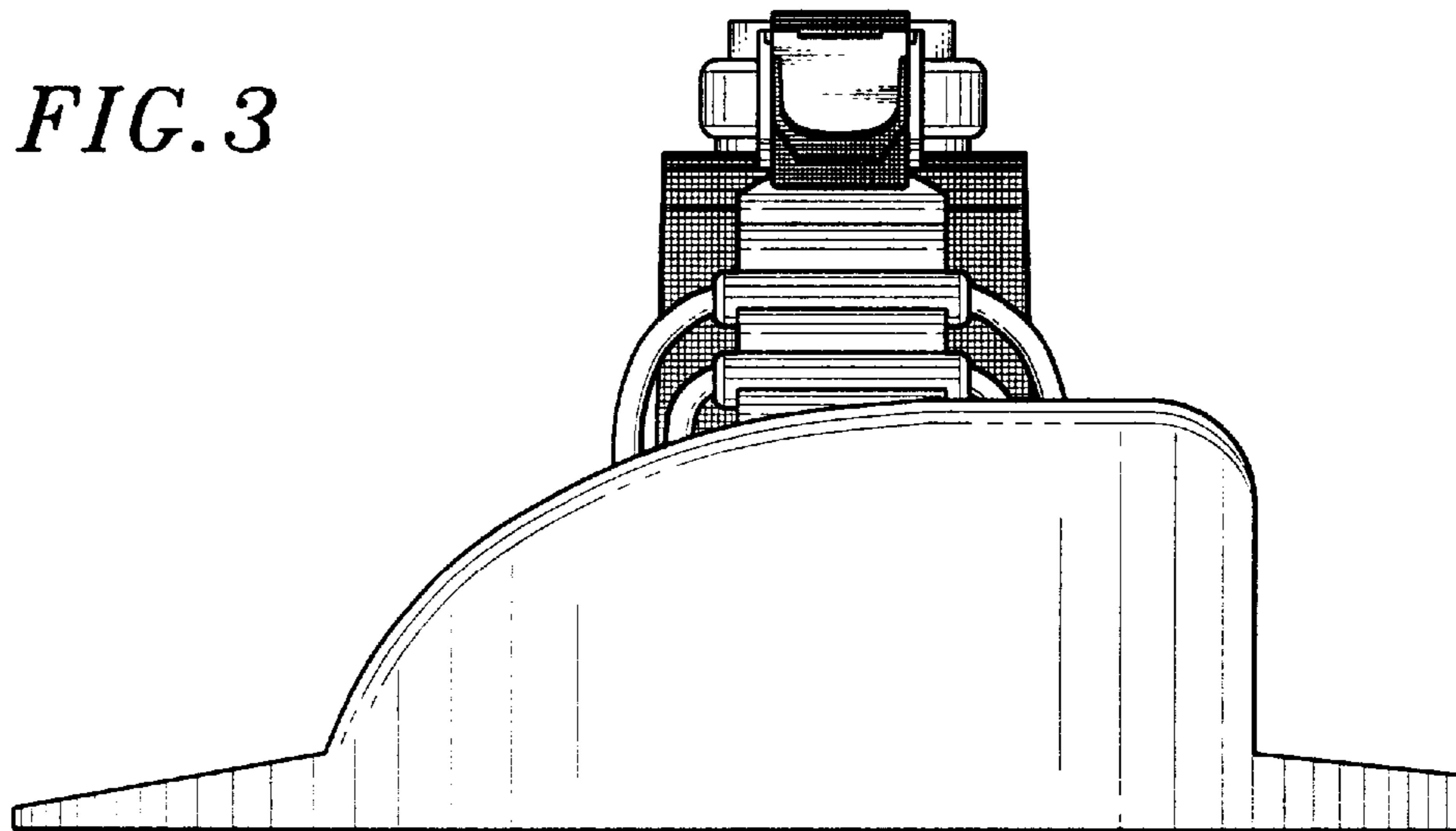


FIG. 4

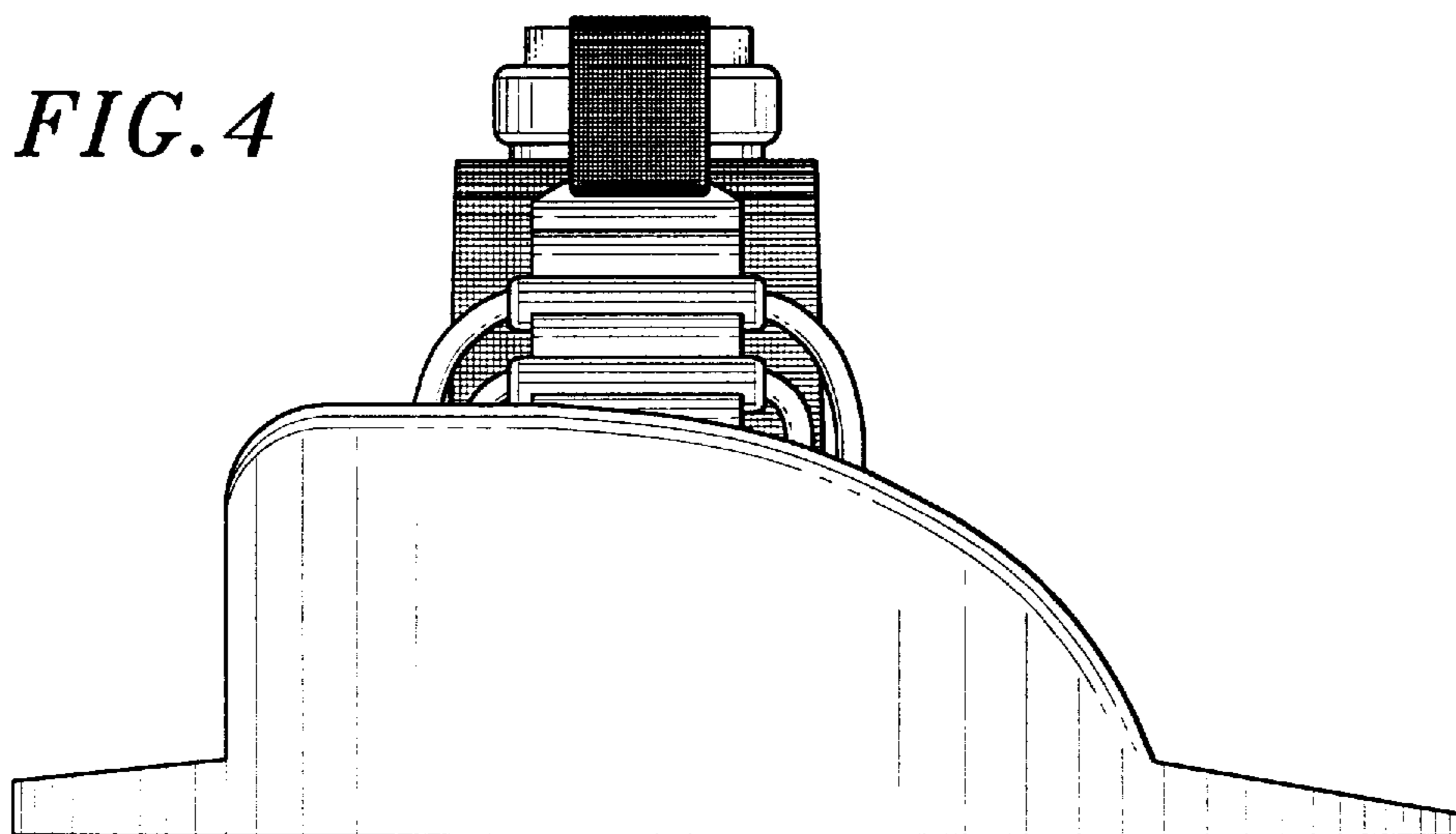


FIG. 5

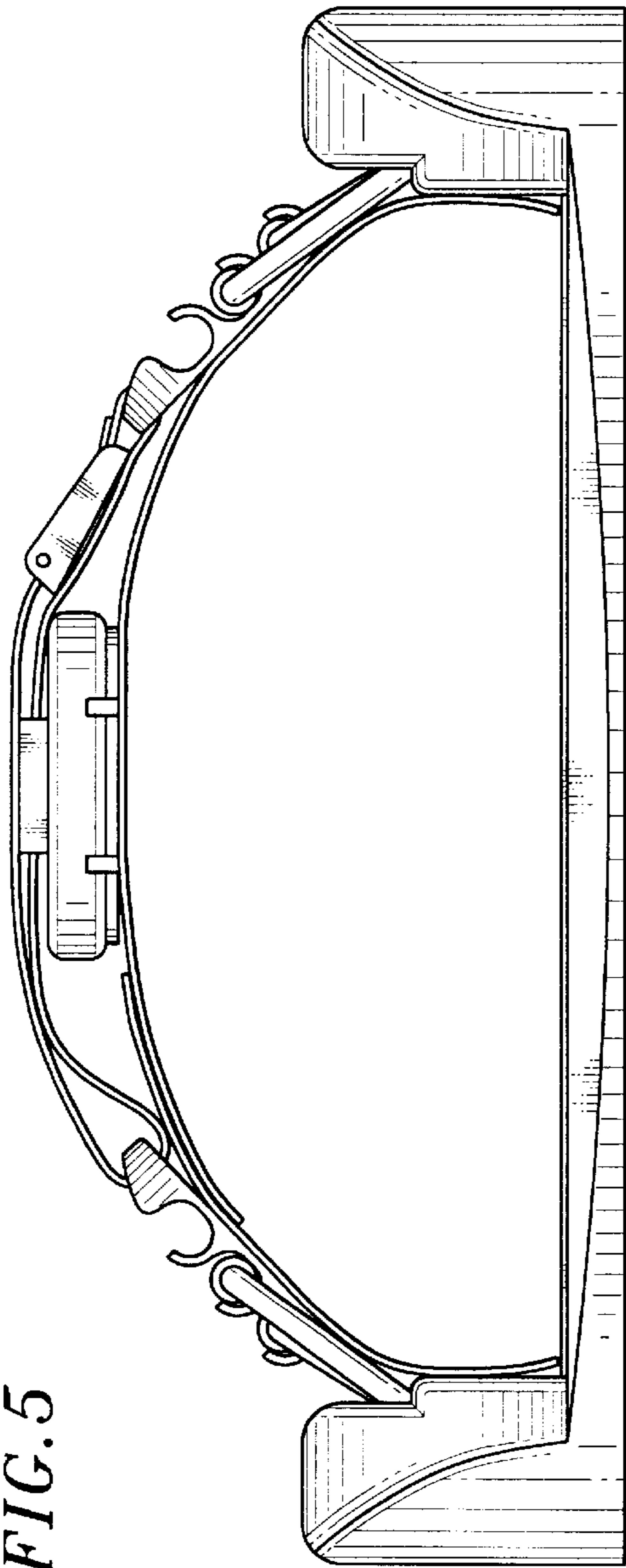


FIG. 6

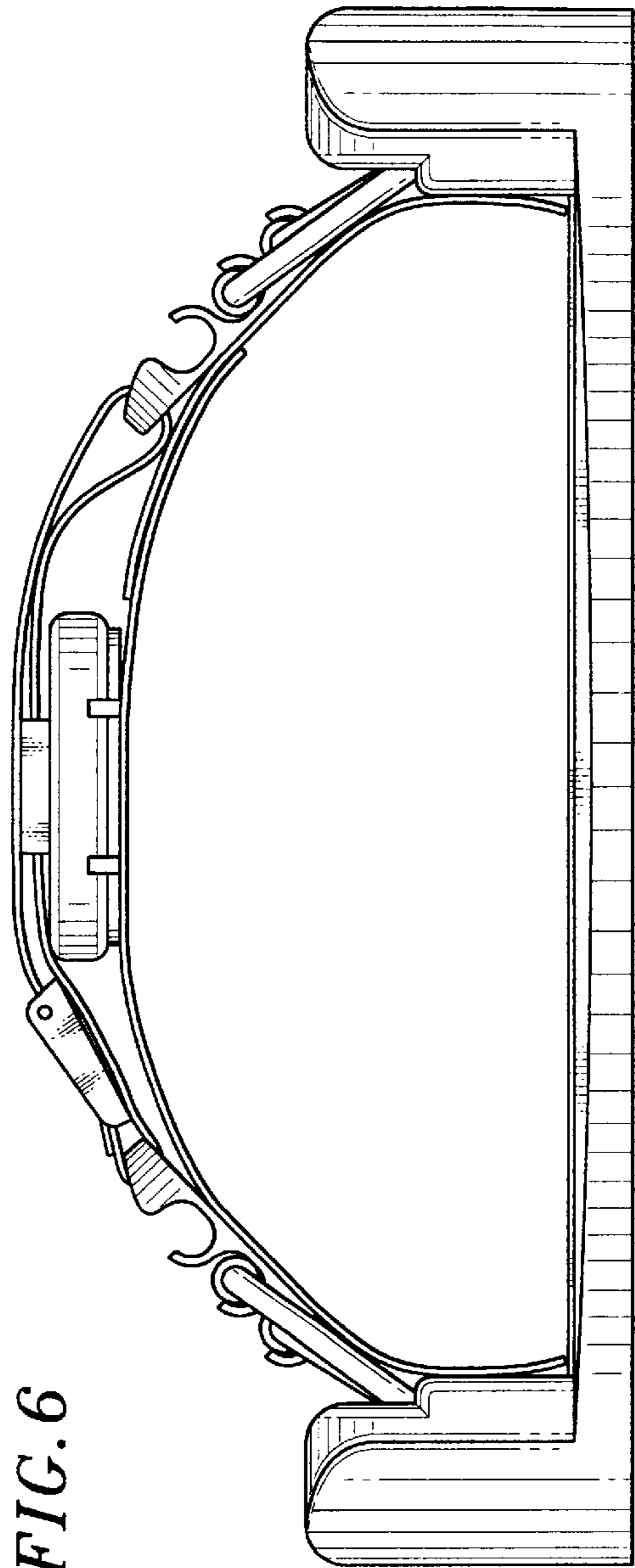


FIG. 7

