



US00D395684S

# United States Patent [19]

Olschansky et al.

[11] Patent Number: **Des. 395,684**

[45] Date of Patent: **\*\*Jun. 30, 1998**

[54] **ROLL EXERCISE DEVICE**

[76] Inventors: **Brad Olschansky; Scott Olschansky,**  
both of 2003 Lake Park Dr. Apt. H,  
Smyrna, Ga. 30080

[\*\*] Term: **14 Years**

[21] Appl. No.: **64,963**

[22] Filed: **Jan. 16, 1997**

[51] **LOC (6) Cl.** ..... **21-02**

[52] **U.S. Cl.** ..... **D21/191**

[58] **Field of Search** ..... D21/191, 195;  
482/140, 141, 142, 132

[56] **References Cited**

**U.S. PATENT DOCUMENTS**

5,492,520	2/1996	Brown	.....	482/140
5,577,987	11/1996	Brown	.....	482/140
5,630,778	5/1997	Barreca	.....	482/140

*Primary Examiner*—Philip S. Hyder  
*Attorney, Agent, or Firm*—Morton J. Rosenberg; David I. Klein; Jun Y. Lee

[57] **CLAIM**

The ornamental design for a roll exercise device, as shown and described.

**DESCRIPTION**

FIG. 1 is a perspective view of a roll exercise device showing our new design, the broken line showing of the person is for illustrative purposes only and forms no part of the claimed design;

FIG. 2 is a side elevational view thereof;

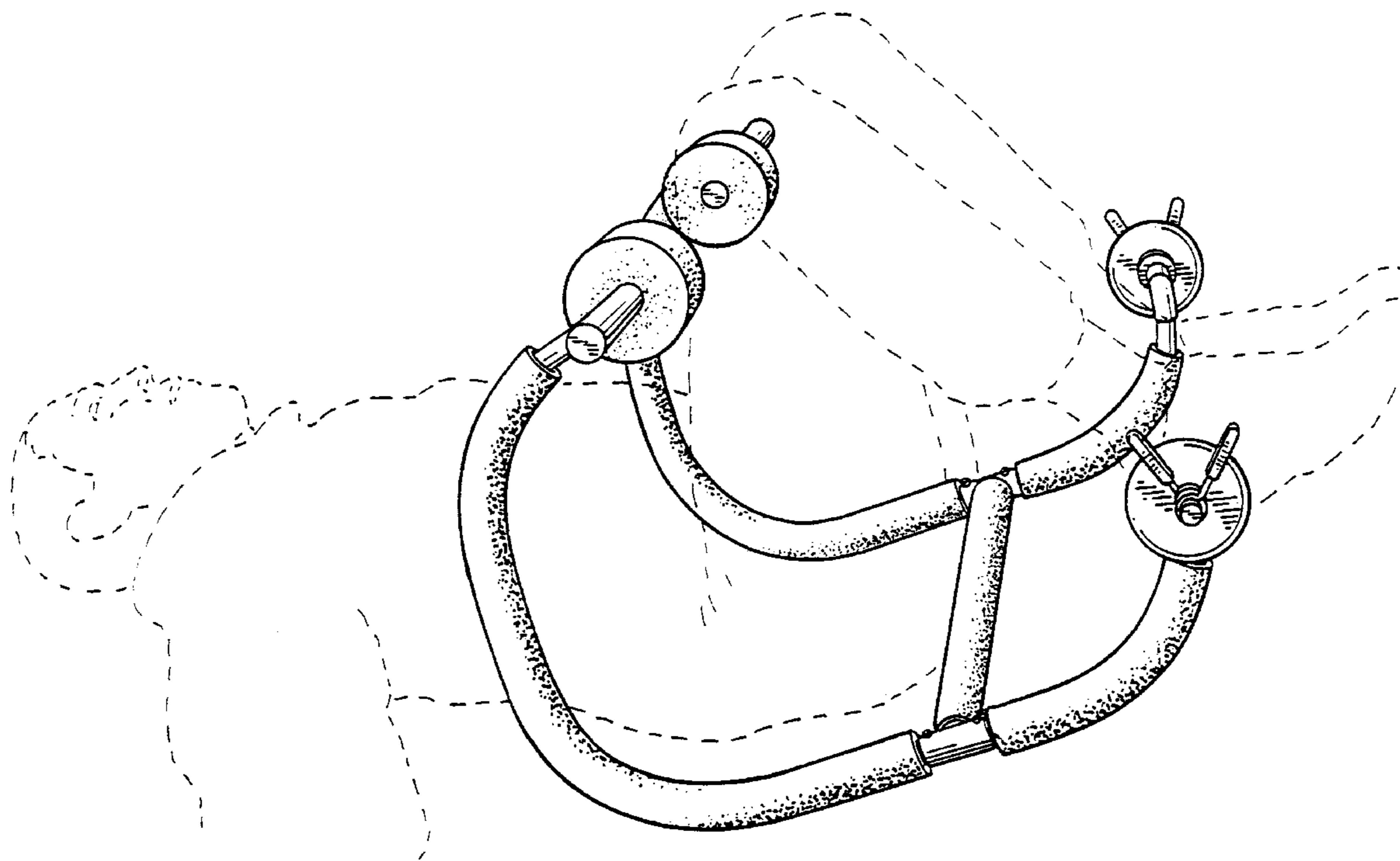
FIG. 3 is a rear view thereof;

FIG. 4 is a frontal view thereof;

FIG. 5 is a top plan view thereof; and,

FIG. 6 is a bottom plan view thereof.

**1 Claim, 5 Drawing Sheets**



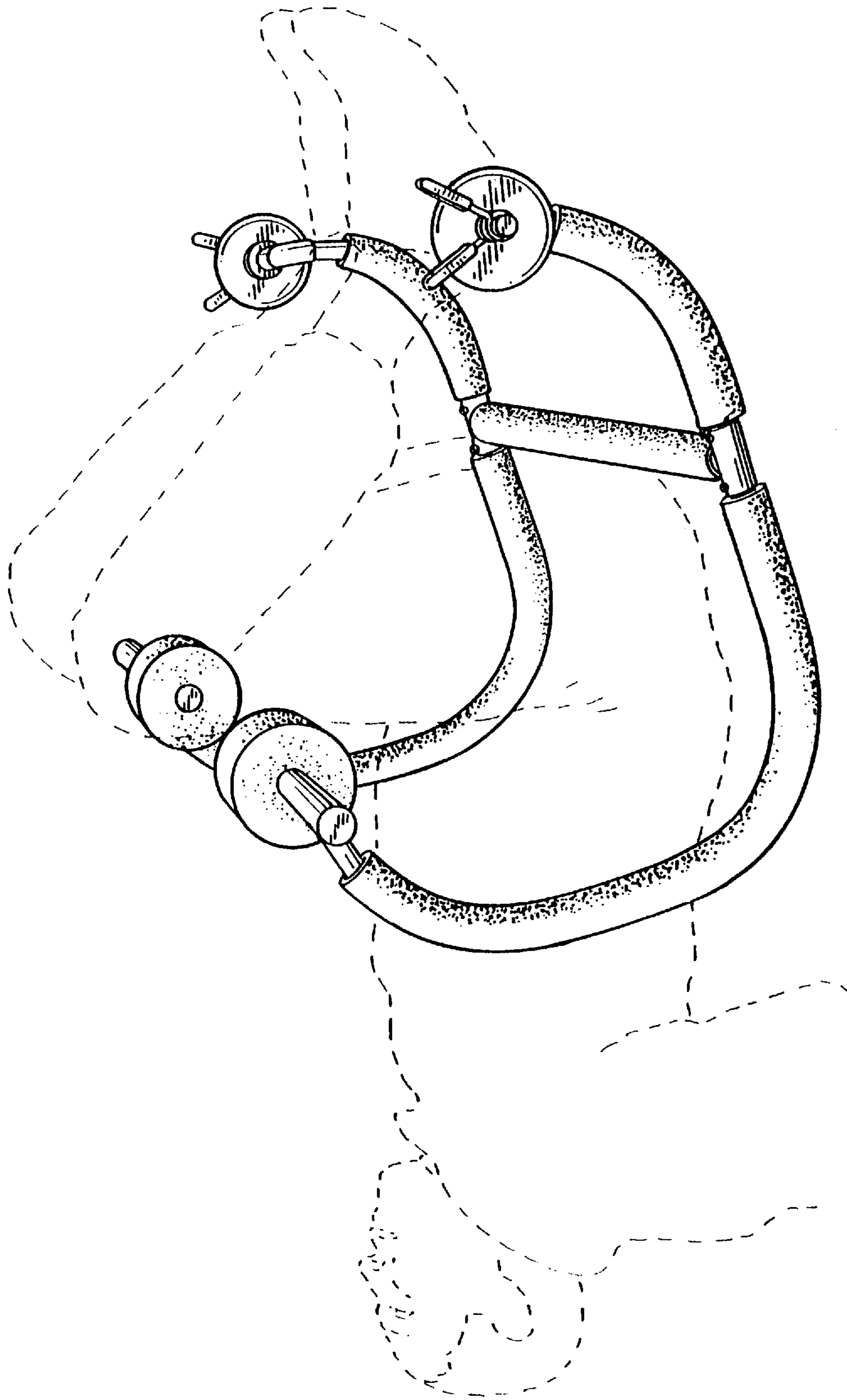


FIG. 1

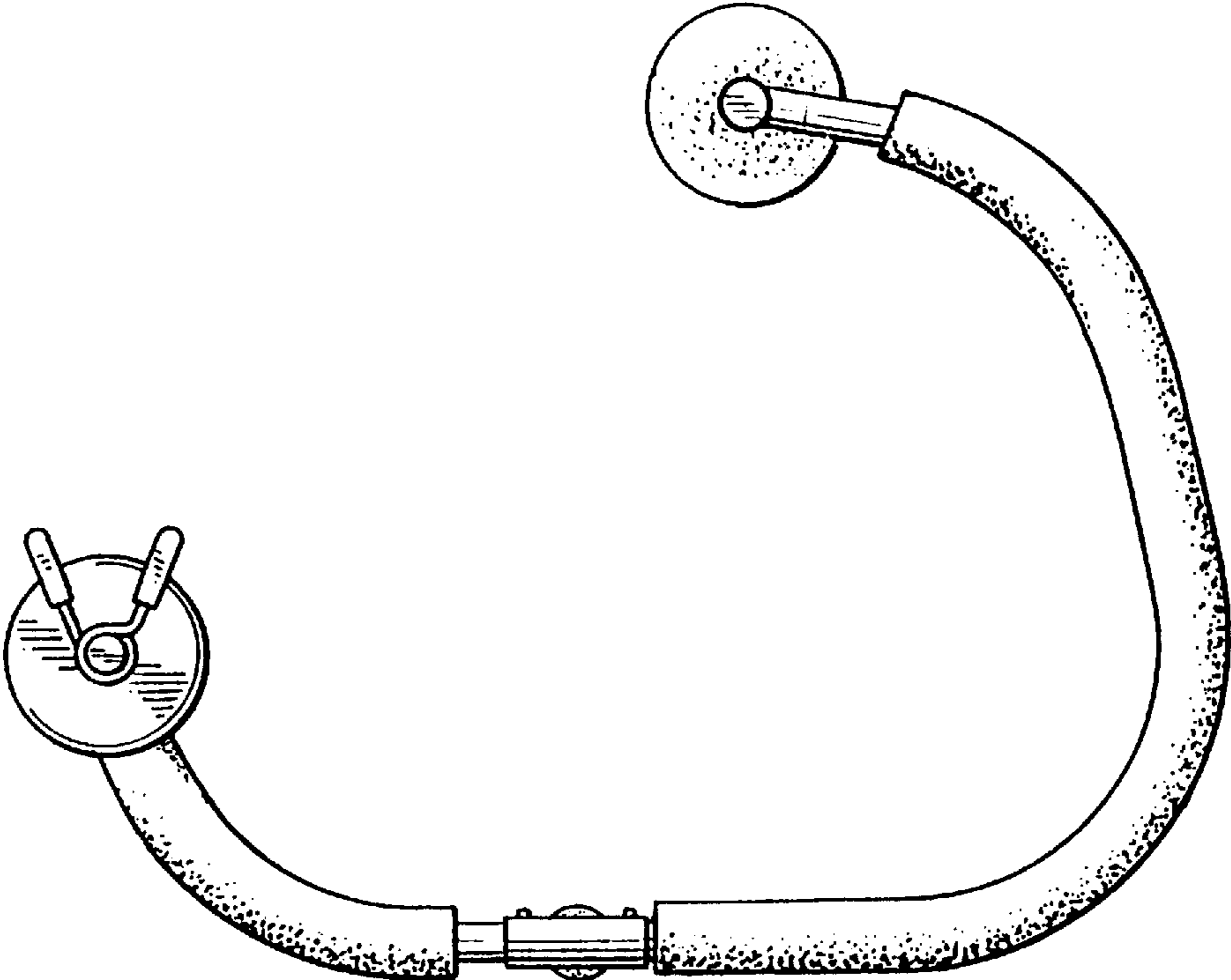


FIG. 2

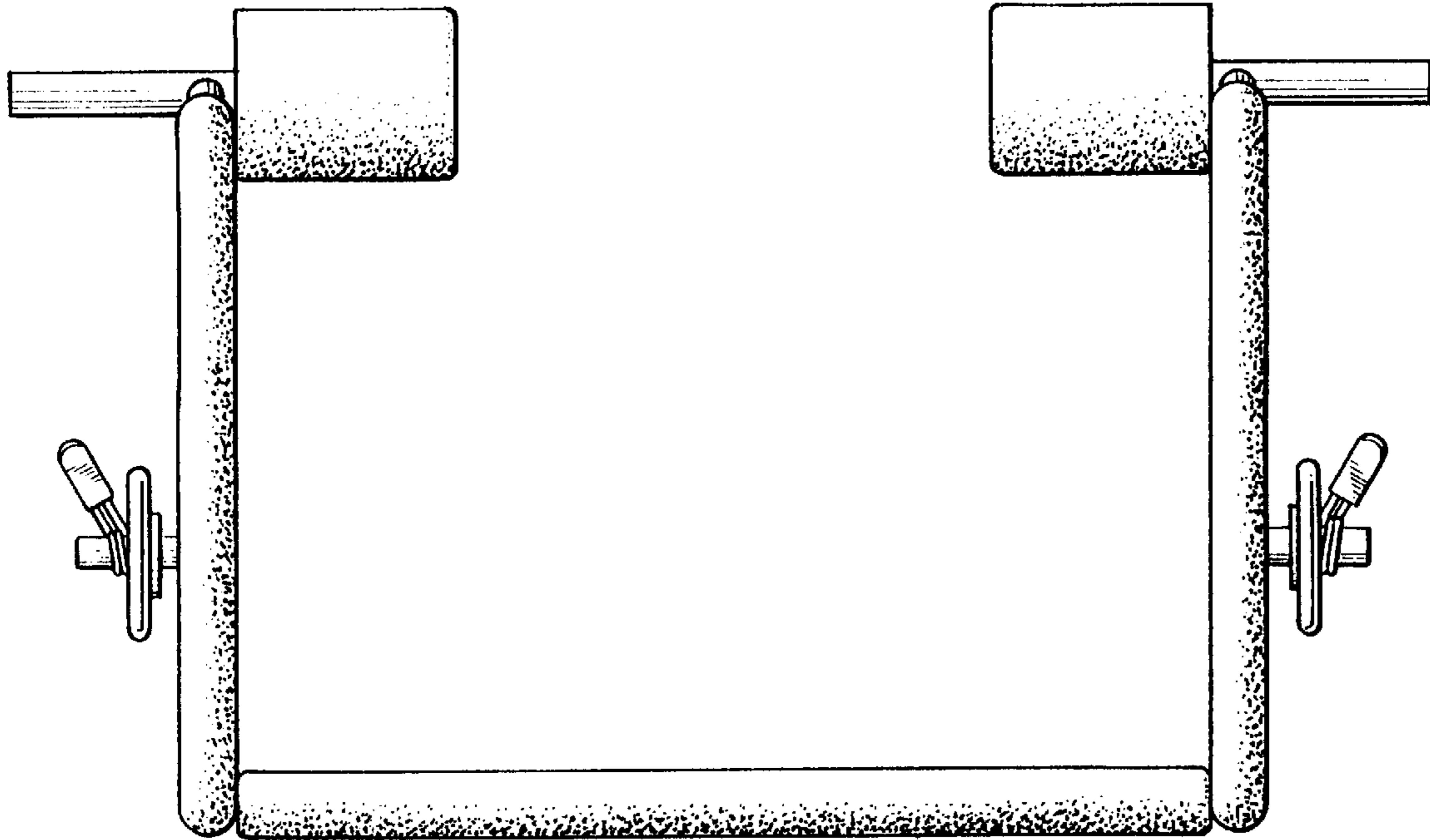


FIG. 3

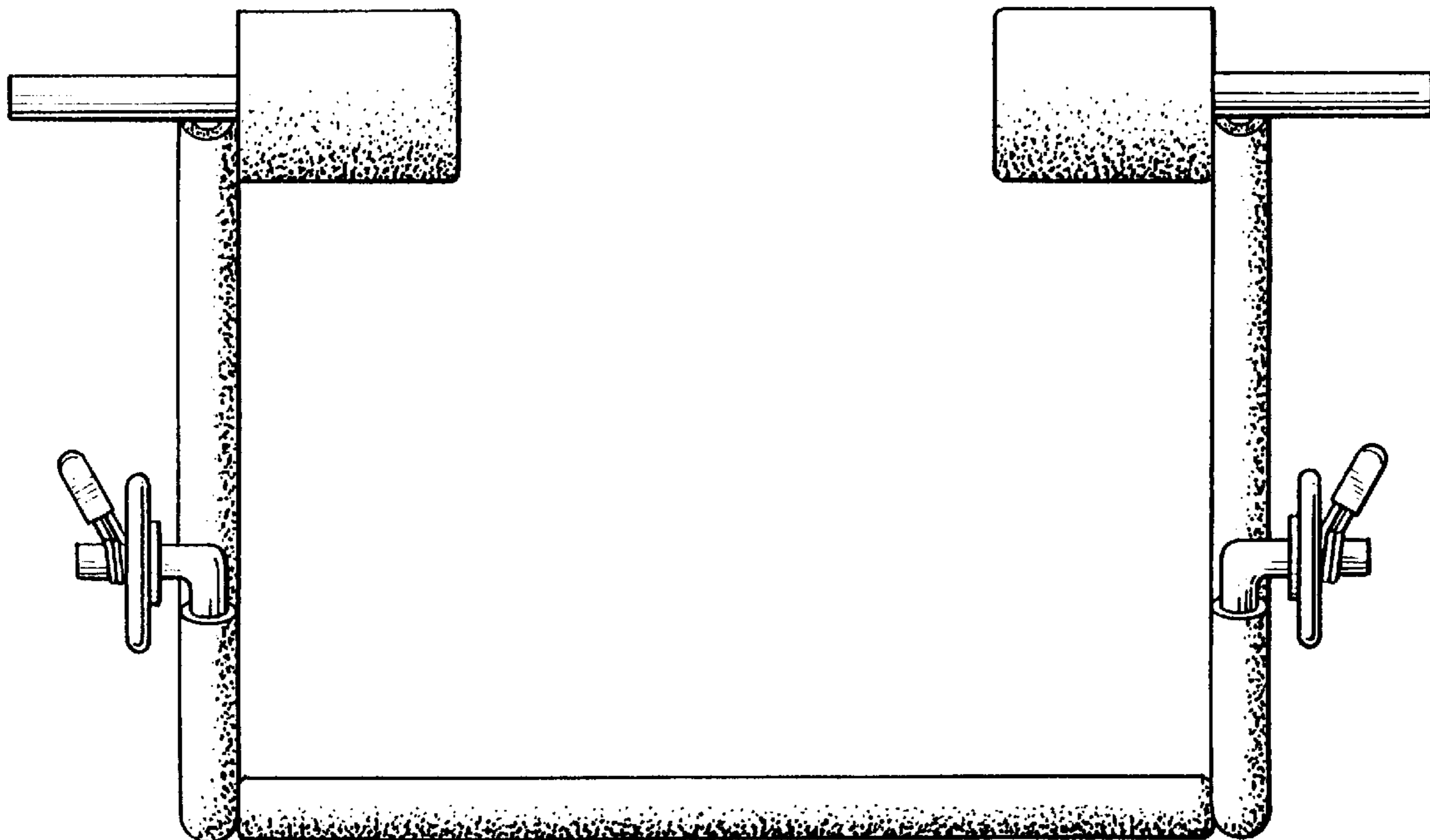


FIG. 4

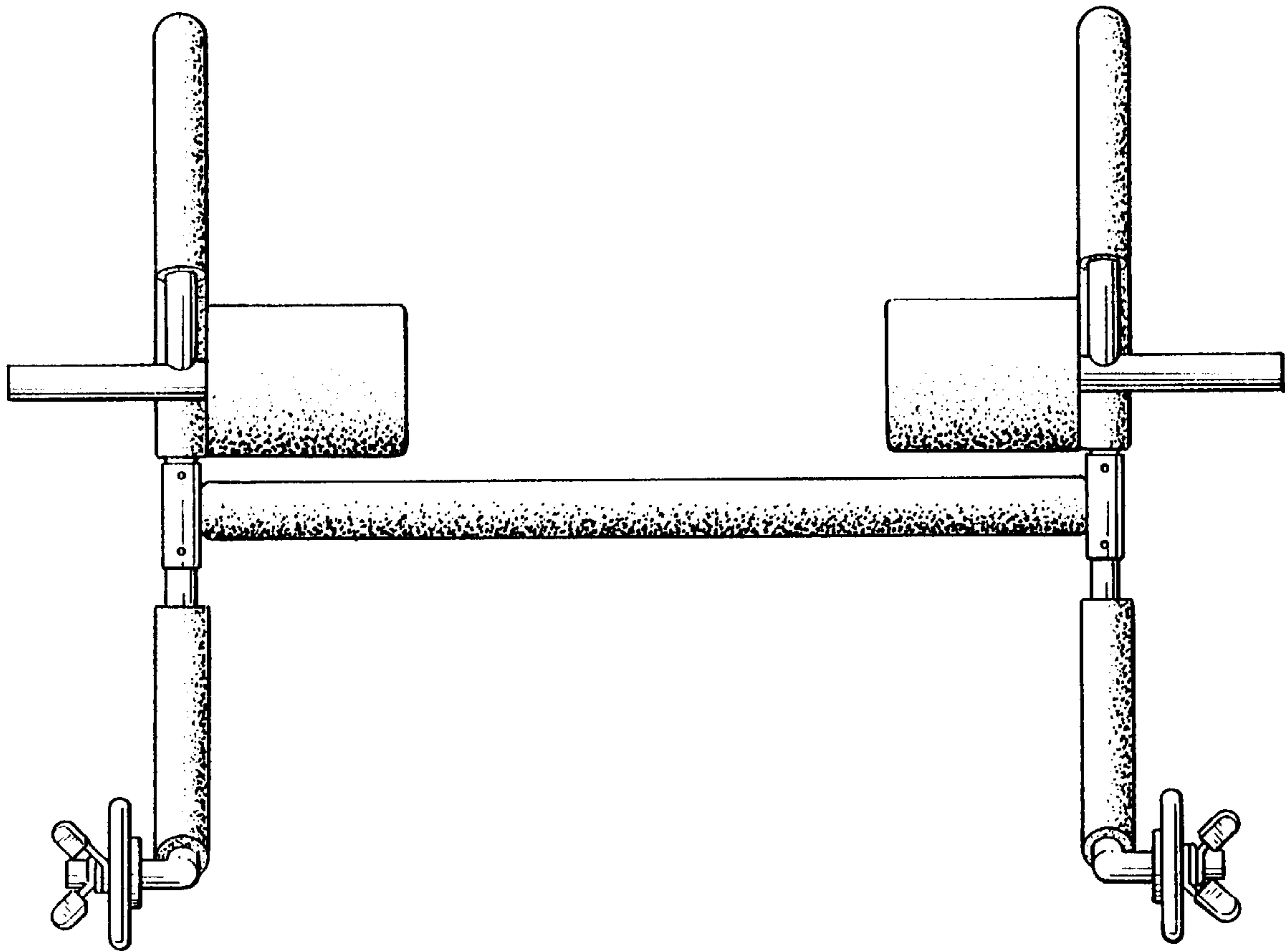


FIG. 5

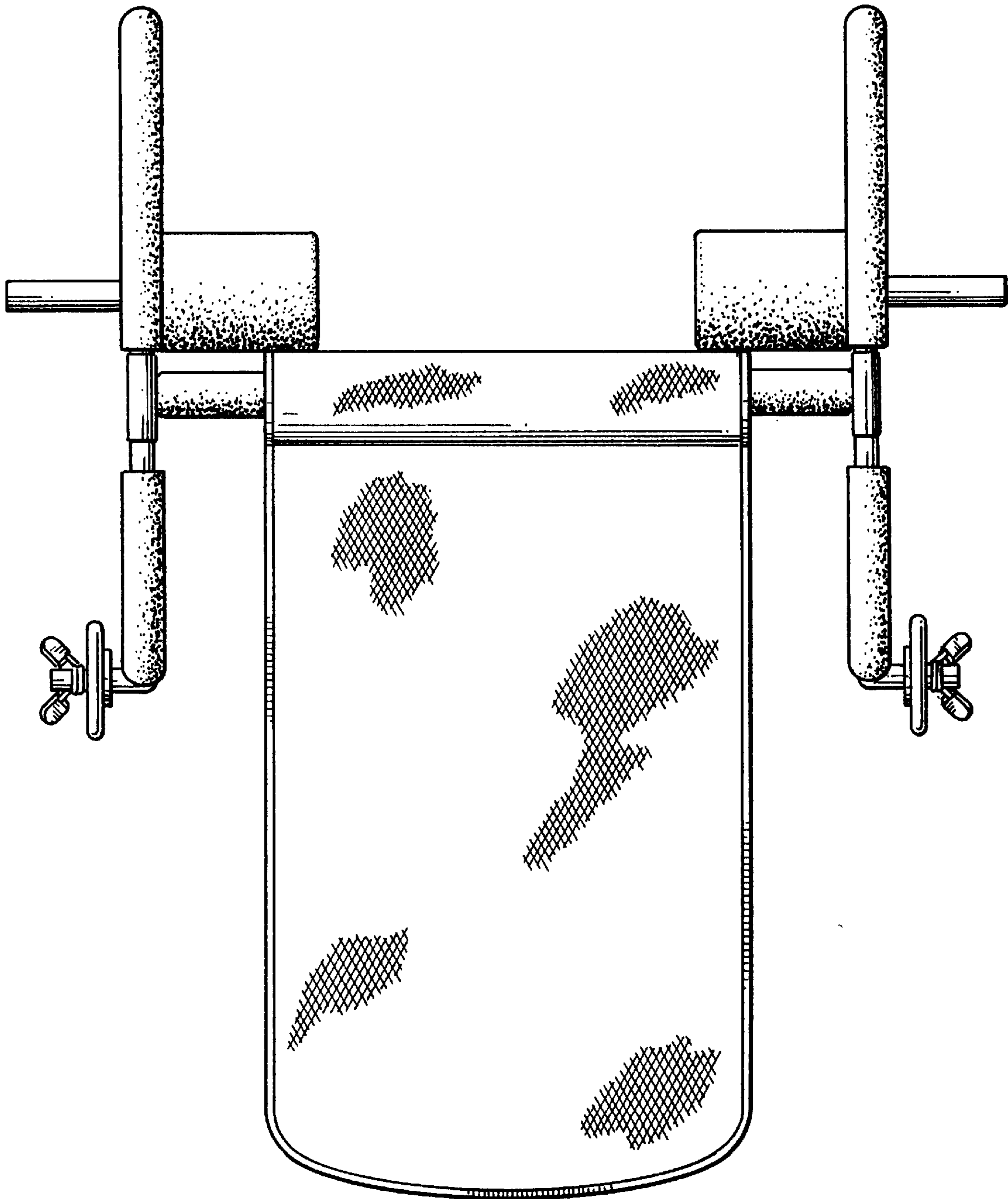


FIG. 6