



US00D395682S

# United States Patent [19]

Bartholdy et al.

[11] Patent Number: **Des. 395,682**

[45] Date of Patent: **\*\*Jun. 30, 1998**

[54] **TOY MERRY-GO-ROUND**

[75] Inventors: **Anne Maria Bartholdy**, Gentofte;  
**Niels Øhrwald**, Helsingør, both of  
Denmark

[73] Assignee: **INTERLEGO AG**, Baar, Switzerland

[\*\*] Term: **14 Years**

[21] Appl. No.: **76,721**

[22] Filed: **Sep. 18, 1997**

[51] **LOC (6) Cl.** ..... **21-01**

[52] **U.S. Cl.** ..... **D21/108; D21/249**

[58] **Field of Search** ..... D21/108, 109,  
D21/247, 249; 446/85, 102-104, 110, 116-117,  
120, 121, 124, 125, 126, 128; 472/14

[56] **References Cited**

**U.S. PATENT DOCUMENTS**

- D. 260,798 9/1981 Yamashina ..... D21/249
- D. 285,593 9/1986 Host ..... D21/249
- D. 293,595 1/1988 Berggreen ..... D21/108

- D. 317,479 6/1991 Olsen ..... D21/108
- D. 331,430 12/1992 Nolan ..... D21/249
- 3,670,449 6/1972 Lemkin et al. .... 446/126
- 4,811,942 3/1989 Rusk ..... 472/14

*Primary Examiner*—Raphael Barkai  
*Attorney, Agent, or Firm*—Kane, Dalsimer, Sullivan,  
Kurucz, Levy, Eisele and Richard, LLP

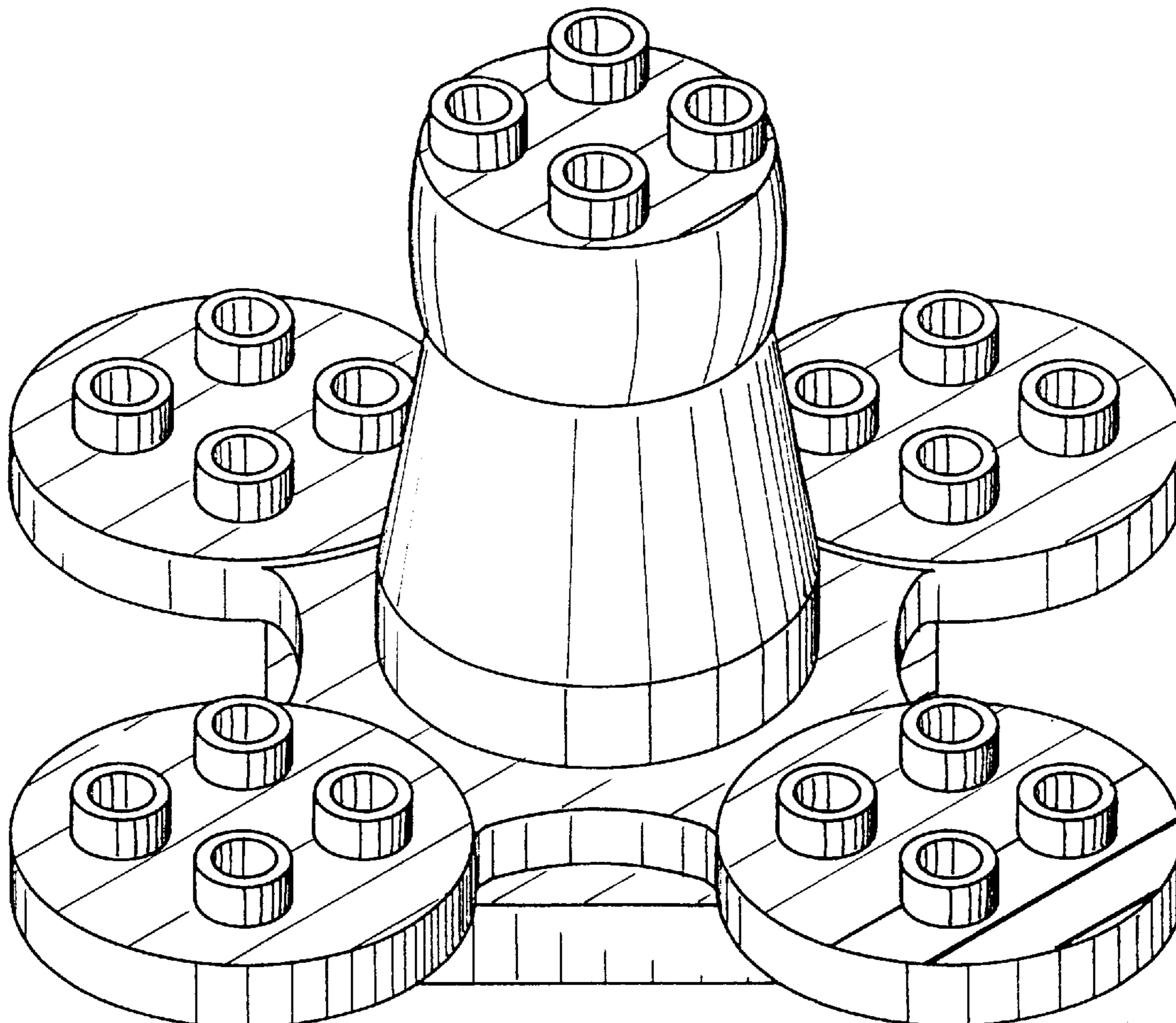
[57] **CLAIM**

The ornamental design for a toy merry-go-round, as shown and described.

**DESCRIPTION**

FIG. 1 is a top perspective view of the toy merry-go-round; FIG. 2 is a bottom perspective view thereof; FIG. 3 is a top perspective view in an alternative position; FIG. 4 is a front elevational view thereof; FIG. 5 is a right side elevational view thereof; FIG. 6 is a left side elevational view thereof; FIG. 7 is a rear elevational view thereof; FIG. 8 is a bottom plan view thereof; and, FIG. 9 is a top plan view thereof.

**1 Claim, 6 Drawing Sheets**



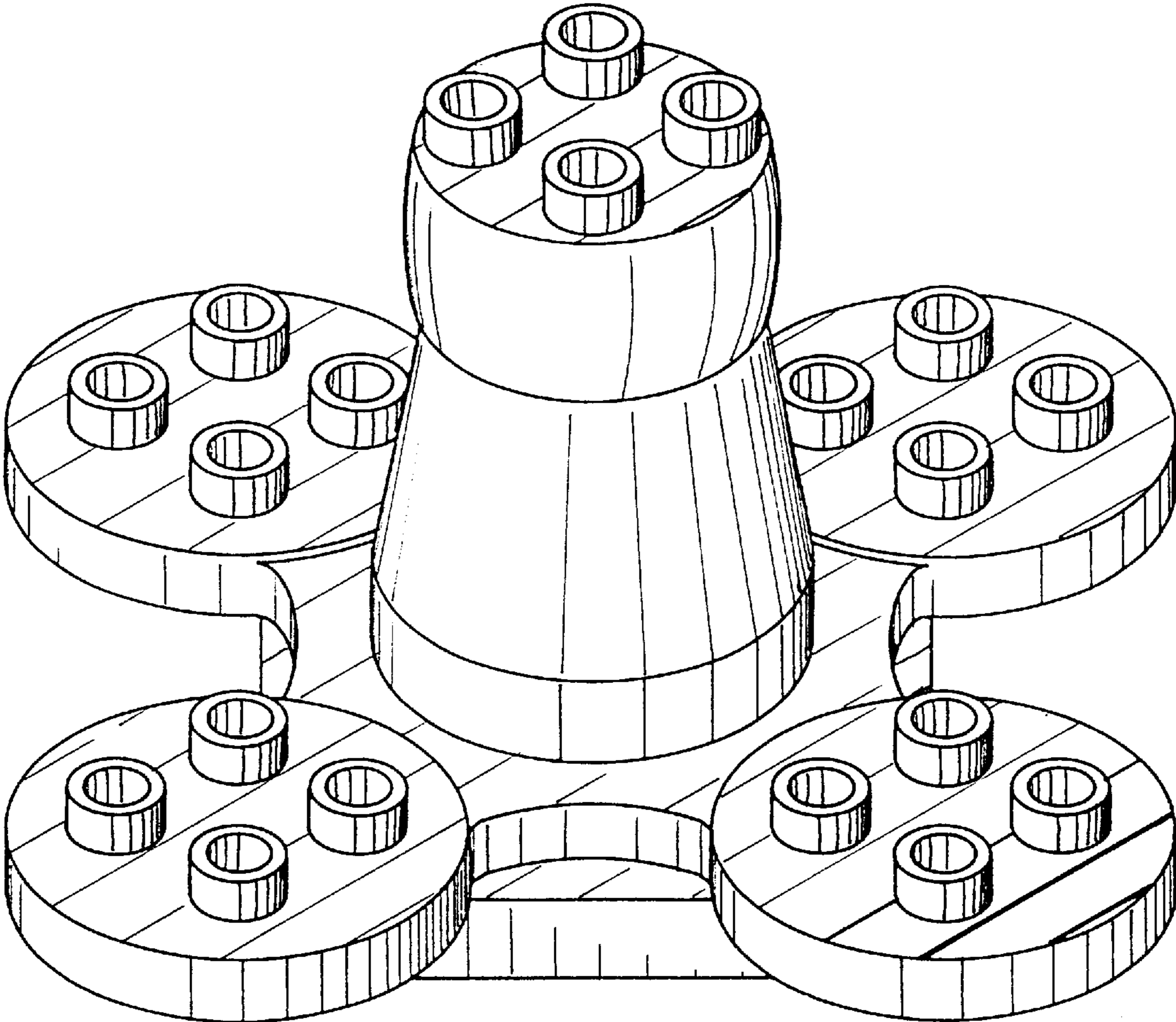


Fig. 1

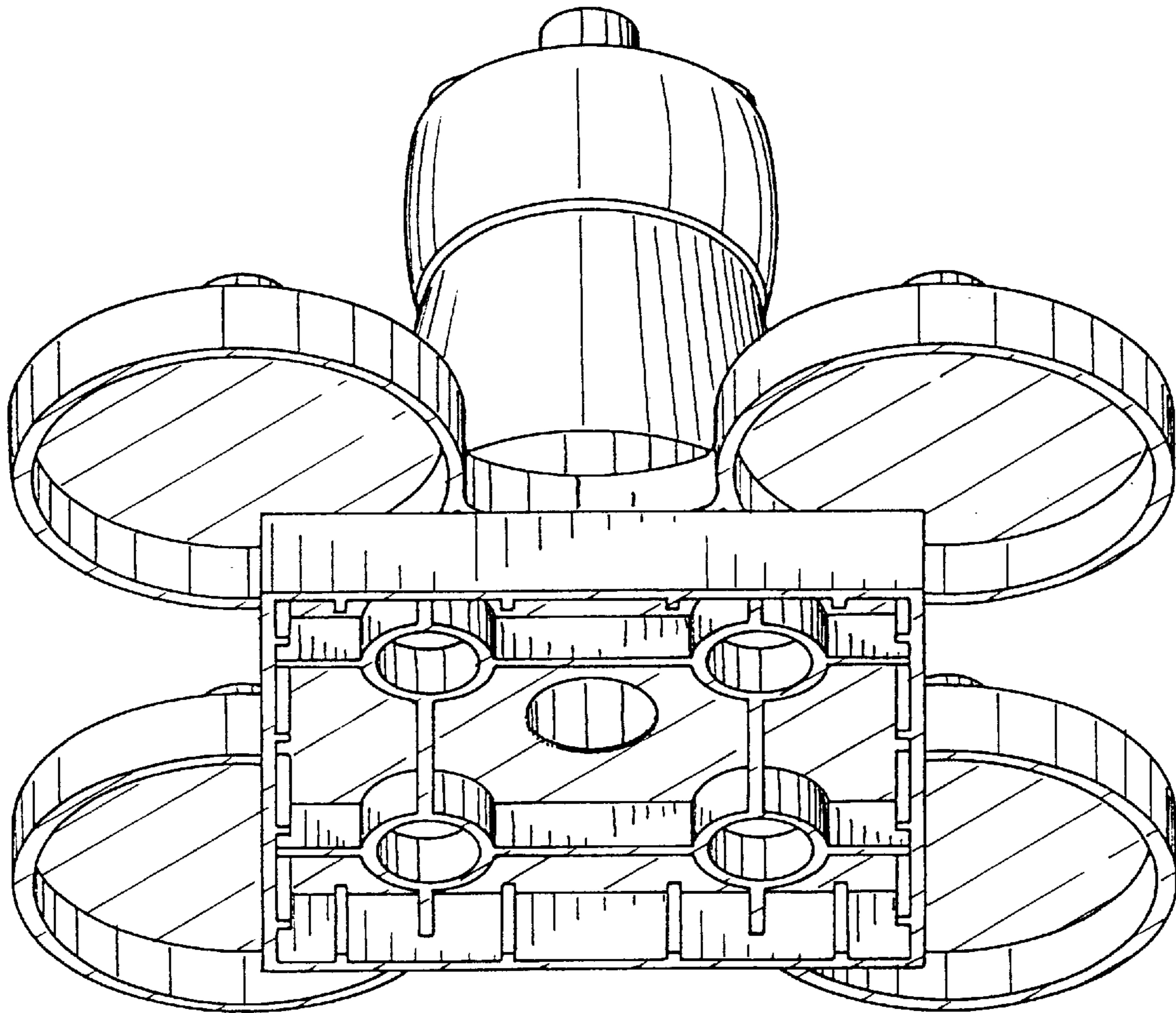


Fig. 2



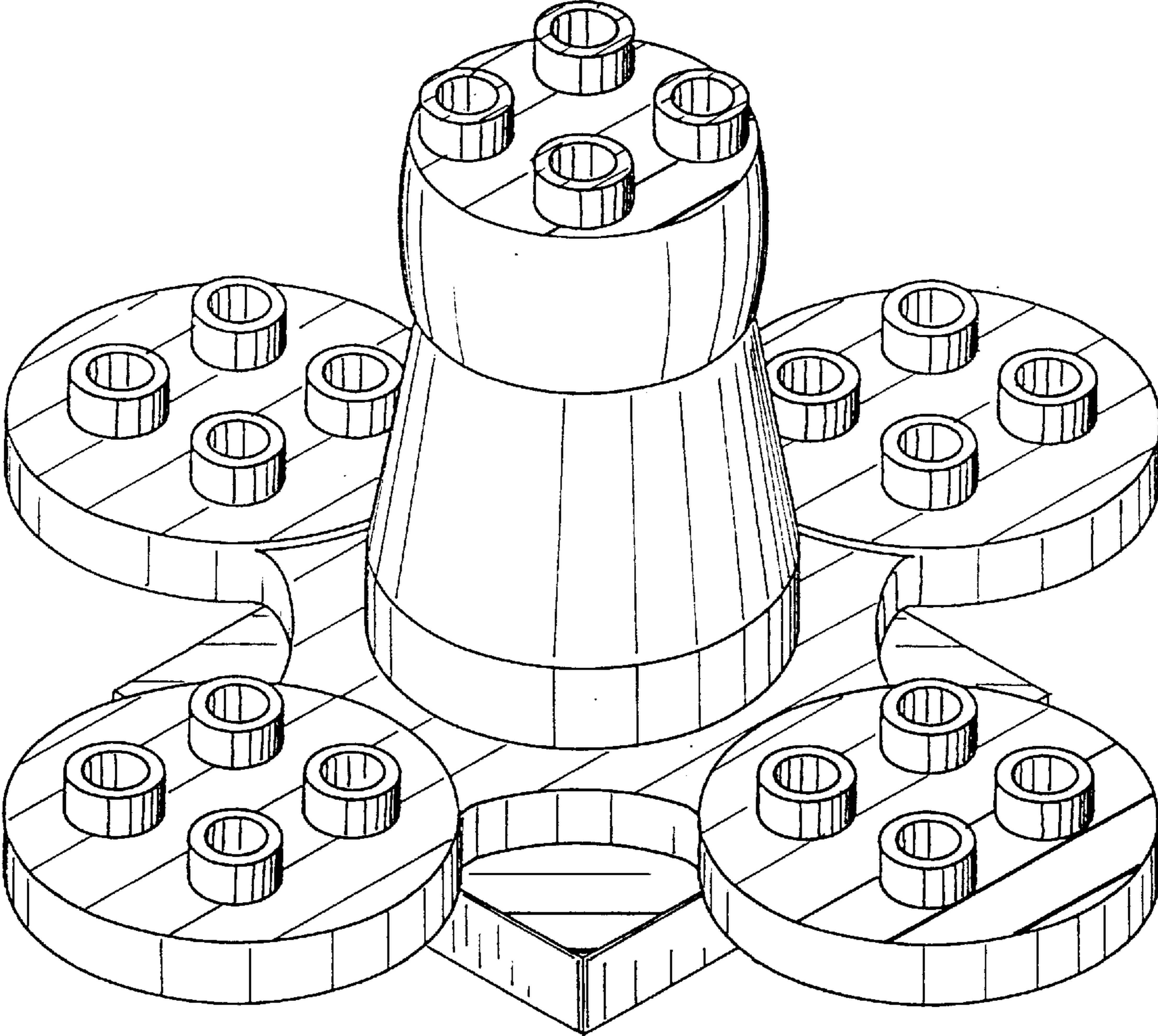
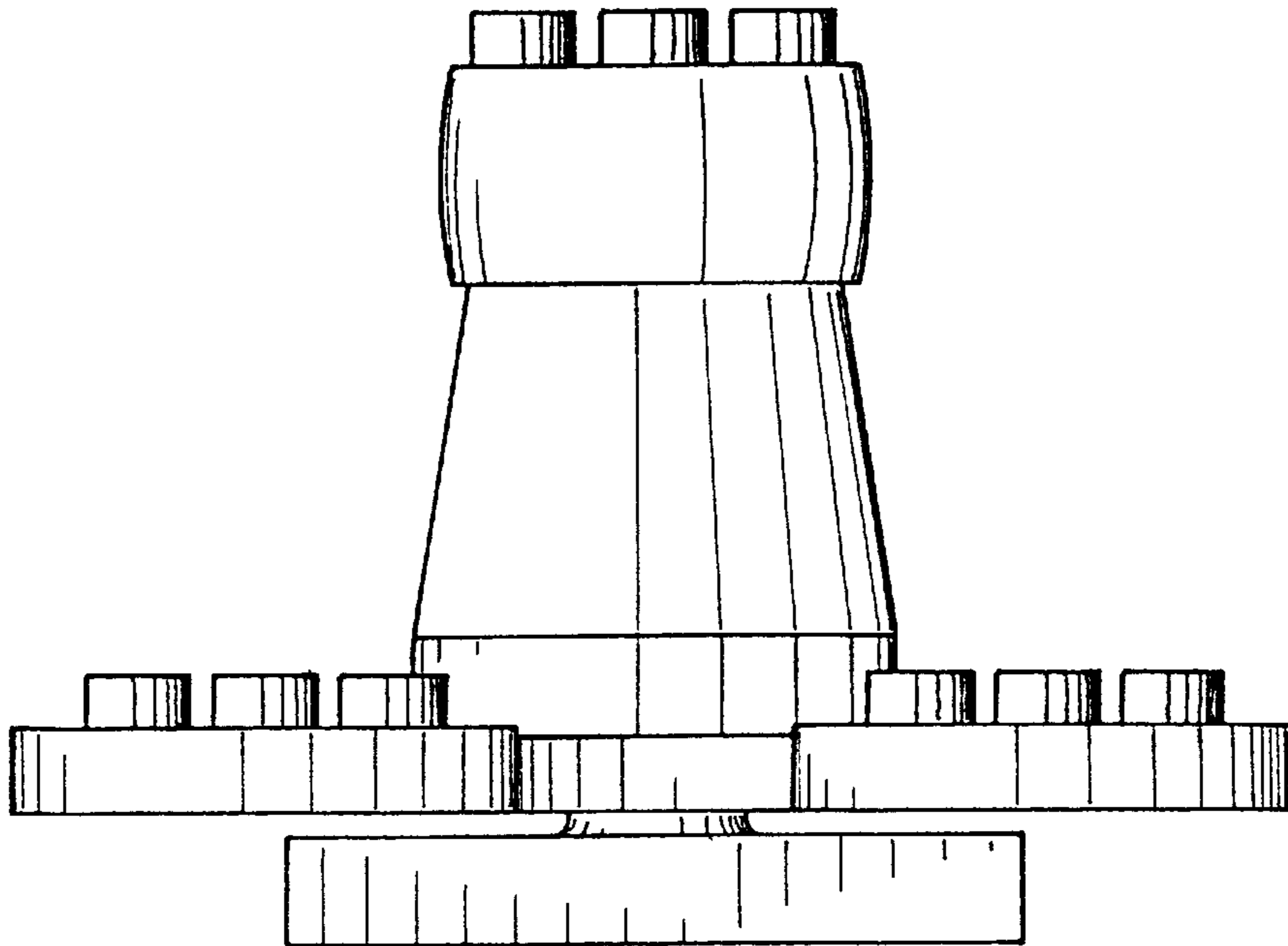
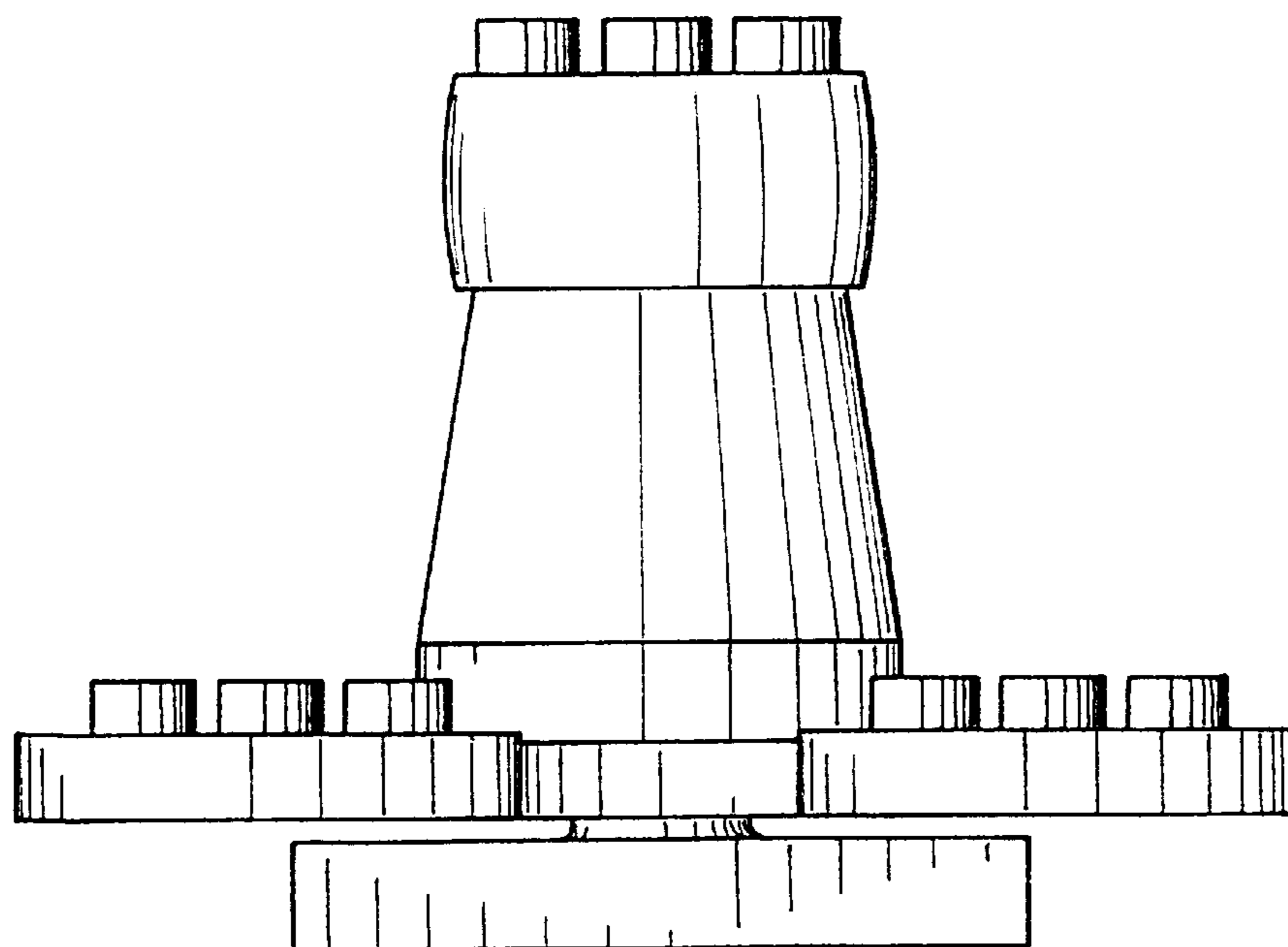


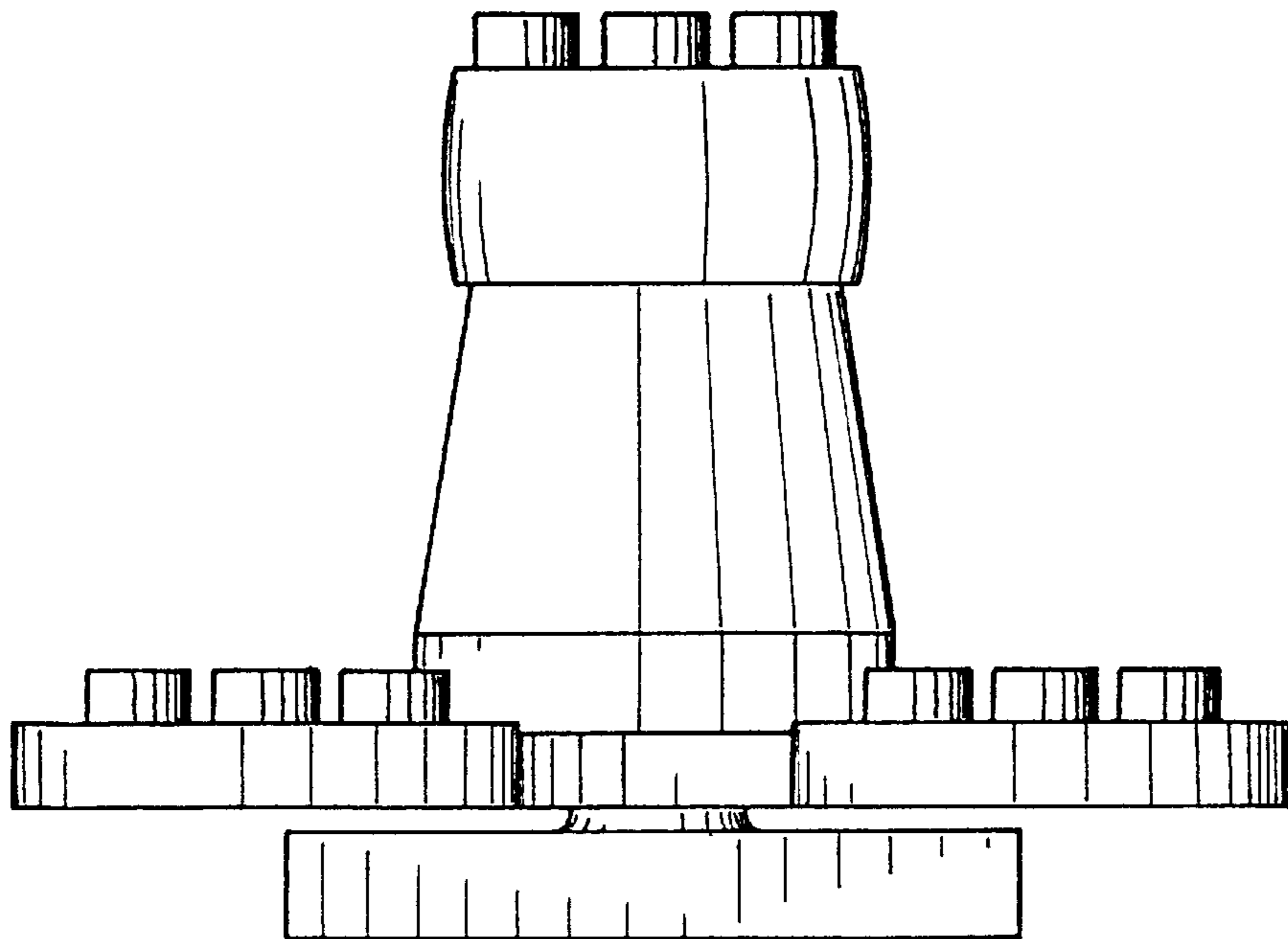
Fig. 3



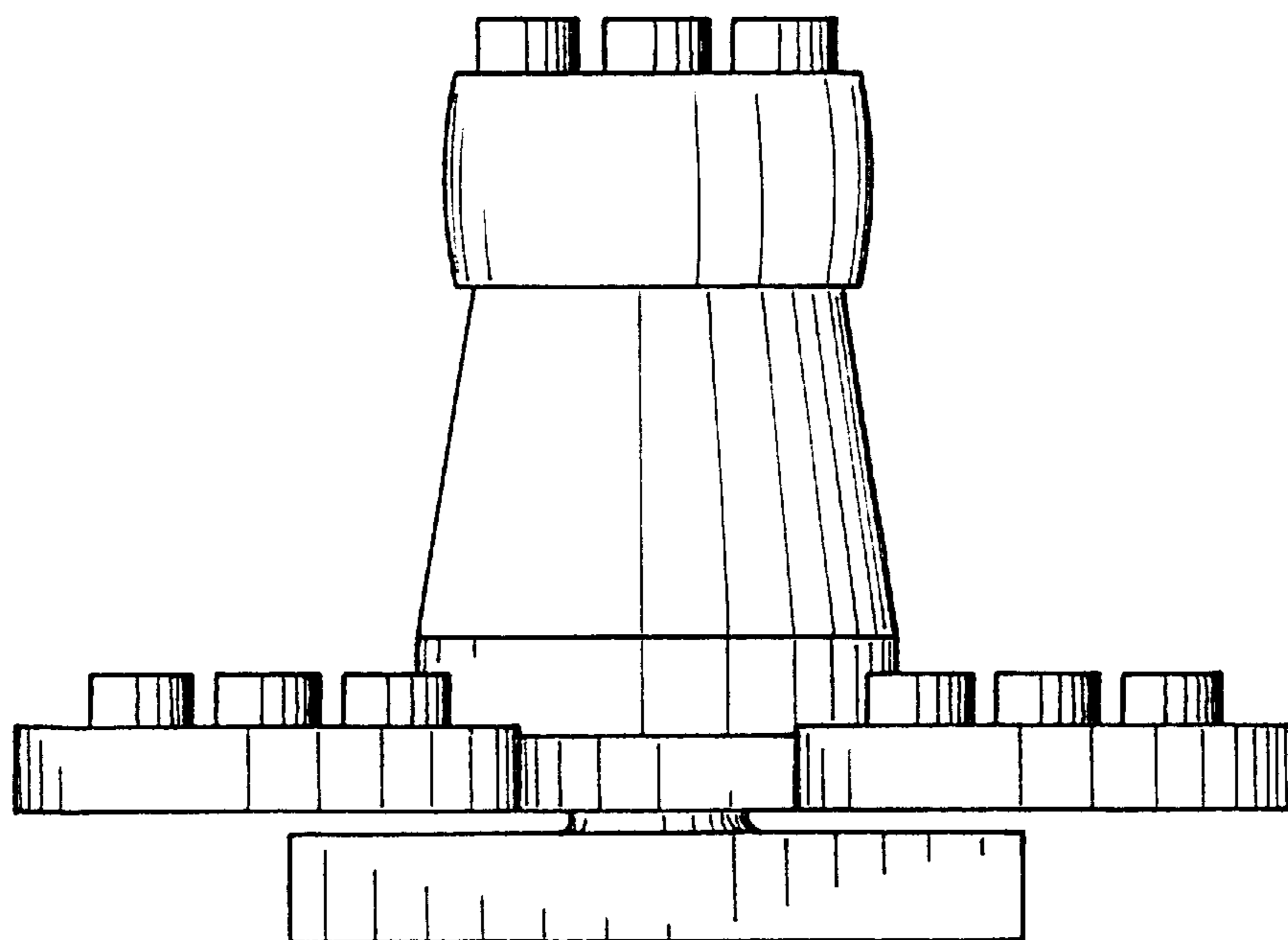
**Fig. 4**



**Fig. 5**



**Fig. 6**



**Fig. 7**

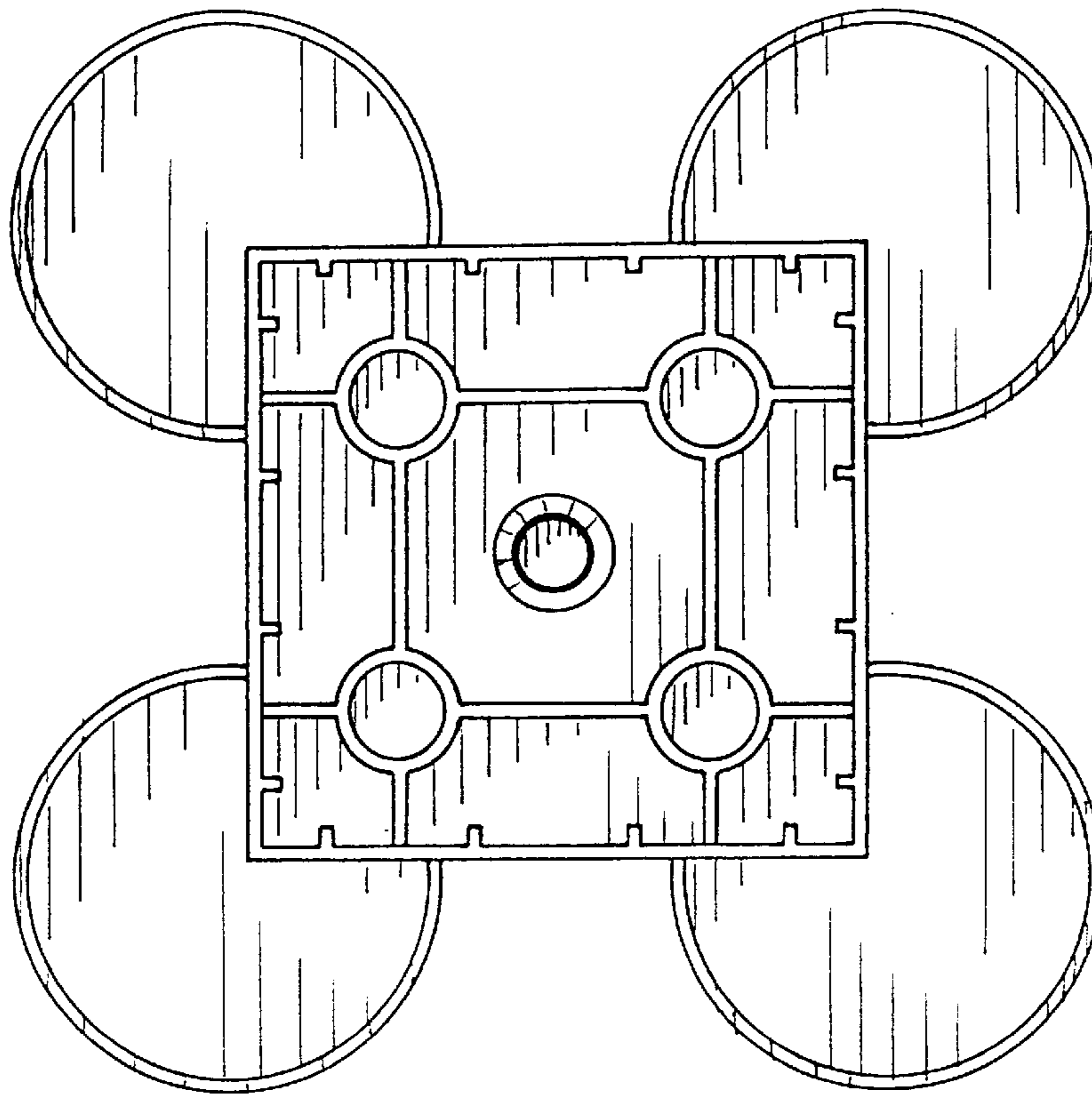


Fig. 8

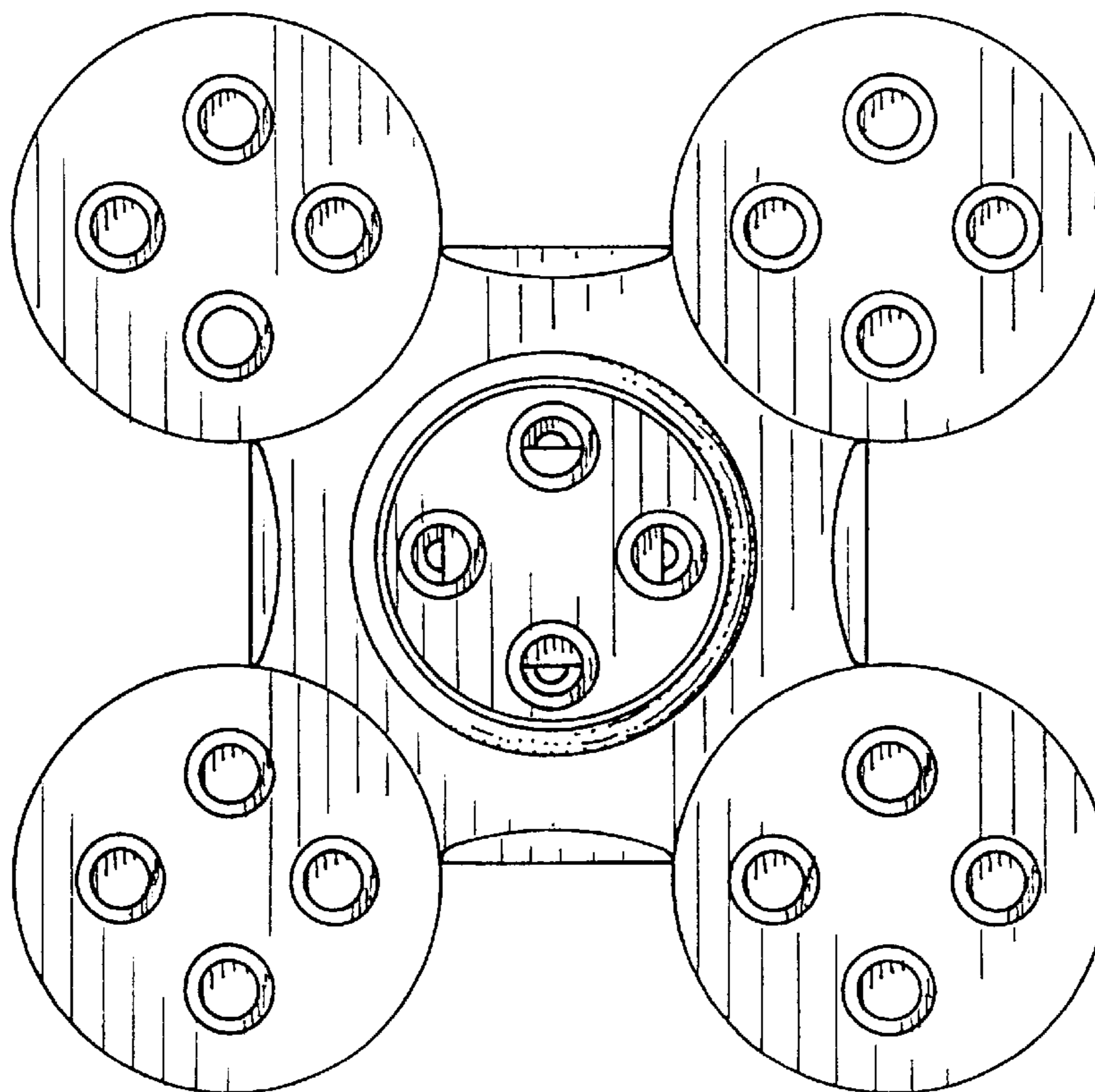


Fig. 9