



US00D395681S

United States Patent [19]
Clausen

[11] **Patent Number: Des. 395,681**

[45] **Date of Patent: **Jun. 30, 1998**

[54] **TOY BUILDING ELEMENT**

[75] Inventor: **Henrik Clausen**, Vildbjerg, Denmark

[73] Assignee: **INTERLEGO AG**, Baar, Switzerland

[**] Term: **14 Years**

[21] Appl. No.: **76,696**

[22] Filed: **Sep. 18, 1997**

[51] **LOC (6) Cl.** **21-01**

[52] **U.S. Cl.** **D21/108; D21/141**

[58] **Field of Search** D21/108, 109,
D21/76, 78, 79-81, 128, 131-141; 446/85,
88, 93-96, 117, 120, 121, 124, 128, 465,
470, 471

[56] **References Cited**

U.S. PATENT DOCUMENTS

D. 295,769 5/1988 Olsen D21/108

D. 328,928 8/1992 Jarnros D21/108

D. 329,473 9/1992 Pagel D21/108
1,845,201 2/1932 Shepard 446/93

Primary Examiner—Raphael Barkai

Attorney, Agent, or Firm—Kane, Dalsimer, Sullivan,
Kurucz, Levy, Eisele and Richard, LLP

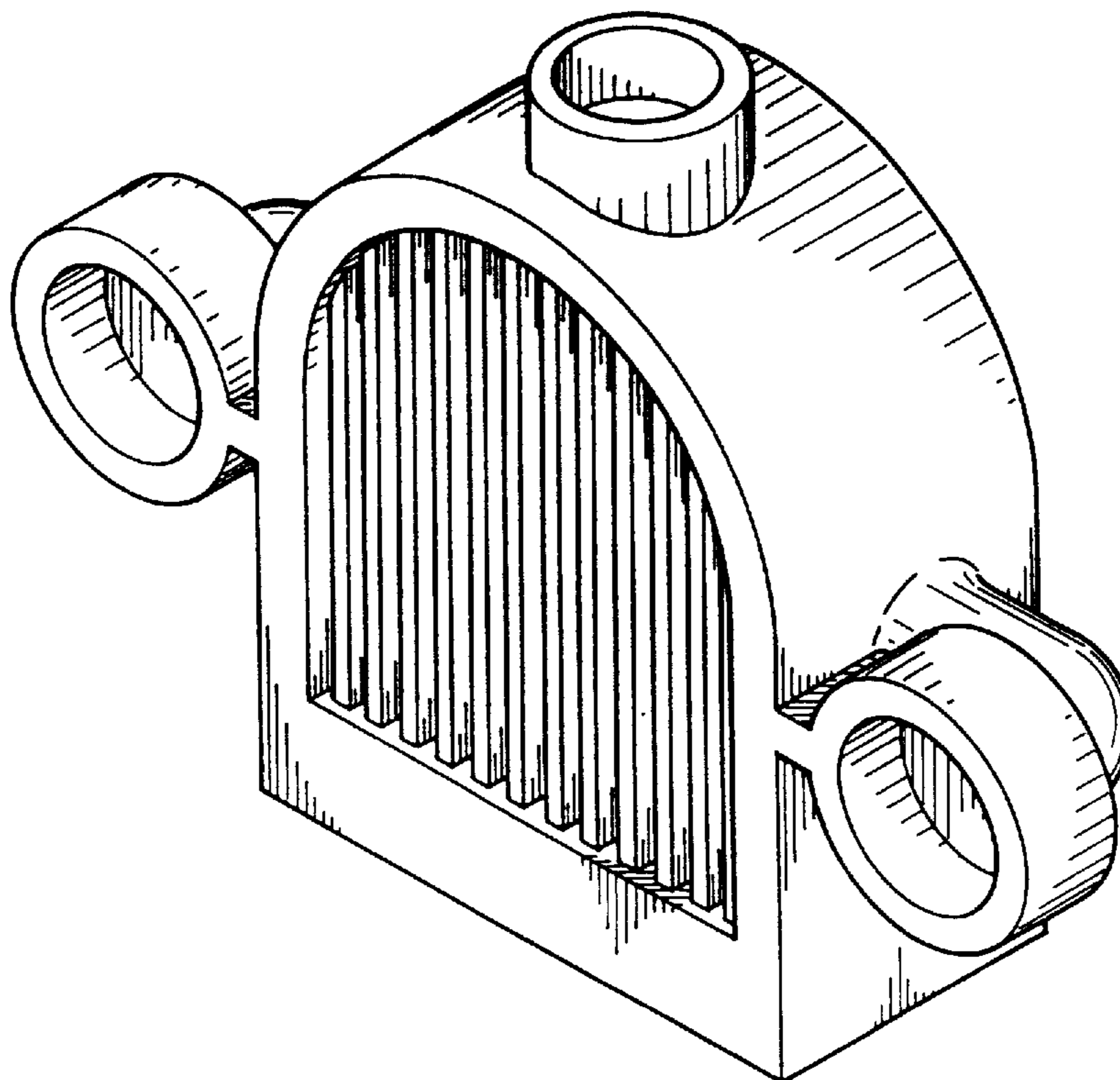
[57] **CLAIM**

The ornamental design for a toy building element, as shown and described.

DESCRIPTION

FIG. 1 is a top perspective view of the toy building element; FIG. 2 is a bottom perspective view thereof; FIG. 3 is a front elevational view thereof; FIG. 4 is a right side elevational view thereof; FIG. 5 is a left side elevational view thereof; FIG. 6 is a rear elevational view thereof; FIG. 7 is a bottom plan view thereof; and, FIG. 8 is a top plan view thereof.

1 Claim, 2 Drawing Sheets



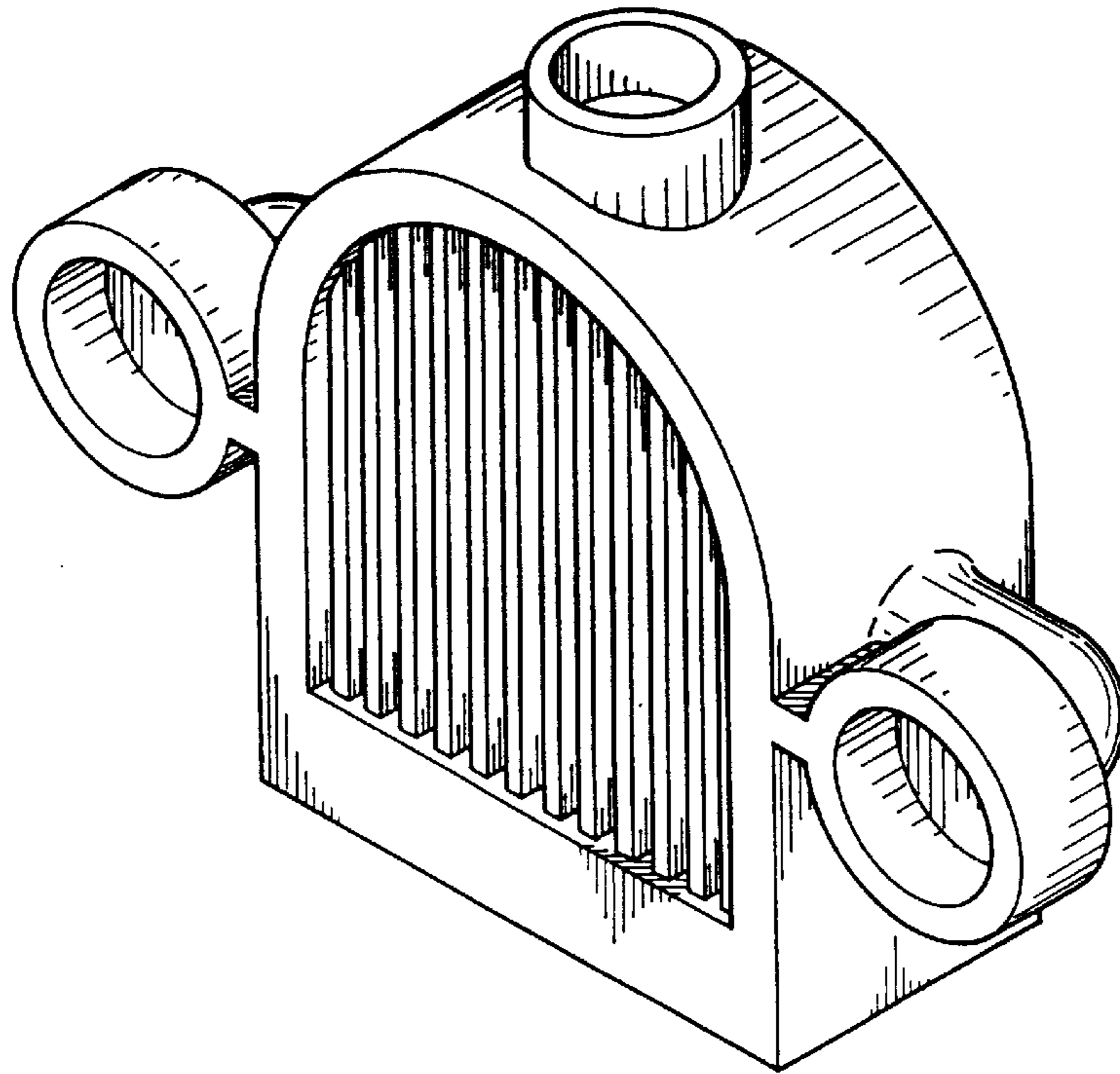


Fig. 1

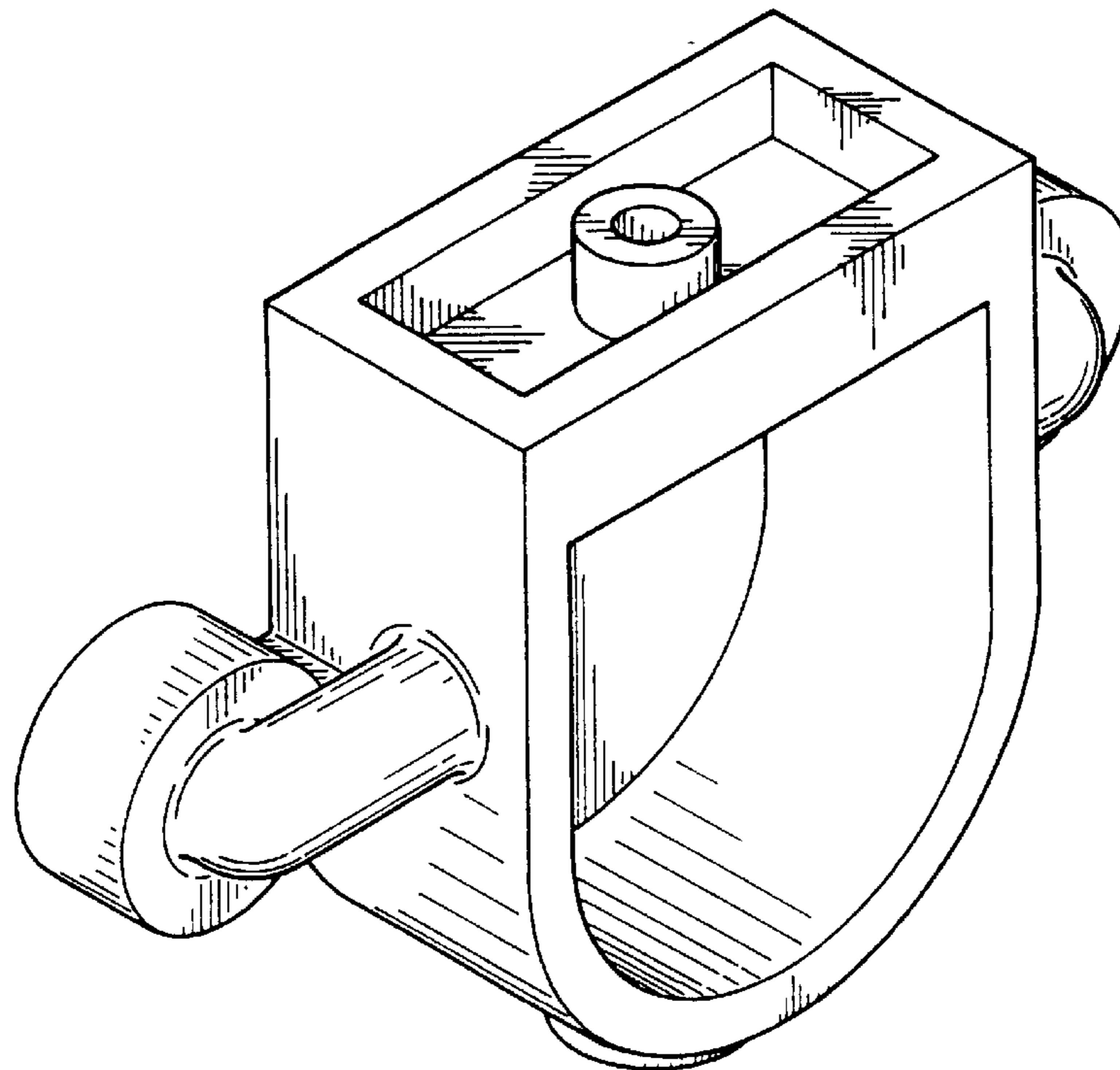


Fig. 2

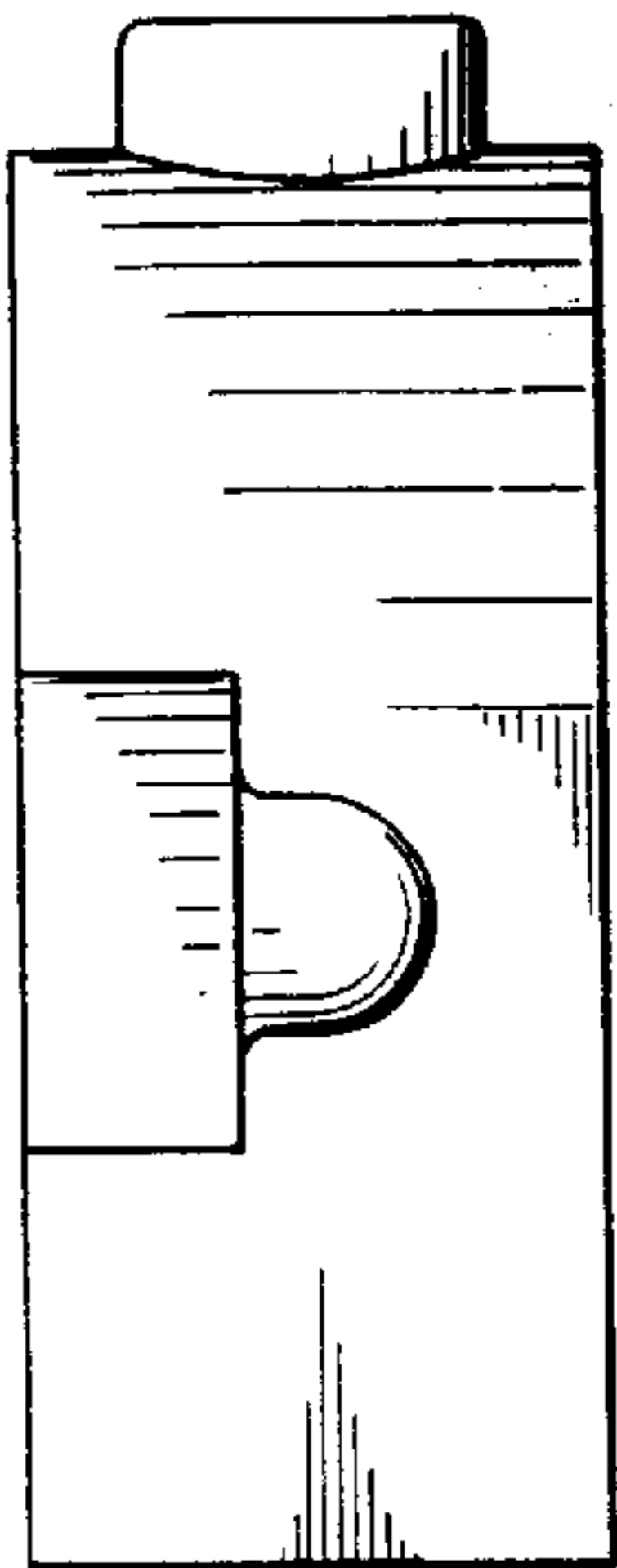


Fig. 4

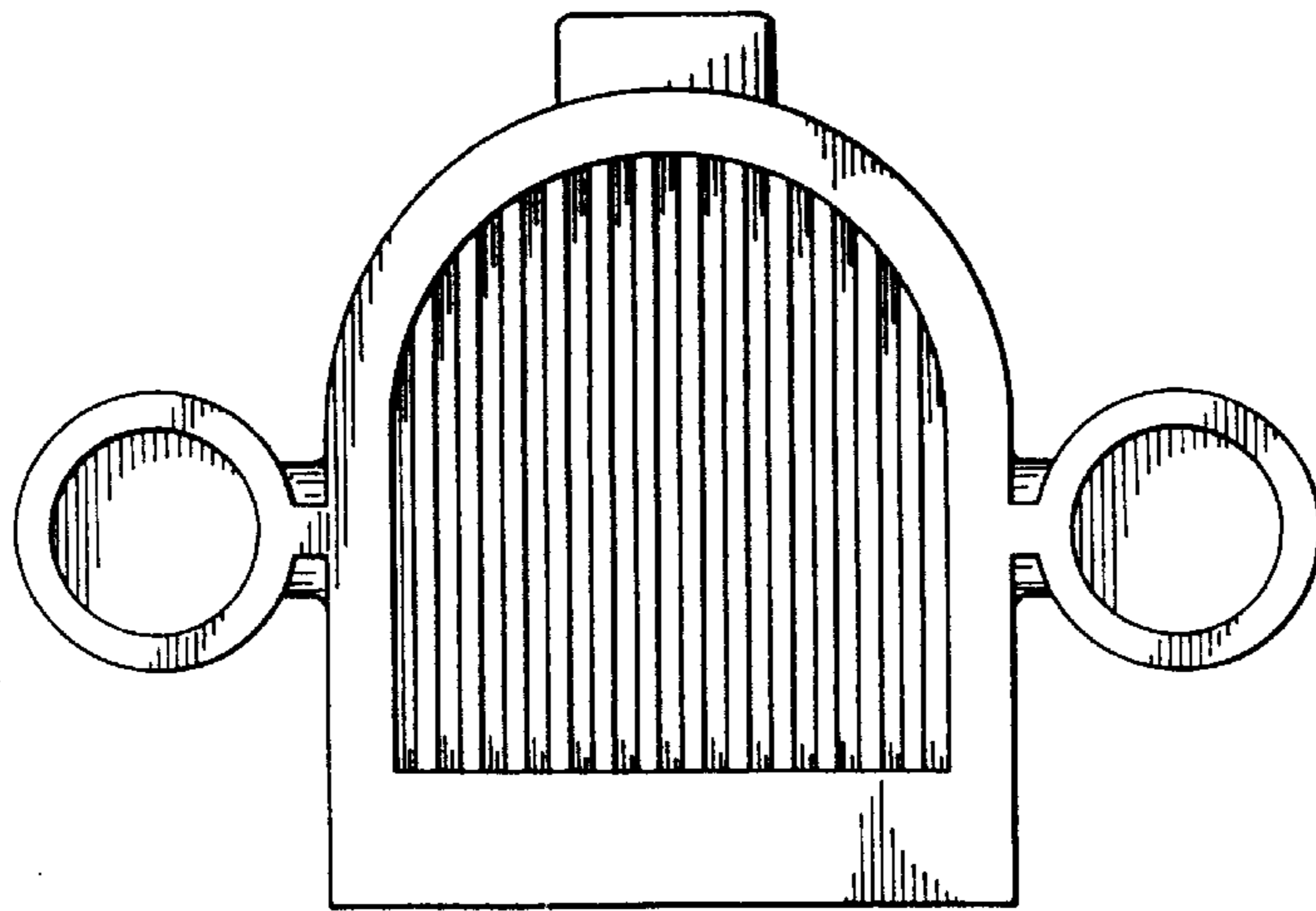


Fig. 3

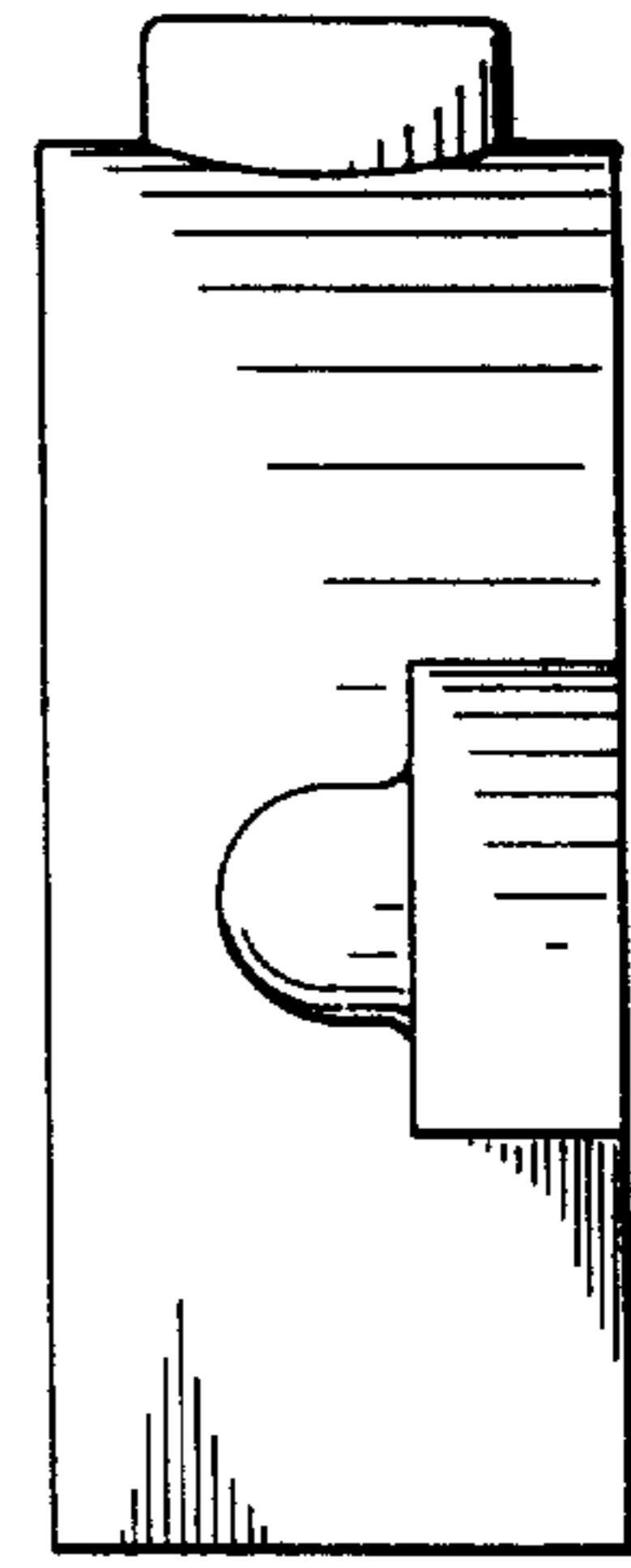


Fig. 5

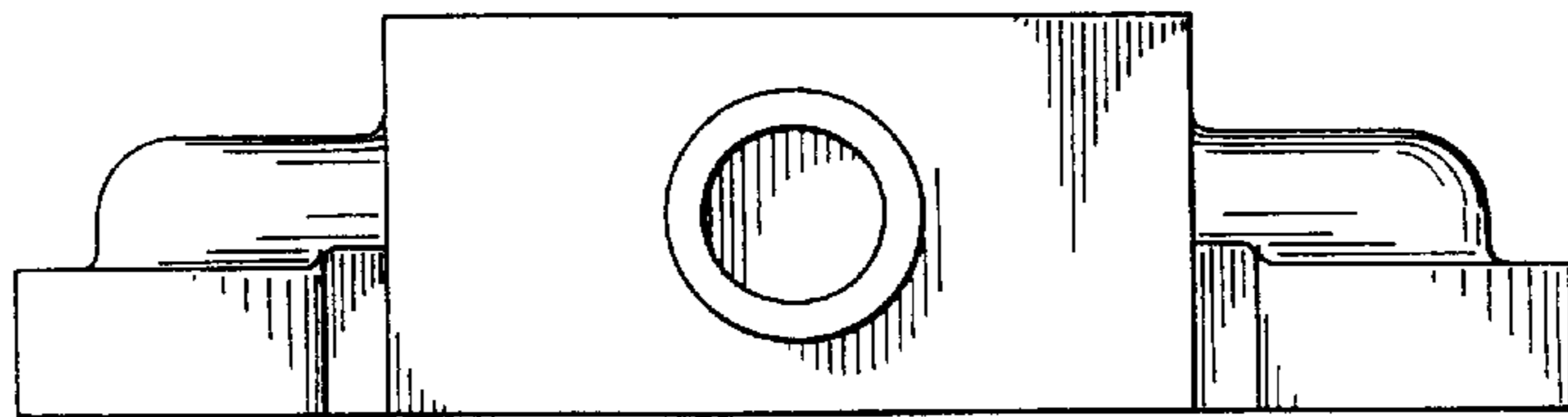


Fig. 8

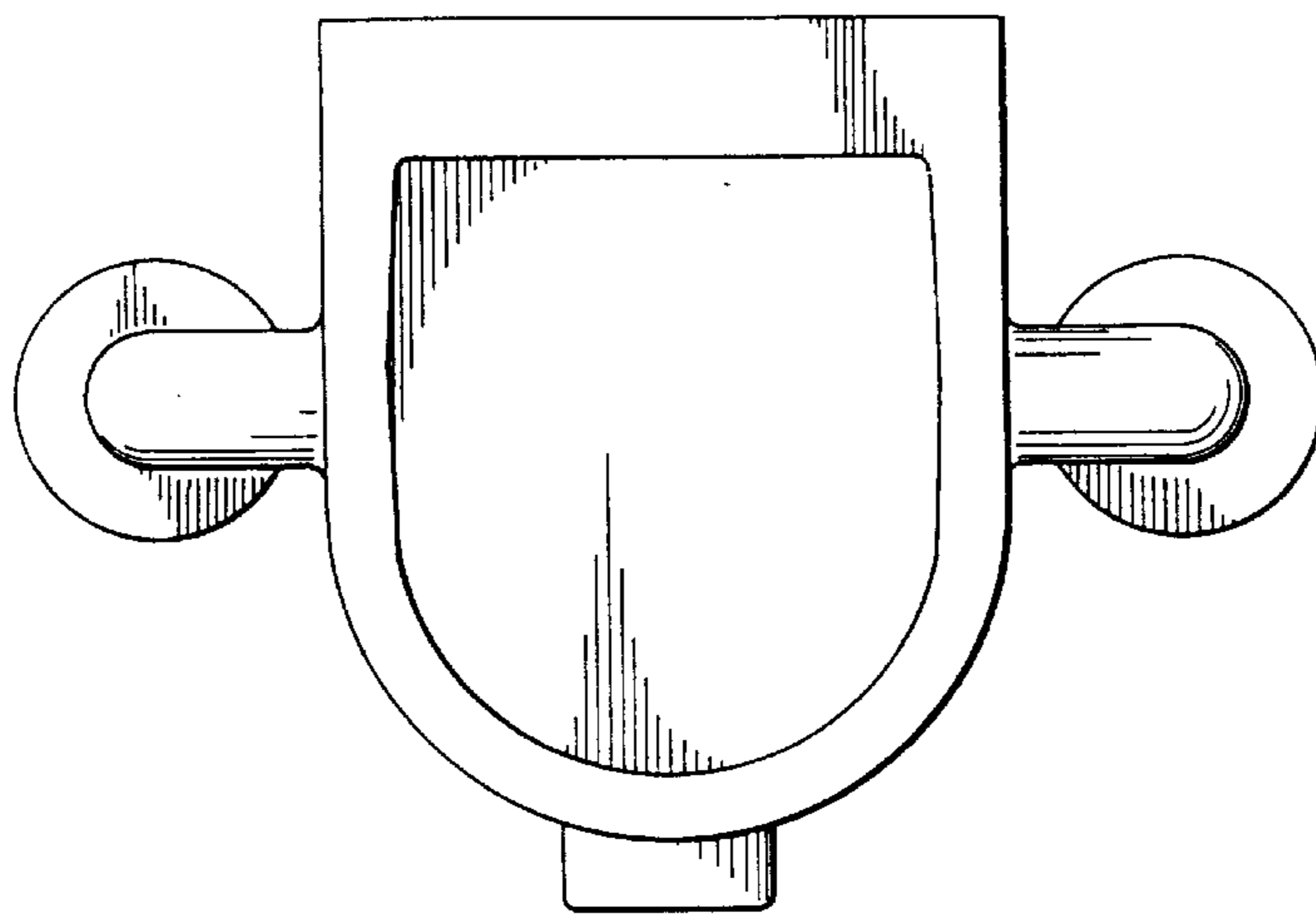


Fig. 6

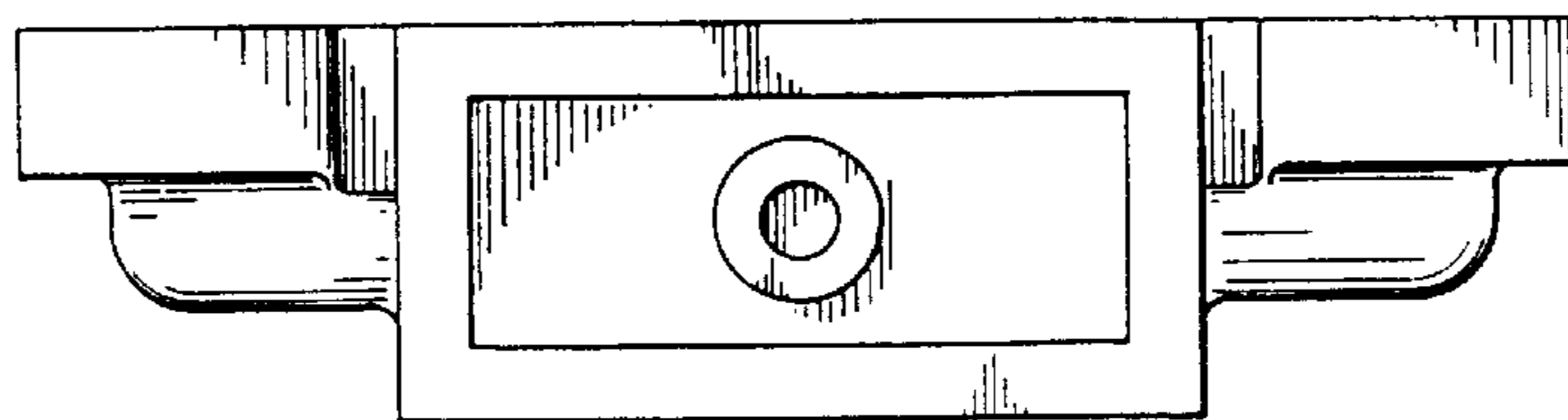


Fig. 7