



US00D395678S

United States Patent [19]

[11] **Patent Number: Des. 395,678**

Treille

[45] **Date of Patent: **Jun. 30, 1998**

[54] **ADVERTISING PANEL**

D. 336,112	6/1993	Miyake et al.	D20/41
4,322,905	4/1982	Kruse	40/606
5,331,757	7/1994	Ernest et al.	40/606

[75] Inventor: **Jean-Patrice Treille**, Paris, France

[73] Assignee: **Avenir France**, Boulogne Billancourt, France

Primary Examiner—Susan J. Lucas
Assistant Examiner—Jennifer Regester
Attorney, Agent, or Firm—Young & Thompson

[**] Term: **14 Years**

[57] **CLAIM**

[21] Appl. No.: **51,963**

The ornamental design for an advertising panel, as shown and described.

[22] Filed: **Mar. 20, 1996**

DESCRIPTION

[51] **LOC (6) Cl.** **20-02**

[52] **U.S. Cl.** **D20/41**

[58] **Field of Search** 40/606, 605, 564,
40/584; D14/113; D20/10, 41

FIG. 1 is a bottom view of the advertising panel;
FIG. 2 is a front view of the advertising panel, the rear view being a mirror image;
FIG. 3 is a side view of the advertising panel, the opposite side being a mirror image;
FIG. 4 is a top view of the advertising panel; and,
FIG. 5 is a front perspective view of the advertising panel.

[56] **References Cited**

U.S. PATENT DOCUMENTS

D. 293,339	12/1987	Evenson	D20/41 X
D. 305,647	1/1990	Kato et al.	D14/113

1 Claim, 2 Drawing Sheets

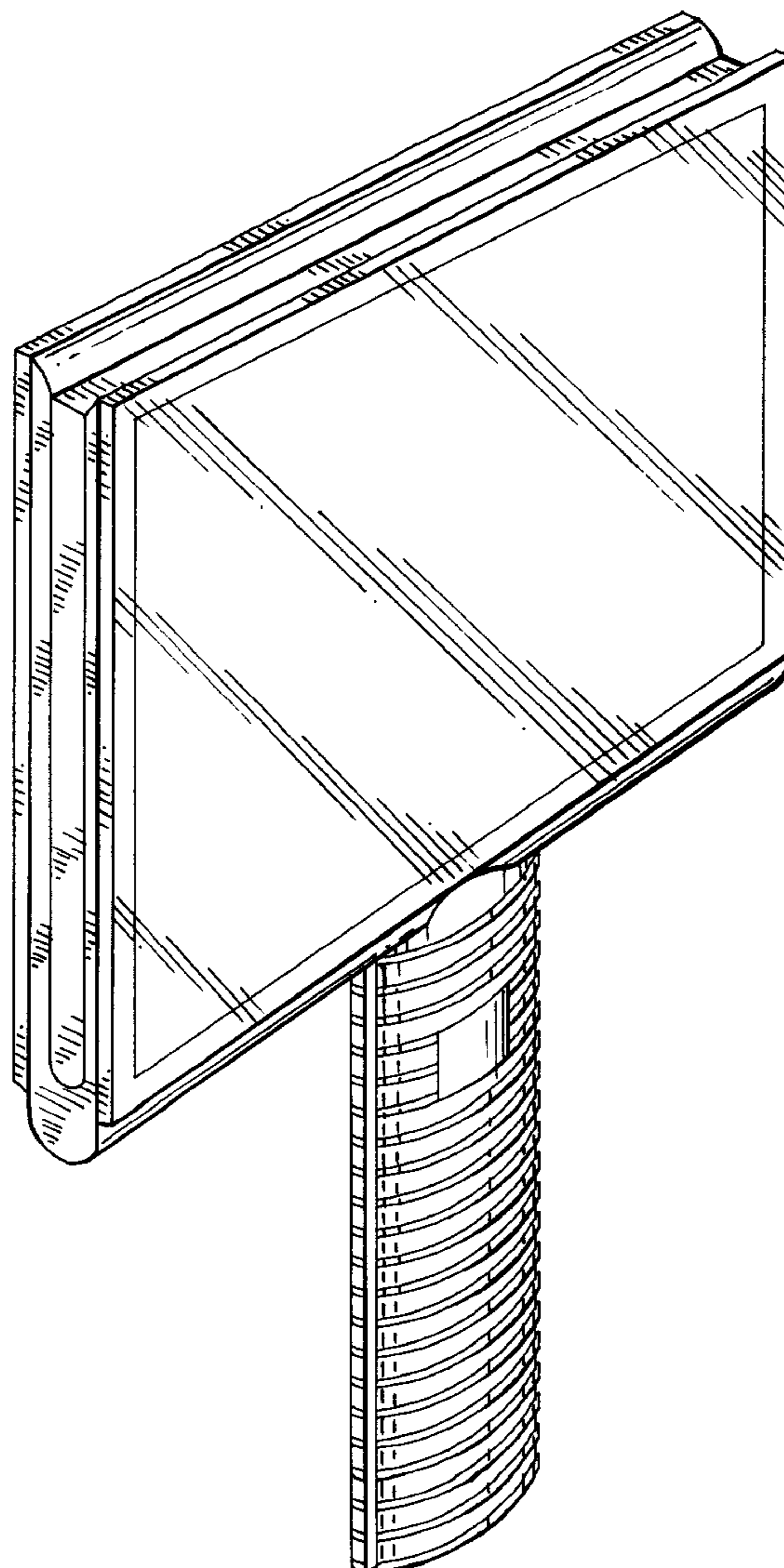




FIG. 1

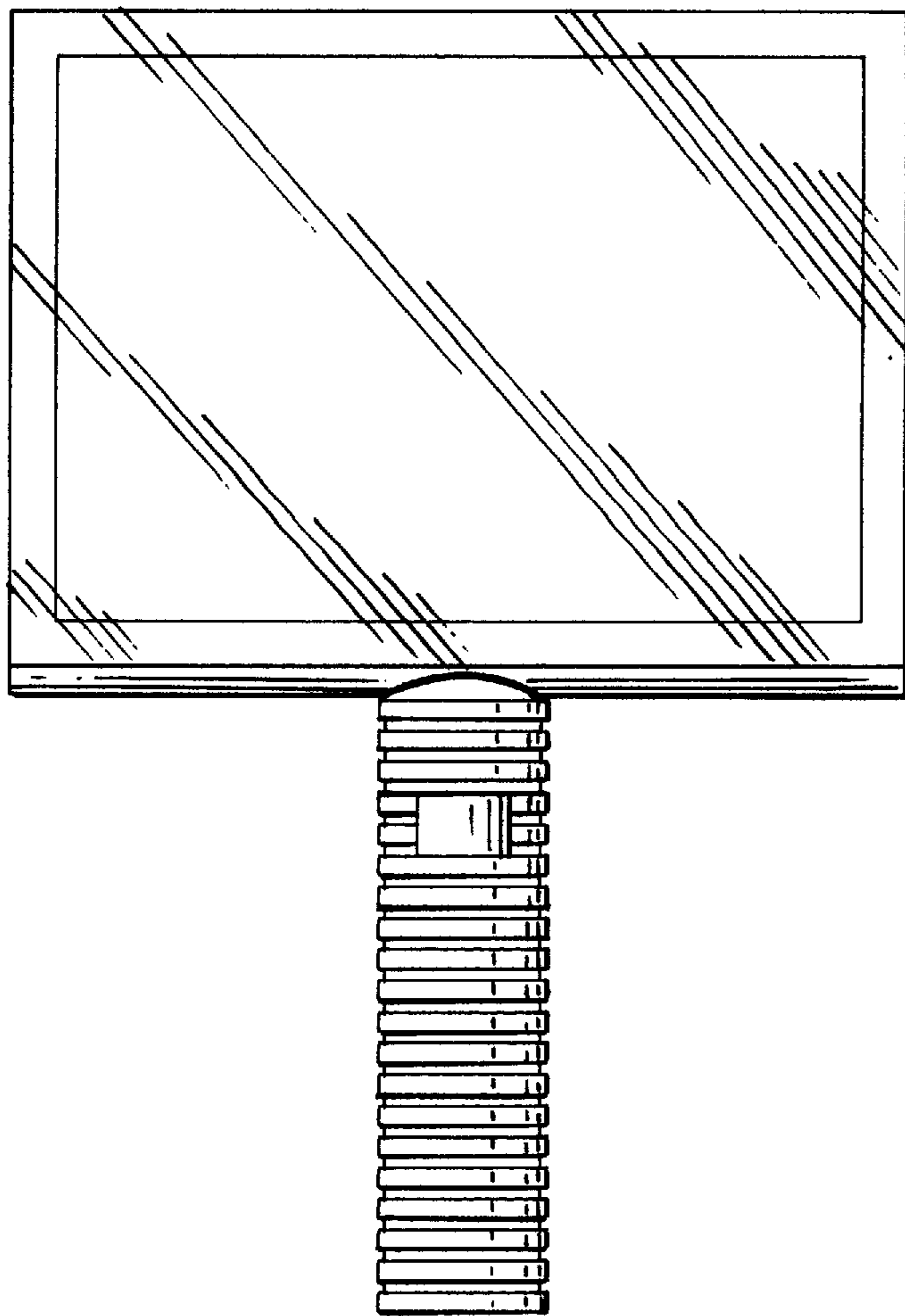


FIG. 2

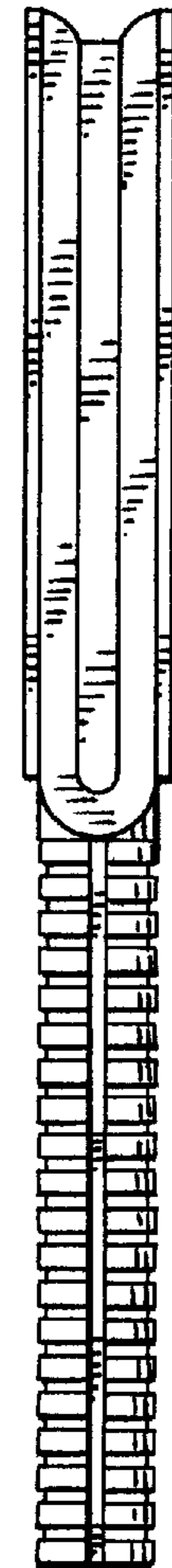


FIG. 3

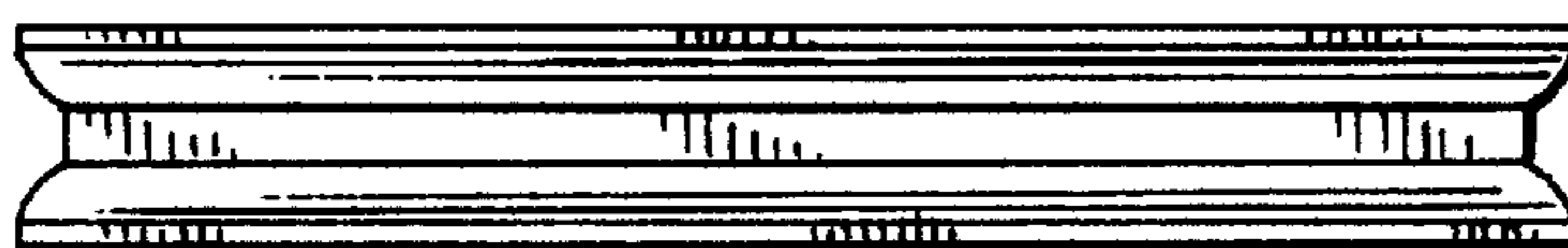


FIG. 4

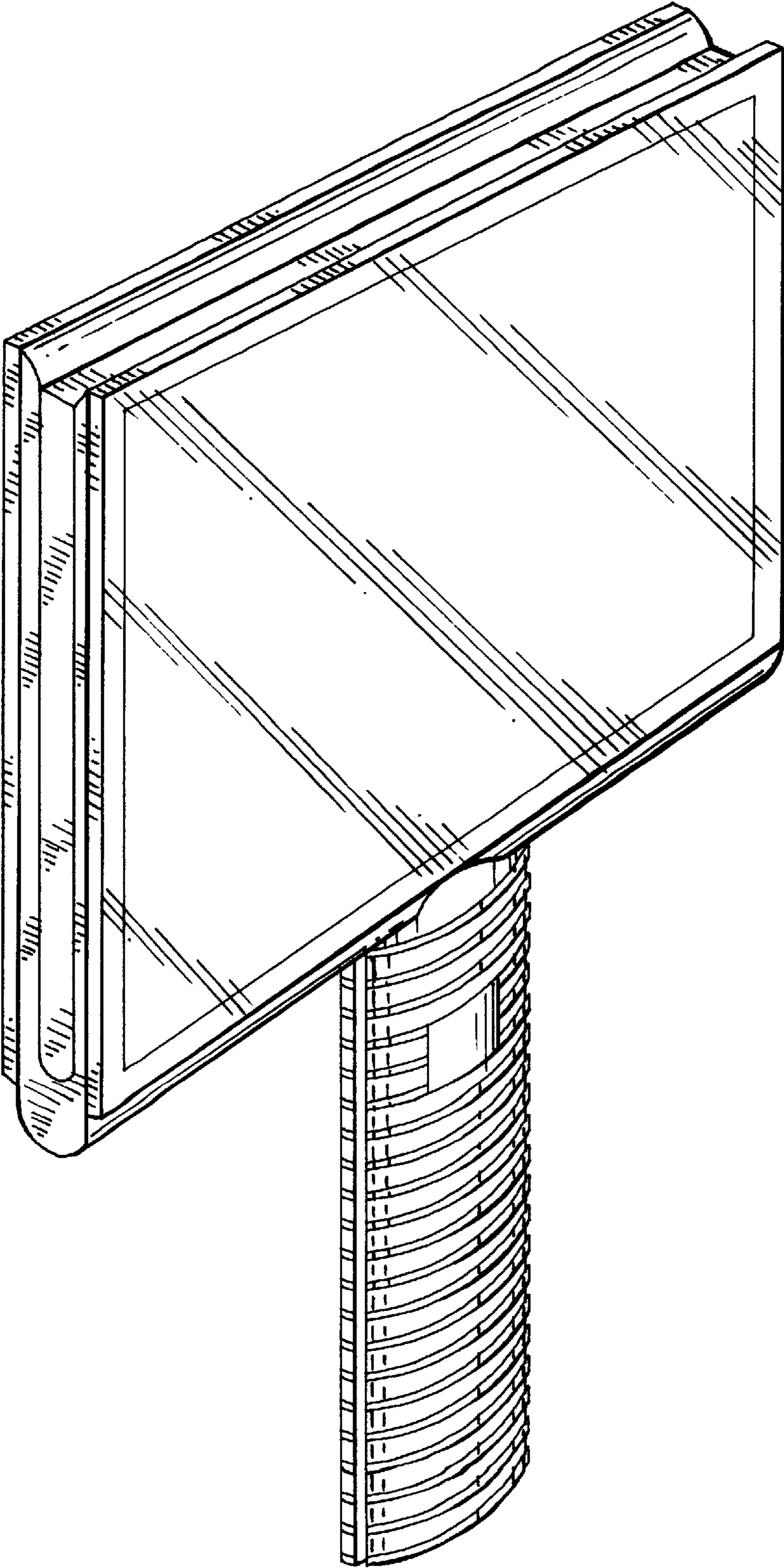


FIG. 5